

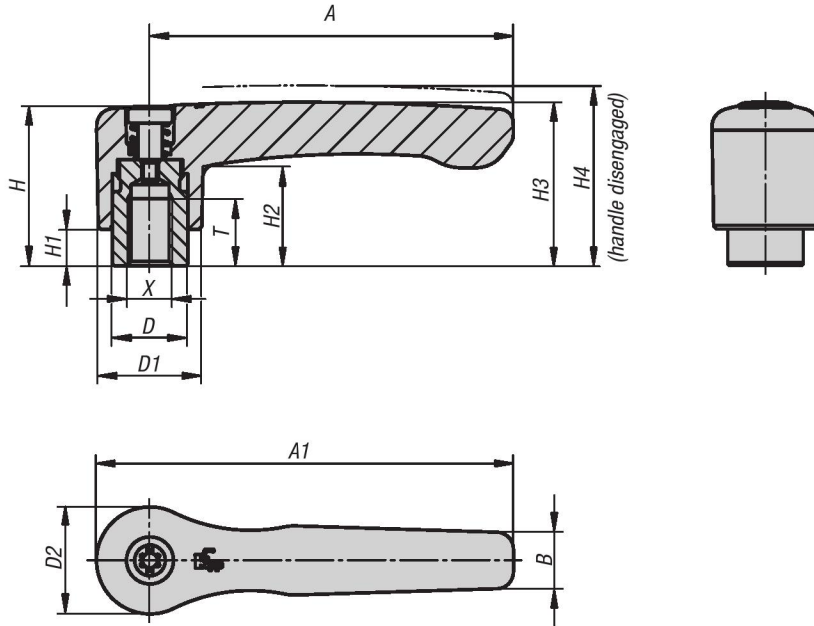


Adjustable Handles straight

inserts and internal components stainless steel, internal thread

INCH Parts METRIC Parts

New Item



Material:
Handle die-cast zinc DIN 12844.
Steel parts stainless steel 1.4305.

Type:
Handle powder-coated,
steel parts natural finish.

Part Number Example:
K0738.2061

Note:
Standard colors are:
black satin finish, orange RAL 2004.

On request:
Other internal threads, colors and special versions.
Dimension "H1" available in other lengths at an additional charge.



KIPP Adjustable Handles straight, internal thread, stainless steel, inch

Item No. black satin finish	Item No. orange	Size	X	T	D	D1	D2	H	H1	H2	H3	H4	A	A1	B	No. of teeth
K0738.2A21	K0738.2A22	2	1/4-20	12	13.5	18.5	19.1	28.5	6.5	17.8	29.2	32.2	65	74.5	10.1	20
K0738.2A31	K0738.2A32	2	5/16-18	12	13.5	18.5	19.1	28.5	6.5	17.8	29.2	32.2	65	74.5	10.1	20
K0738.3A31	K0738.3A32	3	5/16-18	14	16	21.2	22	37	10	23.8	38	42	80	91	11.7	22
K0738.3A41	K0738.3A42	3	3/8-16	14	16	21.2	22	37	10	23.8	38	42	80	91	11.7	22

KIPP Adjustable Handles straight, internal thread, stainless steel, metric

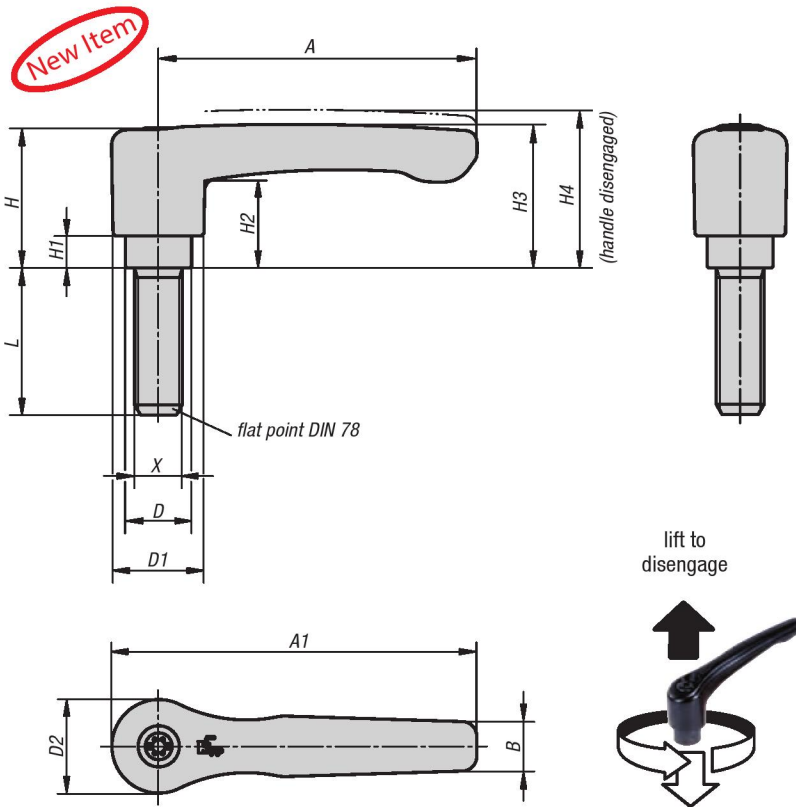
Item No. black satin finish	Item No. orange	Size	X	T	D	D1	D2	H	H1	H2	H3	H4	A	A1	B	No. of teeth
K0738.2061	K0738.2062	2	M6	12	13,5	18,5	19,1	28,5	6,5	17,8	29,2	32,2	65	74,5	10,1	20
K0738.2081	K0738.2082	2	M8	12	13,5	18,5	19,1	28,5	6,5	17,8	29,2	32,2	65	74,5	10,1	20
K0738.3081	K0738.3082	3	M8	14	16	21,2	22	37	10	23,8	38	42	80	91	11,7	22
K0738.3101	K0738.3102	3	M10	14	16	21,2	22	37	10	23,8	38	42	80	91	11,7	22



Adjustable Handles straight

bolts and internal components stainless steel, external thread

INCH Parts METRIC Parts



Material:
Handle die-cast zinc DIN 12844.
Steel parts stainless steel 1.4305.

Type:
Handle powder-coated,
steel parts natural finish.

Part Number Example:
K0738.2061X15 (include length L)

Note:
Standard colors are:
black satin finish, orange RAL 2004.

On request:
Other external threads, screw lengths, colors
and special versions.
Dimension "H1" available in other lengths at
an additional charge.

KIPP Measurements, external thread

Size	X	D	D1	D2	H	H1	H2	H3	H4	A	A1	B	No. of teeth
2	1/4-20 ; 5/16-18 ; 3/8-16	13,5	18,5	19,1	28,5	6,5	17,8	29,2	32,2	65	74,5	10,1	20
3	5/16-18 ; 3/8-16	16	21,2	22	37	10	23,8	38	42	80	91	11,7	22
2	M6 ; M8 ; M10	13,5	18,5	19,1	28,5	6,5	17,8	29,2	32,2	65	74,5	10,1	20
3	M8 ; M10	16	21,2	22	37	10	23,8	38	42	80	91	11,7	22

KIPP Adjustable Handles straight, external thread, stainless steel, inch

Item No. black satin finish	Item No. orange	Size	X	L
K0738.2A21X	K0738.2A22X	2	1/4-20	15/20/25/30/40/50/60
K0738.2A31X	K0738.2A32X	2	5/16-18	15/20/25/30/40/50/60
K0738.2A41X	K0738.2A42X	2	3/8-16	20/25/30/40/50/60
K0738.3A31X	K0738.3A32X	3	5/16-18	20/25/30/40/50/60
K0738.3A41X	K0738.3A42X	3	3/8-16	20/25/30/40/50/60

KIPP Adjustable Handles straight, external thread, stainless steel, metric

Item No. black satin finish	Item No. orange	Size	X	L
K0738.2061X	K0738.2062X	2	M6	15/20/25/30/40/50/60
K0738.2081X	K0738.2082X	2	M8	15/20/25/30/40/50/60
K0738.2101X	K0738.2102X	2	M10	20/25/30/40/50/60
K0738.3081X	K0738.3082X	3	M8	20/25/30/40/50/60
K0738.3101X	K0738.3102X	3	M10	20/25/30/40/50/60