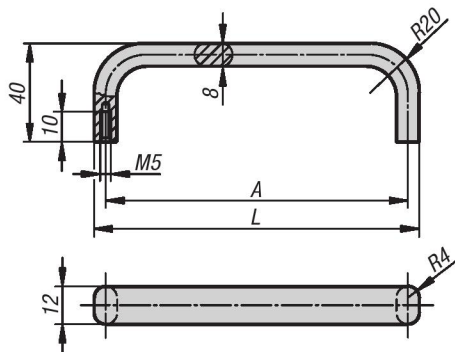




Pull Handles

aluminum

METRIC
Parts **19"**



Material:

Oval aluminum

Type:

Matte, natural color anodized or black anodized

Part Number Example:

K0202.055051

KIPP Pull Handles, aluminum, metric

Item No. black anodized	Item No. natural color anodized	A	L	Load capacity N
K0202.055051	K0202.055053	55	63	500
K0202.088051	K0202.088053	88	96	500
K0202.100051	K0202.100053	100	108	500
K0202.120051	K0202.120053	120	128	500
K0202.180051	K0202.180053	180	188	500
K0202.200051	K0202.200053	200	208	500
K0202.235051	K0202.235053	235	243	500
K0202.250051	K0202.250053	250	258	500