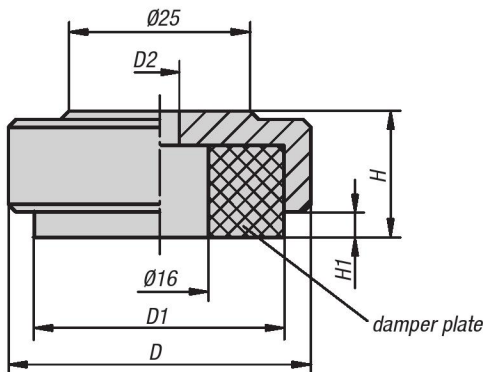


# Locating Feet

with vibration absorption

METRIC  
Parts



**Material:**

Plate steel,  
damper plate PUR elastomere (Sylomer V12)

**Type:**

Plate blue chromate;  
damper plate gray, fixed, cannot slip.  
Range of use from -30 °C to +70 °C

**Part Number Example:**

K0670.046

**Note:**

The load capacity given in the table is a recommendation of the permanent static load up to which the damper plate should be used.

This static load corresponds to a surface pressure of 0.4 N/mm<sup>2</sup>, at which the material reaches its optimum absorption properties. Here it is taken into account that under dynamic loading an additional load, up to 0.6 N/mm<sup>2</sup> may occur.

The damper plate absorbs vibrations and prevents slipping of the locating foot.

## KIPP Locating Feet with vibration absorption, metric

Item No.	D	D1	D2	H	H1	Load capacity
						(under pressure of 0 / 0.4 / 0.6 N/mm <sup>2</sup> ) N
K0670.036	36	30,5	5,5	15	4 / 2,8 / 1,9	212
K0670.046	46	40,5	6,6	17	4 / 2,8 / 1,9	435
K0670.056	56	50	9	19	4 / 2,8 / 1,9	705
K0670.074	74	68	9	21	4 / 2,8 / 1,9	1372