

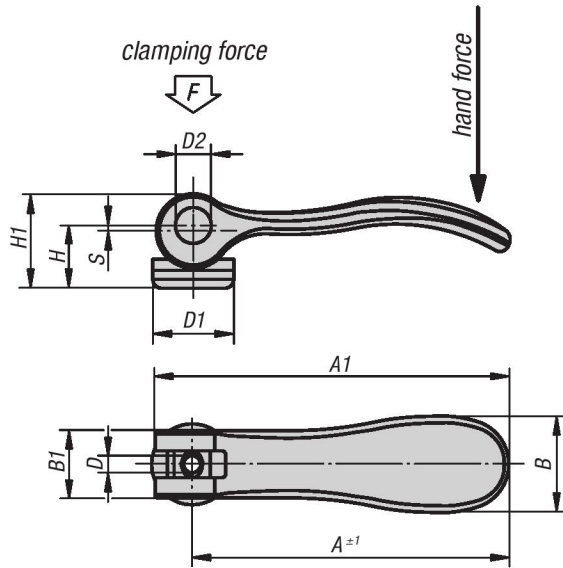


Cam Levers in stainless steel

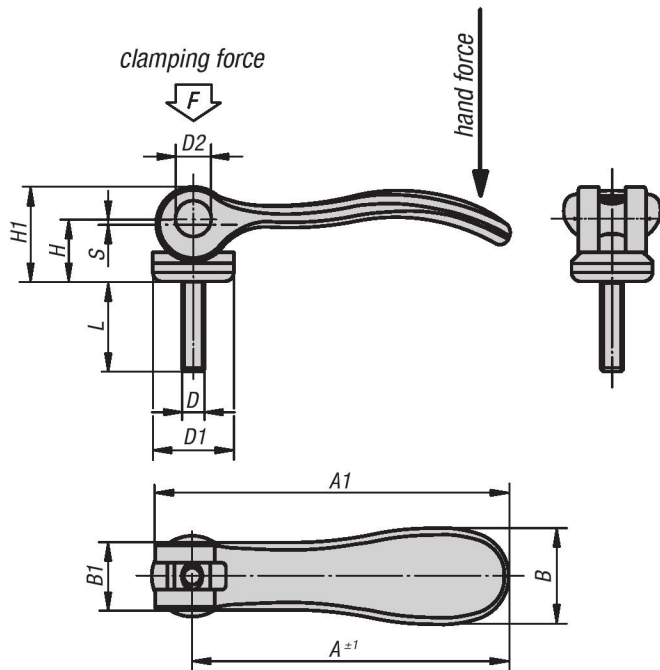
with internal and external thread



Cam Lever with internal thread



Cam Lever with external thread



Material:

Handle 1.4308;
 thrust washer in glass-fibre reinforced plastic PA 66 GF 35-X;
 hinge pin, threaded stud and washer 1.4305

Type:

Handle electrolytic polished;
 thrust washer black;
 hinge pin, threaded stud and washer natural finish

Part Number Example:

K0645.15120A1X20
 (include length L)

Note:

Plastic materials are subject to creep under compression (Retardation).



Cam Levers in stainless steel

with internal and external thread

KIPP Cam Levers in stainless steel with internal thread, inch

Item No.	D	D1	D2	B	B1	H	H1	A	A1	Stroke S	Clamping force F (kN)	Hand force N
K0645.15120A1	10-32	18.1	9	21.5	15	14.5	22	70.4	79.2	1.2	4	120
K0645.15120A2	1/4-20	18.1	9	21.5	15	14.5	22	70.4	79.2	1.2	4	120
K0645.25120A3	5/16-18	27.1	11	33.3	24	18	28.5	96	108	1.5	8	350

KIPP Cam Levers in stainless steel with external thread, inch

Item No.	D	D1	D2	B	B1	H	H1	A	A1	Stroke S	L	Clamping force F (kN)	Hand force N
K0645.15120A1X	10-32	18.1	9	21.5	15	14.5	22	70.4	79.2	1.2	20/30/40/50	4	120
K0645.15120A2X	1/4-20	18.1	9	21.5	15	14.5	22	70.4	79.2	1.2	20/30/40/50	4	120
K0645.25120A3X	5/16-18	27.1	11	33.3	24	18	28.5	96	108	1.5	25/30/40/50	8	350
K0645.25120A4X	3/8-16	27.1	11	33.3	24	18	28.5	96	108	1.5	25/30/40/50	8	350

KIPP Cam Levers in stainless steel with internal thread, metric

Item No.	D	D1	D2	B	B1	H	H1	A	A1	Stroke S	Clamping force F (kN)	Hand force N
K0645.1512005	M5	18,1	9	21,5	15	14,5	22	70,4	79,2	1,2	4	120
K0645.1512006	M6	18,1	9	21,5	15	14,5	22	70,4	79,2	1,2	4	120
K0645.2512008	M8	27,1	11	33,3	24	18	28,5	96	108	1,5	8	350

KIPP Cam Levers in stainless steel with external thread, metric

Item No.	D	D1	D2	B	B1	H	H1	A	A1	Stroke S	L	Clamping force F (kN)	Hand force N
K0645.1512005X	M5	18,1	9	21,5	15	14,5	22	70,4	79,5	1,2	20/30/40/50	4	120
K0645.1512006X	M6	18,1	9	21,5	15	14,5	22	70,4	79,5	1,2	20/30/40/50	4	120
K0645.2512008X	M8	27,1	11	33,3	24	18	28,5	96	108	1,5	25/30/40/50	8	350
K0645.2512010X	M10	27,1	11	33,3	24	18	28,5	96	108	1,5	25/30/40/50	8	350