

Quarter-turn locks, compression latches



K0518

Quarter-turn locks

small version



Material:

Housing and actuator die-cast zinc.
Tongue steel.

Version:

Housing and actuator chrome-plated.
Wing-handle version powder-coated.
Tongue galvanized.

Sample order:

Quarter turn lock K0518.16131
Tongue K0519.125X075

Note:

Small quarter turn lock with spring-loaded tongue.
Right or left deployment. The lock can be installed pre-assembled. The fastening nut is an earthing nut with teeth one side.

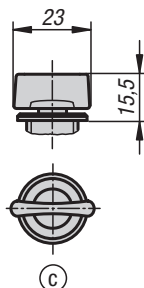
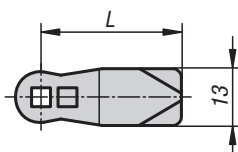
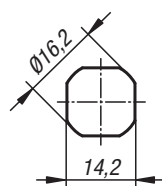
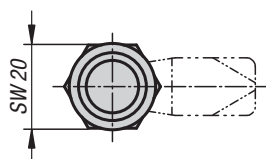
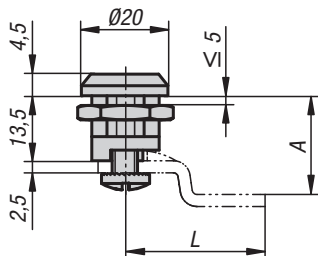
Please order the desired tongue type separately.
Every tongue can be combined with every housing.

Accessories:

Key K0535

Drawing reference:

- Actuation:
a) square 6 mm
b) slot
c) wing grip



KIPP Quarter-turn locks small version

Order No.	Actuation
K0518.16131	square 6 mm
K0518.20131	slot
K0518.30132	grip

KIPP Tongue for quarter-turn locks

Order No.	A	L
K0519.125X075	7,5	25
K0519.125X135	13,5	25
K0519.125X195	19,5	25

K0520

Quarter-turn locks

with cylinder, small version



Material:

Housing and actuator die-cast zinc.
Tongue steel.
Key nickel silver.

Version:

Housing and actuator chrome-plated.
Tongue galvanized.

Sample order:

Quarter turn lock with cylinder K0520.131
Tongue K0521.128X105

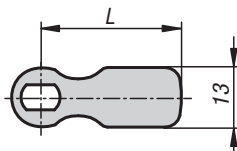
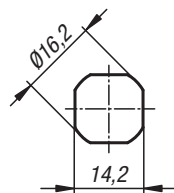
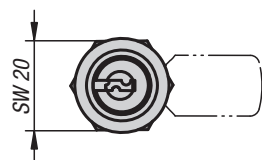
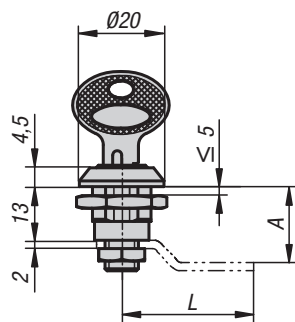
Note:

Small quarter turn with cylinder, deployable right or left. The lock can be installed pre-assembled. The fastening nut is an earthing nut with teeth one side. These quarter turns with cylinder are supplied with 2 keys. The key can be removed in both positions (open and closed). All cylinders are identical i.e. all locks can be opened with the same key.

Please order the desired tongue type separately.

On request:

Non-identical cylinders.



KIPP Quarter-turn locks with cylinder, small version

Order No.	Actuation
K0520.131	key

KIPP Tongue for quarter-turn locks

Order No.	A	L
K0521.128X105	10	28
K0521.124X135	13	24
K0521.131X135	13	31
K0521.136X135	13	36
K0521.130X165	16	30
K0521.126X205	20	26

K0522

Quarter-turn locks



Material:
 Housing, actuator and nut, die-cast zinc or PA6 GFR 30 plastic.
 Flat seal rubber.
 Tongue steel.

Version:
 Housing, actuator and nut chrome-plated or black.
 Tongue galvanized.

Sample order:
 Quarter-turn lock K0522.17181
 Tongue K0523.145X045
 (include tongue gap "A")

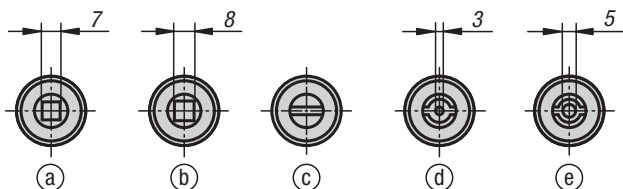
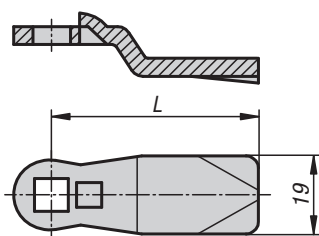
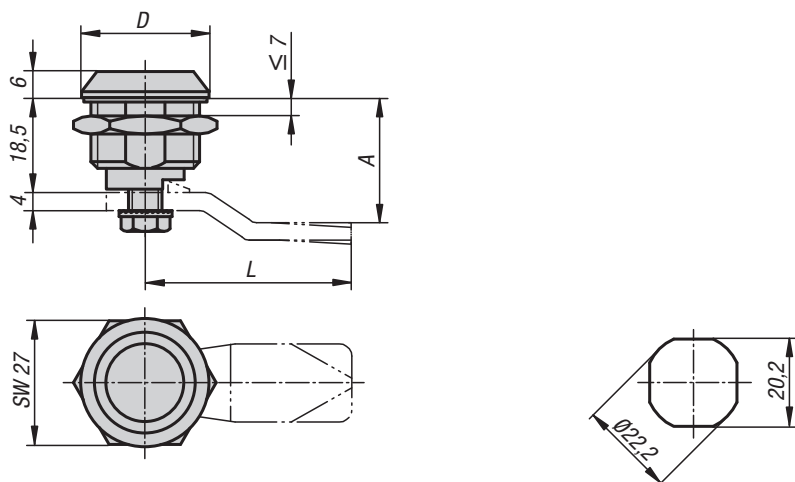
Note:
 Quarter-turn lock with spring-loaded tongue. Right or left deployment. The lock can be installed pre-assembled. The fastening nut is an earthing nut with teeth one side.

Vibration-proof (except plastic version), a catch prevents independent opening. Water and dust tight according to IP65.

Please order the desired tongue type separately. Every tongue can be combined with every housing.

Accessories:
 Key K0535

Drawing reference:
 Actuation:
 a) square 7 mm
 b) square 8 mm
 c) slot
 d) double lug 3 mm
 e) double lug 5 mm



KIPP Quarter-turn lock

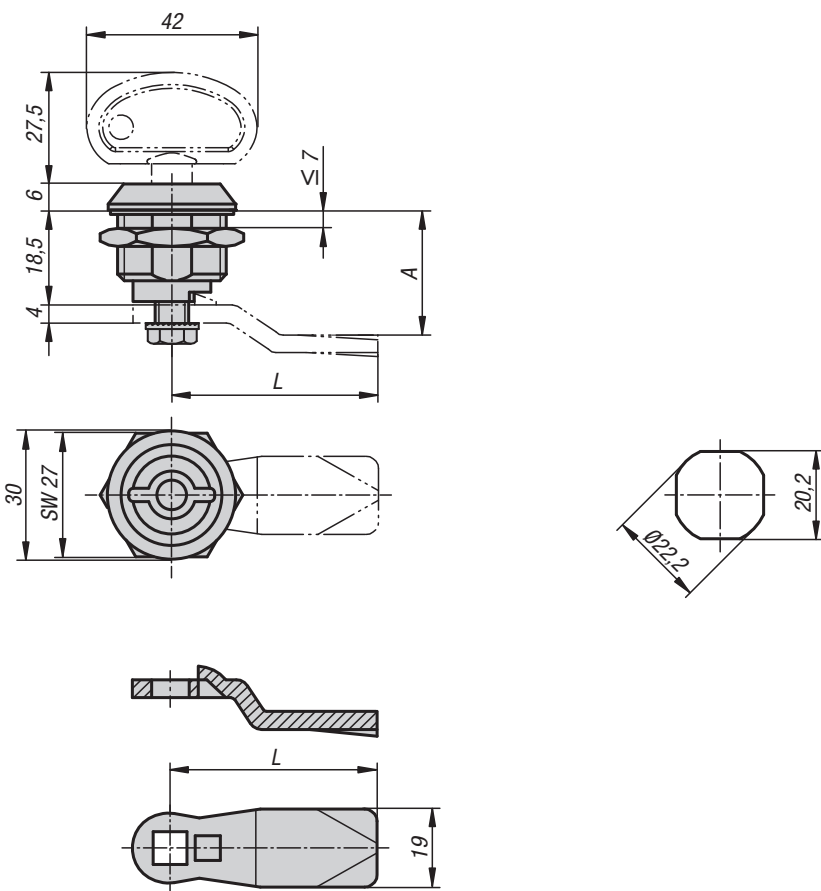
Order No. zinc	Order No. plastic	D	Actuation
K0522.17181	-	30	square 7 mm
K0522.18181	-	30	square 8 mm
K0522.20181	K0522.20185	30/28	slot
K0522.43181	K0522.43185	30/28	double lug 3 mm
K0522.45181	K0522.45185	30/28	double lug 5 mm

KIPP Tongue for quarter-turn lock

Order No.	A	L
K0523.135X	16,5/18,5/20,5/22,5/24,5	35
K0523.145X	4,5/6,5/8,5/10,5/12,5/14,5/16,5/18,5/20,5/21,5/22,5/24,5/26,5/28,5/30,5/32,5/34,5/36,5/38,5/40,5/42,5	45

K0524

Quarter-turn security locks



Material:
 Housing, actuator, nut and key die-cast zinc.
 Flat seal rubber.
 Tongue steel.

Version:
 Housing and actuator chrome-plated or black powder-coated.
 Tongue galvanized.
 Key chrome-plated.

Sample order:
 Security quarter turn lock K0524.181
 Tongue K0523.145X045 (include tongue gap "A")
 Key K0524.9

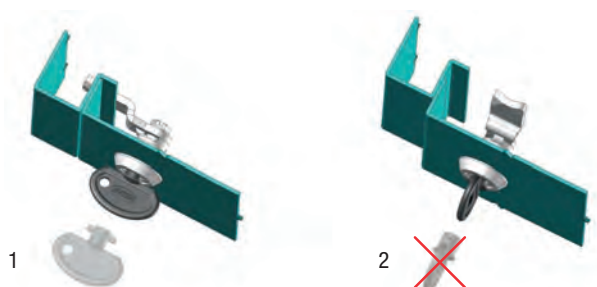
Note:
 Security quarter turn lock with spring-loaded tongue.
 Right or left deployment. The lock can be installed pre-assembled. The fastening nut is an earthing nut with teeth one side.

Water and dust tight according to IP65.

Please order key separately. Lock can only be opened and closed with a specific key. The key can only be removed in the closed position. With an open lock the key acts as a grip.

Please order the desired tongue type separately. Every tongue can be combined with every housing.

Drawing reference:
 1) Key can be pulled out when locked
 2) Key cannot be pulled out when open



KIPP Quarter-turn lock security

Order No. chromed	Order No. black powder-coated	Actuation	Order No Key
K0524.181	K0524.182	key	K0524.9

KIPP Tongue for quarter-turn lock

Order No.	A	L
K0523.135X	16,5/18,5/20,5/22,5/24,5	35
K0523.145X	4,5/6,5/8,5/10,5/12,5/14,5/16,5/18,5/20,5/21,5/22,5/24,5/26,5/28,5/30,5/32,5/34,5/36,5/38,5/40,5/42,5	45

K0525

Quarter-turn locks

with wing grip



Material:

Housing and nut die-cast zinc.
Grip plastic PA6 GF 30.
Flat seal rubber.
Tongue steel.

Version:

Housing and nut chrome-plated.
Grip black.
Tongue galvanized.

Sample order:

Quarter-turn lock K0525.1183
Tongue K0523.145X045 (include tongue gap "A")

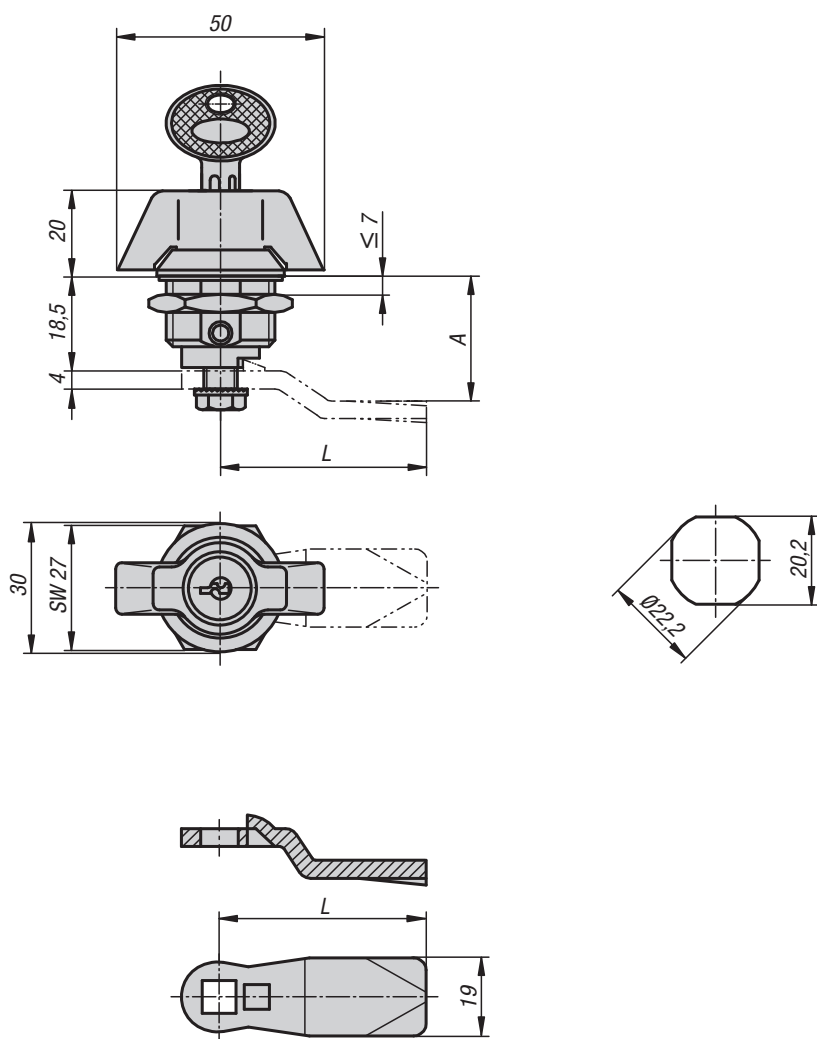
Note:

Quarter-turn lock with wing grip. Right or left deployment. The lock can be installed pre-assembled. The fastening nut is an earthing nut with teeth one side.

Water and dust tight according to IP65.

The cylinder locks are supplied with 2 keys. The key can be removed in both positions (open and closed). All cylinders are identical i.e. all locks can be opened with the same key (Euro key 5333).

Please order the desired tongue type separately. Every tongue can be combined with every housing.



KIPP Quarter-turn lock with wing grip

Order No.	Actuation
K0525.1183	grip
K0525.2183	lockable grip

KIPP Tongue for quarter-turn lock

Order No.	A	L
K0523.135X	16,5/18,5/20,5/22,5/24,5	35
K0523.145X	4,5/6,5/8,5/10,5/12,5/14,5/16,5/18,5/20,5/21,5/22,5/24,5/26,5/28,5/30,5/32,5/34,5/36,5/38,5/40,5/42,5	45

K0526

Quarter-turn locks

with T-grip



Material:
 Housing and nut die-cast zinc.
 T-grip plastic PA6 GF 30.
 Flat seal rubber.
 Tongue steel.

Version:
 Housing and nut chrome-plated.
 T-grip black.
 Tongue galvanized.

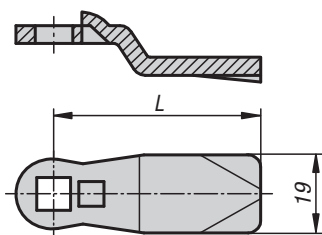
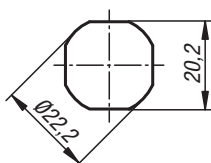
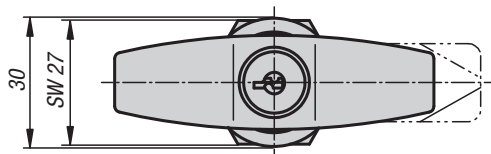
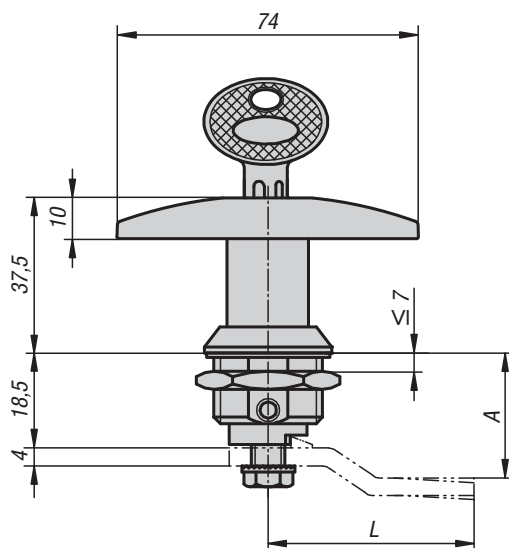
Sample order:
 Quarter-turn lock K0526.1183
 Tongue K0523.145X045
 (include tongue gap "A")

Note:
 Quarter-turn lock with T-grip. Right or left deployment.
 The lock can be installed pre-assembled. The fastening nut is an earthing nut with teeth one side.

Water and dust tight according to IP65.

The cylinder locks are supplied with 2 keys. The key can be removed in both positions (open and closed). All cylinders are identical i.e. all locks can be opened with the same key (Euro key 5333).

Please order the desired tongue type separately. Every tongue can be combined with every housing.



KIPP Quarter-turn lock with T-grip

Order No.	Actuation
K0526.1183	T-Grip
K0526.2183	lockable T-grip

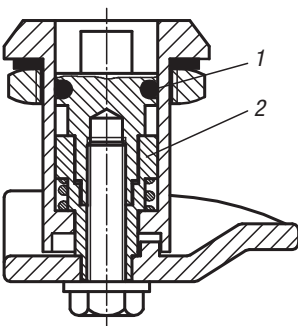
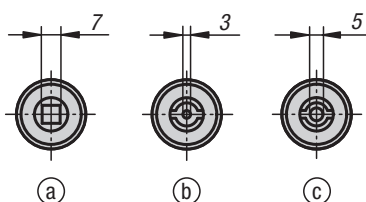
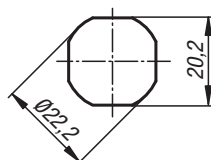
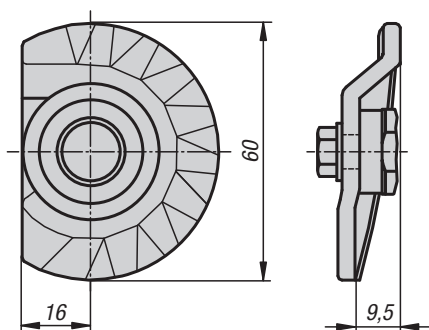
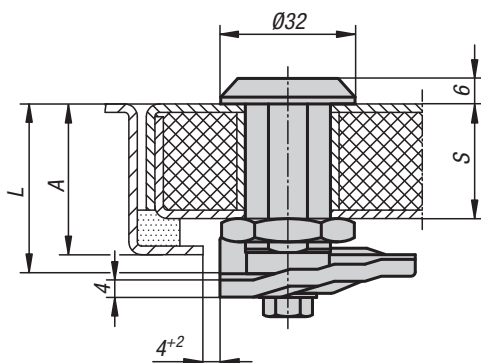
KIPP Tongue for quarter-turn lock

Order No.	A	L
K0523.135X	16,5/18,5/20,5/22,5/24,5	35
K0523.145X	4,5/6,5/8,5/10,5/12,5/14,5/16,5/18,5/20,5/21,5/22,5/24,5/26,5/28,5/30,5/32,5/34,5/36,5/38,5/40,5/42,5	45

K0527

Compression latches

with stepped cam



Material:

Housing, actuator, nut and cam die-cast zinc.
Flat seal rubber.

Version:

Housing, actuator, nut and cam, chrome-plated.

Sample order:

Compression latch K0527.17301

Note:

Compression latches with stepped cam are primarily used for doors and housings that require a high pressure on the seal. Right or left deployment. The locking direction is always clockwise. By turning the actuator to the right the door can be pulled incrementally into the frame by up to 9.5 mm at a maximum rotation of 270°.

The fastening nut is an earthing nut with teeth one side.

Water and dust tight according to IP65.

Accessories:

Key K0535

Drawing reference:

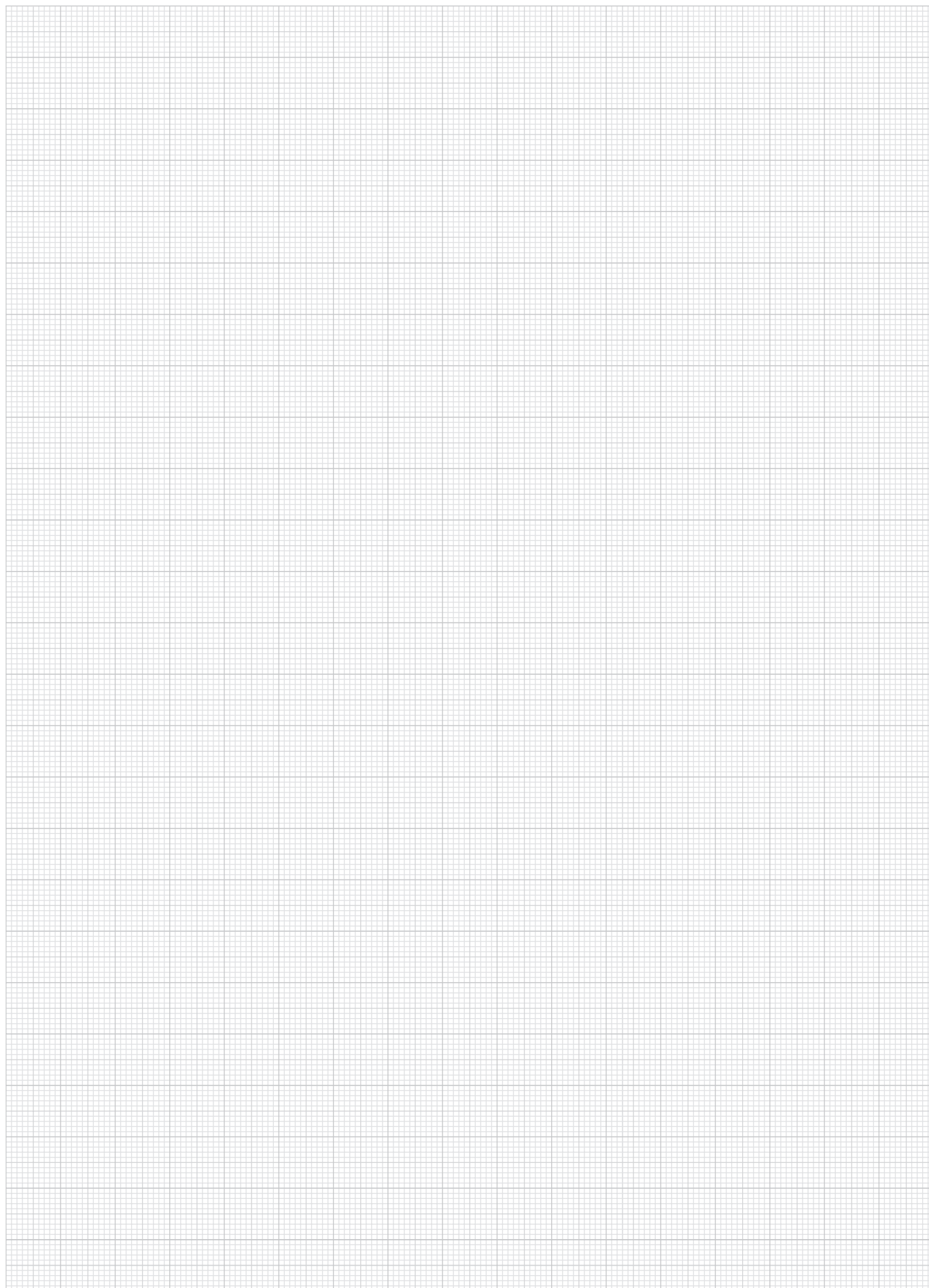
- Actuation:
a) square 7 mm
b) double lug 3 mm
c) double lug 5 mm

- 1) O-ring
2) Adapter

KIPP Compression latches with stepped cam

Order No. square 7 mm	Order No. double lug 3 mm	Order No. double lug 5 mm	A	L	S max.
K0527.17301	K0527.43301	K0527.45301	30 -9,5	30	20
K0527.17401	K0527.43401	K0527.45401	40 -9,5	40	30
K0527.17501	K0527.43501	K0527.45501	50 -9,5	50	40
K0527.17601	K0527.43601	K0527.45601	60 -9,5	60	50

Notes



K1113

Quarter-turn locks

long version



Material:

Housing and actuator die-cast zinc.
Tongue steel.

Version:

Housing and actuator chrome-plated.
Tongue galvanized.

Sample order:

Quarter turn lock K1113.18301
Tongue K1114.145X040

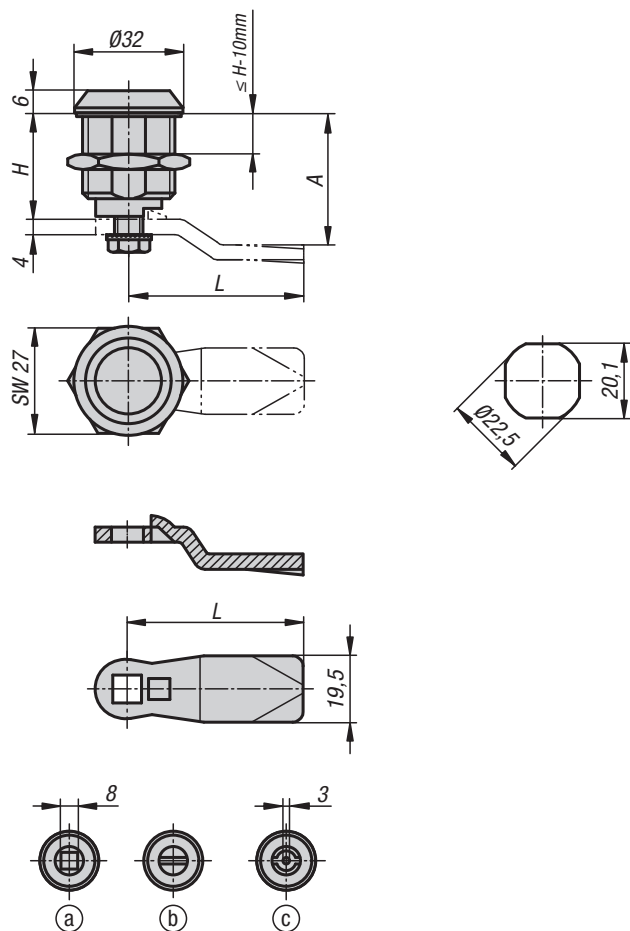
Note:

Rating IP65. This is achieved using an additional O-ring underneath the actuator and a flat seal attached to the housing. The quarter-turn lock can be installed pre-assembled. Please order the required tongue separately. Every tongue can be combined with this housing.

Drawing reference:

Actuation:

- a) square 8 mm
- b) slot
- c) double lug 3 mm



Quarter-turn locks

long version



KIPP Quarter-turn lock long design

Order No.	H	Actuation
K1113.18301	30	square 8 mm
K1113.40301	30	double lug 3 mm
K1113.20301	30	slot
K1113.18401	40	square 8 mm
K1113.40401	40	double lug 3 mm
K1113.20401	40	slot
K1113.18501	50	square 8 mm
K1113.40501	50	double lug 3 mm
K1113.20501	50	slot

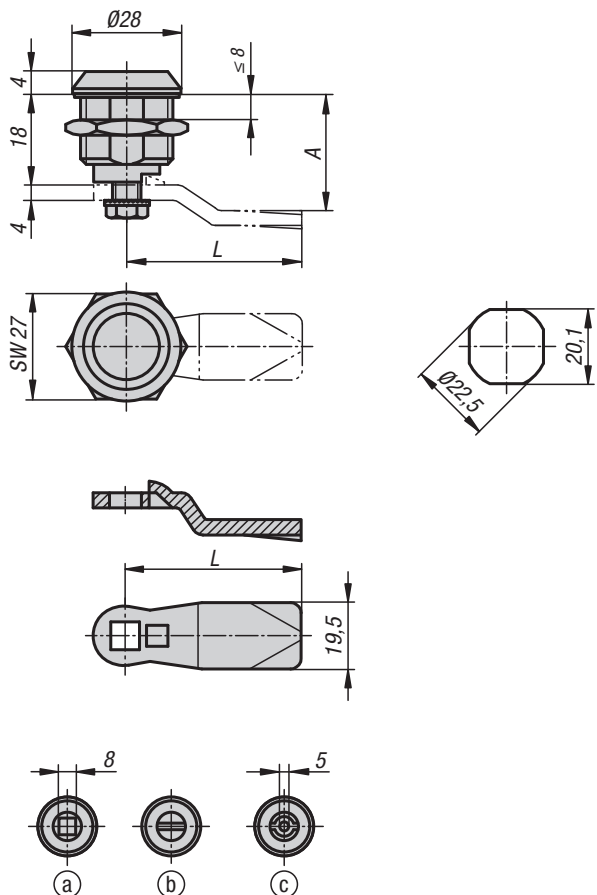
KIPP Tongue for quarter-turn lock

Order No.	A for housing length H=30	A for housing length H=40	A for housing length H=50	L
K1114.145X040	16	26	36	45
K1114.145X060	18	28	38	45
K1114.145X080	20	30	40	45
K1114.145X100	22	32	42	45
K1114.145X120	24	34	44	45
K1114.145X140	26	36	46	45
K1114.145X160	28	38	48	45
K1114.145X180	30	40	50	45
K1114.145X200	32	42	52	45
K1114.145X220	34	44	54	45
K1114.145X240	36	46	56	45
K1114.145X260	38	48	58	45
K1114.145X280	40	50	60	45
K1114.145X300	42	52	62	45
K1114.145X320	44	54	64	45
K1114.145X340	46	56	66	45
K1114.145X360	48	58	68	45
K1114.145X380	50	60	70	45
K1114.145X400	52	62	72	45
K1114.145X420	54	64	74	45

K1106

Quarter-turn locks

stainless steel



Material:
 Quarter-turn lock 1.4305 stainless steel.
 Tongue 1.4301 stainless steel.

Version:
 Bright.

Sample order:
 Quarter turn lock K1106.40186
 Tongue K1114.245X180

Note:
 Rating IP65. This is achieved using an additional O-ring underneath the actuator and a PUR seal foamed onto the housing. The quarter-turn lock can be installed pre-assembled. Please order the required tongue separately. Every tongue can be combined with this housing.

Drawing reference:
 Actuation:
 a) square 8 mm
 b) slot
 c) double lug 5 mm

KIPP Quarter-turn locks, stainless steel

Order No.	Actuation
K1106.40186	double lug 5 mm
K1106.20186	slot
K1106.18186	square 8 mm

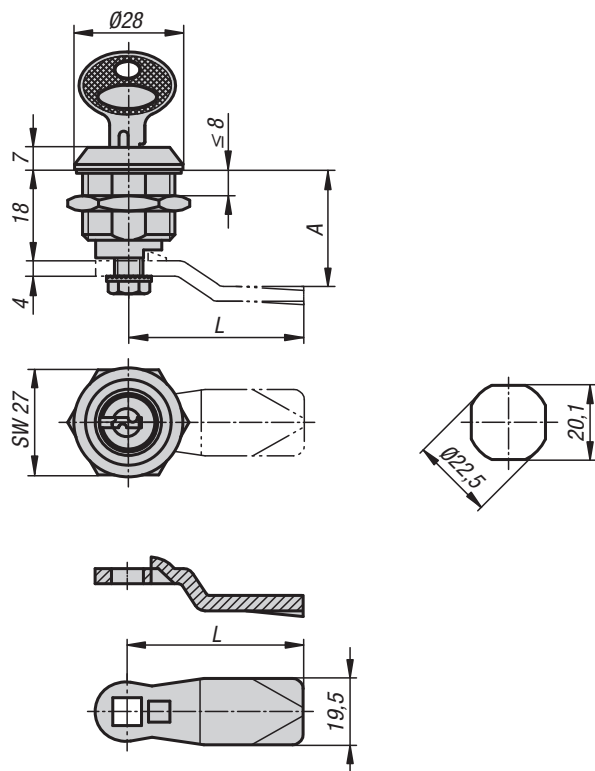
KIPP Tongue for quarter-turn lock

Order No.	A for housing length H=18	L
K1114.245X180	18	45
K1114.245X200	20	45
K1114.245X240	24	45
K1114.245X280	28	45
K1114.245X320	32	45
K1114.245X340	34	45
K1114.245X360	36	45
K1114.245X380	38	45
K1114.245X400	40	45
K1114.245X420	42	45

K1107

Quarter-turn locks

lockable, stainless steel

**Material:**Quarter-turn lock 1.4401 stainless steel.
Tongue 1.4301 stainless steel.**Version:**

Bright.

Sample order:Quarter turn lock K1107.186
Tongue K1114.245X180**Note:**

Lockable quarter-turn lock for right or left mounting with 90° closing. The quarter-turn lock can be installed pre-assembled. Please order required tongue separately. Every tongue can be combined with this housing.

These lockable quarter-turn locks are each supplied with 2 keys. The key can be removed in both the closed and open position. The cylinder locks have a single-key system i.e. the same key works in all locks.

KIPP Quarter-turn lock, lockable, stainless steel

Order No.	Actuation
K1107.186	key

KIPP Tongue for quarter-turn lock

Bestellnummer	A bei Gehäuselänge H=18	L
K1114.245X180	18	45
K1114.245X200	20	45
K1114.245X240	24	45
K1114.245X280	28	45
K1114.245X320	32	45
K1114.245X340	34	45
K1114.245X360	36	45
K1114.245X380	38	45
K1114.245X400	40	45
K1114.245X420	42	45

K1108

Quarter-turn locks

stainless steel with wing grip



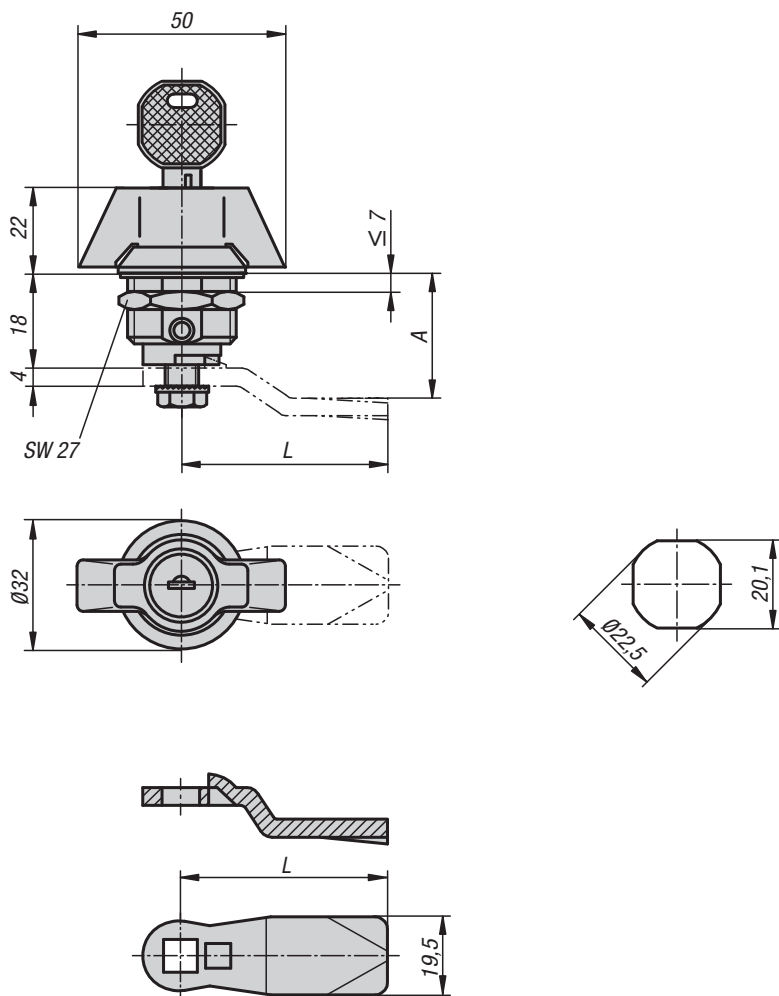
Material:
 Quarter-turn lock 1.4401 stainless steel.
 Tongue 1.4301 stainless steel.

Version:
 Bright.

Sample order:
 Quarter turn lock K1108.1186
 Tongue K1114.245X180

Note:
 Quarter-turn lock with wing grip. For right or left mounting with 90° closing. The quarter-turn lock can be installed pre-assembled. Supplied with standard stainless-steel nut. The lockable quarter-turn locks are each supplied with 2 keys. Please order the required tongue separately. Every tongue can be combined with this housing.

The key can be removed in both the closed and open position. The cylinder locks have a single-key system i.e. the same key works in all locks.



KIPP Quarter-turn lock, stainless steel with wing grip

Order No.	Actuation
K1108.1186	grip
K1108.2186	lockable grip

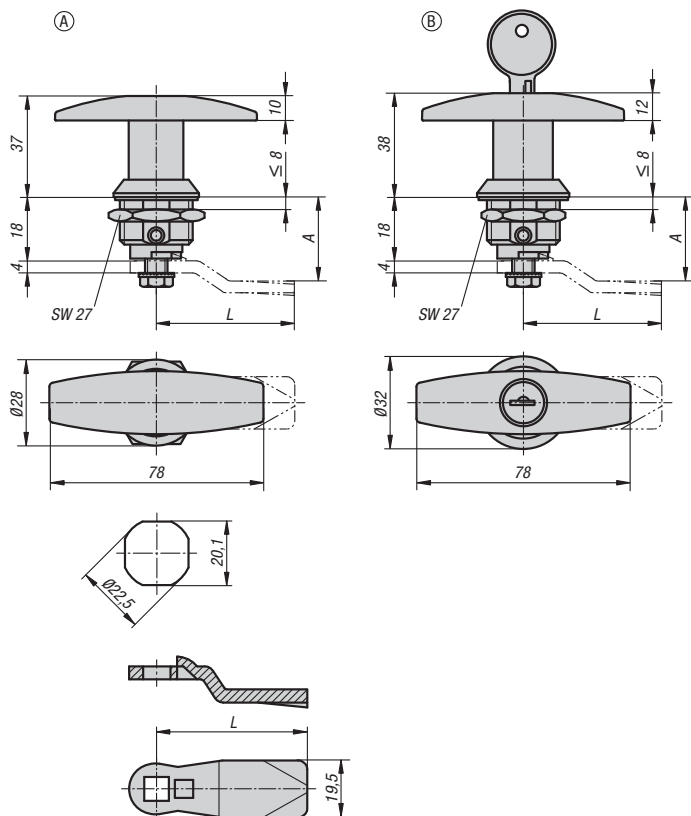
KIPP Tongue for quarter-turn lock

Order No.	A for housing length H=18	L
K1114.245X180	18	45
K1114.245X200	20	45
K1114.245X240	24	45
K1114.245X280	28	45
K1114.245X320	32	45
K1114.245X340	34	45
K1114.245X360	36	45
K1114.245X380	38	45
K1114.245X400	40	45
K1114.245X420	42	45

K1109

Quarter-turn locks

stainless steel with T-grip



Material:

Grip 1.4301 stainless steel.
Housing and nut 1.4305 stainless steel.
Tongue 1.4301 stainless steel.

Version:

Bright.

Sample order:

Quarter turn lock K1109.1186
Tongue K1114.245X180

Note:

Quarter-turn lock with T-grip. For right or left mounting with 90° closing. The quarter-turn lock can be installed pre-assembled. Supplied with standard stainless-steel nut. The lockable quarter-turn locks are each supplied with 2 keys. Rating IP65. Please order required tongue version separately. Every tongue can be combined with this housing.

The key can be removed in both the closed and open position. The cylinder locks have a single-key system i.e. the same key works in all locks.

KIPP Quarter-turn lock, stainless steel with T-grip

Order No.	Form	Actuation
K1109.1186	A	T-Grip
K1109.2186	B	lockable T-grip

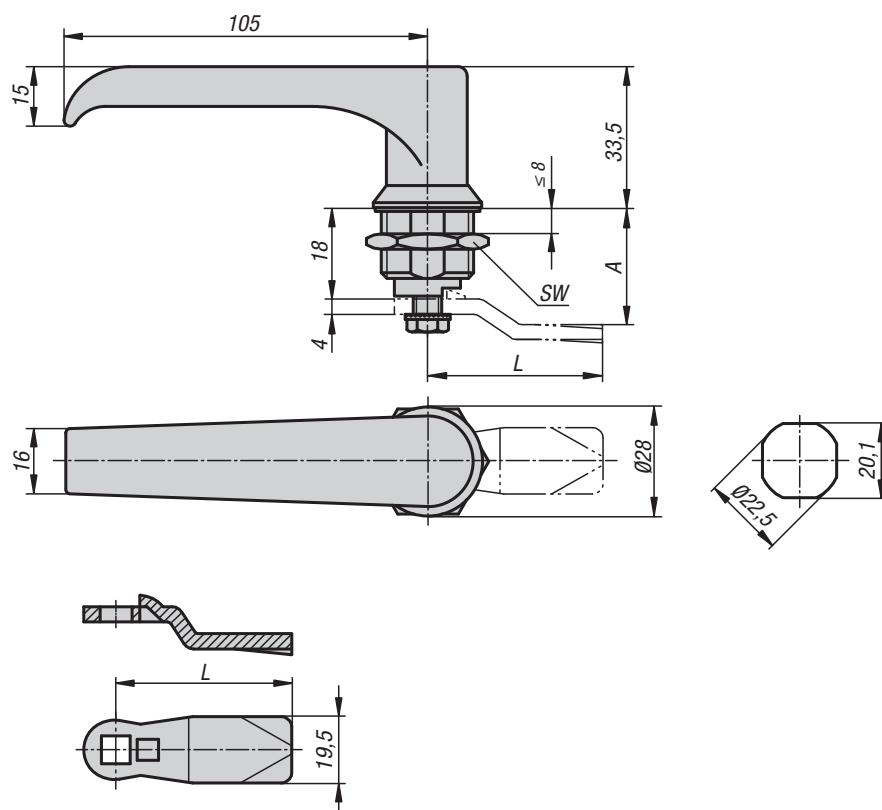
KIPP Tongue for quarter-turn lock

Order No.	A for housing length H=18	L
K1114.245X180	18	45
K1114.245X200	20	45
K1114.245X240	24	45
K1114.245X280	28	45
K1114.245X320	32	45
K1114.245X340	34	45
K1114.245X360	36	45
K1114.245X380	38	45
K1114.245X400	40	45
K1114.245X420	42	45

K1110

Quarter-turn locks

stainless steel with L-grip

**Material:**

Grip 1.4301 stainless steel.
Housing and nut 1.4305 stainless steel.
Tongue 1.4301 stainless steel.

Version:

Bright.

Sample order:

Quarter turn lock K1110.1186
Tongue K1114.245X180

Note:

Quarter-turn lock with L-grip. For right or left mounting with 90° closing. The quarter-turn lock can be installed pre-assembled. Supplied with standard stainless-steel nut. Rating IP65. Please order required tongue version separately. Every tongue can be combined with this housing.

KIPP Quarter-turn lock, stainless steel with L-grip

Order No.	Actuation
K1110.1186	L-grip

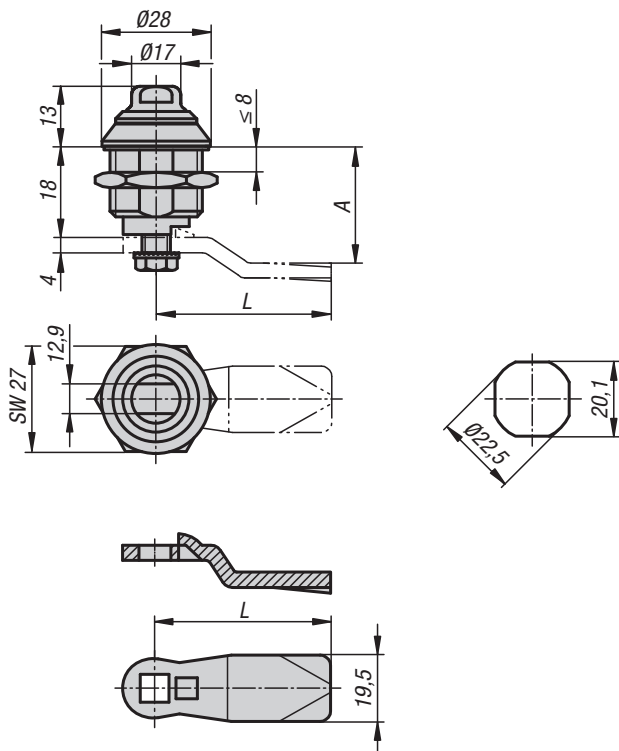
KIPP Tongue for quarter-turn lock

Order No.	A for housing length H=18	L
K1114.245X180	18	45
K1114.245X200	20	45
K1114.245X240	24	45
K1114.245X280	28	45
K1114.245X320	32	45
K1114.245X340	34	45
K1114.245X360	36	45
K1114.245X380	38	45
K1114.245X400	40	45
K1114.245X420	42	45

K1111

Quarter-turn locks

for sterile areas



Material:

Quarter-turn lock 1.4305 stainless steel.
Tongue 1.4301 stainless steel.

Version:

Bright.

Sample order:

Quarter turn lock K1111.60186
Tongue K1114.245X180

Note:

Stainless steel quarter-turn lock with 13 mm AF actuator for applications with hygienic requirements as per EN ISO 14159, EN 1672-2:2009* and BG (test certificate on request). Dust and waterproof as per IP69K. The rounded form and polished surfaces together with the material used make these locks insensitive to cleaning materials and resistant to dirt. The seal between the quarter-turn lock and the door is made using the captive PUR foam seal on the underside of the quarter-turn lock housing.

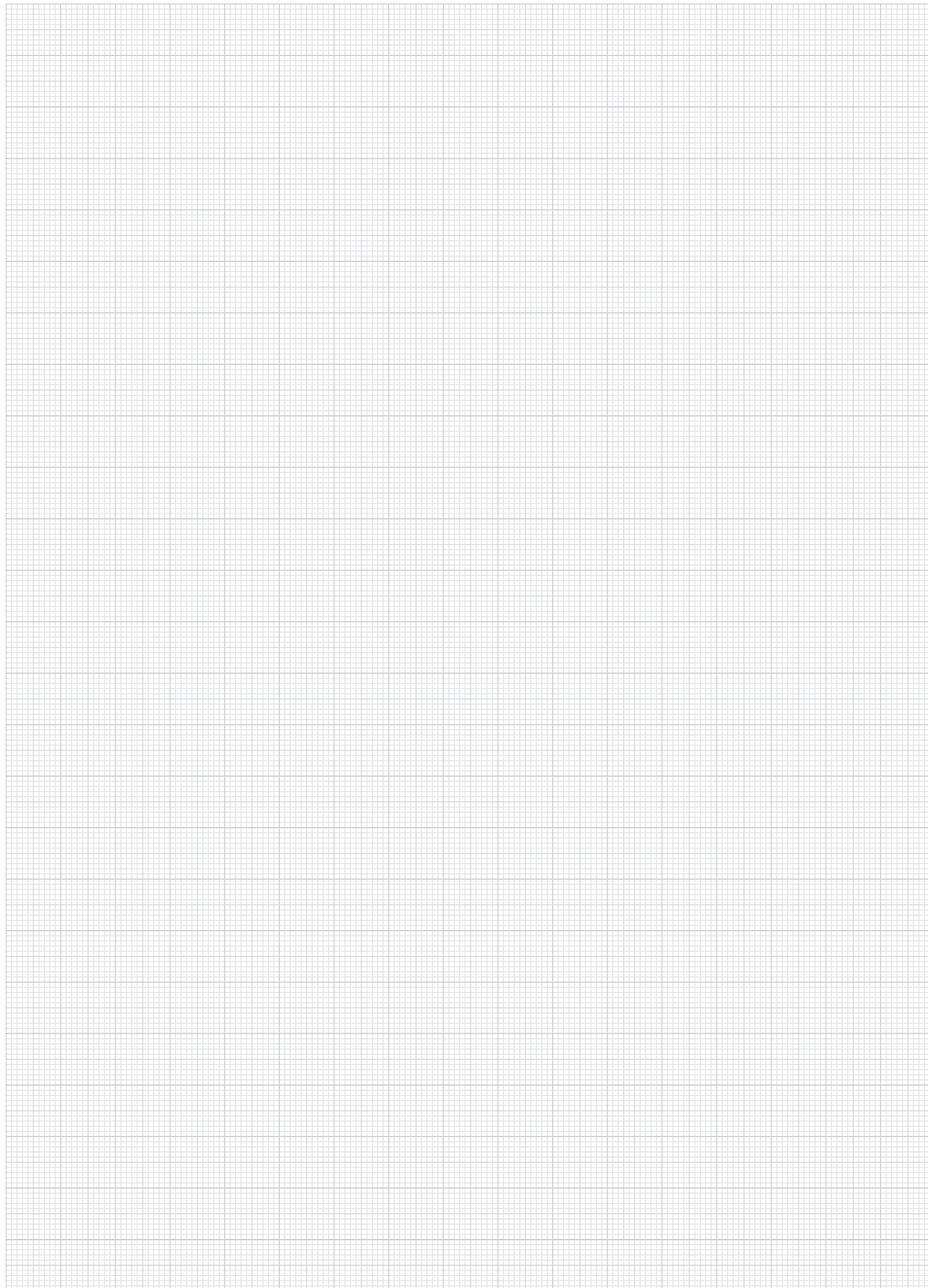
KIPP Quarter-turn lock for sterile areas

Order No.	Actuation
K1111.60186	double flat

KIPP Tongue for quarter-turn lock

Order No.	A for housing length H=18	L
K1114.245X180	18	45
K1114.245X200	20	45
K1114.245X240	24	45
K1114.245X280	28	45
K1114.245X320	32	45
K1114.245X340	34	45
K1114.245X360	36	45
K1114.245X380	38	45
K1114.245X400	40	45
K1114.245X420	42	45

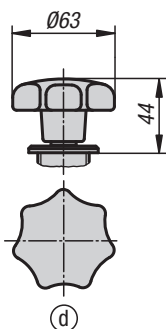
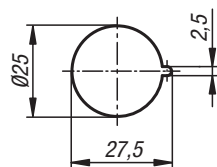
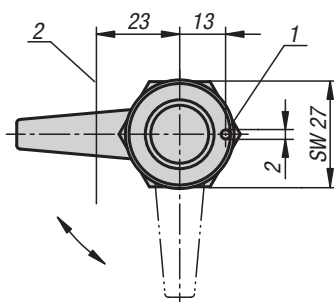
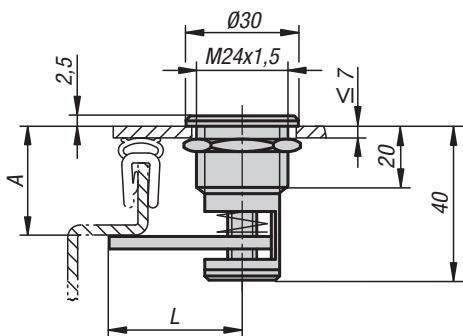
Notes



K0528

Compression latches

with variable compression



Material:
Compression latch steel.
DIN 6336 star grip Duroplast.

Version:
Compression latch galvanized and blue passivated.
Star grip black.

Sample order:
Compression latch K0528.1709161

Note:
Compression latches are primarily used for doors and housings that require a high pressure on the seal. Right or left deployment. The locking direction is always clockwise.

Assembly:
Cut a notch in a Ø25 mm hole for the locking pin. Pass the latch through the hole. The tongue must be in the end position and in the centre of the opening before the nut can be slipped on and tightened.

On request:
Water tight version according to IP 65.

Function:
Turning the actuator 90° brings the tongue into the closed position. Turning the actuator further winds the tongue up the thread and increases the pressure on the frame. To unlock the latch turn the actuator to the left. The tongue moves to the open position and, even doors with sticky seals can be easily opened. The variable compression gap is 7 mm. The frame width range of 9-44 mm is covered by 7 offset tongues (dimension A).

Supplied completely assembled.

Accessories:
Key K0535

Drawing reference:
1) locating pin
2) frame

Actuation
a) square 7 mm
b) double lug 3 mm
c) double lug 5 mm
d) star grip

KIPP Compression latches with variable compression

Order No. square 7 mm	Order No. double lug 3 mm	Order No. double lug 5 mm	Order No. star grip	A	L
K0528.1709161	K0528.4309161	K0528.4509161	K0528.5009161	9-16	40,5
K0528.1713201	K0528.4313201	K0528.4513201	K0528.5013201	13 - 20	42,5
K0528.1717241	K0528.4317241	K0528.4517241	K0528.5017241	17 - 24	44
K0528.1723301	K0528.4323301	K0528.4523301	K0528.5023301	23 - 30	45
K0528.1729361	K0528.4329361	K0528.4529361	K0528.5029361	29 - 36	43
K0528.1733401	K0528.4333401	K0528.4533401	K0528.5033401	33 - 40	40,5
K0528.1737441	K0528.4337441	K0528.4537441	K0528.5037441	37 - 44	37

K0529

Compression latches



Material:
 Housing and actuator die-cast zinc.
 Flat seal rubber.
 Tongue steel.

Version:
 Housing and actuator chrome-plated.
 Tongue galvanized.

Sample order:
 Compression latch K0529.18321
 Tongue K0530.145X320
 (include tongue gap "A")

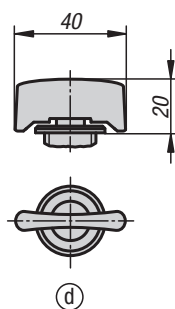
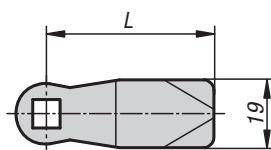
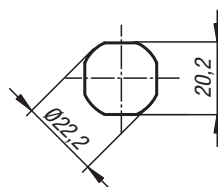
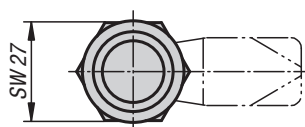
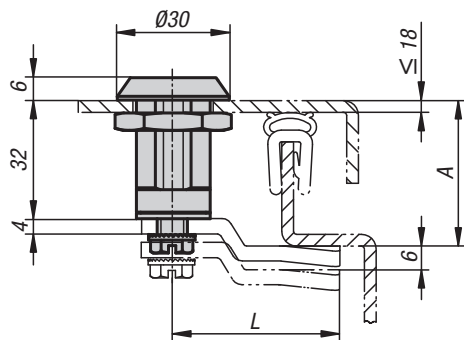
Note:
 Compression latches are primarily used for doors and housings that require a high pressure on the seal. Right or left deployment. The locking direction is always clockwise.

Vibration-proof, water and dust tight according to IP65. Please order the desired tongue type separately. Every tongue can be combined with every housing.

Function:
 Turning the actuator 90° brings the tongue into the closed position. Turning the actuator another 90° draws the tongue into the frame increasing the pressure. The compression gap is 6 mm. The fastening nut is an earthing nut with teeth one side.

Accessories:
 Key K0535

Drawing reference:
 Actuation:
 a) square 8 mm
 b) double lug 3 mm
 c) double lug 5 mm
 d) toggle



KIPP Compression latches

Order No.	Actuation
K0529.18321	square 8 mm
K0529.30321	grip
K0529.43321	double lug 3 mm
K0529.45321	double lug 5 mm

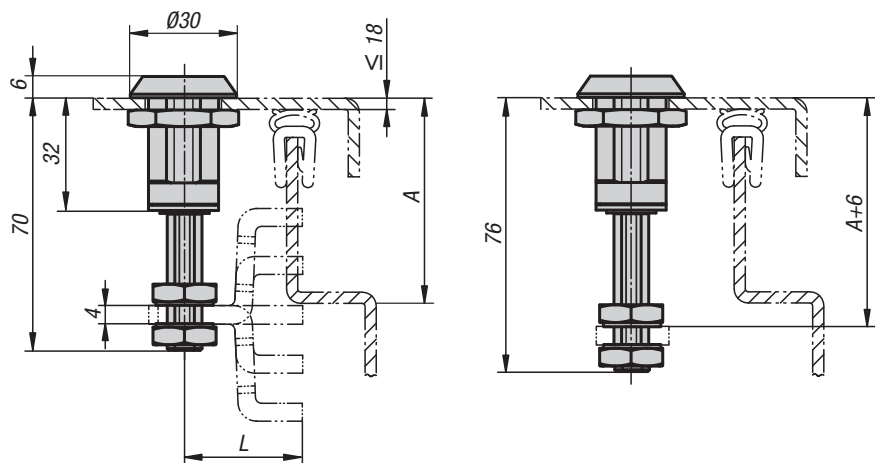
KIPP Tongue for compression latches

Order No.	A	L
K0530.145X	32/35/38/44	45
K0530.151X	32	51

K0531

Compression latches

with adjustable tongue gap



Material:
Housing and actuator die-cast zinc.
Flat seal rubber.
Tongue steel.

Version:
Housing and actuator chrome-plated.
Wing-handle version powder-coated.
Tongue galvanized.

Sample order:
Compression latch K0531.18321
Tongue K0532.1000X590

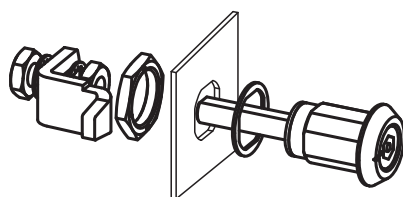
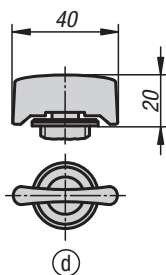
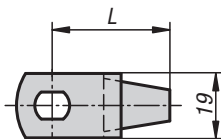
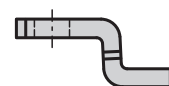
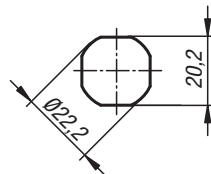
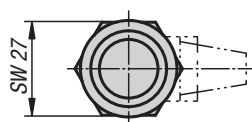
Note:
Compression latches are primarily used for doors and housings that require a high pressure on the seal. Right or left deployment. The locking direction is always clockwise.

Vibration-proof, water and dust tight according to IP65. Please order the desired tongue type separately. Every tongue can be combined with every housing.

Function:
Turning the actuator 90° brings the tongue into the closed position. Turning the actuator another 90° draws the tongue into the frame increasing the pressure. The compression gap is 6 mm. The fastening nut is an earthing nut with teeth one side. The offset tongue can be installed positive or negative.

Accessories:
Key K0535

Drawing reference:
Actuation:
a) square 8 mm
b) double lug 3 mm
c) double lug 5 mm
d) toggle



KIPP Compression latches with adjustable tongue gap

Order No.	Actuation
K0531.18321	square 8 mm
K0531.43321	double lug 3 mm
K0531.45321	double lug 5 mm
K0531.30322	grip

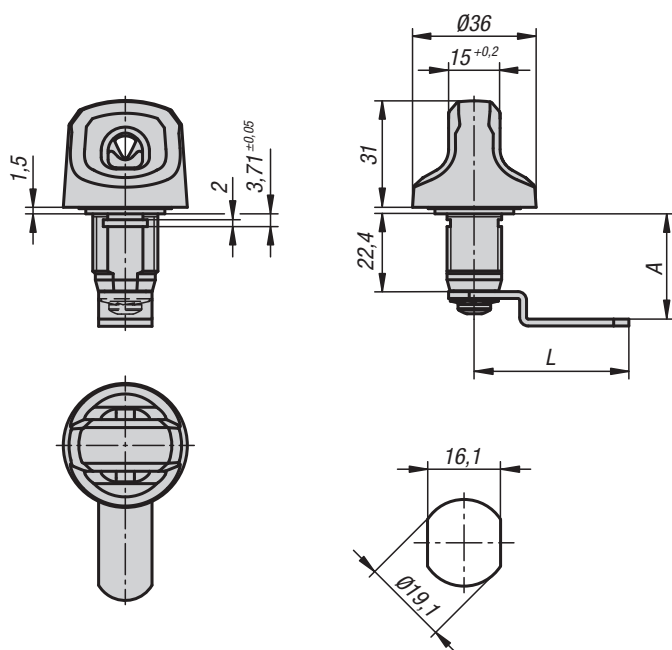
KIPP Tongues for compression latches with adjustable tongue gap

Order No.	A	L
K0532.1000X590	40 - 59	33
K0532.1140X730	26 - 45 / 52 - 73	33
K0532.1275X860	12 - 32 / 68 - 86	33

K1275

Quarter-turn locks

free-turning

**Material:**

Housing and actuator die-cast zinc.
Nut brass.
Tongue steel.

Version:

Housing galvanised and blue passivated.
Lever black KTL coated.
Tongue galvanised.

Sample order:

K1275.22224

Note:

Particularly suitable for steel cabinets, lockers in changing rooms, schools, leisure facilities and industrial companies.

Method of operation:

The integrated free-turning function provides higher security against violent actuation compared to conventional locks.

Assembly:

The quarter-turn lock can be installed pre-assembled.

Attention:

Optimum functionality is guaranteed with padlocks with a shackle diameter of $\text{Ø}6 - \text{Ø}8$ mm.

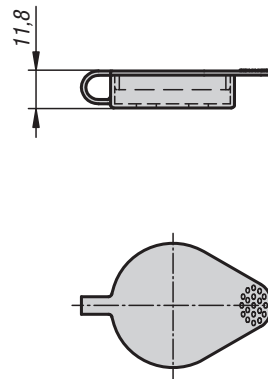
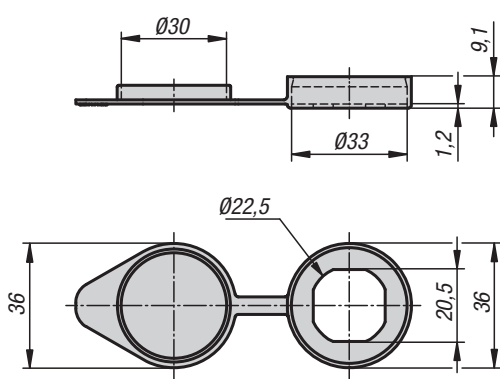


KIPP Quarter-turn lock, free-turning

Order No.	A	L
K1275.22224	22,4	44
K1275.22248	24,8	42
K1275.22304	30,4	45
K1275.22359	35,9	49
K1275.22424	42,4	45

K0533

Dust caps



Material:
Thermoplastic plastic (PU).

Version:
black.

Sample order:
K0533.202230

Note:
Dust caps for compression latches with a head diameter up to max. 32 mm. It offers increased protection from dust and moisture. If the dust cap is used, dimension "A" of the compression latch is reduced by 1 mm.

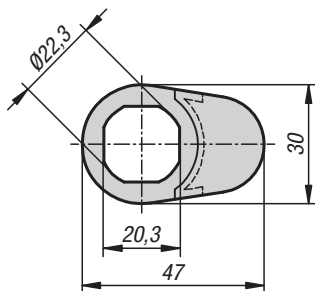
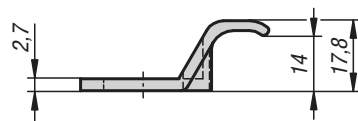


KIPP Dust caps

Order No.
K0533.202230

K0534

Opening grips



Material:
Thermoplastic plastic (PA).

Version:
black.

Sample order:
K0534.202230

Note:
Practical opening grip for compression latches with a head diameter up to max. 30 mm. If the opening grip is used, dimension "A" of the compression latch is reduced by 2.5 mm.



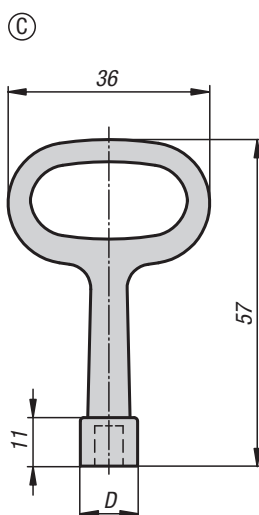
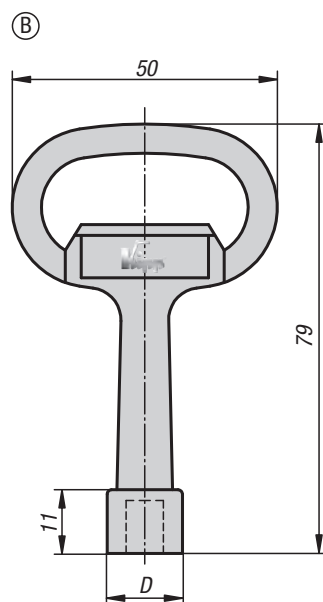
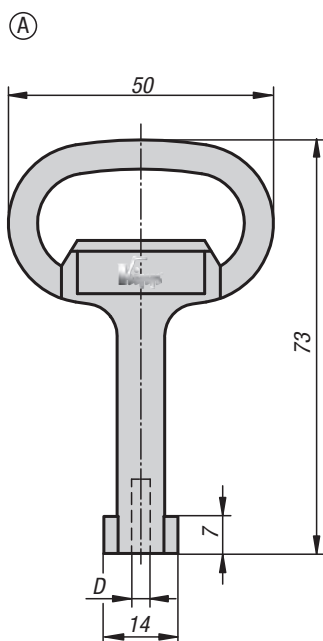
KIPP Opening grips

Order No.
K0534.202230

K0535

Keys

for latches and locks



Material:
Die-cast zinc.

Version:
chromium-plated.

Sample order:
K0535.43

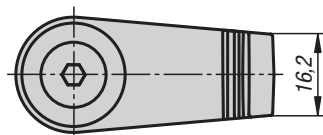
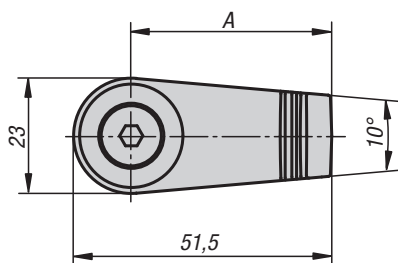
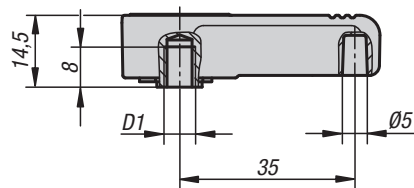
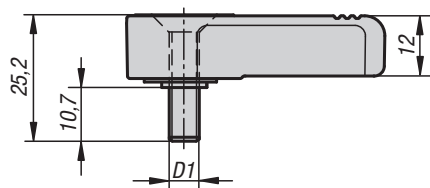
Note:
For operating compression latches and quarter-turn locks.

KIPP Keys for latches and locks

Order No.	Form	Version	D
K0535.43	A	double lug 3 mm	3
K0535.45	A	double lug 5 mm	5
K0535.17	B	square 7 mm	15
K0535.18	B	square 8 mm	15
K0535.16	C	square 6 mm	11,5

K0271

Stop latches



Material:

Housing die-cast zinc, plastic-coated.
 Pin steel 1.0718.
 Washer plastic.
 Circlip spring steel.
 Countersunk screw steel grade 8.8.

Version:

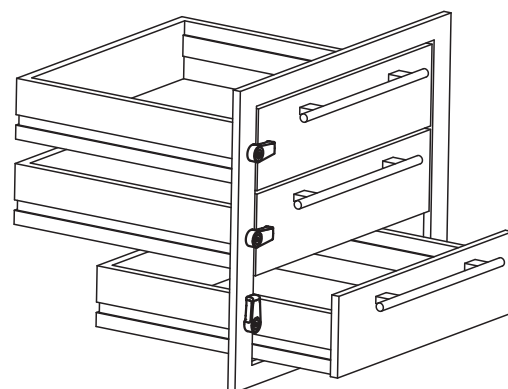
Housing black or red.
 Pin blue passivated steel.
 Circlip and countersunk screw, black.

Sample order:

K0271.140061

Note:

Engagement every 90°.



KIPP Stop latch

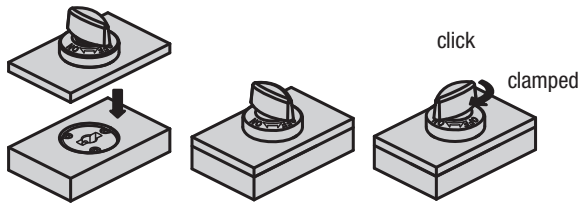
Order No.	Main colour	Version	A	D1
K0271.140061	black	internal thread	40	M6
K0271.140062	red	internal thread	40	M6
K0271.140061X10	black	external thread	40	M6
K0271.140062X10	red	external thread	40	M6



Technical Information

Quarter-turn clamp lock K1061 and clamping plate K1062

1. Application:



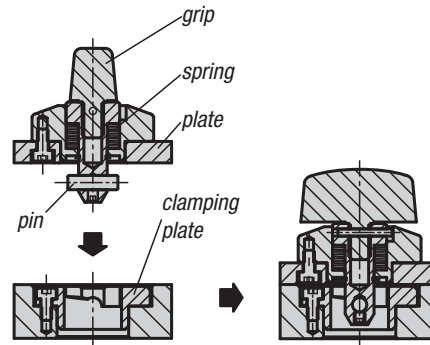
Make sure that the knob is in the "OFF" position.

Insert the pin of the quarter-turn clamp lock into the clamping plate.

To lock components, turn the knob to the "ON" position. A click signals the opening/closing.

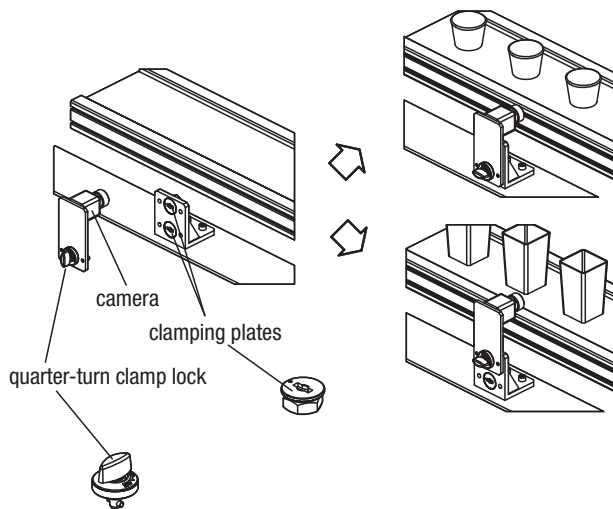
2. Function:

The knob is linked to the centre pin with a transverse pin. When the knob of the quarter-turn clamp lock is turned, the centre pin engages with the clamping plate and locks the components together.

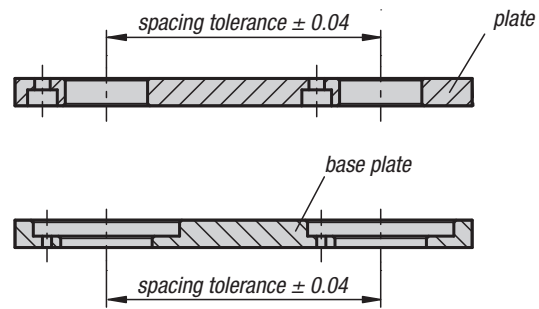


Application examples:

Altering camera positions

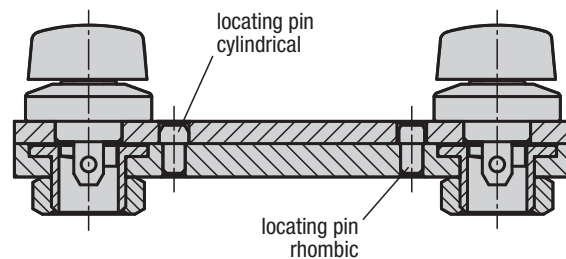


Production tolerances:



Repeat accuracy:

Repeat accuracy of ± 0.1 can be achieved with the aid of additional locating pins (not supplied).



K1061

Quarter-turn clamp locks

grip plastic or stainless steel



Material:

Housing steel.
Pin stainless steel.
Knob stainless steel or thermoplastic PA (polyamide).

Version:

Housing nickel-plated.
Pin bright.
Knob reinforced PA fibreglass, black.
Knob stainless steel, bright.

Sample order:

K1061.516

Note:

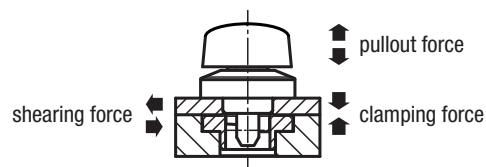
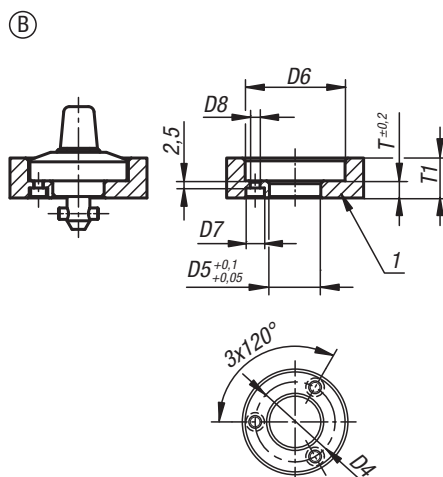
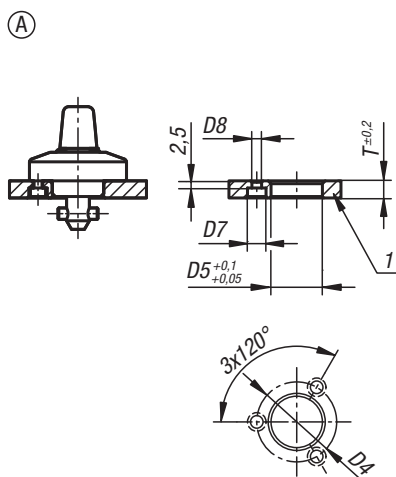
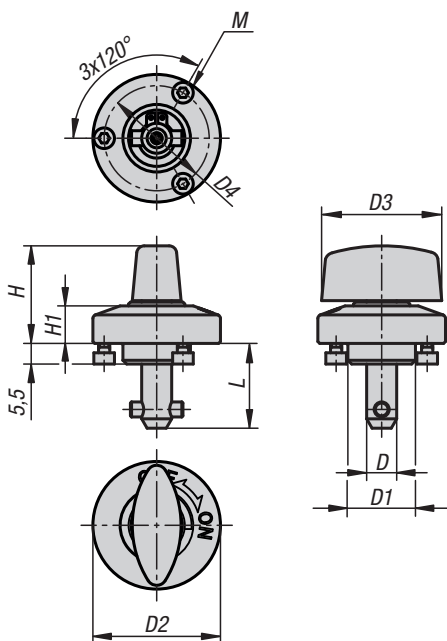
M2 or M3 mounting screws are supplied.
Form A mounting option for plate thickness 6 or 12 mm.
Form B mounting option for plate thickness 12 to 20 mm.

Accessories:

Clamping plates K1062

Drawing reference:

1) plate



KIPP Quarter-turn clamp locks, grip plastic or stainless steel

Order No. Plastic	Order No. Stainless steel	D	L	D1	D2	D3	D4	H	H1	M	D5	D6	D7	D8	T	T1
K1061.516	K1061.5161	5	15,5	14	25	20	21	19 / 19	6,5	M2x3	14	26	4,4	2,4	6	6-10
K1061.817	K1061.8171	8	17	18	34	32	28	26 / 25,5	10	M3x4	18	35	6,5	3,4	6	6-14
K1061.823	K1061.8231	8	23	18	34	32	28	26 / 25,5	10	M3x4	18	35	6,5	3,4	12	12-20

KIPP Quarter-turn clamp lock, technical information

Order No. Plastic	Order No. Stainless steel	D	L	Clamping force N	Shearing force kN	Pullout force kN	Temp. resistance up to
K1061.516	K1061.5161	5	15,5	60	1,8	1,2	130 °C / 200 °C
K1061.817	K1061.8171	8	17	90	3,2	2,6	130 °C / 200 °C
K1061.823	K1061.8231	8	23	90	3,2	2,6	130 °C / 200 °C

K1061

Quarter-turn clamp locks flat



Material:

Housing steel.
Pin stainless steel.
Knob stainless steel.

Version:

Housing nickel-plated.
Pin bright.
Knob stainless steel, bright.

Sample order:

K1061.5162

Note:

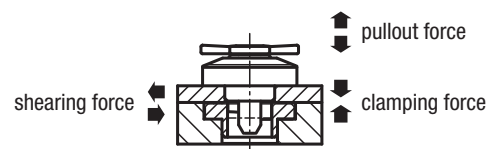
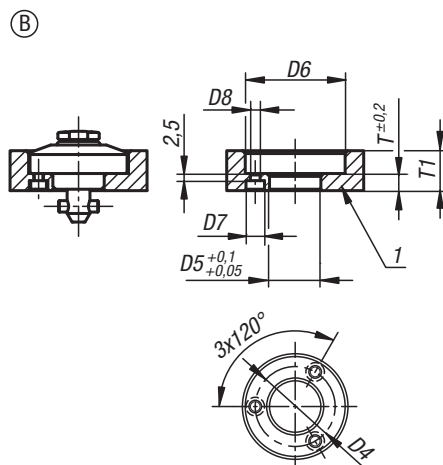
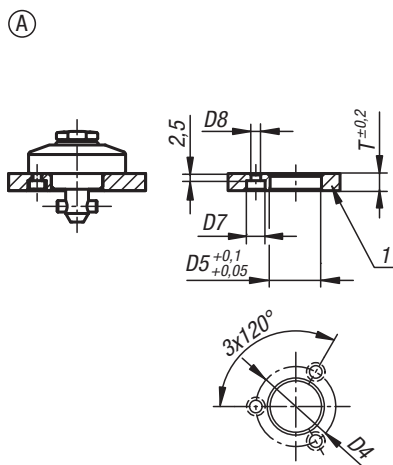
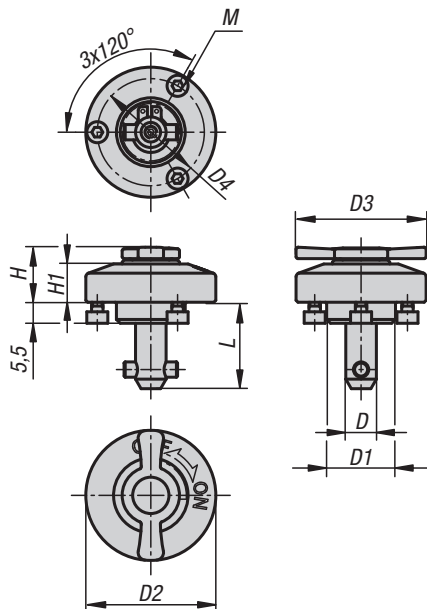
M2 or M3 mounting screws are supplied.
Form A mounting option for plate thickness 6 or 12 mm.
Form B mounting option for plate thickness 12 to 20 mm.

Accessories:

Clamping plates K1062

Drawing reference:

1) plate



KIPP Quarter-turn clamp locks, flat

Order No.	D	D1	D2	D3	D4	H	H1	L	M	D5	D6	D7	D8	T	T1
K1061.5162	5	14	25	20	21	11,5	6,5	15,5	M2x3	14	26	4,4	2,4	6	6-10
K1061.8172	8	18	34	32	28	15,4	10	17	M3x4	18	35	6,5	3,4	6	6-14
K1061.8232	8	18	34	32	28	15,4	10	23	M3x4	18	35	6,5	3,4	12	12-20

KIPP Quarter-turn clamp lock, technical information

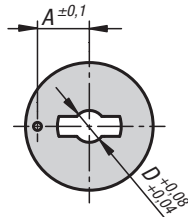
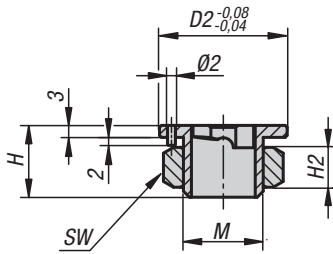
Order No.	Clamping force N	Shearing force kN	Pullout force kN	Temp. resistance up to
K1061.5162	60	1,8	1,2	200 °C
K1061.8172	90	3,2	2,6	200 °C
K1061.8232	90	3,2	2,6	200 °C

K1062

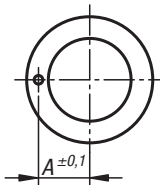
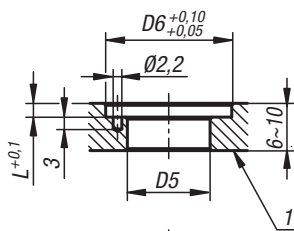
Clamping plates for quarter-turn clamp locks



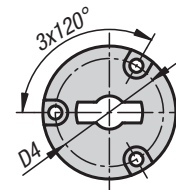
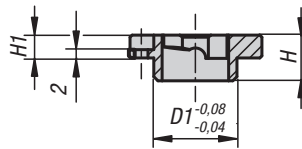
(A)
Clamping plate surface mounted
for plate thickness from 6 to 10 mm



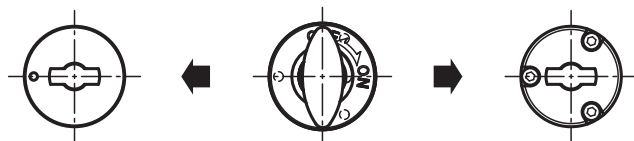
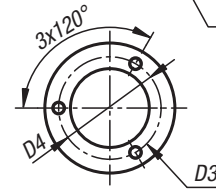
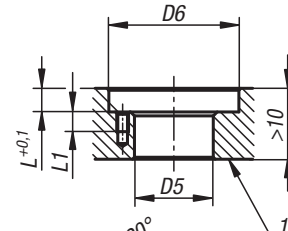
(A)



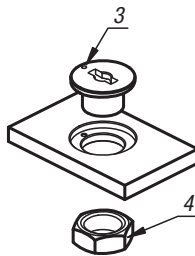
(B)
Clamping plate recessed
for plate thickness > 10 mm



(B)



(2)



Material:
Housing steel.
Nut stainless steel.

Version:
Housing nickel-plated.
Nut bright.

Sample order:
K1062.50

Note:
M2 or M3 mounting screws are supplied.
Form A mounting option for plate thickness 6 to 10 mm.
Form B mounting option for plate thickness over 10 mm.

Drawing reference:
1) plate
2) quarter-turn clamp lock
3) locating pin
4) nut

KIPP Clamping plates for quarter-turn clamp locks

Order No. superimposed	Order No. countersunk	D	D1	D2	D4	A	M	H2	SW	H	H1	D3 for screw to DIN 912	D5	D6	L	L1
K1062.50	K1062.501	5	- / 14	25	21	10,5 / -	M14X1,5 / -	8	22	16 / 9	4,5	- / M2	15 / 14	25 / 26	3,5 / 5	- / 4
K1062.80	K1062.801	8	- / 20	32	26	13 / -	M20X1,5 / -	10	30	18 / 11	5,5	- / M3	21 / 20	32 / 33	3,5 / 6	- / 5