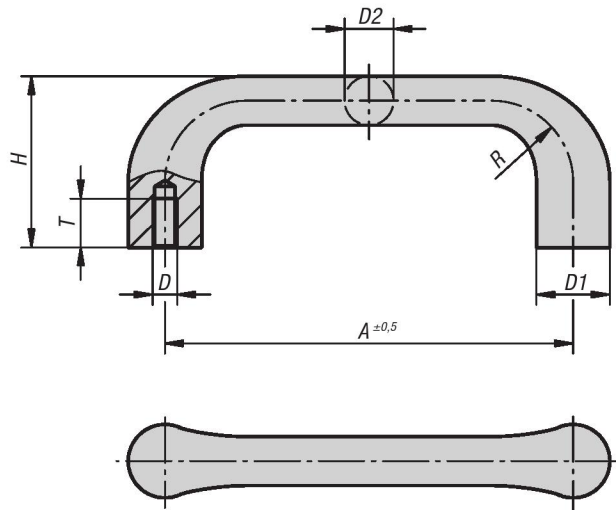


Pull Handles

cast iron

METRIC
Parts



Material:

Gray cast iron, GJS 400

Type:

Tumbled,
black powder-coated,
support faces machined

Part Number Example:

K0186.12510

KIPP Pull Handles, metric

Item No. tumbled	Item No. tumbled powder-coated, black	A	D	D1	D2	H	R	T	Load capacity N
K0186.10006	K0186.100061	100	M6	18	12	42	20	12	1000
K0186.11208	K0186.112081	112	M8	20	14	47	22	15	1000
K0186.12510	K0186.125101	125	M10	22	16	53	24	18	1000
K0186.14012	K0186.140121	140	M12	25	18	59	26	20	1000