



Adjustable Tension Levers

low profile, internal thread

INCH Parts METRIC Parts

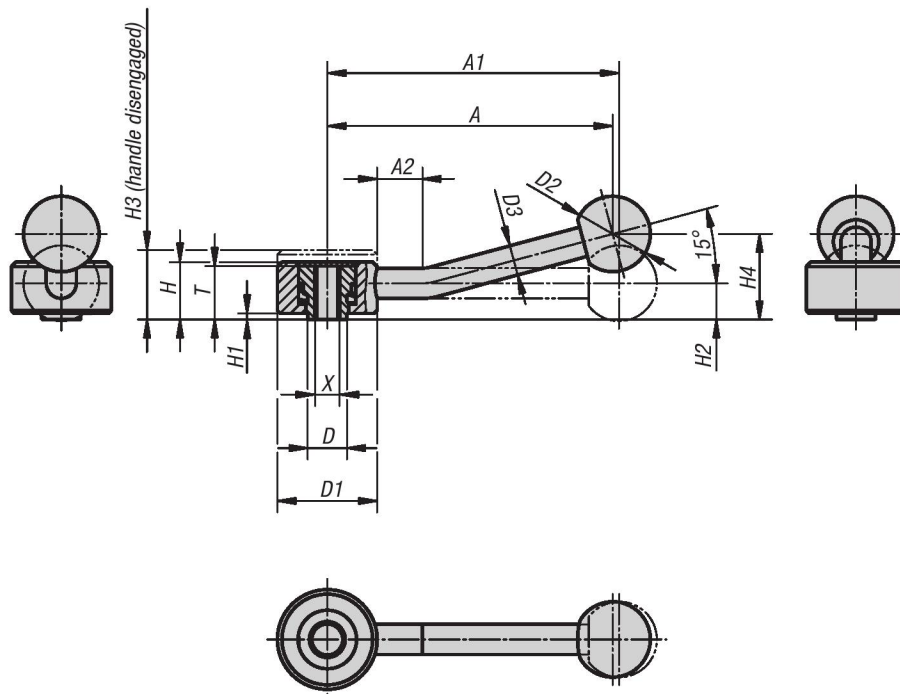


Material:
Steel parts quality class 5.8.
Ball knob black plastic.

Type:
Black oxide finish.

Part Number Example:
K0114.1A21

On request:
Other internal threads and special versions.
Dimension "H1", "A" and "A1" available in other lengths at an additional charge.



KIPP Adjustable Tension Levers, low profile, internal thread, inch

Item No. 0 degree	Item No. 15 degrees	Size	X	T	D	D1	D2	D3	H	H1	H2	H3	H4	A	A1	A2	No. of teeth
K0114.1A21	K0114.1A22	1	1/4-20	18	13.5	33	25	10	19	2	12	23	-/29	-/100	102/-	-/15	26
K0114.1A31	K0114.1A32	1	5/16-18	18	13.5	33	25	10	19	2	12	23	-/29	-/100	102/-	-/15	26
K0114.2A41	K0114.2A42	2	3/8-16	21	19	41	30	12	22	2	13.5	26	-/38	-/127	131/-	-/15	30
K0114.2A51	K0114.2A52	2	1/2-13	21	19	41	30	12	22	2	13.5	26	-/38	-/127	131/-	-/15	30
K0114.3A51	K0114.3A52	3	1/2-13	27	23	45	37	14	28	2	17	33	-/48	-/145	148/-	-/15	36
K0114.3A61	K0114.3A62	3	5/8-11	27	23	45	37	14	28	2	17	33	-/48	-/145	148/-	-/15	36

KIPP Adjustable Tension Levers, low profile, internal thread, metric

Item No. 0 degree	Item No. 15 degrees	Size	X	T	D	D1	D2	D3	H	H1	H2	H3	H4	A	A1	A2	No. of teeth
K0114.1061	K0114.1062	1	M6	18	13,5	33	25	10	19	2	12	23	-/29	-/100	102/-	-/15	26
K0114.1081	K0114.1082	1	M8	18	13,5	33	25	10	19	2	12	23	-/29	-/100	102/-	-/15	26
K0114.2101	K0114.2102	2	M10	21	19	41	30	12	22	2	13,5	26	-/38	-/127	131/-	-/15	30
K0114.2121	K0114.2122	2	M12	21	19	41	30	12	22	2	13,5	26	-/38	-/127	131/-	-/15	30
K0114.3121	K0114.3122	3	M12	27	23	45	37	14	28	2	17	33	-/48	-/145	148/-	-/15	36
K0114.3161	K0114.3162	3	M16	27	23	45	37	14	28	2	17	33	-/48	-/145	148/-	-/15	36



Adjustable Tension Levers

low profile, external thread

INCH Parts METRIC Parts

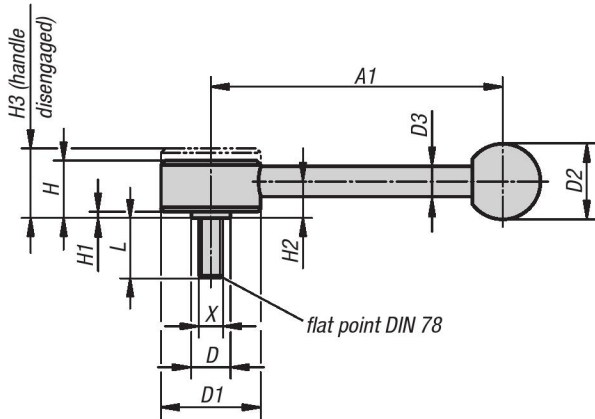
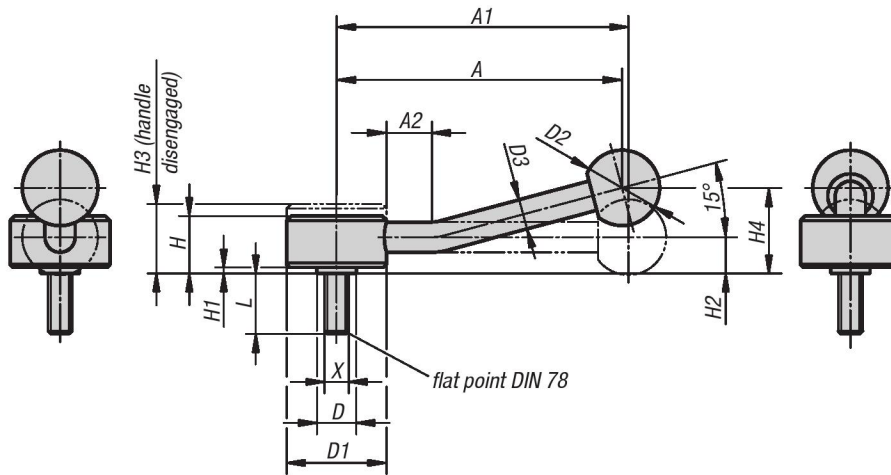


Material:
Steel parts quality class 5.8.
Ball knob black plastic.

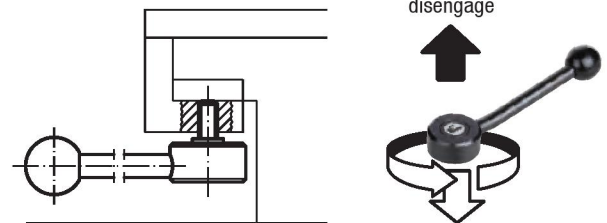
Type:
Black oxide finish.

Part Number Example:
K0114.1A31X20
(include length L)

On request:
Other external threads, screw lengths and special versions.
Dimension "H1", "A" and "A1" available in other lengths at an additional charge.



Application Diagram



KIPP Adjustable Tension Levers, low profile, external thread, inch

Item No. 0 degree	Item No. 15 degrees	Size	X	D	D1	D2	D3	H	H1	H2	H3	H4	A	A1	A2	No. of teeth	L
K0114.1A31X	K0114.1A32X	1	5/16-18	13.5	33	25	10	19	2	12	23	-/29	-/100	102/-	-/15	20	20/25/30/40/50/60
K0114.1A41X	K0114.1A42X	1	3/8-16	13.5	33	25	10	19	2	12	23	-/29	-/100	102/-	-/15	20	20/25/30/40/50/60
K0114.2A41X	K0114.2A42X	2	3/8-16	19	41	30	12	22	2	13.5	26	-/38	-/127	131/-	-/15	24	20/25/30/40/50/60
K0114.2A51X	K0114.2A52X	2	1/2-13	19	41	30	12	22	2	13.5	26	-/38	-/127	131/-	-/15	24	20/25/30/40/50/60
K0114.3A51X	K0114.3A52X	3	1/2-13	23	45	37	14	28	2	17	33	-/48	-/145	148/-	-/15	26	20/25/30/40/50/60
K0114.3A61X	K0114.3A62X	3	5/8-11	23	45	37	14	28	2	17	33	-/48	-/145	148/-	-/15	26	20/25/30/40/50/60

KIPP Adjustable Tension Levers, low profile, external thread, metric

Item No. 0 degree	Item No. 15 degrees	Size	X	D	D1	D2	D3	H	H1	H2	H3	H4	A	A1	A2	No. of teeth	L
K0114.1081X	K0114.1082X	1	M8	13,5	33	25	10	19	2	12	23	-/29	-/100	102/-	-/15	20	15/20/25/30/40/50/60
K0114.1101X	K0114.1102X	1	M10	13,5	33	25	10	19	2	12	23	-/29	-/100	102/-	-/15	20	15/20/25/30/40/50/60
K0114.2101X	K0114.2102X	2	M10	19	41	30	12	22	2	13,5	26	-/38	-/127	131/-	-/15	24	20/25/30/40/50/60
K0114.2121X	K0114.2122X	2	M12	19	41	30	12	22	2	13,5	26	-/38	-/127	131/-	-/15	24	20/25/30/40/50/60
K0114.3121X	K0114.3122X	3	M12	23	45	37	14	28	2	17	33	-/48	-/145	148/-	-/15	26	20/25/30/40/50/60
K0114.3161X	K0114.3162X	3	M16	23	45	37	14	28	2	17	33	-/48	-/145	148/-	-/15	26	20/25/30/40/50/60