

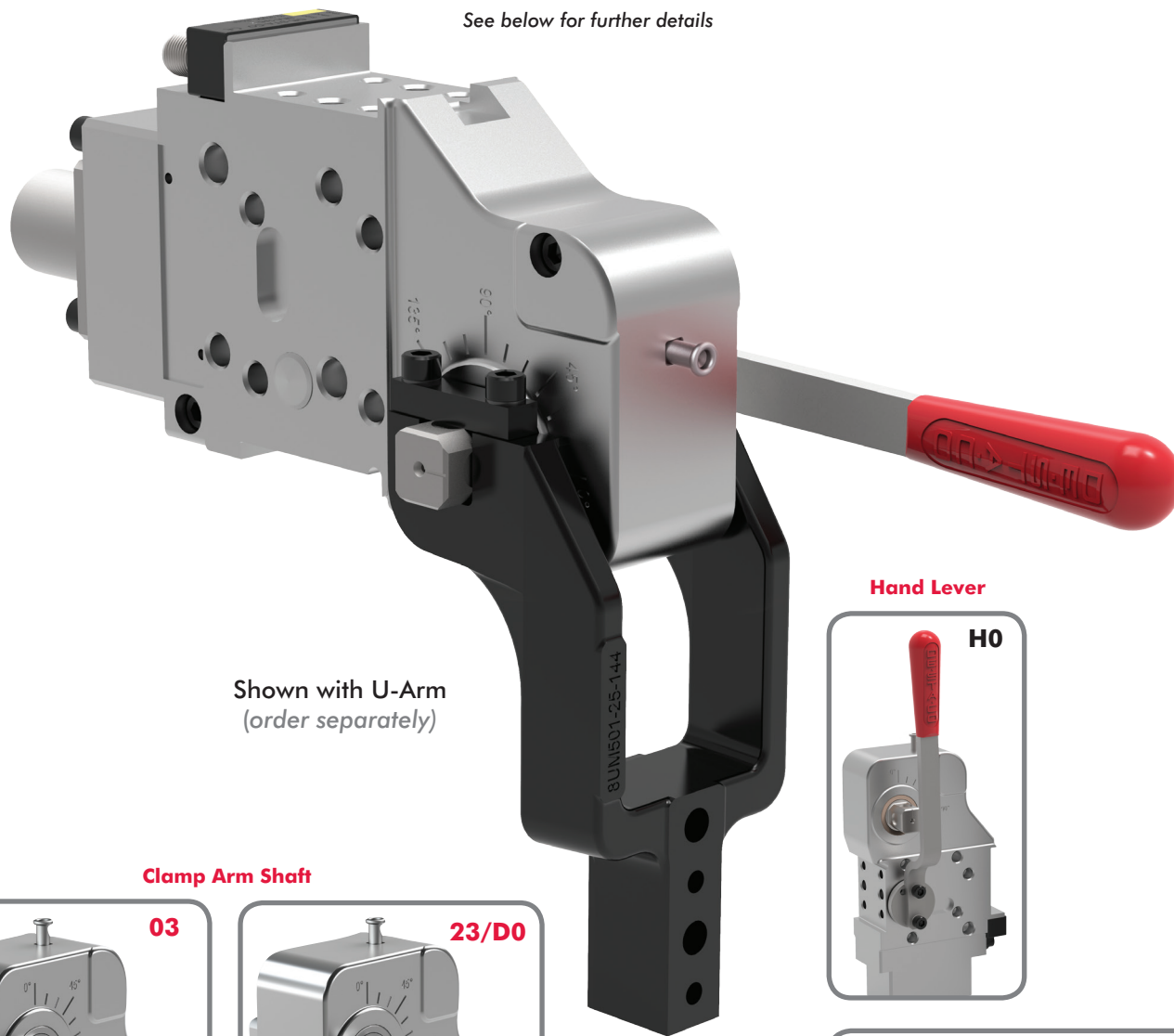
52H-3E SERIES

Pneumatic Power Clamps | Ordering Information

52H-3 **E** **23** **H0** **50** **L8**

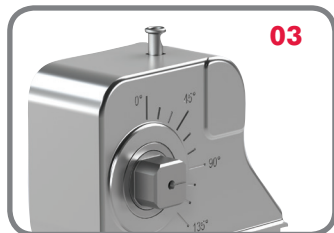
| Base Model | Mounting | Description | Clamp Arm Shaft | Description | Handle | Description |
|------------|----------|----------------------|-----------------|---------------------------------|-----------|-----------------------|
| | E | Standard | 03 | for U-Arms | H0 | Hand lever |
| | N | NAAMS (Size 63 only) | 23 | for Lateral Arms | HS | Hand Lever (Weldable) |
| | | | D0 | for Lateral Arms (size 63 only) | | |

See below for further details



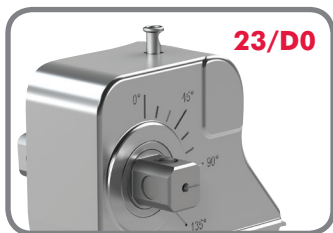
Shown with U-Arm
(order separately)

Clamp Arm Shaft



03

| Size | Shaft Length (L17) |
|------|--------------------|
| 50 | 12mm |
| 63 | 12mm |

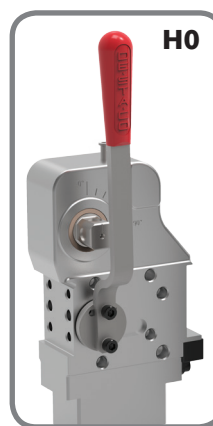


23/D0

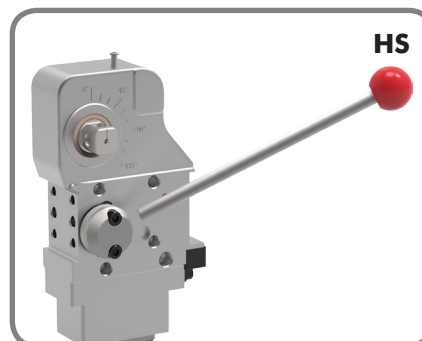
| Size | Shaft Length (L17) |
|-----------|--------------------|
| 23 | |
| 50 | 21mm |
| 63 | 21mm |

| Size | Shaft Length (L17) |
|-----------|--------------------|
| D0 | |
| 50 | 26mm |
| D0 | 26mm |

Hand Lever



H0

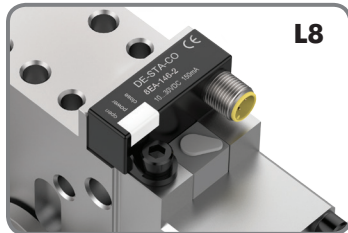


HS

52H-3E SERIES

Pneumatic Power Clamps | Ordering Information

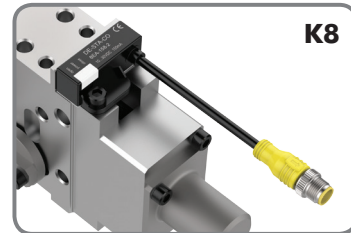
| Sensor | Description |
|-----------|--|
| 00 | No sensor |
| L8 | Sensor with In-line Connector (Replacement Order No.: 8EA-146-2) |
| L9 | Sensor with 90 deg Connection (Replacement Order No.: 8EA-147-2) |
| K8 | Sensor with Cable Connection (Replacement Order No.: 8EA-158-2) |



L8

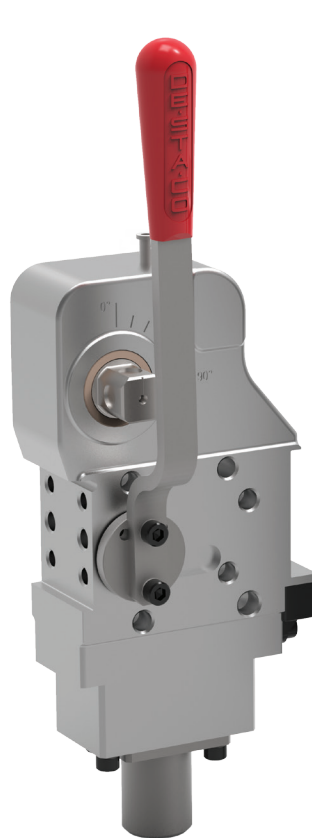


L9



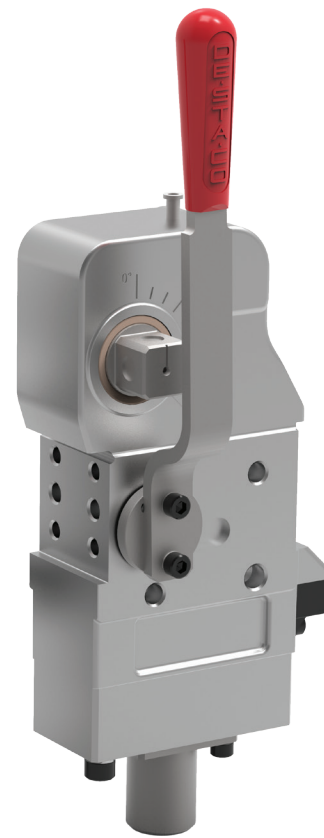
K8

| Size | Description |
|-----------|-------------|
| 50 | Size 50mm |
| 63 | Size 50mm |



50

Max Holding Torque
1300 Nm



63

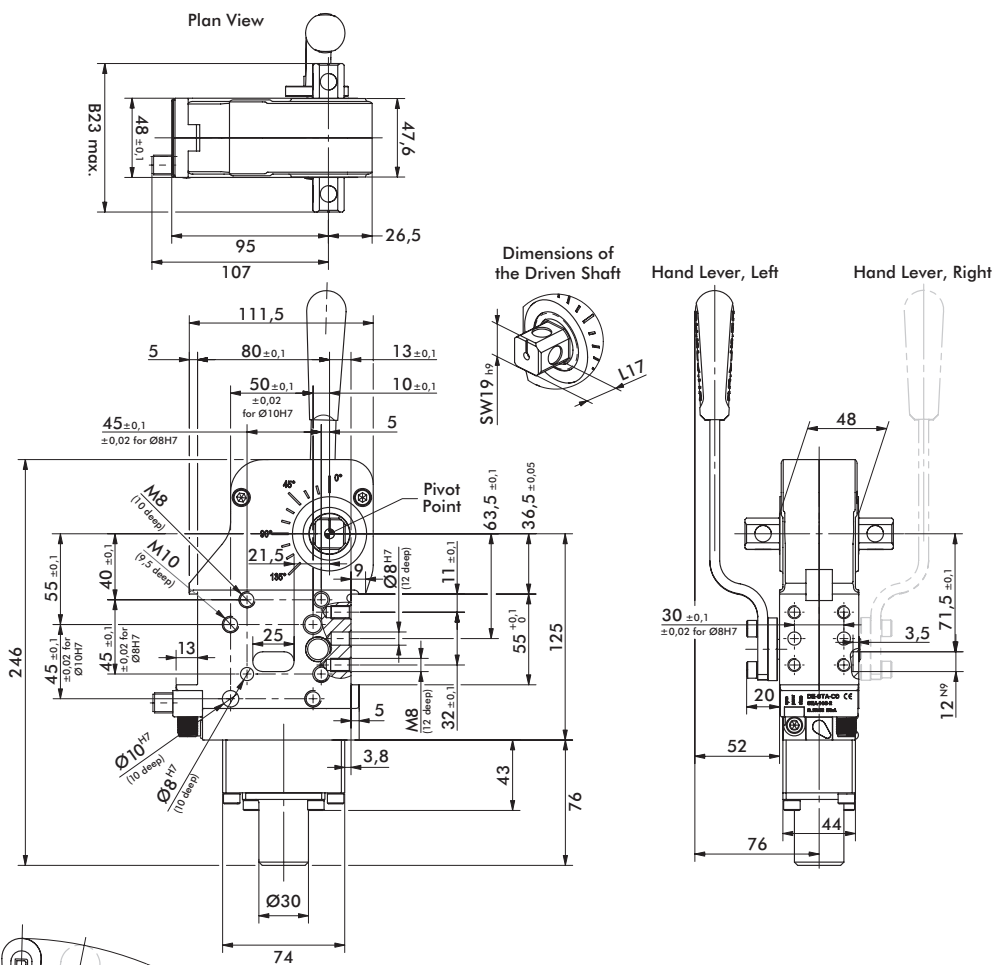
Max Holding Torque
1800 Nm

52H-3E03H050L8
Modular manual
clamp, interchangeable
with 82M-3E...50/63

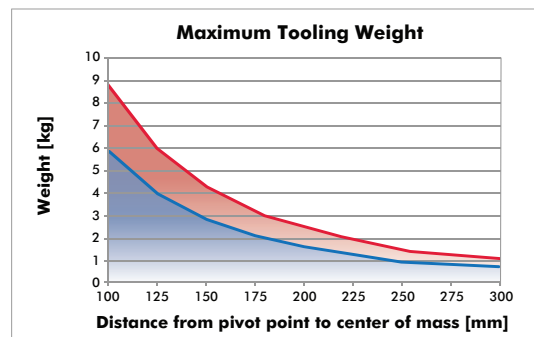
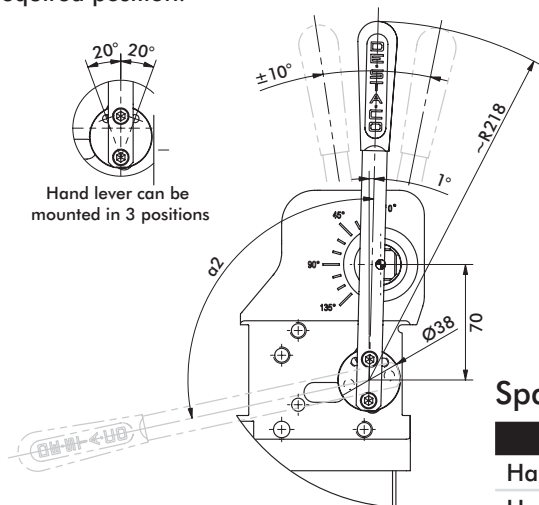
52H-3E...50 SERIES

Pneumatic Power Clamps | Dimensions and Technical Specifications

| Model | Max. Holding Torque (Nm) | Weight (kg) | B23 max. | L17 | Swivel Angle α_2 (with reference to opening angle of clamping arm) | | | | | | | | | |
|----------------|--------------------------|-------------|----------|-----|--|-----|-----|-----|-----|-----|-----|------|------|------|
| | | | | | 0° | 15° | 30° | 45° | 60° | 75° | 90° | 105° | 120° | 135° |
| 52H-3E03H050.. | 1300 | 2,75 | 72 | 12 | -1° | 30° | 39° | 46° | 53° | 61° | 70° | 81° | 92° | 103° |
| 52H-3E23H050.. | | 2,79 | 90 | 21 | | | | | | | | | | |



Notice!
The hand lever is supplied loose enclosed. Easy custom left hand or right hand mounting in required position.



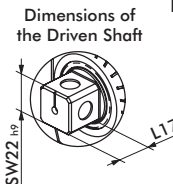
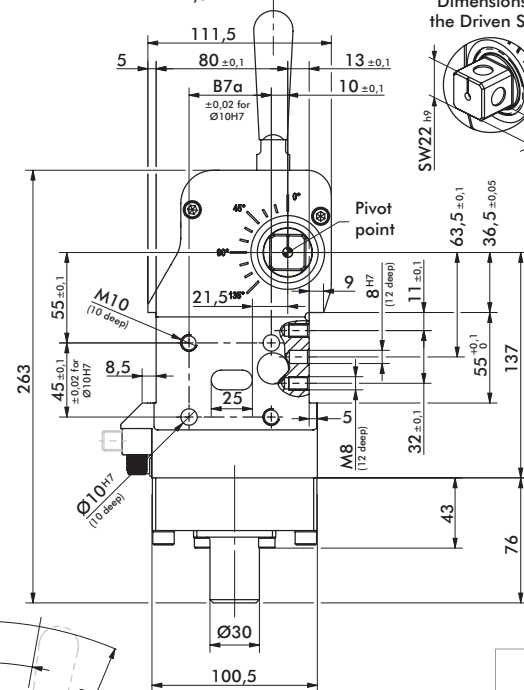
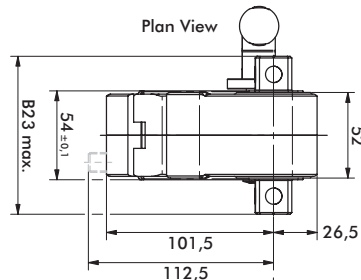
Spare parts

| Specification | Base component | Order no. | Comment |
|---------------------------|----------------|----------------|------------------|
| Hand lever set | 52H-3E...50 | 8KB-098-1 | |
| Hand lever set (weldable) | | 8KB-102-1 | |
| Sensor box | | 8EA-146-2 (L8) | Connector 180° |
| | | 8EA-147-2 (L9) | Connector 90° |
| | | 8EA-158-2 (K8) | Cable Connection |

52H-3E...63 SERIES

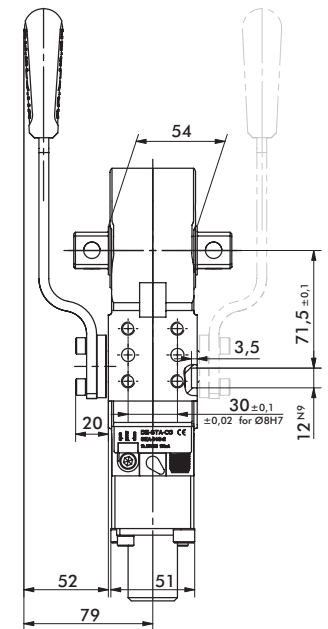
Pneumatic Power Clamps | Dimensions and Technical Specifications

| Model | Max. Holding Torque (Nm) | Weight (kg) | B7a | B23 max. | L17 | Swivel Angle α_2 (with reference to opening angle of clamping arm) | | | | | | | | | |
|----------------|--------------------------|-------------|-----|----------|-----|--|-----|-----|-----|-----|-----|-----|------|------|------|
| | | | | | | 0° | 15° | 30° | 45° | 60° | 75° | 90° | 105° | 120° | 135° |
| 52H-3E03H06... | 1800 | 3,5 | 50 | 78 | 12 | 0° | 30° | 39° | 47° | 56° | 66° | 79° | 94° | 108° | 119° |
| 52H-3N03H06... | | | 55 | | 21 | | | | | | | | | | |
| 52H-3E23H06... | | 3,6 | 50 | 12 | | | | | | | | | | | |
| 52H-3N23H06... | | | 55 | 21 | | | | | | | | | | | |



Hand lever, Left

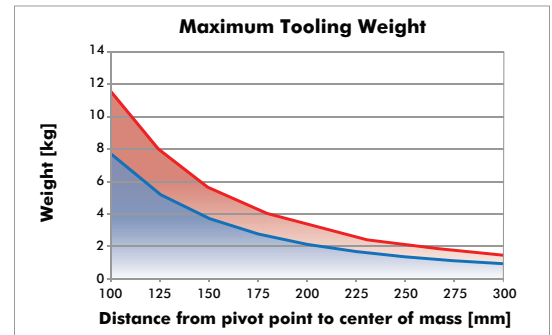
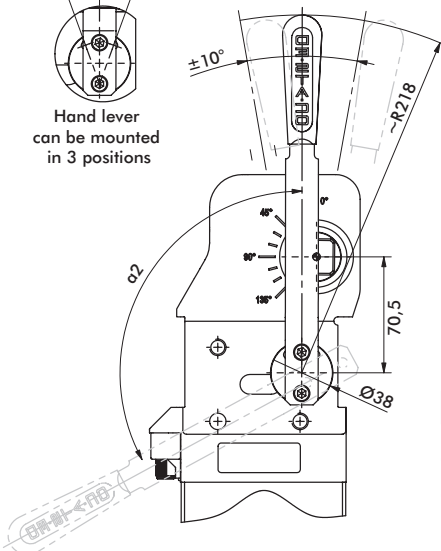
Hand lever, Right



Notice!
The hand lever is supplied loose enclosed. Easy custom left hand or right hand mounting in required position.



Hand lever can be mounted in 3 positions



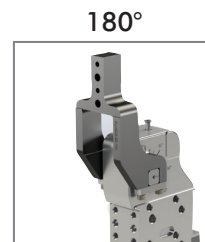
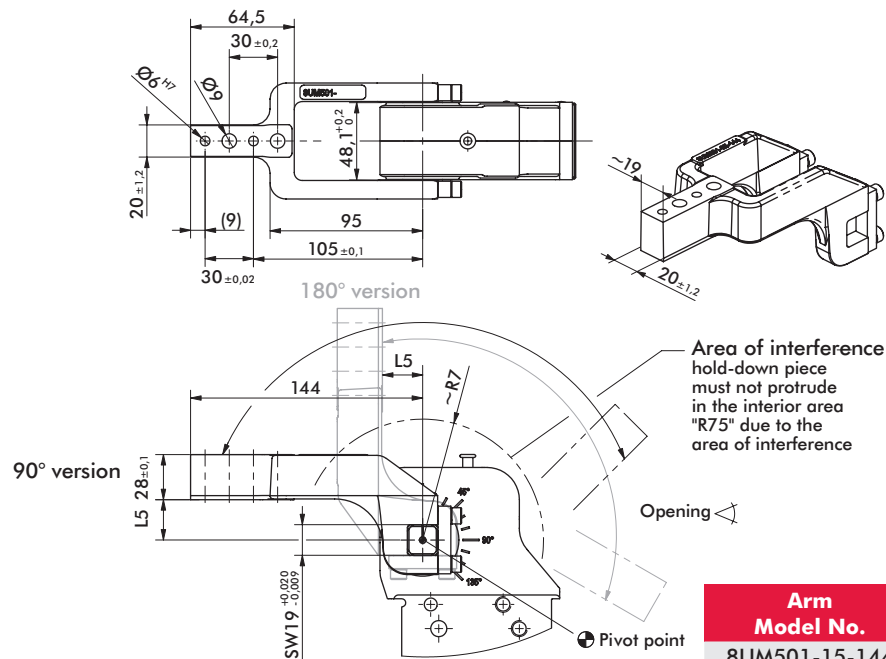
Spare parts

| Specification | Base component | Order no. | Comment |
|---------------------------|----------------|--|---|
| Hand lever set | 52H-3E...63 | 8KB-099-1 | |
| Hand lever set (weldable) | | 8KB-103-1 | |
| Sensor box | | 8EA-146-2 (L8) 8EA-147-2 (L9) 8EA-158-2 (K8) | Connector 180° Connector 90° Cable Connection |

U-ARMS CENTER (STEEL)

Pneumatic Power Clamps | Dimensions and Technical Specifications

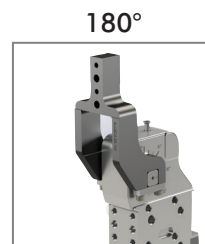
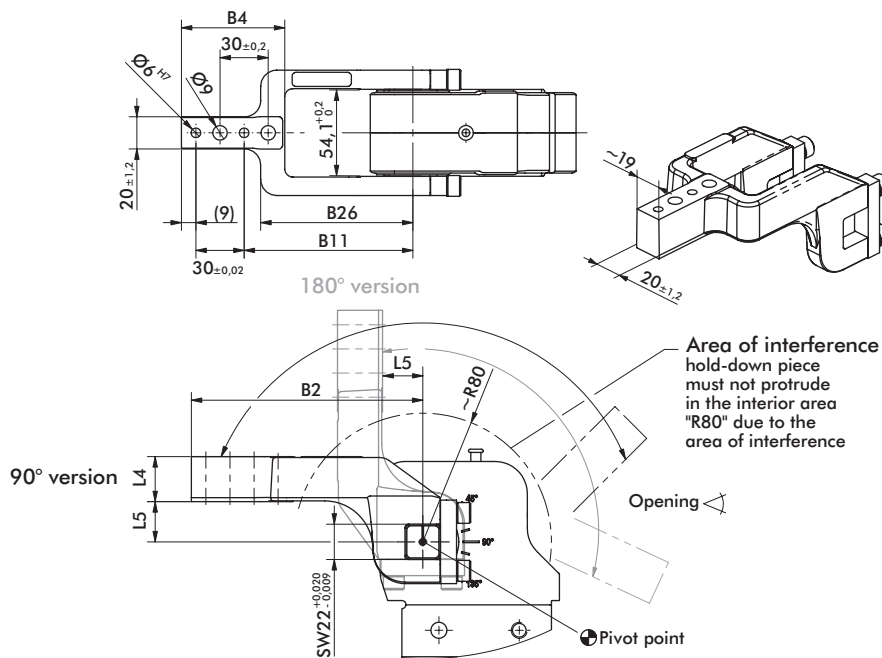
52H-3E****5*** U-Arms Center (Steel)



8UM501-15-144
8UM501-25-144
8UM501-45-144

| Arm Model No. | Max. Opening 90° Version | Max. Opening 180° Version | Weight | L5 |
|---------------|--------------------------|---------------------------|--------|----|
| 8UM501-15-144 | | 105° | | 15 |
| 8UM501-25-144 | 135° | 120° | 1,1 | 25 |
| 8UM501-45-144 | | 135° | | 45 |

52H-3*****6*** U-Arms Center (Steel)



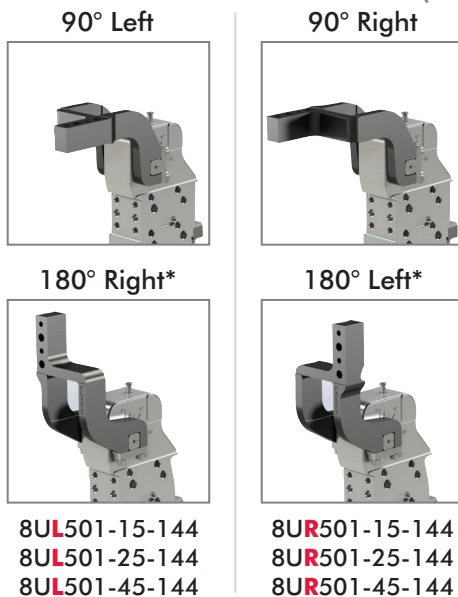
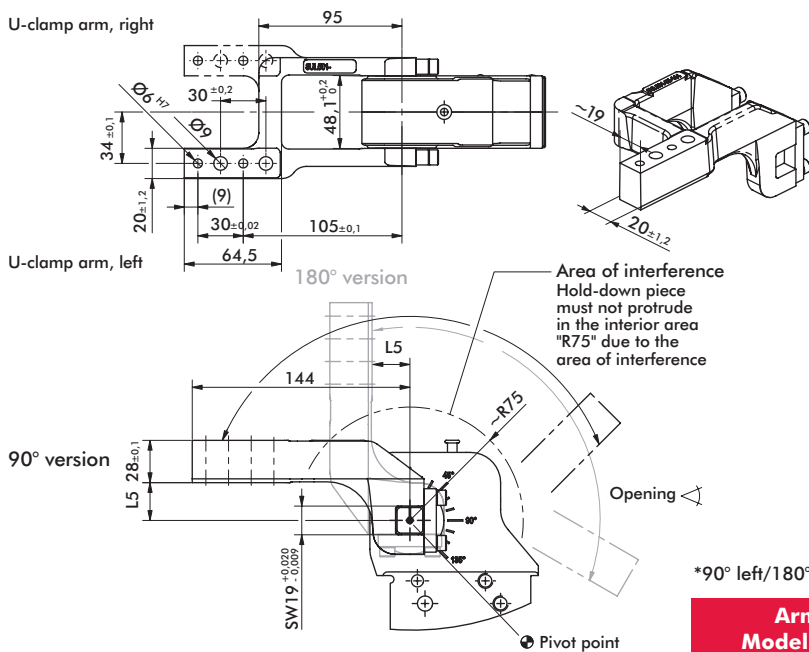
8UM631-15-144
8UM631-25-144
8UM631-45-144
8UM631-75-204

| Arm Model No. | Max. Opening 90° Version | Max. Opening 180° Version | Weight | B2 | B4 | B11 ±0,1 | B26 | L4 ±0,1 | L5 |
|---------------|--------------------------|---------------------------|--------|-----|------|----------|-----|---------|----|
| 8UM631-15-144 | | 105° | 1,1 | | | | | | 15 |
| 8UM631-25-144 | 135° | 120° | 1,2 | 144 | 64,5 | 105 | 95 | 28 | 25 |
| 8UM631-45-144 | | 135° | 1,3 | | | | | | 45 |
| 8UM631-75-204 | | 135° | 1,7 | 204 | 82 | 165 | 107 | 30 | 75 |

U-ARMS OFFSET (STEEL)

Pneumatic Power Clamps | Dimensions and Technical Specifications

52H-3E****5*** U-Arms Offset (Steel)



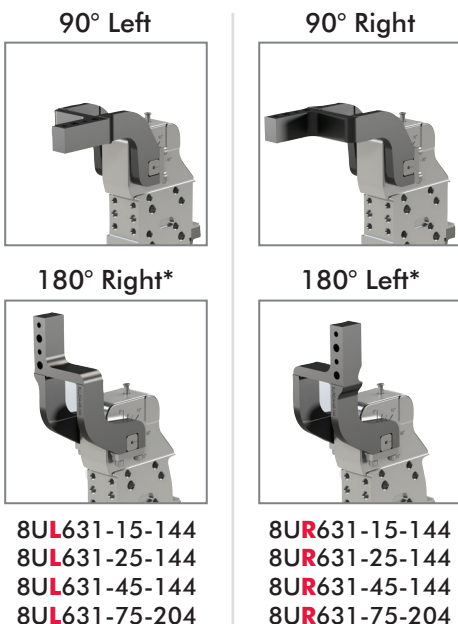
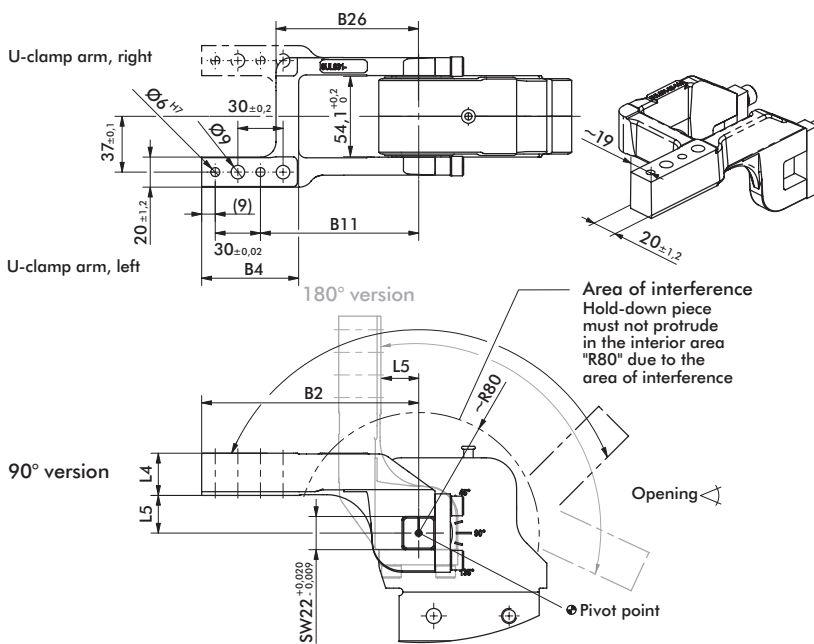
8UL501-15-144
8UL501-25-144
8UL501-45-144

8UR501-15-144
8UR501-25-144
8UR501-45-144

*90° left/180° right uses same clamp arm. 90° right/180° left uses same clamp arm.

| Arm Model No. | Max. Opening 90° Version | Max. Opening 180° Version | Weight | L5 |
|-----------------|--------------------------|---------------------------|--------|----|
| 8U(•)501-15-144 | 135° | 105° | 1,1 | 15 |
| 8U(•)501-25-144 | | 120° | 1,2 | 25 |
| 8U(•)501-45-144 | | 135° | 1,2 | 45 |

52H-3E****6*** U-Arms Offset (Steel)



8UL631-15-144
8UL631-25-144
8UL631-45-144
8UL631-75-204

8UR631-15-144
8UR631-25-144
8UR631-45-144
8UR631-75-204

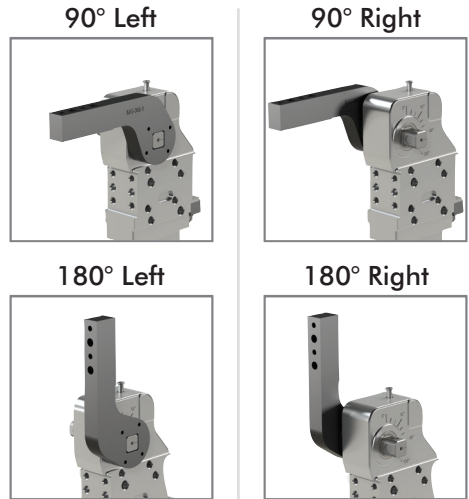
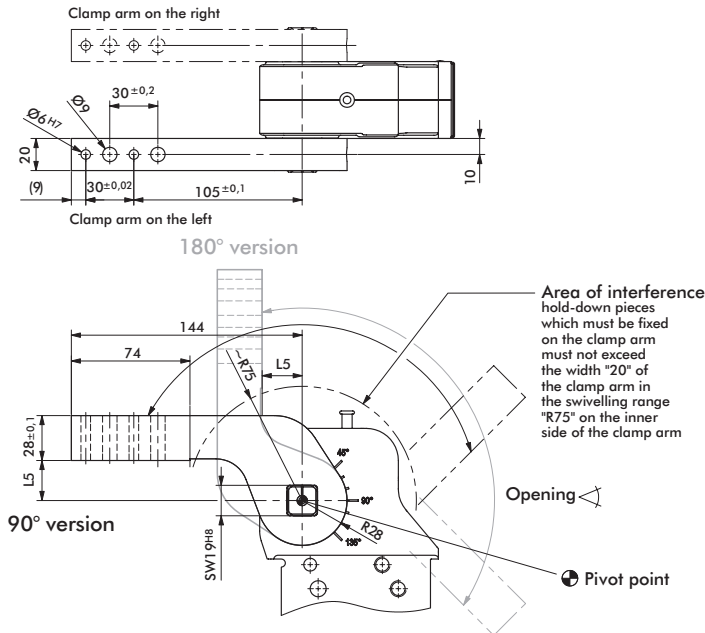
*90° left/180° right uses same clamp arm. 90° right/180° left uses same clamp arm.

| Arm Model No. | Max. Opening 90° Version | Max. Opening 180° Version | Weight | B2 | B4 | B11 ±0,1 | B26 | L4 ±0,1 | L5 |
|-----------------|--------------------------|---------------------------|--------|-----|------|----------|-----|---------|----|
| 8U(•)631-15-144 | 135° | 105° | 1,2 | | | | | 28 | 15 |
| 8U(•)631-25-144 | | 120° | 1,2 | 144 | 64,5 | 105 | 95 | | 25 |
| 8U(•)631-45-144 | | 135° | 1,3 | | | | | | 45 |
| 8U(•)631-75-204 | | 1,9 | 204 | 82 | 165 | 119 | 30 | 75 | |

LATERAL (SIDE) ARMS

Pneumatic Power Clamps | Dimensions and Technical Specifications

52H-3E****5***

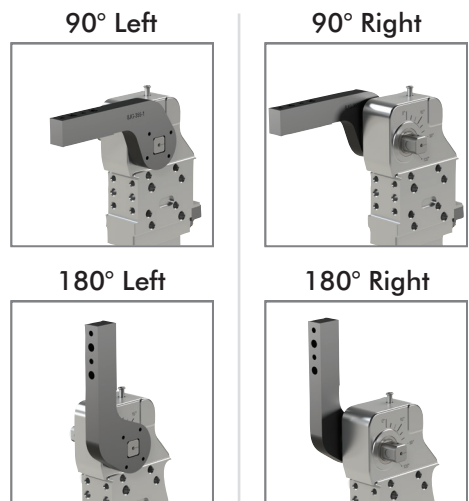
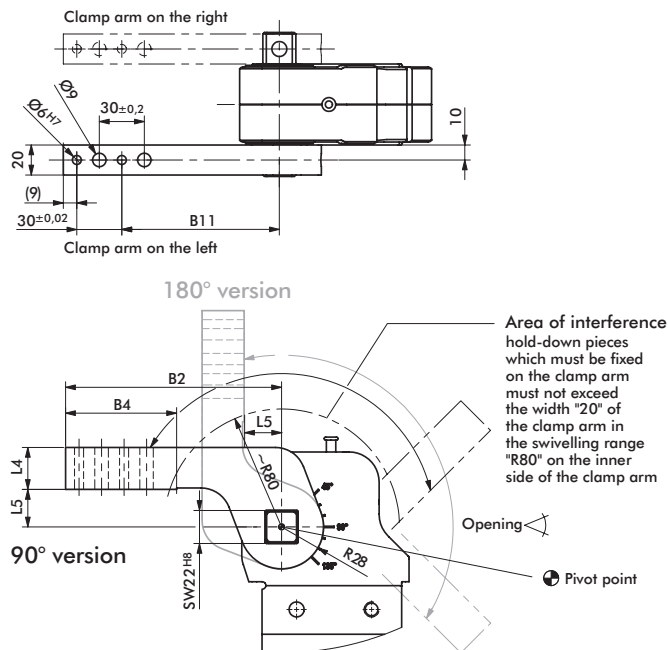


8JG-070-1-01
8S501-25-144

| Arm Model No. | Max. Opening 90° Version | Max. Opening 180° Version | Weight (kg) | L5 |
|---------------|--------------------------|---------------------------|-------------|----|
| 8JG-070-1-01 | 135° | 135° | 0,9 | 15 |
| 8S501-25-144 | | | 1,0 | 25 |

Models with 2 lateral clamp arms requires 2 clamp arm sets.

52H-3E****6***



8JG-080-1-01
8S631-25-144
8S631-45-144
8S631-75-204

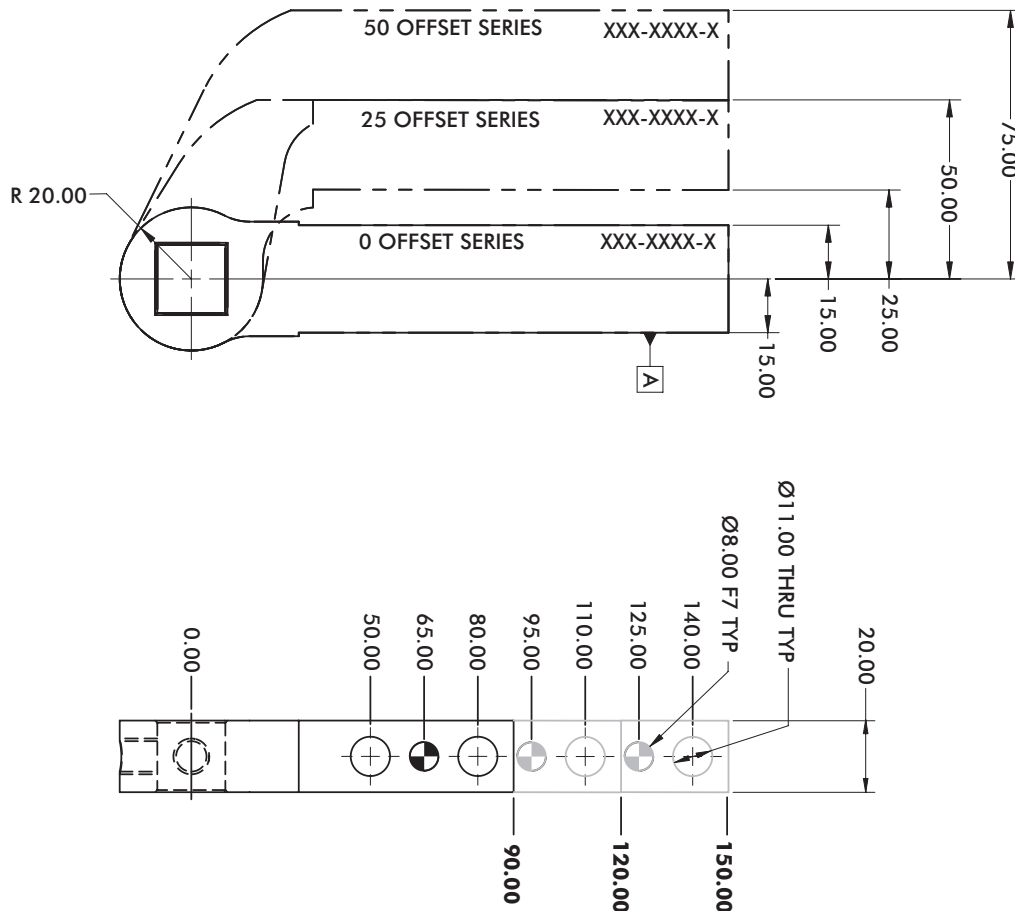
| Arm Model No. | Max. Opening 90° Version | Max. Opening 180° Version | Weight (kg) | B2 | B4 | B11 ±0,1 | L4 ±0,1 | L5 |
|---------------|--------------------------|---------------------------|-------------|-----|----|----------|---------|-----|
| 8JG-080-1-01 | 135° | 135° | 0,9 | 144 | 74 | 105 | 28 | 15 |
| 8S631-25-144 | | | 1,0 | | | | | 25 |
| 8S631-45-144 | | | 1,1 | | | | | 45 |
| 8S631-75-204 | | | 1,5 | | | | | 204 |

Models with 2 lateral clamp arms requires 2 clamp arm sets.

LATERAL (SIDE) ARMS, NAAMS-STYLE

Pneumatic Power Clamps | Dimensions and Technical Specifications

52H-3E* 50mm



9mm Thru Hole (6.00 H7 Dowel)

| 90mm [3.54"] Arm Length | | | 120mm [4.72"] Arm Length | | | 150mm [5.90"] Arm Length | | |
|-------------------------|-----------|-------------|--------------------------|-----------|-------------|--------------------------|-----------|-------------|
| Series | Arm Style | Model | Series | Arm Style | Model | Series | Arm Style | Model |
| 50 Offset | ▲ • 3256 | B8JG-3256-1 | 50 Offset | ▲ • 3257 | B8JG-3257-1 | 50 Offset | ▲ • 3258 | B8JG-3258-1 |
| 25 Offset | ▲ • 3246 | B8JG-3246-1 | 25 Offset | ▲ • 3247 | B8JG-3247-1 | 25 Offset | ▲ • 3248 | B8JG-3248-1 |
| 0 Offset | ▲ • 3236 | B8JG-3236-1 | 0 Offset | ▲ • 3237 | B8JG-3237-1 | 0 Offset | ▲ • 3238 | B8JG-3238-1 |

11mm Thru Hole (8.00 F7 Dowel)

| 90mm [3.54"] Arm Length | | | 120mm [4.72"] Arm Length | | | 150mm [5.90"] Arm Length | | |
|-------------------------|-----------|-------------|--------------------------|-----------|-------------|--------------------------|-----------|-------------|
| Series | Arm Style | Model | Series | Arm Style | Model | Series | Arm Style | Model |
| 50 Offset | ▲ • 1226 | B8JG-1226-1 | 50 Offset | ▲ • 1227 | B8JG-1227-1 | 50 Offset | ▲ • 1228 | B8JG-1228-1 |
| 25 Offset | ▲ • 1216 | B8JG-1216-1 | 25 Offset | ▲ • 1217 | B8JG-1217-1 | 25 Offset | ▲ • 1218 | B8JG-1218-1 |
| 0 Offset | ▲ • 1206 | B8JG-1206-1 | 0 Offset | ▲ • 1207 | B8JG-1207-1 | 0 Offset | ▲ • 1208 | B8JG-1208-1 |

▲ Common in North America

(•) STANDARD ARM OFFERING

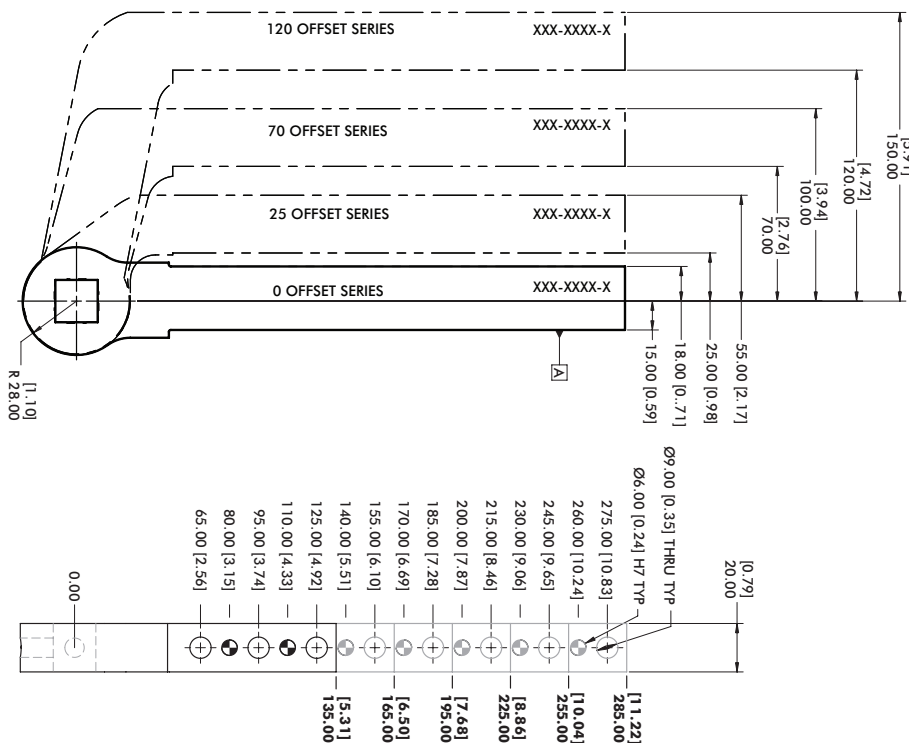
Maximum Opening Angle (shown in locked position)

| Arm Styles | Image 1 | Image 2 | Image 3 | Image 4 | Image 5 | Image 6 |
|---------------------|---------|---------|---------|---------|---------|---------|
| 1206-1208/3236-3238 | 135° | 135° | 100° | 100° | N/A | N/A |
| 1216-1218/3246-3248 | 135° | N/A | 50° | 125° | N/A | 30° |
| 1226-1228/3256-3258 | 125° | N/A | 35° | 135° | N/A | 50° |

LATERAL (SIDE) ARMS, NAAMS-STYLE

Pneumatic Power Clamps | Dimensions and Technical Specifications

52H-3E* 63mm for 23 Clamp Arm Shaft Option



135mm [5.31"] Arm Length

| Series | Arm Style | Model |
|------------|-----------|-------------|
| 120 Offset | ▲ 1543 | B8JG-1543-1 |
| 70 Offset | ▲ 1531 | B8JG-1531-1 |
| 25 Offset | ▲ 1519 | B8JG-1519-1 |
| 0 Offset | ▲ 1507 | B8JG-1507-1 |

165mm [6.50"] Arm Length

| Series | Arm Style | Model |
|------------|-----------|-------------|
| 120 Offset | ▲ 1544 | B8JG-1544-1 |
| 70 Offset | ▲ 1532 | B8JG-1532-1 |
| 25 Offset | ▲ 1520 | B8JG-1520-1 |
| 0 Offset | ▲ 1508 | B8JG-1508-1 |

195mm [7.68"] Arm Length

| Series | Arm Style | Model |
|------------|-----------|-------------|
| 120 Offset | ▲ 1545 | B8JG-1545-1 |
| 70 Offset | ▲ 1533 | B8JG-1533-1 |
| 25 Offset | ▲ 1521 | B8JG-1521-1 |
| 0 Offset | ▲ 1509 | B8JG-1509-1 |

225mm [8.86"] Arm Length

| Series | Arm Style | Model |
|------------|-----------|-------------|
| 120 Offset | ▲ 1546 | B8JG-1546-1 |
| 70 Offset | ▲ 1534 | B8JG-1534-1 |
| 25 Offset | ▲ 1522 | B8JG-1522-1 |
| 0 Offset | ▲ 1510 | B8JG-1510-1 |

255mm [10.04"] Arm Length

| Series | Arm Style | Model |
|------------|-----------|-------------|
| 120 Offset | ▲ 1547 | B8JG-1547-1 |
| 70 Offset | ▲ 1535 | B8JG-1535-1 |
| 25 Offset | ▲ 1523 | B8JG-1523-1 |
| 0 Offset | ▲ 1511 | B8JG-1511-1 |

285mm [11.22"] Arm Length

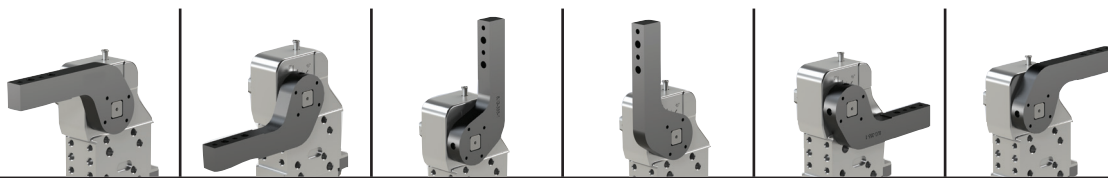
| Series | Arm Style | Model |
|------------|-----------|-------------|
| 120 Offset | ▲ 1548 | B8JG-1548-1 |
| 70 Offset | ▲ 1536 | B8JG-1536-1 |
| 25 Offset | ▲ 1524 | B8JG-1524-1 |
| 0 Offset | ▲ 1512 | B8JG-1512-1 |

▲ Common in North America

(•) STANDARD ARM OFFERING

(i) NON-STANDARD ARM OFFERING (extended leadtimes apply)

Maximum Opening Angle (shown in locked position)

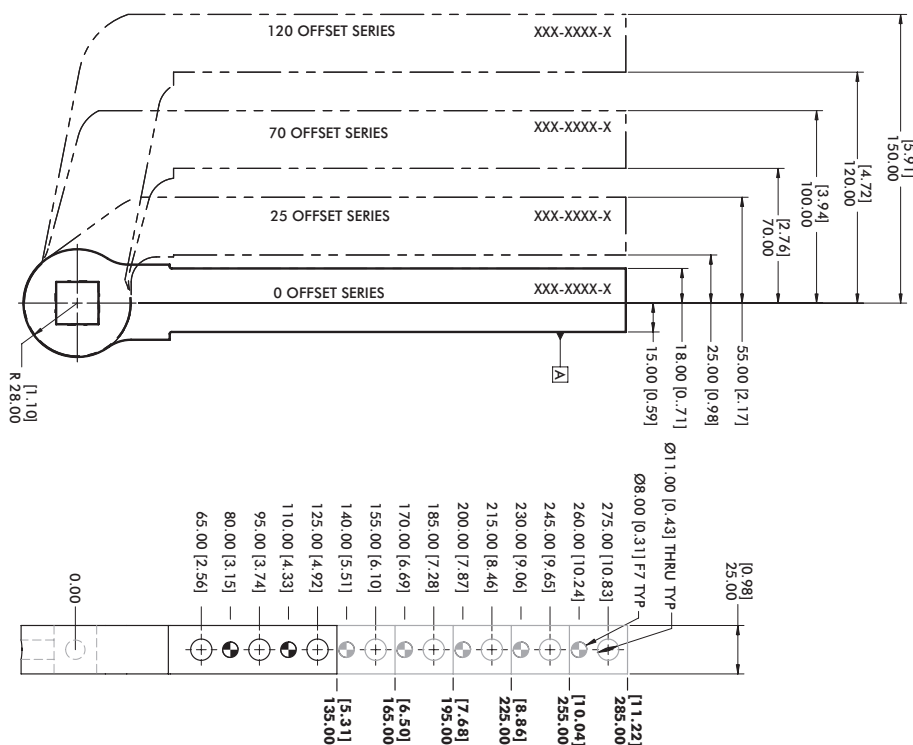


| Arm Styles | 135° | 135° | 100° | 100° | N/A | N/A |
|---------------------|------|------|------|------|-----|-----|
| 1510-1512/1507-1509 | 135° | 135° | 100° | 100° | N/A | N/A |
| 1522-1524/1519-1521 | 135° | N/A | 50° | 130° | N/A | 40° |
| 1534-1536/1531-1533 | 115° | N/A | 25° | 135° | N/A | 75° |
| 1546-1548/1543-1545 | 110° | N/A | 20° | 135° | N/A | 85° |

LATERAL (SIDE) ARMS, NAAMS-STYLE

Pneumatic Power Clamps | Dimensions and Technical Specifications

52H-3E* 63mm for D0 Clamp Arm Shaft Option



135mm [5.31"] Arm Length

| Series | Arm Style | Model |
|------------|-----------|-------------|
| 120 Offset | ▲ • 1043 | B8JG-1043-1 |
| 70 Offset | ▲ • 1031 | B8JG-1031-1 |
| 25 Offset | ▲ • 1019 | B8JG-1019-1 |
| 0 Offset | ▲ • 1007 | B8JG-1007-1 |

165mm [6.50"] Arm Length

| Series | Arm Style | Model |
|------------|-----------|-------------|
| 120 Offset | ▲ ① 1044 | B8JG-1044-1 |
| 70 Offset | ▲ • 1032 | B8JG-1032-1 |
| 25 Offset | ▲ • 1020 | B8JG-1020-1 |
| 0 Offset | ▲ • 1008 | B8JG-1008-1 |

195mm [7.68"] Arm Length

| Series | Arm Style | Model |
|------------|-----------|-------------|
| 120 Offset | ▲ ① 1045 | B8JG-1045-1 |
| 70 Offset | ▲ • 1033 | B8JG-1033-1 |
| 25 Offset | ▲ ① 1021 | B8JG-1021-1 |
| 0 Offset | ▲ • 1009 | B8JG-1009-1 |

225mm [8.86"] Arm Length

| Series | Arm Style | Model |
|------------|-----------|-------------|
| 120 Offset | ▲ ① 1046 | B8JG-1046-1 |
| 70 Offset | ▲ • 1034 | B8JG-1034-1 |
| 25 Offset | ▲ ① 1022 | B8JG-1022-1 |
| 0 Offset | ▲ ① 1010 | B8JG-1010-1 |

255mm [10.04"] Arm Length

| Series | Arm Style | Model |
|------------|-----------|-------------|
| 120 Offset | ▲ ① 1047 | B8JG-1047-1 |
| 70 Offset | ▲ • 1035 | B8JG-1035-1 |
| 25 Offset | ▲ ① 1023 | B8JG-1023-1 |
| 0 Offset | ▲ ① 1011 | B8JG-1011-1 |

285mm [11.22"] Arm Length

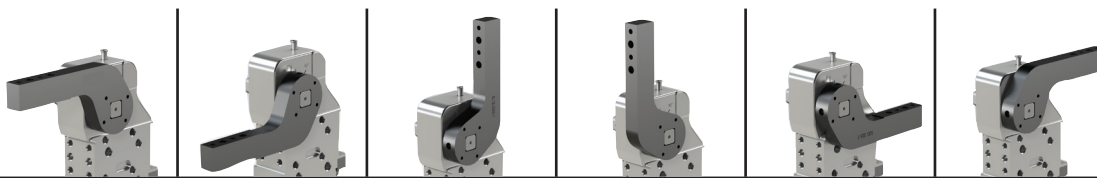
| Series | Arm Style | Model |
|------------|-----------|-------------|
| 120 Offset | ▲ ① 1048 | B8JG-1048-1 |
| 70 Offset | ▲ ① 1036 | B8JG-1036-1 |
| 25 Offset | ▲ ① 1024 | B8JG-1024-1 |
| 0 Offset | ▲ ① 1012 | B8JG-1012-1 |

▲ Common in North America

(•) STANDARD ARM OFFERING

① NON-STANDARD ARM OFFERING (extended leadtimes apply)

Maximum Opening Angle (shown in locked position)



| Arm Styles | 135° | 135° | 100° | 100° | N/A | N/A |
|---------------------|------|------|------|------|-----|-----|
| 1010-1012/1007-1009 | 135° | 135° | 100° | 100° | N/A | N/A |
| 1022-1024/1019-1021 | 135° | N/A | 50° | 130° | N/A | 40° |
| 1034-1036/1031-1033 | 115° | N/A | 25° | 135° | N/A | 75° |
| 1046-1048/1043-1045 | 110° | N/A | 20° | 135° | N/A | 85° |