



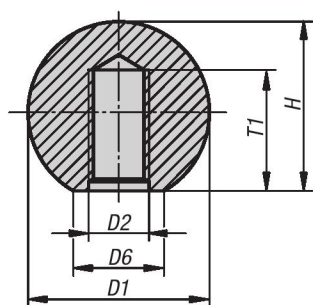
# Ball Knobs

in thermoplastic to DIN 319 extended

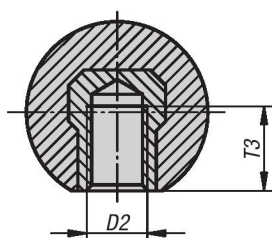
METRIC  
Parts



Style C  
plastic thread



Style E  
tapped bushing



**Material:**

Black thermoplastic,  
bushing in steel.

**Type:**

Steel galvanized.

**Part Number Example:**

K0158.11604

**On request:**

Other colors.

## KIPP Ball Knobs in thermoplastic to DIN 319 extended, metric

Item No.	Style	D1	D2	~D6	~H	T1 min.	T3 min.
K0158.11604	C	16	M4	8	15	6	-
K0158.11605	C	16	M5	8	15	7,5	-
K0158.12005	C	20	M5	12	18	7,5	-
K0158.12006	C	20	M6	12	18	9	-
K0158.12506	C	25	M6	15	22,5	9	-
K0158.12508	C	25	M8	15	22,5	12	-
K0158.13208	C	32	M8	18	29	12	-
K0158.13210	C	32	M10	18	29	15	-
K0158.22005	E	20	M5	12	18	-	7,5
K0158.22006	E	20	M6	12	18	-	7,5
K0158.22506	E	25	M6	15	22,5	-	9
K0158.22508	E	25	M8	15	22,5	-	9
K0158.23208	E	32	M8	18	29	-	12
K0158.23210	E	32	M10	18	29	-	12