

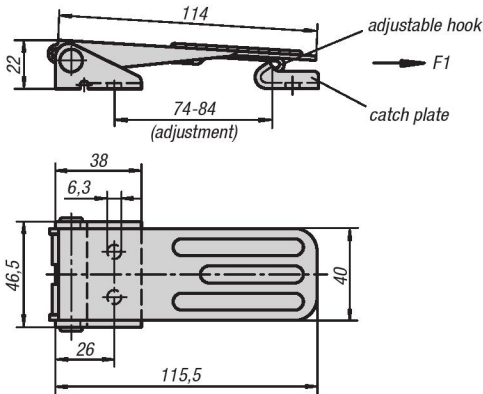


Adjustable Latches

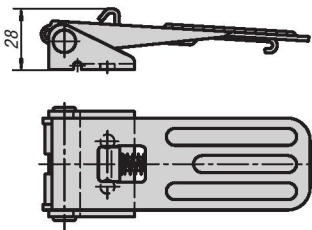
screw-on holes covered

METRIC
Parts

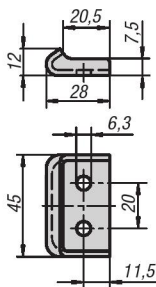
Style A
standard



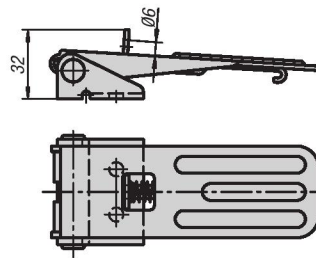
Style B
with safety catch



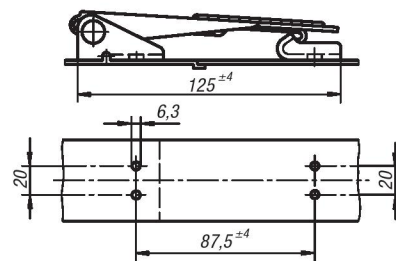
catch plate
Style A



Style C
for padlock



hole arrangement for mounting with catch plate



Material:
Steel or stainless steel 1.4301

Type:
Galvanized and blue chromate.
stainless steel natural finish.

Part Number Example:
Latch K0049.1631161
Catch plate K0048.9163281

Note:
Adjustable latches are safe locking systems for industrial applications. By exceeding the dead center they resist vibration. These latches are very robust and have a low overall height.

After the hook is engaged with the catch plate, by pushing the lever down the parts to be locked can be drawn together by up to 6 mm. To compensate for tolerances or to create enough tension, the hook length can be adjusted using the M6 threaded spindle.

The latches can be screwed down riveted.

Order required catch plate separately.

The retaining force F1 applies to the latch, not the catch plate.

KIPP Adjustable Latches screw-on holes covered, metric

Item No. steel	Item No. stainless steel	Style	Retaining force F1 N
K0049.1631161	K0049.1631162	A	4000
K0049.2631161	K0049.2631162	B	4000
K0049.3631161	K0049.3631162	C	4000

KIPP Catch plate, metric

Item No. steel	Item No. stainless steel	Style
K0048.9163281	K0048.9163282	A