

UNI lock 5-axis reducer adapter system size 50 mm

Item description/product images

Description

Material:

Steel.

Version:

Body oxidised.

Contact surfaces case-hardened and ground.

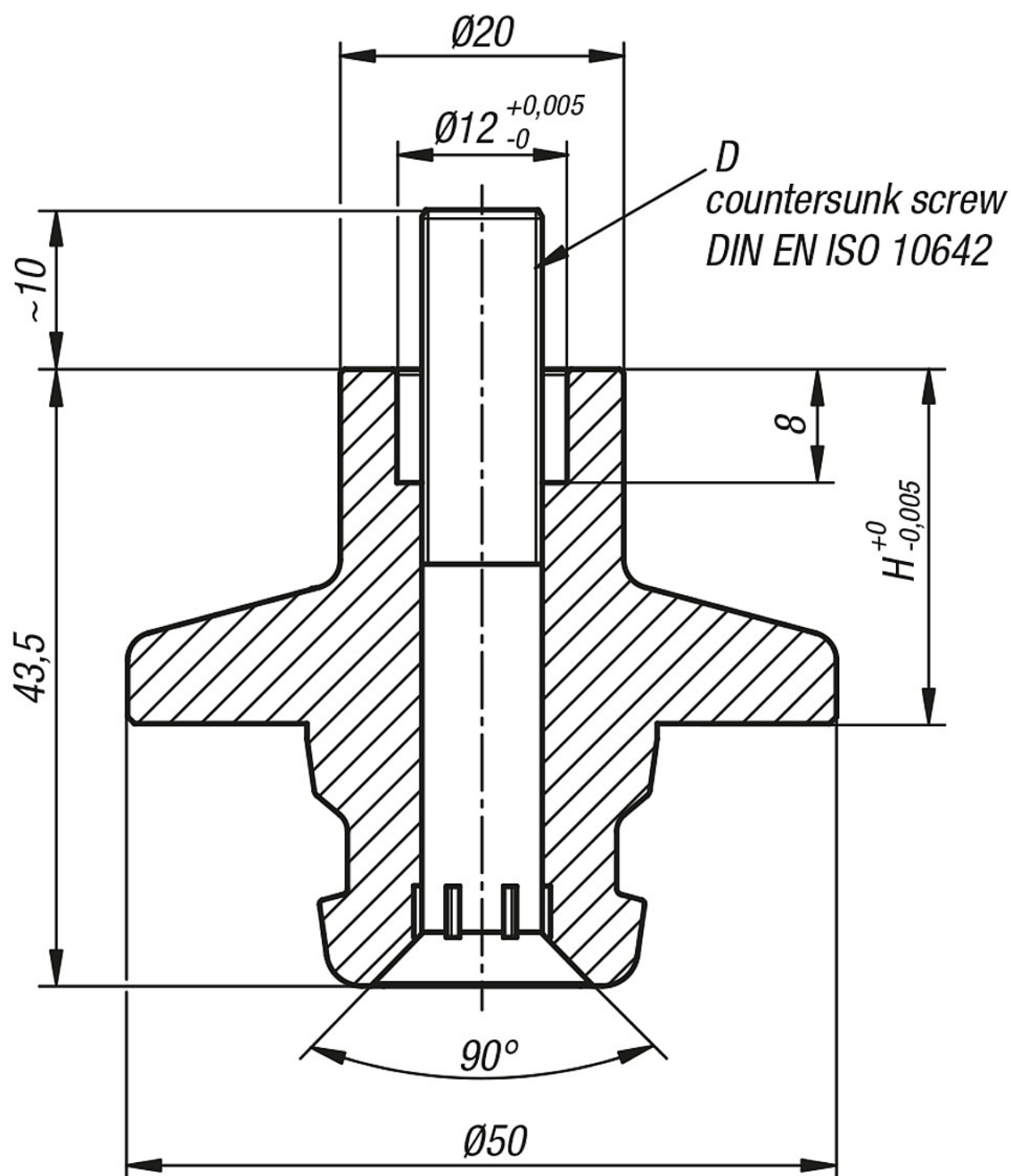
Note:

The UNI lock 5-axis reducer adapter is suitable for clamping and positioning workpieces.

Reducer adapters can be screwed onto the workpiece and mounted on the basic module or add-on clamp module.

UNI lock 5-axis reducer adapter system size 50 mm

Drawings



Overview of items

UNI lock 5-axis reducer adapter, system size 50 mm

K1120**UNI lock 5-axis reducer adapter system size 50 mm****Overview of items**

Order No.	Design	D	H
K1120.251081	A	M8	25