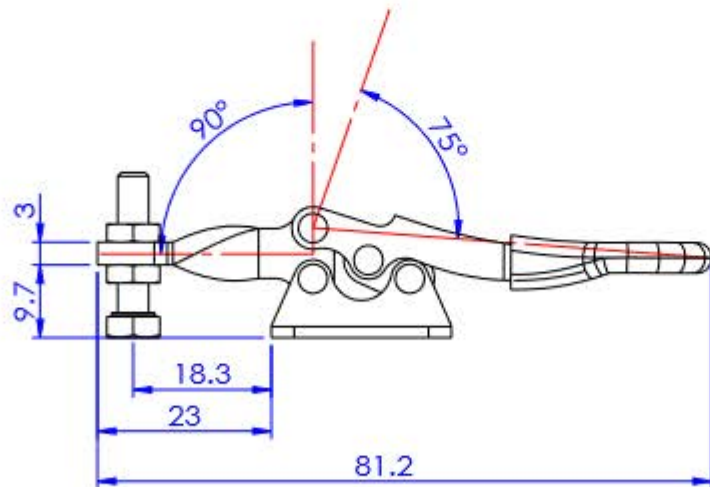
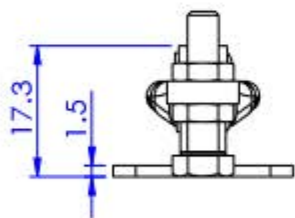
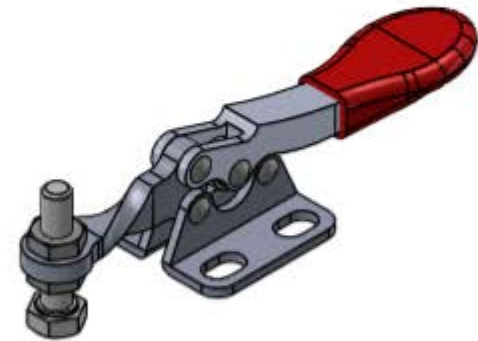
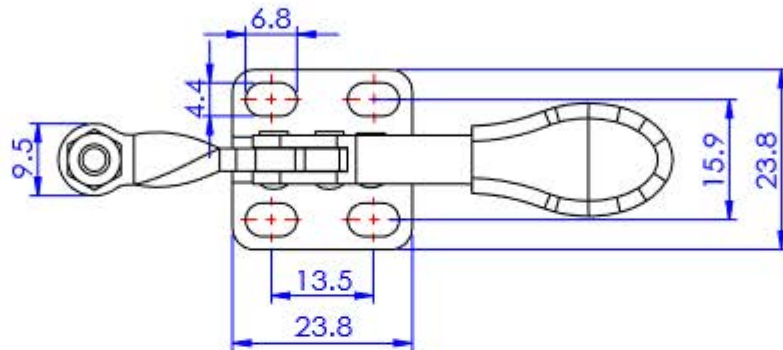


Part No:	GH-201-ASS
Holding Capacity:	27Kg
Bar Opens:	90°
Handle Opens:	75°
Weight:	0.03Kg
Spindle Supplied:	SA-042007-SS



Unit : mm

Scale: 1:1

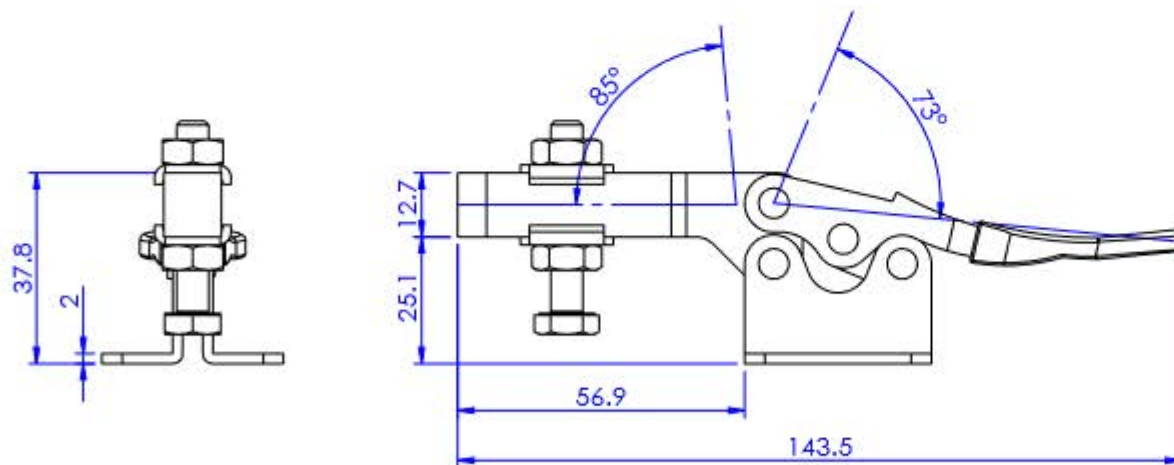
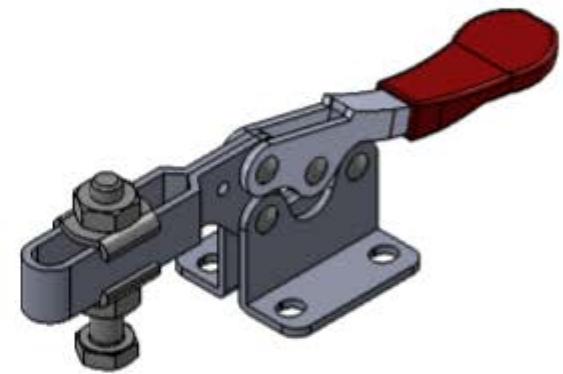
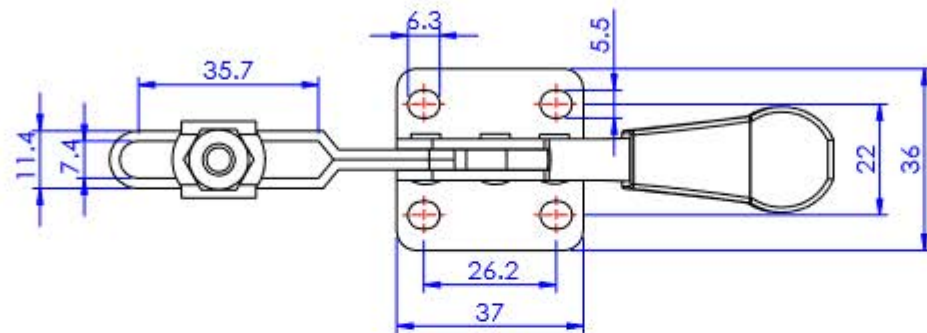
Good Hand UK Ltd

TITLE:

DWG NO. GH-201-ASS

A4

Part No:	GH-201-BSS
Holding Capacity:	90Kg
Bar Opens:	85°
Handle Opens:	73°
Weight:	0.13Kg
Spindle Supplied:	SA-064010-SS
Flanged Washers:	FW-140-SS



Unit:mm
Scale: 1:1.5

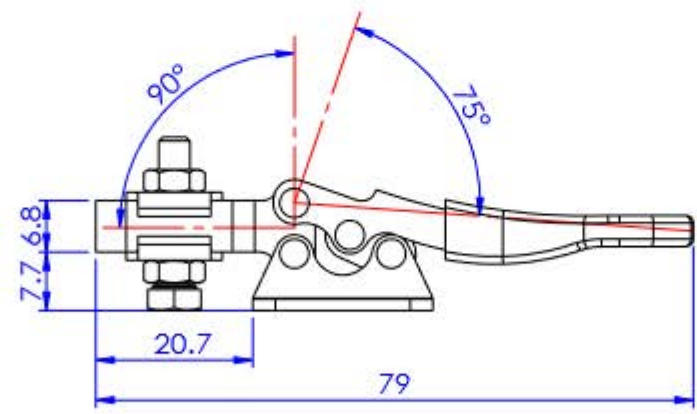
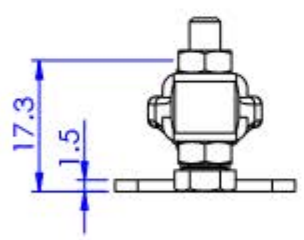
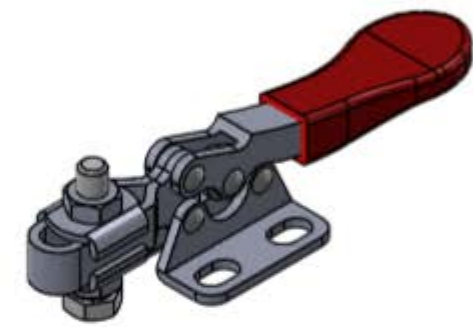
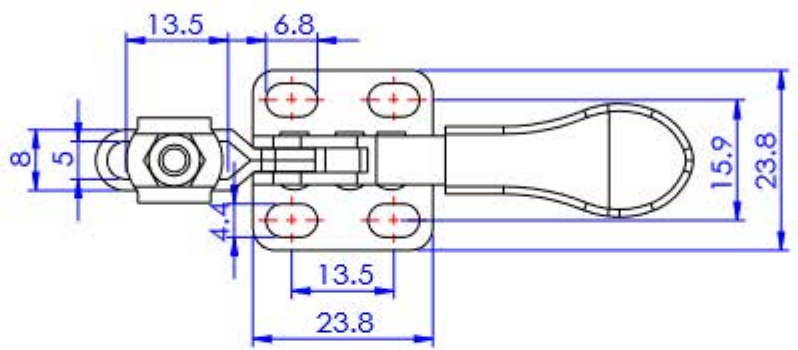
Good Hand UK Ltd

TITLE:

DWG NO. GH-201-BSS

A4

Part No:	GH-201-SS
Holding Capacity:	27Kg
Bar Opens:	90°
Handle Opens:	75°
Weight:	0.03Kg
Spindle Supplied:	SA-042007-SS
Flanged Washers:	FW-080-SS



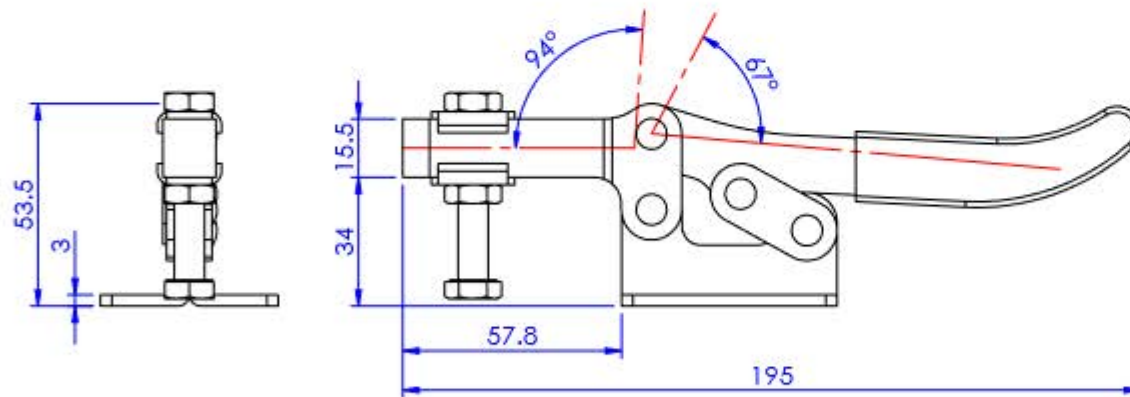
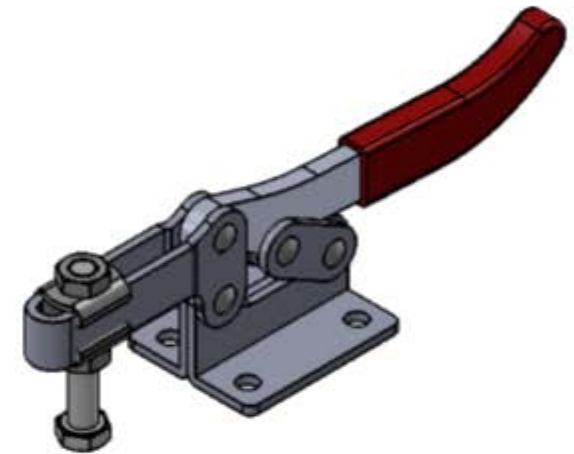
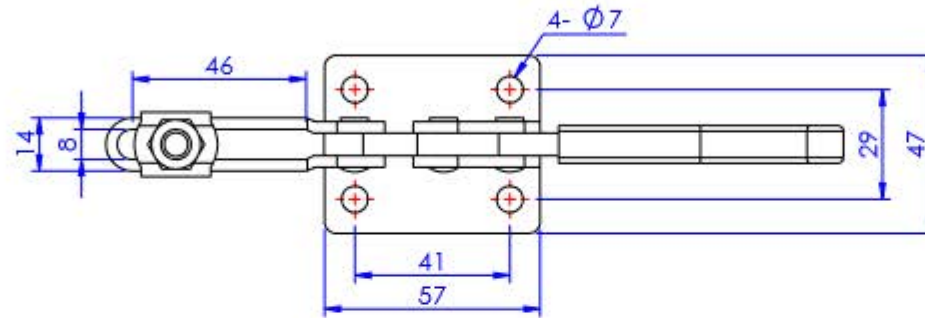
Unit:mm

Scale: 1:1

Good Hand UK Ltd

TITLE:		
DWG NO.	GH-201-SS	A4

Part No:	GH-203-FSS
Holding Capacity:	227Kg
Bar Opens:	94°
Handle Opens:	67°
Weight:	0.35Kg
Spindle Supplied:	SA-085012-SS
Flanged Washers:	FW-516-SS



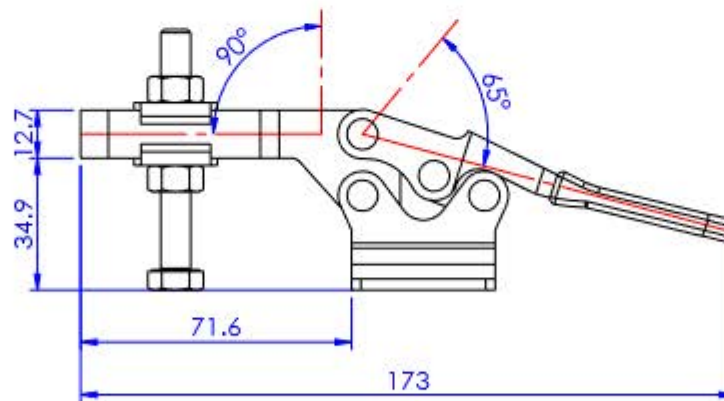
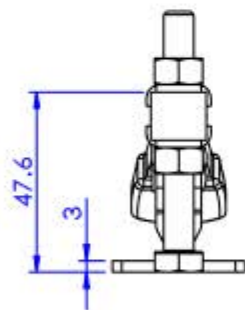
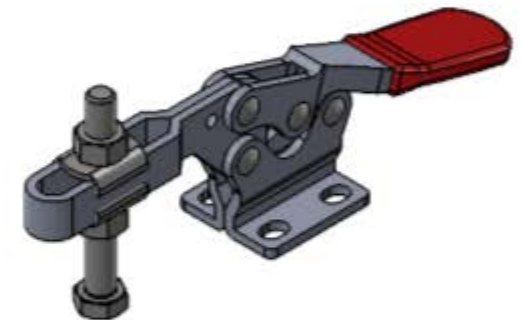
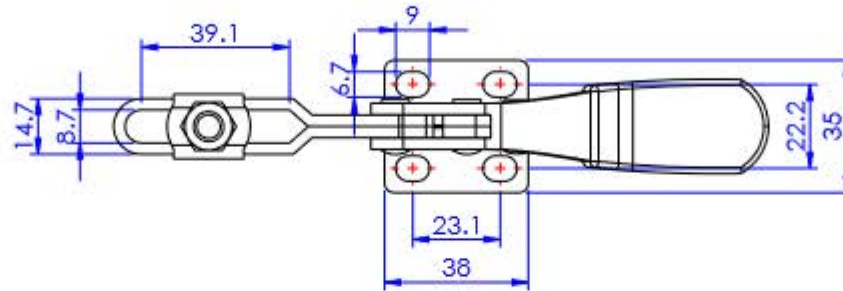
Unit:mm
Scale : 1:2

 **Good Hand Enterprise Co., Ltd**

TITLE:

DWG NO. GH-203-FSS A4

Part No:	GH-225-DSS
Holding Capacity:	227Kg
Bar Opens:	90°
Handle Opens:	65°
Weight:	0.26Kg
Spindle Supplied:	SA-085012-SS
Flanged Washers:	FW-516-SS



Unit:mm
Scale: 1:2

Good Hand UK Ltd

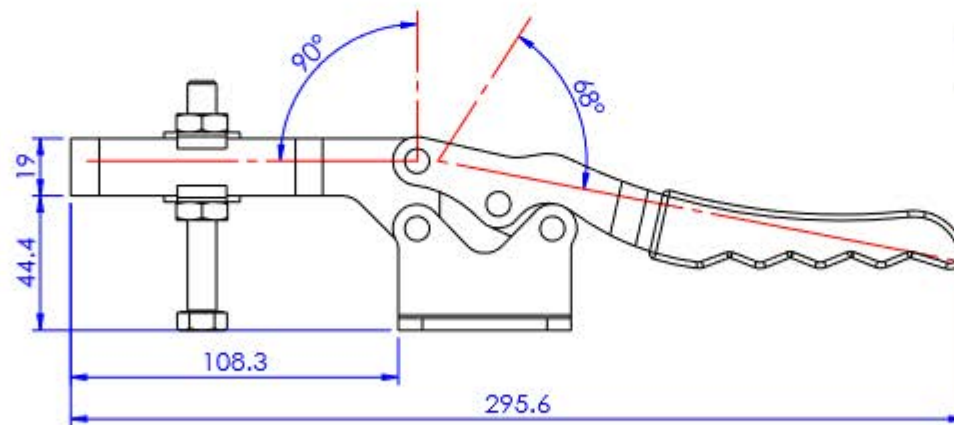
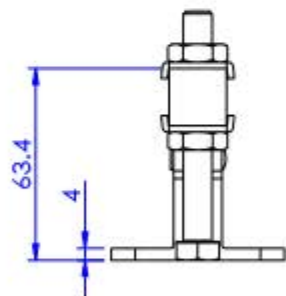
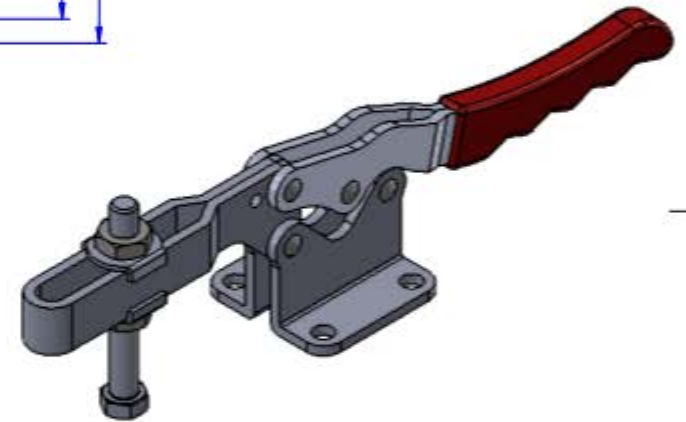
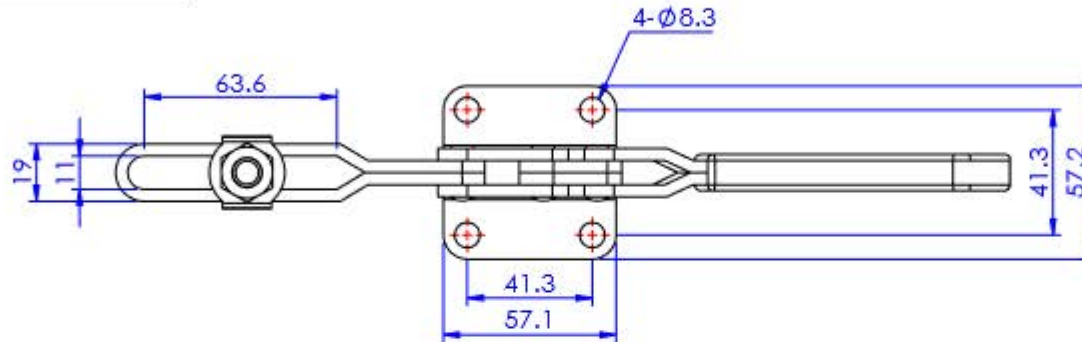
TITLE:

DWG NO.

GH-225-DSS

A4

Part No:	GH-20235-SS
Holding Capacity:	340Kg
Bar Opens:	90°
Handle Opens:	68°
Weight:	0.61Kg
Spindle Supplied:	SA-107515-SS
Flanged Washers:	FW-380-SS



Unit:mm
Scale : 1:2.5

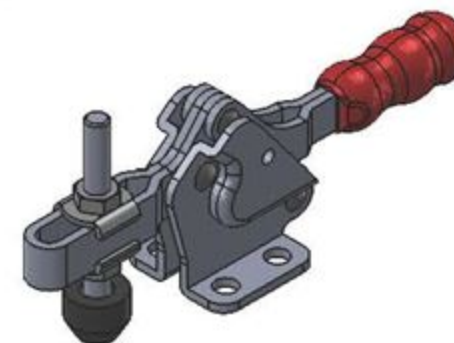
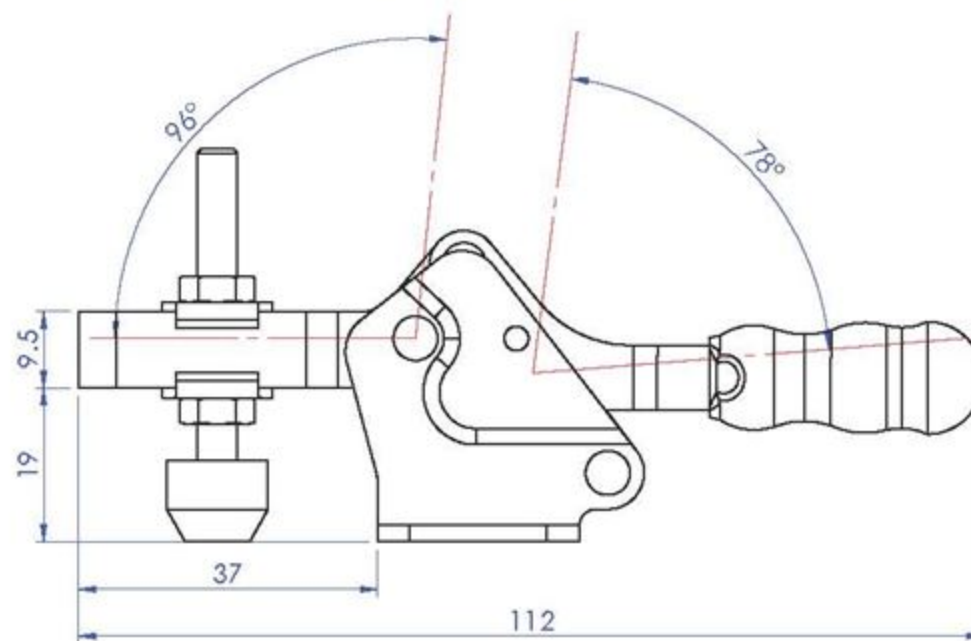
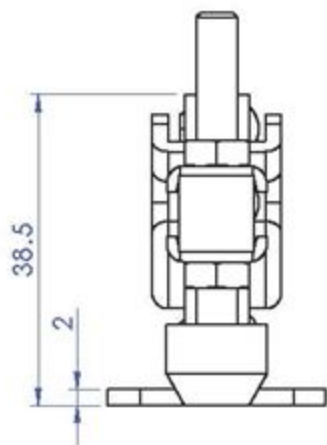
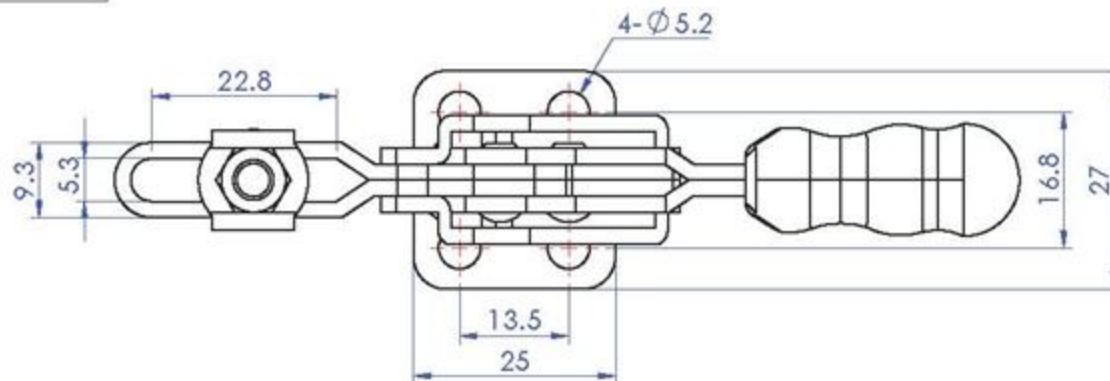
Good Hand UK Ltd

TITLE:

DWG NO. GH-20235-SS

A4

Part No:	GH-20752-BSS
Holding Capacity:	75Kg
Bar Opens:	96°
Handle Opens:	78°
Weight:	0.91Kg
Spindle Supplied:	SA-054008-SS+NC-05
Flanged Washers:	FW-100-SS



Unit:mm
Scale: 1:1

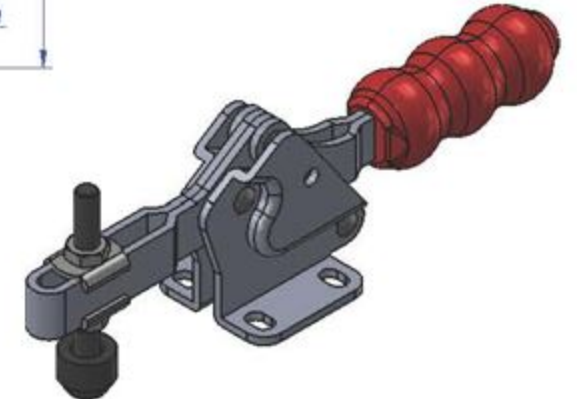
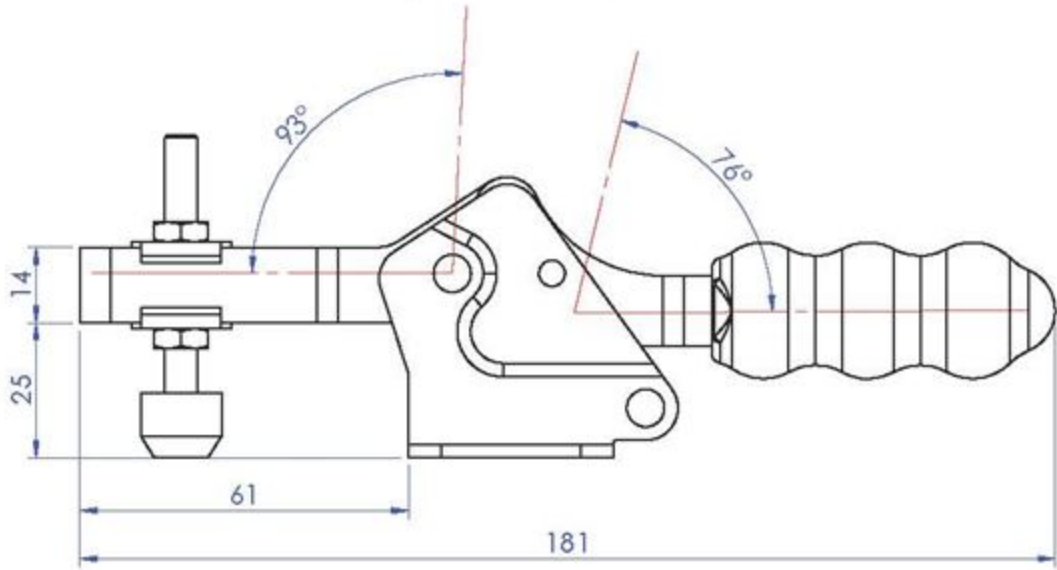
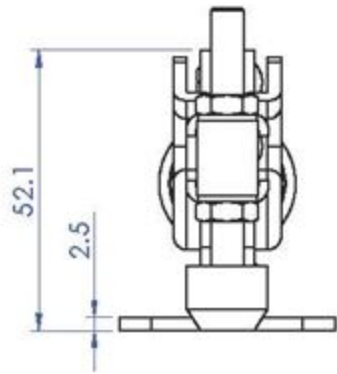
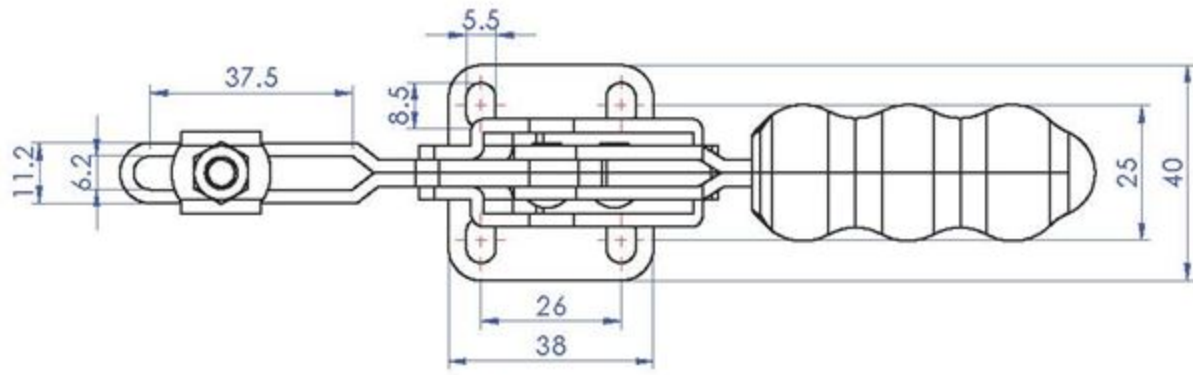
Good Hand UK Ltd

TITLE:

DWG NO. GH-20752-BSS

A4

Part No:	GH-21502-BSS
Holding Capacity:	150Kg
Bar Opens:	93°
Handle Opens:	76°
Weight:	0.245Kg
Spindle Supplied:	SA-065010-SS+NC-06
Flanged Washers:	FW-140-SS



Unit:mm
Scale: 1:1.5

Good Hand UK Ltd	
TITLE:	
DWG NO.	GH-21502-BSS
	A4