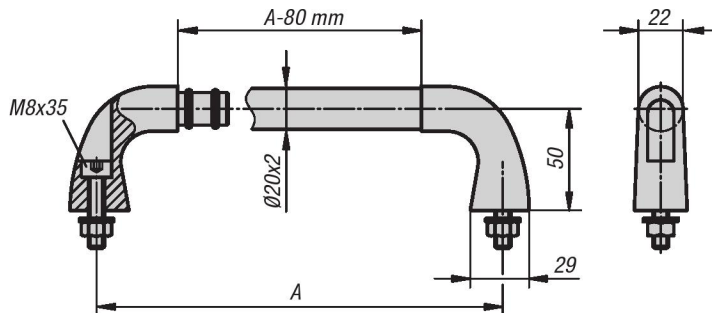


Pull Handles

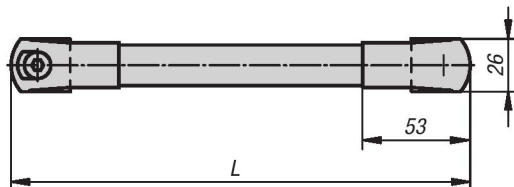
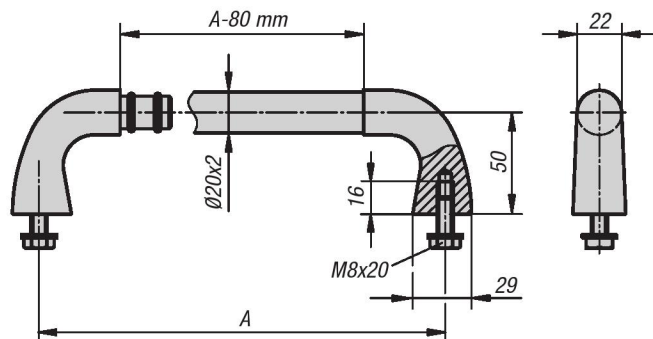
stainless steel, three-piece tube design



Style A
Front mounted



Style B
Rear mounted



Material:

Connecting tube and fasteners made of stainless steel 1.4301

Handle shank precision cast 1.4581

Type:

Tube handle finely ground or with ribbed black plastic sleeve.

Shanks abrasive cleaned and matt gloss electropolished.

Part Number Example:

K0227.200081

Note:

Hardware included for front mount (Style A), or rear mount (Style B).

KIPP Pull Handles stainless steel, three-piece tube design, metric

Item No.	Style	Version	A	L	Load capacity N
K0227.200081	A	tube ground	200	226	1000
K0227.300081	A	tube ground	300	326	1000
K0227.400081	A	tube ground	400	426	1000
K0227.200082	A	tube with plastic cover	200	226	1000
K0227.300082	A	tube with plastic cover	300	326	1000
K0227.400082	A	tube with plastic cover	400	426	1000
K0227.200083	B	tube ground	200	226	1000
K0227.300083	B	tube ground	300	326	1000
K0227.400083	B	tube ground	400	426	1000
K0227.200084	B	tube with plastic cover	200	226	1000
K0227.300084	B	tube with plastic cover	300	326	1000
K0227.400084	B	tube with plastic cover	400	426	1000