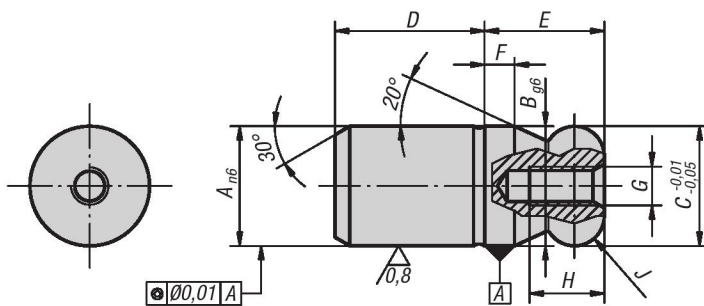




# Locating Components

with ball end, Style A

METRIC  
Parts



**Material:**

Tool steel or stainless steel 1.4305.

**Type:**

Steel hardened and ground.

Stainless steel ground and kolsterized.

**Part Number Example:**

K0350.12

**Note:**

Ball end locating pins are specially designed to ease the locating process. The tendency to jam, caused by the locating hole not being at right angles to the pin or by the pushing force not being parallel to the pin axis, is minimized by the ball end form. (See the illustration for K0351 Style B)

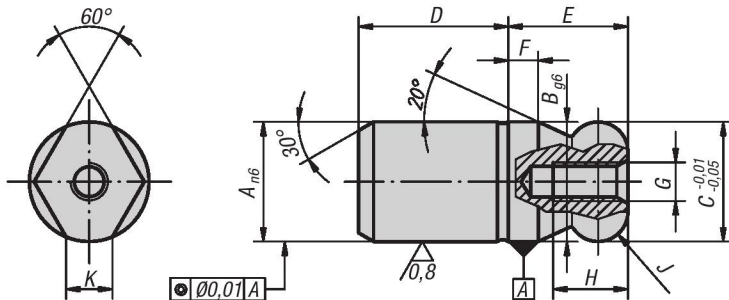
## KIPP Locating Components with ball end Style A, metric

Item No. steel	Item No. stainless steel	A	B	C	D	E	F	G	H	J
K0350.08	K0350.508	8	8	8	10	8	2	M3	6	R 2
K0350.10	K0350.510	10	10	10	13	10	2,5	M3	6	R 2,5
K0350.12	K0350.512	12	12	12	15	12	3	M4	8	R 3
K0350.16	K0350.516	16	16	16	20	16	4	M5	10	R 4
K0350.20	K0350.520	20	20	20	25	20	5	M5	10	R 5
K0350.25	-	25	25	25	25	25	6	M5	10	R 6
K0350.30	-	30	30	30	30	30	8	M6	12	R 8
K0350.40	-	40	40	40	40	40	10	M6	12	R 10
K0350.50	-	50	50	50	50	50	12	M6	12	R 12

# Locating Components

with flattened ball end, Style C

METRIC  
Parts



### Material:

Tool steel or stainless steel 1.4305

### Type:

Steel hardened and ground.  
Stainless steel ground and kolsterized.

### Part Number Example:

K0350.162

### Note:

Ball end locating pins are specially designed to ease the locating process. The tendency to jam, caused by the locating hole not being at right angles to the pin or by the pushing force not being parallel to the pin axis, is minimized by the ball end form. (See the illustration for K0351 Style B)

## KIPP Locating Components with flattened ball end Style C, metric

Item No. steel	Item No. stainless steel	A	B	C	D	E	F	G	H	J	K
K0350.082	K0350.5082	8	8	8	10	8	2	M3	6	R 2	1,9
K0350.102	K0350.5102	10	10	10	13	10	2,5	M3	6	R 2,5	2,5
K0350.122	K0350.5122	12	12	12	15	12	3	M4	8	R 3	2,5
K0350.162	K0350.5162	16	16	16	20	16	4	M5	10	R 4	4,3
K0350.202	K0350.5202	20	20	20	25	20	5	M5	10	R 5	5
K0350.252	-	25	25	25	25	25	6	M5	10	R 6	5,6
K0350.302	-	30	30	30	30	30	8	M6	12	R 8	8,8
K0350.402	-	40	40	40	40	40	10	M6	12	R 10	12,8
K0350.502	-	50	50	50	50	50	12	M6	12	R 12	16,7