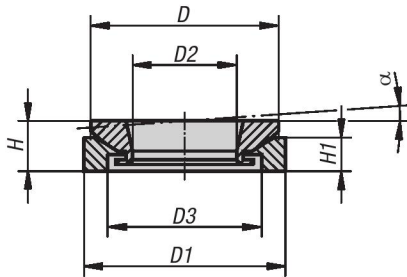


Ball head position adjusters

METRIC
Parts



Material:

Steel 1.7225.

Stainless steel 1.4305.

Type:

Steel blue chromate.

Stainless steel natural finish.

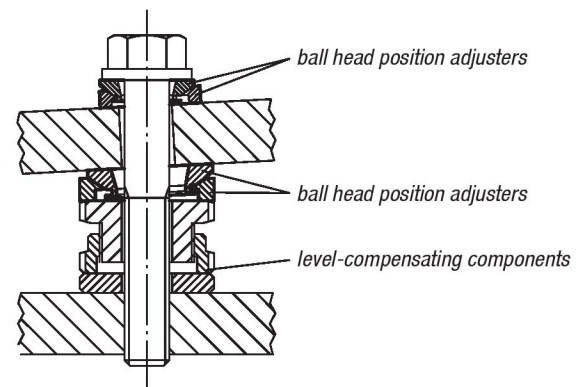
Part Number Example:

K0691.151

Note:

The Ball head position adjuster allows exact positioning when assembling sloping bases up to approx. 4° angle of inclination. A further Ball head position adjuster is recommended as a base in sloped positions of $D3 > 1^\circ$ for evenly positioning the bolts. Top and bottom can not fall apart as they are secured.

application example:



KIPP Ball head position adjusters, metric

Item No. steel	Item No. stainless steel	H	H1	D	D1	D2	D3	α
K0691.151	K0691.152	8	5,5	23	25	8,5	15	4°
K0691.201	K0691.202	10	6,2	30	32	13	20	4°
K0691.301	K0691.302	12,5	9	40	45	20	30	4°
K0691.401	K0691.402	16	13	52	58	29	38	4°
K0691.501	K0691.502	20	14	65	70	36	48	4°