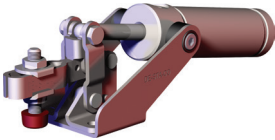
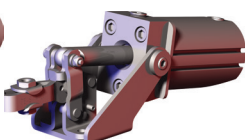
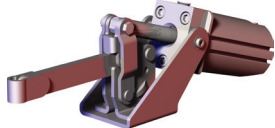
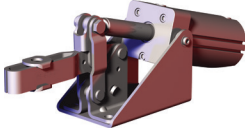
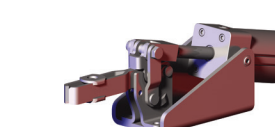
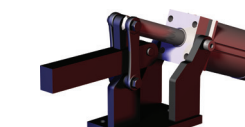
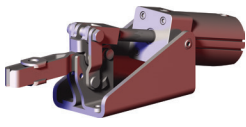
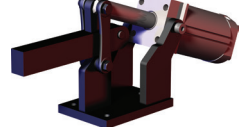
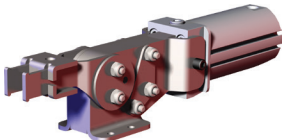
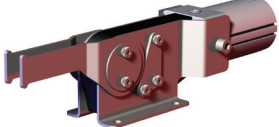


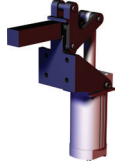
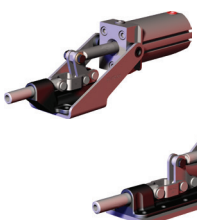
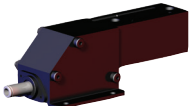
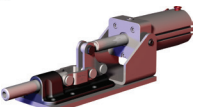
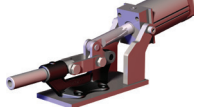
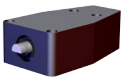
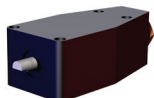
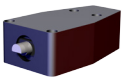


# PNEUMATIC TOGGLE CLAMPS

## Sizing and Application Chart

DE-STA-CO Pneumatic Clamps use air-actuated cylinders to operate the clamping action. They are ideal for quick and repetitive production operations, and yet are portable and economical to use on short run jobs with temporary fixturing

		Max. Holding Capacity N[lbf.]							Max. Exerting Force at 5bar[72PSI] N[lbf.]						
Series	Page: MC-PTC-#	0 to 1000 [0 to 225]	1000 to 2000 [225 to 450]	2000 to 3000 [450 to 675]	3000 to 5000 [675 to 1125]	5000 to 7000 [1125 to 1575]	7000 to 10000 [1575 to 2250]	10000+ [2250+]	0 to 1000 [0 to 225]	1000 to 2000 [225 to 450]	2000 to 3000 [450 to 675]	3000 to 4000 [675 to 900]	4000 to 5000 [900 to 1125]	5000 to 6000 [1125 to 1350]	6000 to 8000 [1350 to 1800]
	812	3													
	802	5													
	807	7													
	810	9													
	846	11													
	847	15													
	8007	13													
	858	17													
	8021	19													
	8071	19													
	8101	19													
	817	21													
	827	21													
	868	23													
	803	25													
	8031	26													
	830	27													
	850	28													
	800	29													
	1200	29													

# PNEUMATIC TOGGLE CLAMPS

## Sizing and Application Chart

Overall Height mm [inch]	Overall Length mm [inch]	Overall Width mm [inch]	Suitable Application Area	Arm Style		Service Environ- ment	
				U-Bar Version	Solid Arm Version	Normal	Harsh/Dirty
0 to 50 [0 to 1.97]							
50 to 75 [1.97 to 2.95]							
75 to 100 [2.95 to 3.94]							
100 to 125 [3.94 to 4.92]							
125 to 150 [4.92 to 5.91]							
150 to 175 [5.91 to 6.89]							
175 to 200 [6.89 to 7.87]							
200 to 225 [7.87 to 8.86]							
225 to 250 [8.86 to 9.84]							
250 to 275 [9.84 to 10.83]							
275+ [10.83+]							
125 to 150 [4.92 to 5.91]							
150 to 175 [5.91 to 6.89]							
175 to 200 [6.89 to 7.87]							
200 to 225 [7.87 to 8.86]							
225 to 250 [8.86 to 9.84]							
250 to 300 [9.84 to 11.81]							
300 to 400 [11.81 to 15.75]							
400+ [15.75+]							
20 to 40 [0.78 to 1.57]							
40 to 60 [1.57 to 2.36]							
60 to 80 [2.36 to 3.15]							
80 to 100 [3.15 to 3.94]							
100 to 120 [3.94 to 4.72]							
			Welding				
			Assembly				
			Light Machining				
			Duty Cycle				
			Accommodates Workpiece Variation				
					U-Bar Version		
					Solid Arm Version		
					Normal		
					Harsh/Dirty		

● Excellent/High ○ Fair/Medium ● Poor/Low ⊗ Not Recommended

# 812 SERIES

## Pneumatic Toggle Clamps | Product Overview

### Features:

- Smallest of the pneumatic hold down series
- Pneumatic version of Model 201-U

### Applications:

- Assembly
- Welding

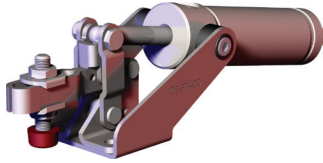
### Also Available:

See page MC-ACC-1  
for spindle accessories

See page MC-SCA-1  
for sensing options

High temperature version available  
Upon Request as Model 812-**U-HT**

### 812-U



## Technical Information, Holding Capacities

Model	Maximum Holding Capacity		Maximum Exerting Force @ 5bar [72PSI]		Weight	Bore Size	Air Consumption† dm <sup>3</sup> [ft <sup>3</sup> ]	Port Size	Accessories (Supplied)	
	Inner	Outer	Inner	Outer					Spindle Accessory	Flanged Washers
<b>812-U</b>	[100 lbf] 440 N	[55 lbf] 245 N	[136 lbf] 613 N	[92 lbf] 413 N	[0.46lb] 0,21kg	[0.75] 19,1	[0.003] 0,09	M5	305208-M	102111

†Per double stroke at 5bar [72PSI]

**Max. Operating Temp:** -23°C to 74°C [-10°F to 165°F]

**Optional Sensors:** 810156, 810158

**Replacement Clamp Assembly:** 812-U-LC

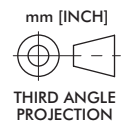
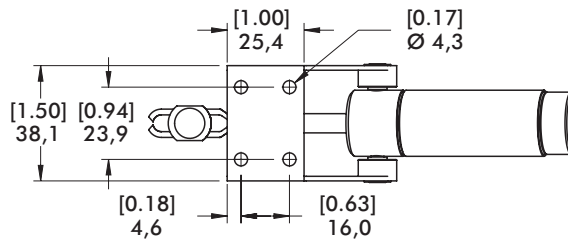
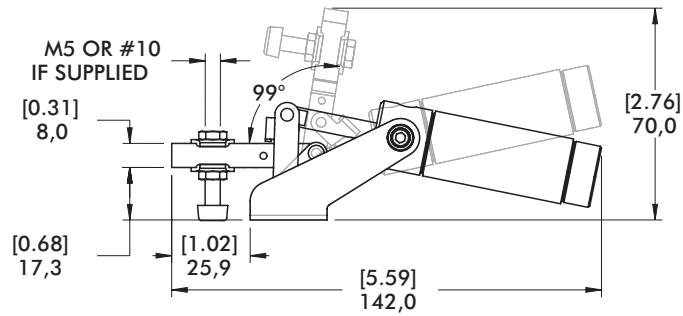
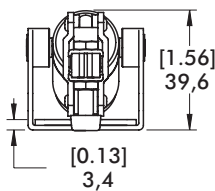
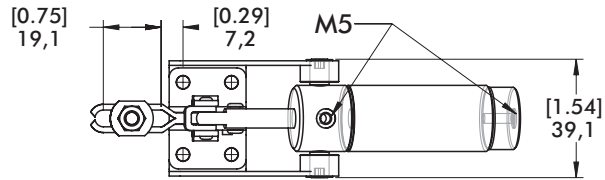
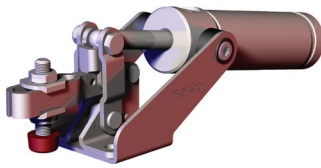
In no case should the inlet pressure be high enough to create an exerting force that exceeds the clamp's holding capacity.

See Technical Appendix Section for details.

# 812 SERIES

## Pneumatic Toggle Clamps | Dimensions

812-U



**Note:**

Model 812-U requires either 810156 or 810158 sensors. Two (2) sensors are required if detecting both open and closed positions. These sensors use 810156-1 (included with sensors) band clamp to mount the sensor to the cylinder wall.



# 802 SERIES

## Pneumatic Toggle Clamps | Product Overview

### Features:

- Pneumatic version of Model 202-U
- Sensor ready for T-slot or round sensors

### Applications:

- Assembly
- Welding

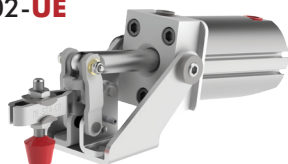
### Also Available:

See page MC-ACC-1  
for spindle accessories

See page MC-SCA-1  
for sensing options

High temperature version available  
Upon Request, add **-HT** to model  
number. Example: 802-U-**HT**

802-U  
802-UE



## Series 802 Technical Information, Holding Capacities

Model	Maximum Holding Capacity		Max. Exerting Force @ 5bar [72PSI]		Weight	Bore Size	Air Consumption† dm <sup>3</sup> [ft <sup>3</sup> ]	Port Size	Accessories (Supplied)	
	Inner	Outer	Inner	Outer					Spindle Accessory	Flanged Washers
802-U	[200 lbf] 890 N	[110 lbf] 490 N	[450 lbf] 2010 N	[234 lbf] 1045 N	[1.60lb] 0,73kg	[1.26] 32	[0.012] 0,34	1/8 NPT G-1/8	202208-M	215105
802-UE										

†Per double stroke at 5bar [72PSI]

**Max Cylinder Pressure:** 10bar [145psig]\*

**Max Operating Temp:** -10°C to 90°C [-14°F to 194°F]

**Replacement Seal Kit:** 802450-32-1-00

**Replacement Clamp Assembly:** 802-U-LC

\*In no case should the inlet pressure be high enough to create an exerting force that exceeds the clamp's holding capacity. See Technical Appendix for details.

### Sensor Accessories

Round Reed Switch with Quick Disconnect

### Item Number

810169

T-slot Reed Switch with Quick Disconnect

8EA-109-1

Quick Disconnect 2M Extension Cable

CABL-010

Quick Disconnect 5M Extension Cable

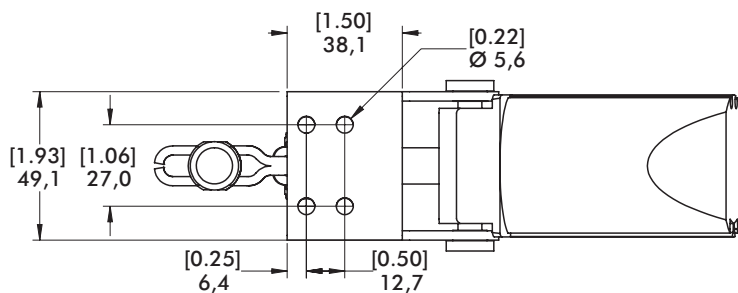
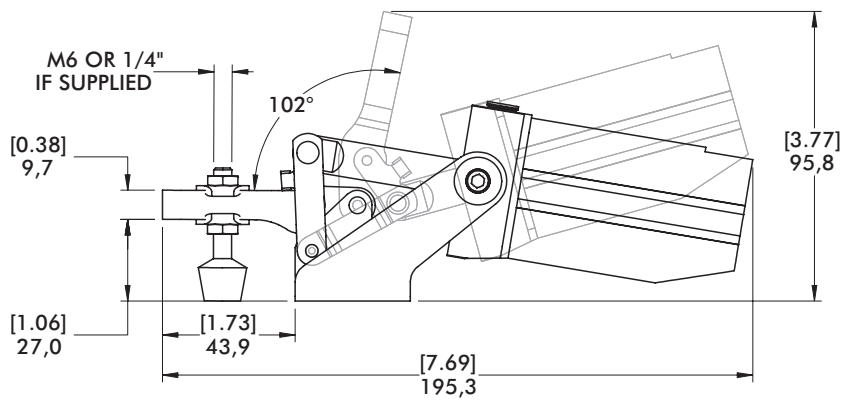
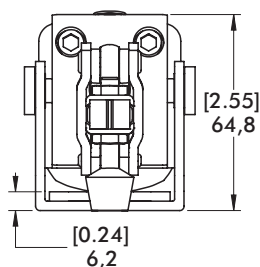
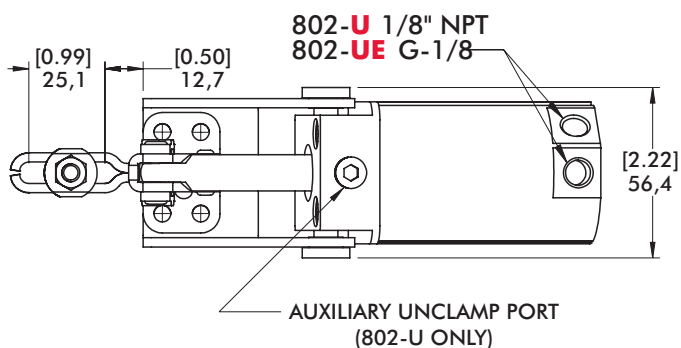
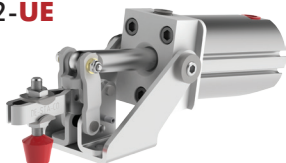
CABL-013

See Pneumatic Accessories section for more options

# 802 SERIES

## Pneumatic Toggle Clamps | Dimensions

**802-U**  
**802-UE**



mm [INCH]  
THIRD ANGLE PROJECTION

# 807 SERIES

## Pneumatic Toggle Clamps | Product Overview

### Features:

- Pneumatic version of Series 207 manual clamps
- Sensor ready for round or T-slot sensors.
- Built-in flow restriction eliminates need for external flow controls

### Applications:

- Assembly
- Welding

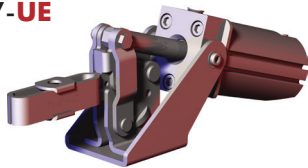
### Also Available:

See page MC-ACC-1 for spindle accessories

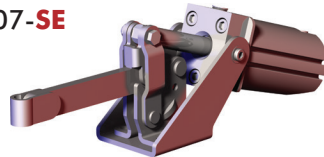
See page MC-SCA-1 for sensing options

High temperature version available  
Upon Request, add **-HT** to model number. Example: 807-U-**HT**

807-U  
807-UE



807-S  
807-SE



## Series 807 Technical Information, Holding Capacities

Model	Maximum Holding Capacity		Maximum Exerting Force @ 5bar [72PSI]		Weight	Bore Size	Air Consumption† dm³ [ft³]	Port Size	Accessories (Supplied)		
	Inner	Outer	Inner	Outer					Spindle Accessory	Flanged Washers	Bolt Retainer
807-U	[375 lbf]	[275 lbf]	[576 lbf]	[297 lbf]	[1.66lb]	[1.26]	[0.015]	1/8 NPT	--	507107	--
807-UE	1670 N	1220 N	2573 N	1327 N				G-1/8	2007208-M		
807-S	[500 lbf]	[260 lbf]	[540 lbf]	[180 lbf]	0,75kg	32	0,42	1/8 NPT	--	--	207105
807-SE	2220 N	1160 N	2412 N	804 N				G-1/8			

†Per double stroke at 5bar [72PSI]

**Max Cylinder Pressure:** 10bar [145psig]\*

**Max Operating Temp:** -10°C to 90°C [-14°F to 194°F]

**Replacement Seal Kit:** 802450-32-1-00

**Replacement Clamp Assembly:** 807-U-LC, 807-S-LC

\*In no case should the inlet pressure be high enough to create an exerting force that exceeds the clamp's holding capacity. See Technical Appendix for details.

### Sensor Accessories

Round Reed Switch with Quick Disconnect

T-slot Reed Switch with Quick Disconnect

Quick Disconnect 2M Extension Cable

Quick Disconnect 5M Extension Cable

### Item Number

810169

8EA-109-1

CABL-010

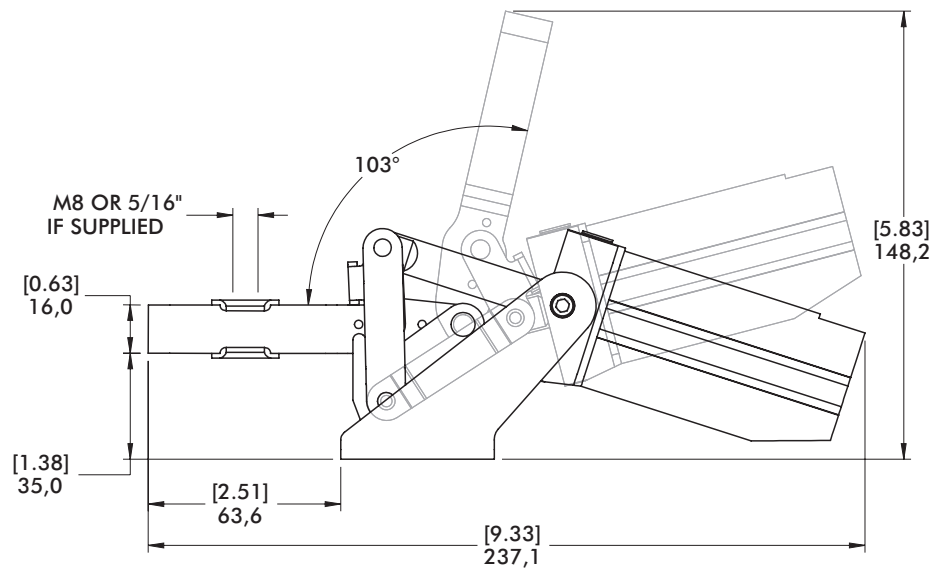
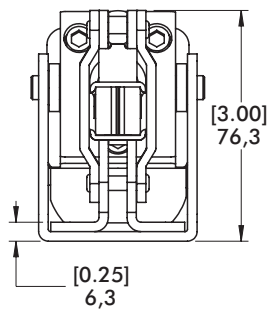
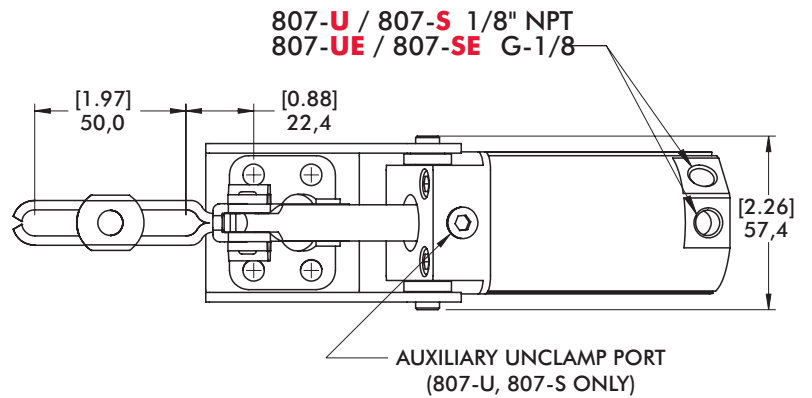
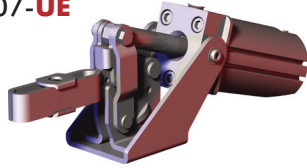
CABL-013

See Pneumatic Accessories section for more options

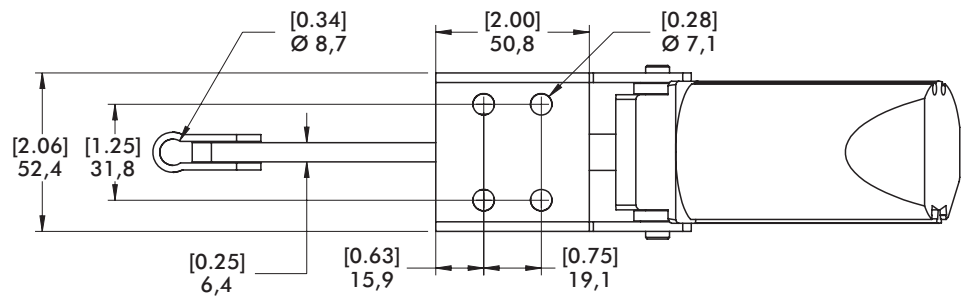
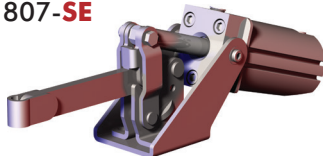
# 807 SERIES

## Pneumatic Toggle Clamps | Dimensions

**807-U**  
**807-UE**



**807-S**  
**807-SE**



mm [INCH]



THIRD ANGLE PROJECTION



# 810 SERIES

## Pneumatic Toggle Clamps | Product Overview

### Features:

- Pneumatic version of Series 210 manual clamps
- Sensor ready for round or T-slot style sensors
- Built-in flow restriction eliminates need for external flow controls

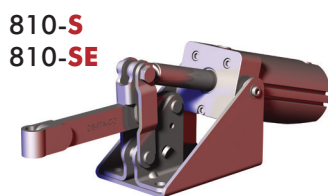
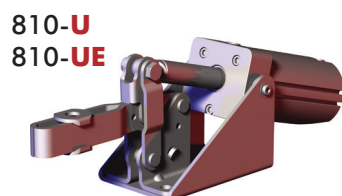
### Applications:

- Assembly
- Welding

### Also Available:

See page MC-ACC-1 for spindle accessories

See page MC-SCA-1 for sensing options



## Series 810 Technical Information, Holding Capacities

Model	Maximum Holding Capacity		Maximum Exerting Force @ 5bar [72PSI]		Weight	Bore Size	Air Consumption dm <sup>3</sup> [ft <sup>3</sup> ]	Port Size	Accessories (Supplied)		
	Inner	Outer	Inner	Outer					Spindle Accessory	Flanged Washers	Bolt Retainer
810-U	[600 lbf]	[290 lbf]	[856 lbf]					1/8 NPT	--		
810-UE	2670 N	1290 N	3834 N	[407 lbf]	[4.07lb]	[1.57]	[0.029]	G-1/8	240208-M	235106	--
810-S	[750 lbf]	[500 lbf]	[702 lbf]	1823 N	1,85kg	40	0,83	1/8 NPT	--	--	210114
810-SE	3340 N	2220 N	3143 N					G-1/8			

†Per double stroke at 5bar [72PSI]

**Max Cylinder Pressure:** 10bar [145psig]\*

**Max Operating Temp:** -10°C to 90°C [-14°F to 194°F]

**Replacement Seal Kit:** 810450-40-1-00

**Replacement Clamp Assembly:** 810-U-LC, 810-S-LC

\*In no case should the inlet pressure be high enough to create an exerting force that exceeds the clamp's holding capacity.

### Sensor Accessories

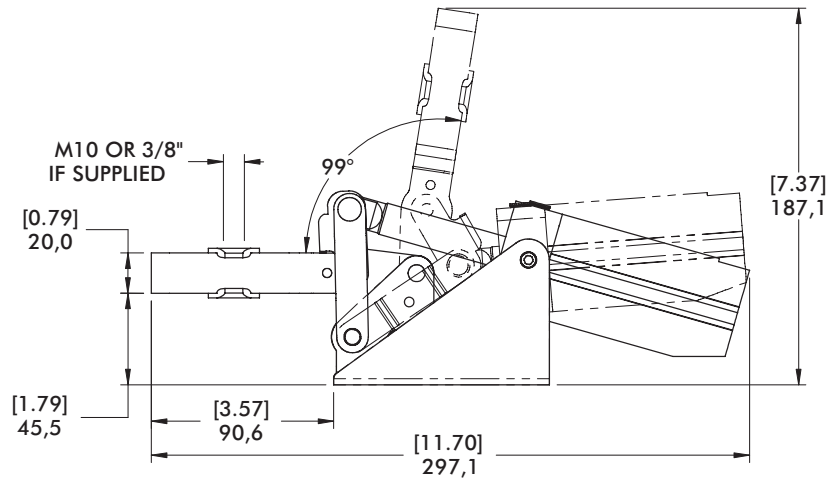
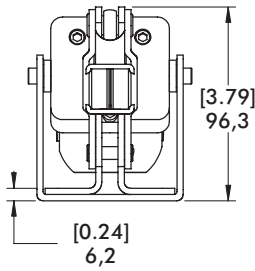
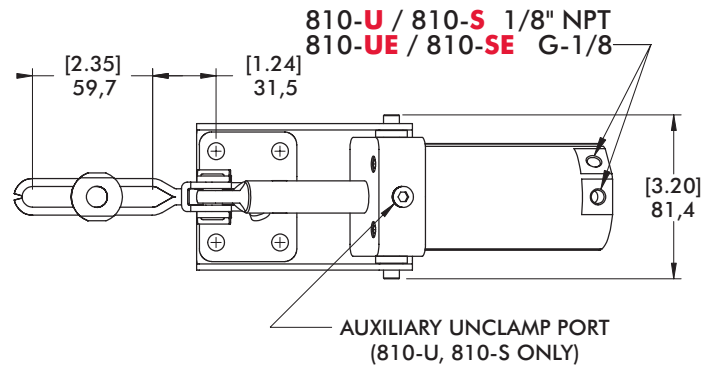
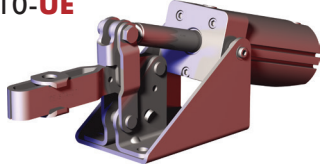
	Item Number
Round Reed Switch with Quick Disconnect	810169
T-slot Reed Switch with Quick Disconnect	8EA-109-1
Quick Disconnect 2M Extension Cable	CABL-010
Quick Disconnect 5M Extension Cable	CABL-013

See Pneumatic Accessories section for more options

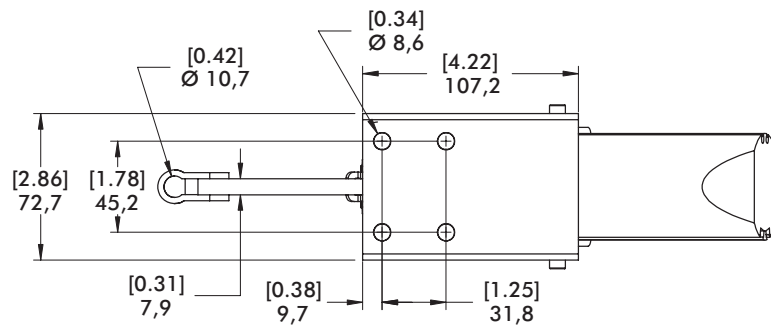
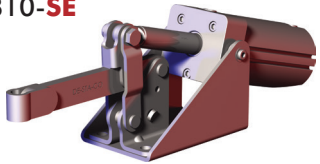
# 810 SERIES

## Pneumatic Toggle Clamps | Dimensions

**810-U**  
**810-UE**



**810-S**  
**810-SE**



mm [INCH]  
THIRD ANGLE PROJECTION

# 846 SERIES

## Pneumatic Toggle Clamps | Product Overview

### Features:

- Similar in size to 807 but with higher holding capacity
- Large, solid clamping arm is easily modified to suit application requirements
- Sensor ready for round or T-slot style sensors

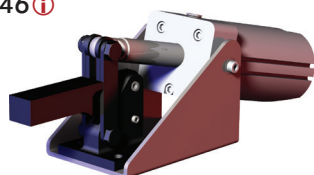
### Applications:

- Assembly
- Welding

### Also Available:

See page MC-SCA-1 for sensing options

846 ⓘ



## Series 846 Technical Information, Holding Capacities

Model	Maximum Holding Capacity		Max. Exerting Force @ 5bar [72PSI]		Weight	Bore Size	Air Consumption† dm <sup>3</sup> [ft <sup>3</sup> ]	Port Size
	Inner	Outer	Inner	Outer				
846 ⓘ	[750 lbf] 3340 N	[520 lbf] 2310 N	[786 lbf] 3520 N	[491 lbf] 2200 N	[4.18lb] 1,90kg	[1.57] 40	[0.029] 0,83	1/8 NPT

ⓘ This item is available upon request. †Per double stroke at 5bar [72PSI]

**Max Cylinder Pressure:** 10bar [145psig]\*

**Max Operating Temp:** -10°C to 90°C [-14°F to 194°F]

**Replacement Seal Kit:** 810450-40-1-00

**Replacement Clamp Assembly:** 846-LC

\*In no case should the inlet pressure be high enough to create an exerting force that exceeds the clamp's holding capacity. See Technical Appendix Section for details.

### Sensor Accessories

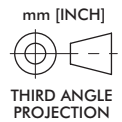
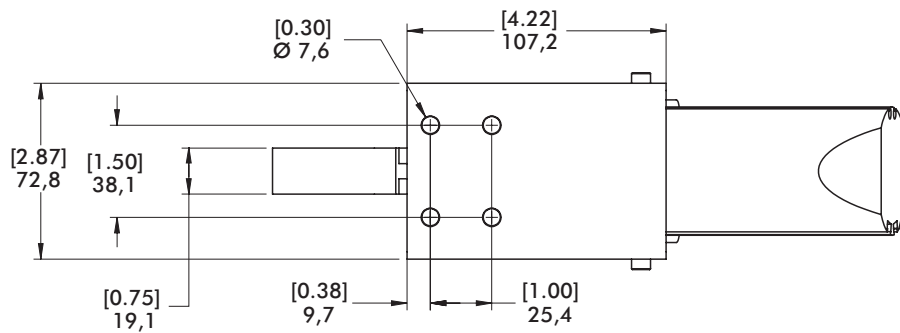
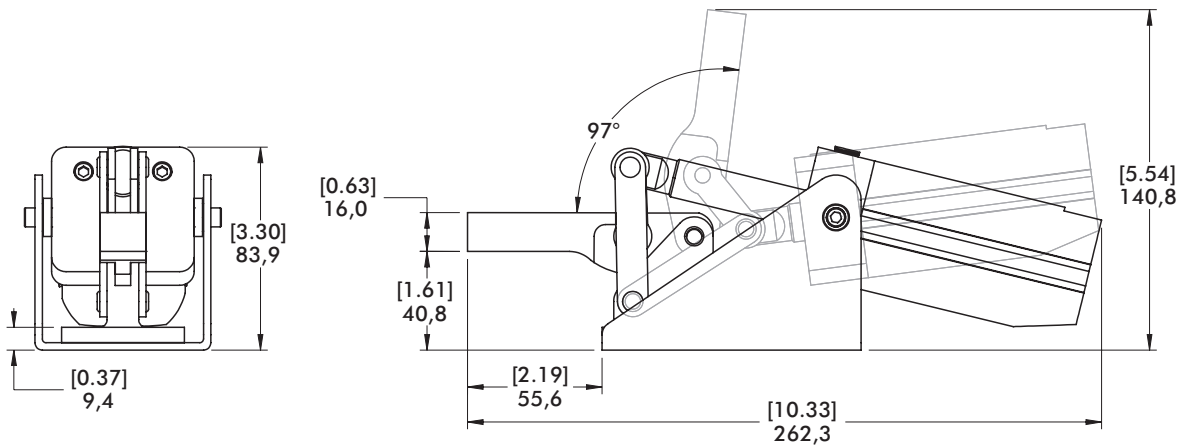
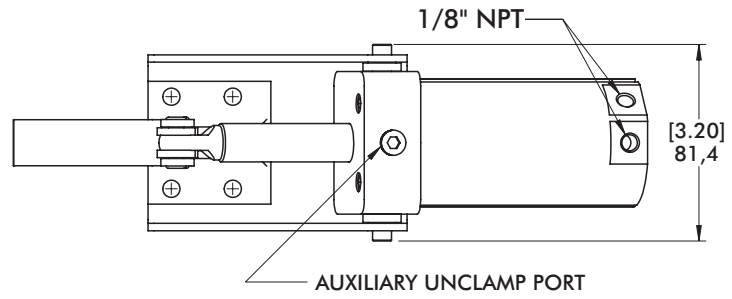
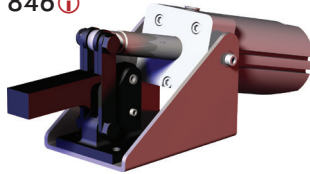
	Item Number
Round Reed Switch with Quick Disconnect	810169
T-slot Reed Switch with Quick Disconnect	8EA-109-1
Quick Disconnect 2M Extension Cable	CABL-010
Quick Disconnect 5M Extension Cable	CABL-013

See Pneumatic Accessories section for more options

# 846 SERIES

## Pneumatic Toggle Clamps | Dimensions

846 ⓘ



# 8007 SERIES

## Pneumatic Toggle Clamps | Product Overview

### Features:

- Hardened pins and bushing at all pivot points for long life cycle
- Solid clamping bar may be modified to suit application requirements
- Sensor ready for round or T-slot style sensors

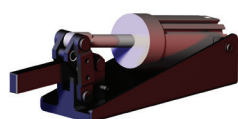
### Applications:

- Assembly
- Welding

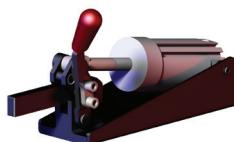
### Also Available:

See page MC-SCA-1 for sensing options

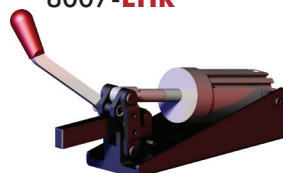
8007-E



8007-EHL



8007-EHR



## Series 8007 Technical Information, Holding Capacities

Model	Maximum Holding Capacity		Max. Exerting Force @ 5bar [72PSI]		Weight	Bore Size	Air Consumption† dm <sup>3</sup> [ft <sup>3</sup> ]	Port Size
	Inner	Outer	Inner	Outer				
8007-E					1,6kg [3.53lb]			
8007-EHL	[830 lbf] 3700 N	[405 lbf] 1800 N	[606 lbf] 2700 N	[225 lbf] 1000 N		[1.26] 32	[0.016] 0,44	G-1/8
8007-EHR					1,7kg [3.75lb]			

†Per double stroke at 5bar [72PSI]

**Max Cylinder Pressure:** 10bar [145psig]\*

**Max Operating Temp:** -10°C to 90°C [-14°F to 194°F]

**Replacement Clamp Assembly:** 8007-LC

\*In no case should the inlet pressure be high enough to create an exerting force that exceeds the clamp's holding capacity. See Technical Appendix Section for details.

### Sensor Accessories

Round Reed Switch with Quick Disconnect

T-slot Reed Switch with Quick Disconnect

Quick Disconnect 2M Extension Cable

Quick Disconnect 5M Extension Cable

### Item Number

810169

8EA-109-1

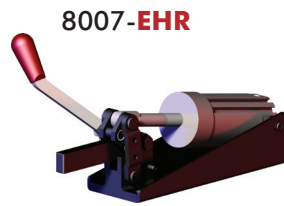
CABL-010

CABL-013

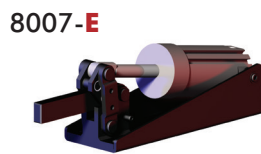
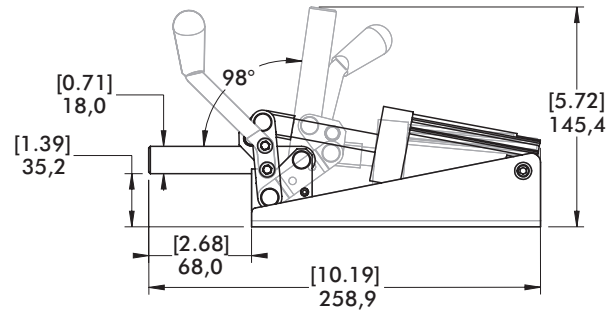
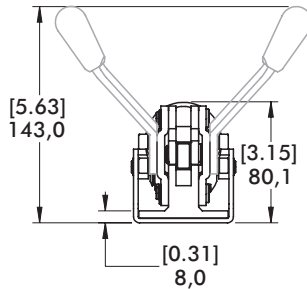
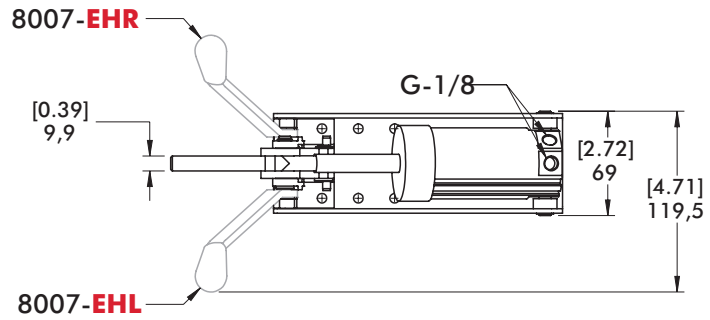
See Pneumatic Accessories section for more options

# 8007 SERIES

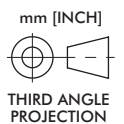
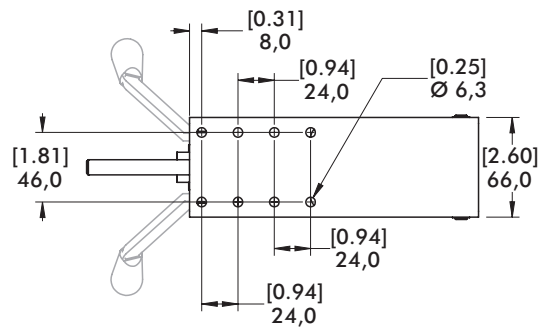
## Pneumatic Toggle Clamps | Dimensions



**8007-EHR**



**8007-E**



# 847 SERIES

## Pneumatic Toggle Clamps | Product Overview

### Features:

- Pneumatic version of Series 247 manual clamps
- Switch ready for Ø4mm or 6,5mmX5mm sensors
- Built-in flow restriction eliminates need for external flow controls

### Applications:

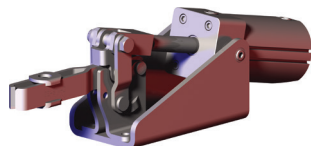
- Assembly
- Welding

### Also Available:

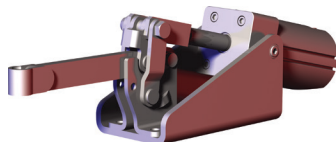
See page MC-ACC-1 for spindle accessories

See page MC-SCA-1 for sensing options

847-U



847-S



## Series 847 Technical Information, Holding Capacities

Model	Maximum Holding Capacity		Max. Exerting Force @ 5bar [72PSI]		Weight	Bore Size	Air Consumption† dm <sup>3</sup> [ft <sup>3</sup> ]	Port Size	Accessories (Supplied)		
	Inner	Outer	Inner	Outer					Spindle Accessory	Flanged Washers	Bolt Retainer
847-U	[1000 lbf] 4450 N	[480 lbf] 2135 N	[948 lbf] 4248 N	[450 lbf] 2018 N	[8.93lb] 4,05kg	[1.97] 50	[0.044] 1,25	1/4 NPT	--	247109	--
847-S	[1000 lbf] 4450 N	[650 lbf] 2890 N		[426 lbf] 1912 N				1/4 NPT	--	--	247110

†Per double stroke at 5bar [72PSI]

**Max Cylinder Pressure:** 10bar [145psig]\*

**Max Operating Temp:** -10°C to 90°C [-14°F to 194°F]

**Replacement Seal Kit:** 847450-50-1-00

**Replacement Clamp Assembly:** 847-U-LC, 847-S-LC

\*In no case should the inlet pressure be high enough to create an exerting force that exceeds the clamp's holding capacity. See Technical Appendix Section for details.

### Sensor Accessories

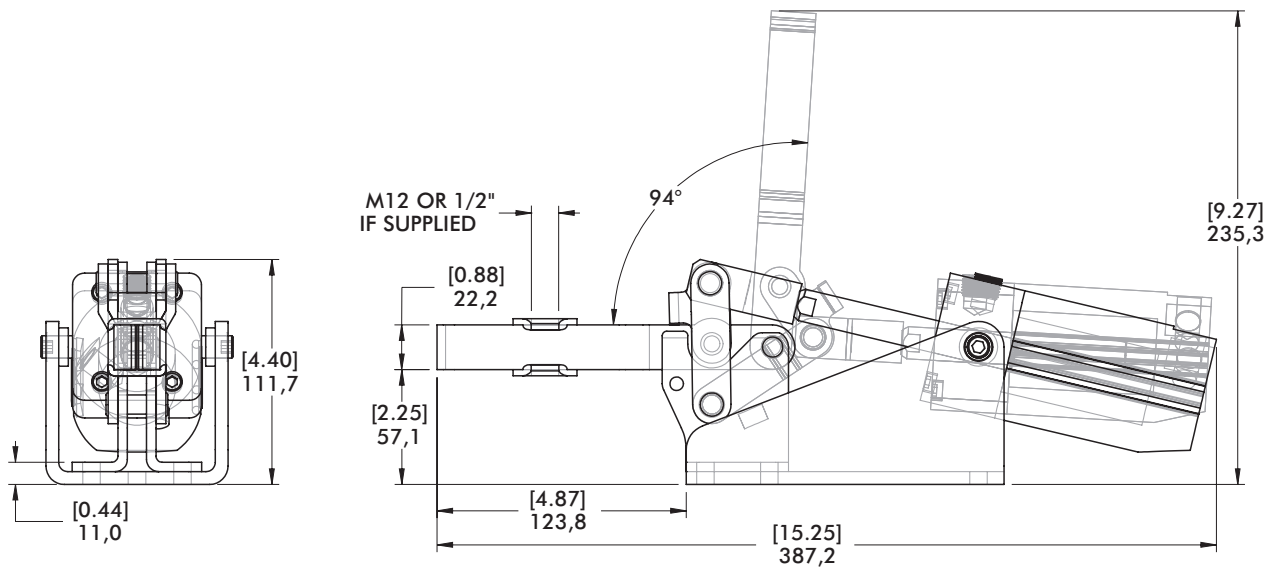
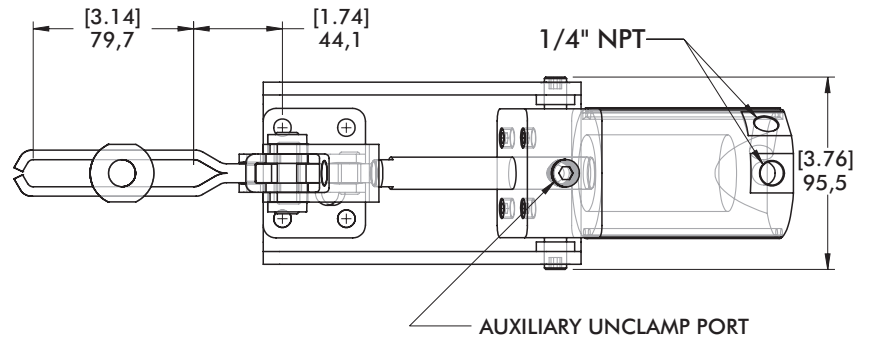
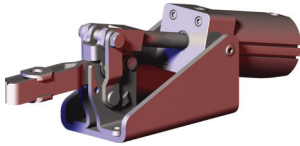
	Item Number
Round Reed Switch with Quick Disconnect	810169
T-slot Reed Switch with Quick Disconnect	8EA-109-1
Quick Disconnect 2M Extension Cable	CABL-010
Quick Disconnect 5M Extension Cable	CABL-013

See Pneumatic Accessories section for more options

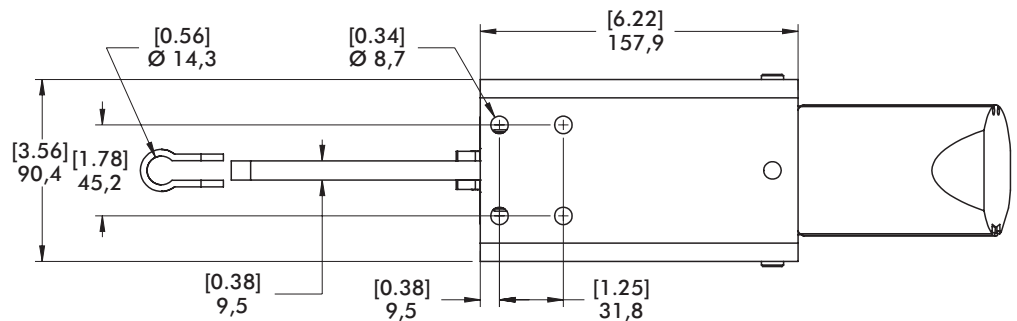
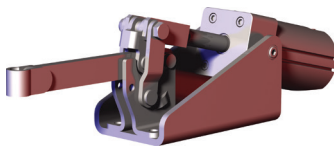
# 847 SERIES

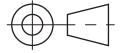
## Pneumatic Toggle Clamps | Dimensions

**847-U**



**847-S**



mm [INCH]  
  
 THIRD ANGLE PROJECTION



# 858 SERIES

## Pneumatic Toggle Clamps | Product Overview

### Features:

- Hardened pins and bushing at all pivot points for long lifecycle
- Large, solid clamping arm is easily modified to suit application requirements
- Sensor ready for round or T-slot style sensors

### Applications:

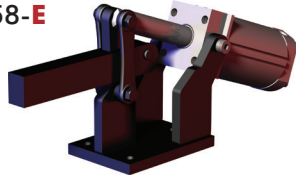
- Assembly
- Welding

### Also Available:

See page MC-SCA-1 for sensing options

858

858-E



## Series 858 Technical Information, Holding Capacities

Model	Maximum Holding Capacity		Max. Exerting Force @ 5bar [72PSI]		Weight	Bore Size	Air Consumption† dm <sup>3</sup> [ft <sup>3</sup> ]	Port Size
	Inner	Outer	Inner	Outer				
858	[4,000 lbf]	[2,000 lbf]	[1,530 lbf]	[800 lbf]	[16.11lb]	[2.48]	[0.109]	1/4 NPT
858-E	17800 N	8900 N	6857 N	3585 N	7.31kg	63	3,08	G-1/4

†Per double stroke at 5bar [72PSI]

**Max Cylinder Pressure:** 10bar [145psig]\*

**Max Operating Temp:** -10°C to 90°C [-14°F to 194°F]

**Replacement Seal Kit:** 850450-63-1-00

**Replacement Clamp Assembly:** 858-LC

\*In no case should the inlet pressure be high enough to create an exerting force that exceeds the clamp's holding capacity. See Technical Appendix Section for details.

### Sensor Accessories

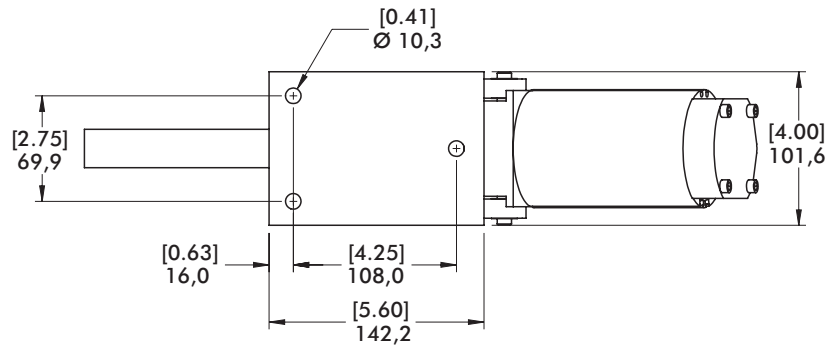
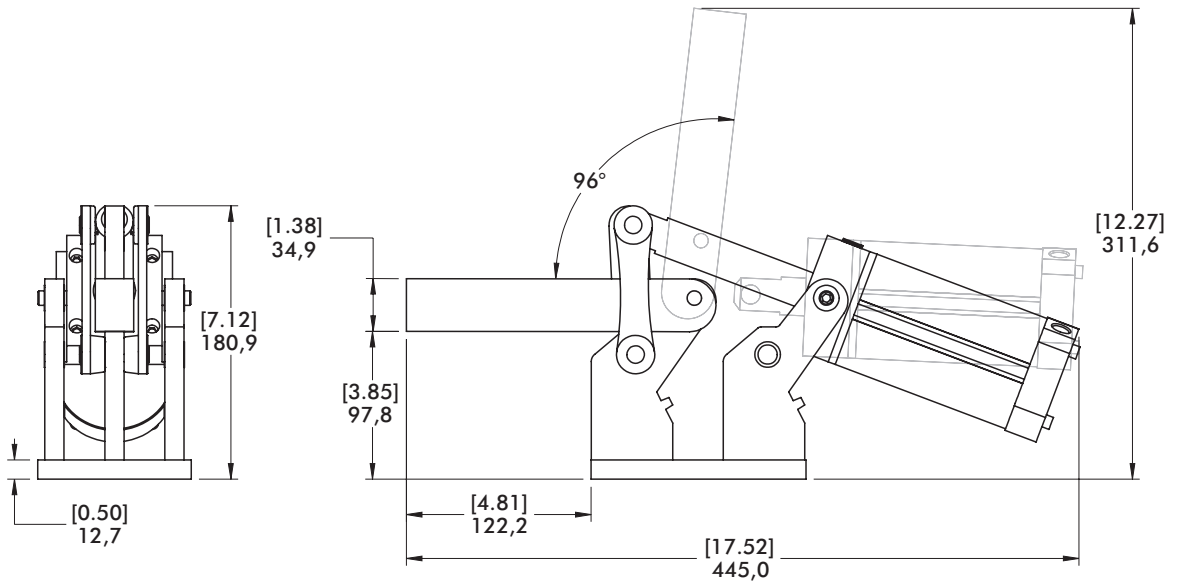
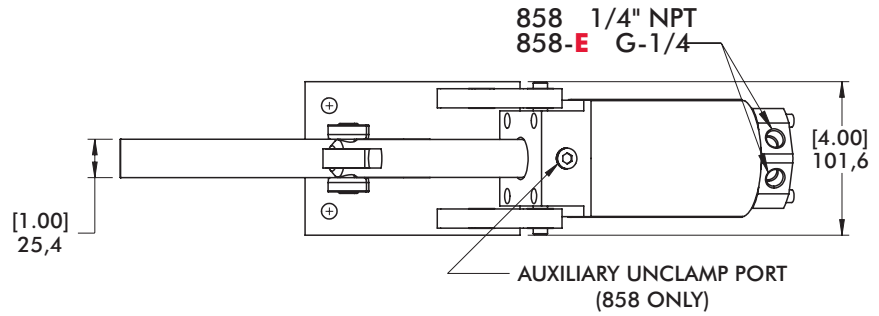
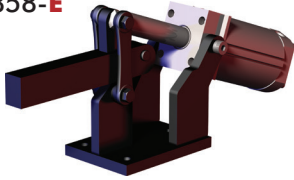
	Item Number
Round Reed Switch with Quick Disconnect	810169
T-slot Reed Switch with Quick Disconnect	8EA-109-1
Quick Disconnect 2M Extension Cable	CABL-010
Quick Disconnect 5M Extension Cable	CABL-013

See Pneumatic Accessories section for more options

# 858 SERIES

## Pneumatic Toggle Clamps | Dimensions

858  
858-E



mm [INCH]  
THIRD ANGLE PROJECTION

# 8021, 8071 SERIES

## Pneumatic Toggle Clamps | Product Overview

### Features:

- Enclosed clamp for dirty environments such as spot and MIG welding
- Non-pivoting cylinder can be hard-piped into fixtures
- Sensor ready for round or T-slot style sensors

### Applications:

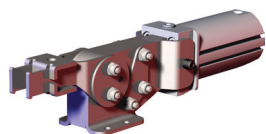
- Assembly
- Welding

### Also Available:

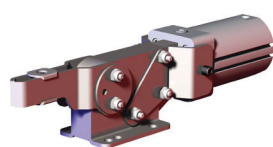
See page MC-ACC-1 for spindle accessories

See page MC-SCA-1 for sensing options

8021 ⓘ  
8021-UE ⓘ



8071  
8071-UE



## Technical Information, Holding Capacities

Model	Maximum Holding Capacity		Max. Exerting Force @ 5bar [72PSI]		Weight	Bore Size	Air Consumption† dm <sup>3</sup> [ft <sup>3</sup> ]	Port Size	Accessories (Supplied)	
	Inner	Outer	Inner	Outer					Spindle Accessory	Flanged Washer
8021 ⓘ	[390 lbf]	[255 lbf]	[169 lbf]	[100 lbf]	[2.30lb]	[1.26]	[0.015]	1/8 NPT	--	8021122
8021-UE ⓘ	1735 N	1135 N	760 N	449 N	1,04kg	32	0,42	G-1/8		
8071	[450 lbf]	[310 lbf]	[496 lbf]	[283 lbf]	[2.80lb]	[1.57]	[0.020]	1/8 NPT	--	507107
8071-UE	2000 N	1380 N	2218 N	1267 N	1,27kg	40	0,58	G-1/8		

ⓘ This item is available upon request. †Per double stroke at 5bar [72PSI]

**Max Cylinder Pressure:** 10bar [145psig]\*

**Max Operating Temp:** -10°C to 90°C [-14°F to 194°F]

**Replacement Seal Kit:** 8021: 802450-32-1-00  
8071: 810450-40-1-00

\*In no case should the inlet pressure be high enough to create an exerting force that exceeds the clamp's holding capacity. See Technical Appendix Section for details.

### Sensor Accessories

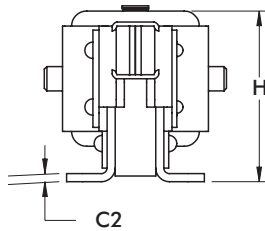
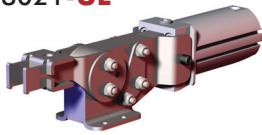
	Item Number
Round Reed Switch with Quick Disconnect	810169
T-slot Reed Switch with Quick Disconnect	8EA-109-1
Quick Disconnect 2M Extension Cable	CABL-010
Quick Disconnect 5M Extension Cable	CABL-013

See Pneumatic Accessories section for more options

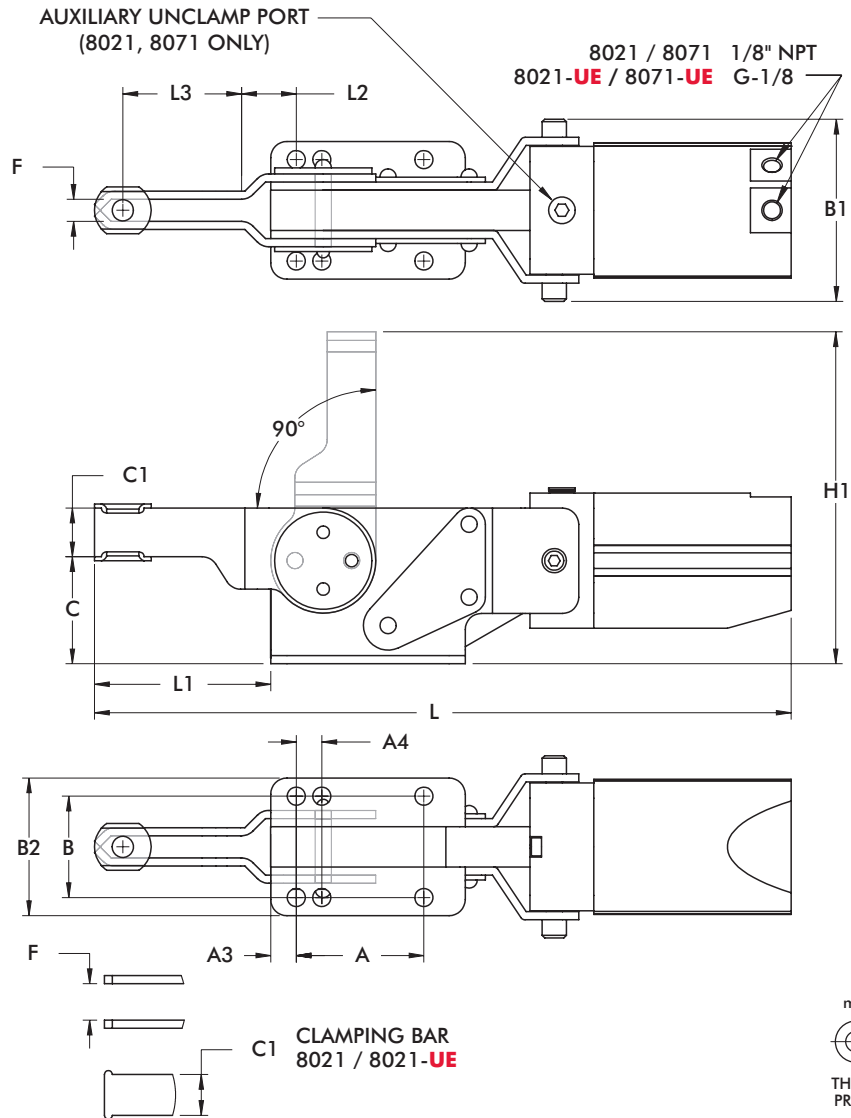
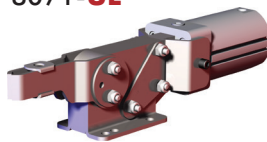
# 8021, 8071 SERIES

## Pneumatic Toggle Clamps | Dimensions | 8021/8071-UE

**8021**  
**8021-UE**



**8071**  
**8071-UE**



Model	A	A1	A3	A4	B	B1	B2	C	C1	C2	ØD	F
<b>8021</b>	[0.79]	[1.97]	[0.47]	-	[1.50]	[2.26]	[1.88]	[1.56]	[0.63]	[0.13]	[0.21]	[0.34]
<b>8021-UE</b>	20	50	12		38,2	57,4	47,9	39,6	16	3,2	5,3	8,7
<b>8071</b>	[1.97]	[3.00]	[0.39]	[0.39]	[1.56]	[2.81]	[2.12]	[1.65]	[0.75]	[0.13]	[0.28]	[0.56]
<b>8071-UE</b>	50	76,2	10	10	39,7	71,4	53,9	41,9	19,1	3,2	7,1	14,3

Model	H	H1	L	L1	L2	L3	M
<b>8021</b>	[2.40]	[4.44]	[9.86]	[2.25]	[0.44]	[1.31]	1/4
<b>8021-UE</b>	60,9	112,8	250,4	57,2	11	33,2	M6
<b>8071</b>	[2.63]	[5.12]	[10.74]	[2.72]	[0.40]	[1.83]	5/16
<b>8071-UE</b>	66,9	130	272,9	69	10,1	46,5	M8

# 817, 827 SERIES

## Pneumatic Toggle Clamps | Product Overview

### Features:

- Dual mounting surfaces for maximum flexibility
- Sensor ready for round or T-slot style sensors
- Built-in flow restriction eliminates need for external flow controls

### Applications:

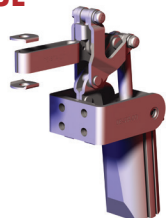
- Assembly
- Welding

### Also Available:

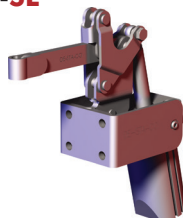
See page MC-ACC-1 for spindle accessories

See page MC-SCA-1 for sensing options

817-U  
817-UE



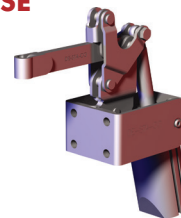
817-S  
817-SE



827-U  
827-UE



827-S  
827-SE



## Technical Information, Holding Capacities, Mounting Options

Model	Maximum Holding Capacity		Max. Exerting Force @ 5bar [72PSI]		Weight	Bore Size	Air Consumption† dm <sup>3</sup> [ft <sup>3</sup> ]	Port Size	Accessories (Supplied)		
	Inner	Outer	Inner	Outer					Spindle Accessory	Flanged Washers	Bolt Retainer
817-U	[375 lbf] 1670 N		[369 lbf] 1648 N					1/8NPT	--	507107	--
817-UE		[200 lbf] 890 N		[225 lbf] 1005 N	1,05kg [2.31lb]	[1.26] 32	[0.015] 0,42	G-1/8	225208-M		
817-S	[450 lbf] 2000 N		[360 lbf] 1608 N					1/8 NPT	--	--	207107
817-SE								G-1/8			
827-U	[600 lbf] 2670 N	[390 lbf] 1735 N		[309 lbf] 1383 N				1/8 NPT	--	235106	--
827-UE			[491 lbf] 2200 N		2,14kg [4.71lb]	[1.57] 40	[0.029] 0,83	G-1/8	240208-M		
827-S	[700 lbf] 3110 N	[330 lbf] 1470 N		[281 lbf] 1257 N				1/8 NPT	--	--	210114
827-SE								G-1/8			

†Per double stroke at 5bar [72PSI]

**Max Cylinder Pressure:** 10bar [145psig]\*

**Max Operating Temp:** -10°C to 90°C [-14°F to 194°F]

**Replacement Seal Kit:** 817: 802450-32-1-00

827: 810450-40-1-00

**Replacement Clamp Assembly:** 817-U-LC, 817-S-LC, 827-U-LC, 827-S-LC

\*In no case should the inlet pressure be high enough to create an exerting force that exceeds the clamp's holding capacity. See Technical Appendix Section for details.

### Sensor Accessories

Round Reed Switch with Quick Disconnect

T-slot Reed Switch with Quick Disconnect

Quick Disconnect 2M Extension Cable

Quick Disconnect 5M Extension Cable

### Item Number

810169

8EA-109-1

CABL-010

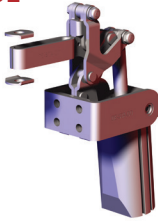
CABL-013

See Pneumatic Accessories section for more options

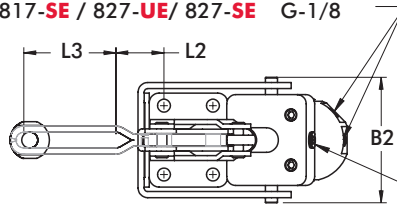
# 817, 827 SERIES

## Pneumatic Toggle Clamps | Dimensions | -U/-UE/-S/-SE

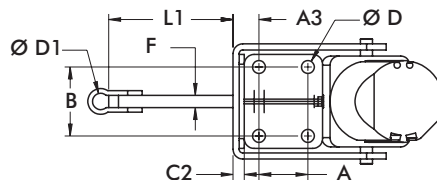
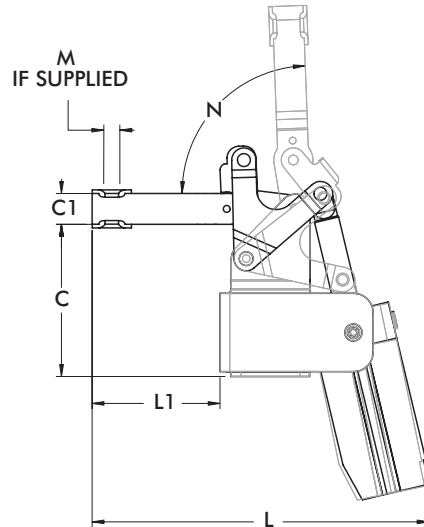
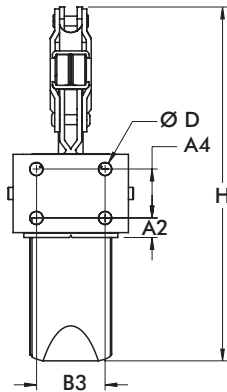
**817-U**  
**817-UE**



817-U / 817-S / 827-U / 827-S 1/8" NPT  
817-UE / 817-SE / 827-UE / 827-SE G-1/8



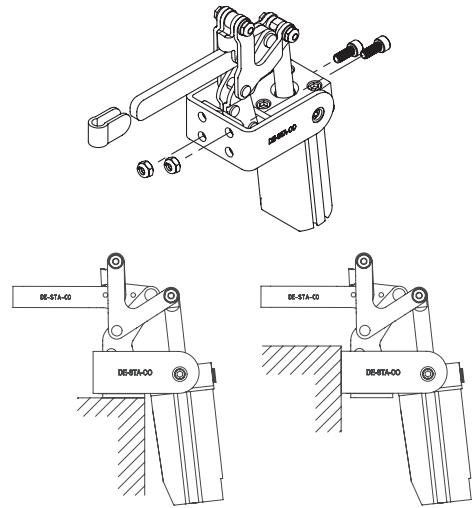
AUXILIARY UNCLAMP PORT  
(817-U, 817-S, 827-U, 827-S ONLY)



mm [INCH]  
THIRD ANGLE PROJECTION

### Mounting Options:

Use two bolts in the "side" mounting holes, to secure mounting bracket, when "top" mounting.



Top Mounting

Side Mounting

Model	A	A2	A3	A4	B	B2	B3	C	C1	C2	C3	C4
<b>817-U</b>												
<b>817-UE</b>	[0.63]	[0.44]	[0.60]	[0.63]	[1.00]	[2.44]	[1.00]	[2.69]	[0.63]	[0.12]	[1.25]	[1.31]
<b>817-S</b>	16	11,2	15,1	16	25,4	62	25,4	68,3	16	3,1	31,8	33,3
<b>817-SE</b>												
<b>827-U</b>								[3.89]	[0.79]			[1.76]
<b>827-UE</b>	[1.25]	[0.51]	[0.66]	[1.25]	[1.75]	[3.08]	[1.75]	98,8	20	[0.12]	[2.00]	44,8
<b>827-S</b>	31,8	12,8	16,8	31,8	44,45	78,3	44,45	[3.91]	[0.75]	3,1	50,8	[1.78]
<b>827-SE</b>								99,2	19,1			45,3

Model	ØD	ØD1	F	H	L	L1	L2	L3	M	N
<b>817-U</b>					[6.24]	[2.37]	[0.19]	[1.90]		
<b>817-UE</b>	[0.27]	-	-	[7.51]	158,6	60,3	4,8	48,4	5/16	95°
<b>817-S</b>	6,7	[0.34]	[0.25]	190,7	[6.97]	[3.04]	-	-	M8	
<b>817-SE</b>		8,7	6,4		175,5	77,2				
<b>827-U</b>					[8.61]	[3.27]	[1.23]	[2.35]		
<b>827-UE</b>	[0.33]	-	-	[9.04]	218,7	83,1	31,2	59,7	3/8	88°
<b>827-S</b>	8,4	[0.42]	[0.31]	229,7	[8.49]	[3.18]	-	-	M10	
<b>827-SE</b>		10,7	7,9		215,6	80,7				

# 868 SERIES

## Pneumatic Toggle Clamps | Product Overview

### Features:

- Hardened pins and bushing at all pivot points for long lifecycle
- Large, solid clamping arm is easily modified to suit application requirements
- Sensor ready for round or T-slot style sensors

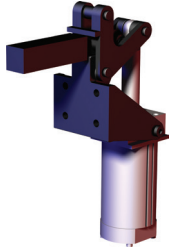
### Applications:

- Assembly
- Welding

### Also Available:

See page MC-SCA-1 for sensing options

868  
868-E



## Technical Information, Holding Capacities

Model	Maximum Holding Capacity		Max. Exerting Force @ 5bar [72PSI]		Weight	Bore Size	Air Consumption† dm <sup>3</sup> [ft <sup>3</sup> ]	Port Size
	Inner	Outer	Inner	Outer				
868	[4000 lbf] 17800 N	[2400 lbf] 10675 N	[1704 lbf] 7637 N	[800 lbf] 3585 N	[17.0lb] 7,71kg	[2.48] 63	[0.109] 3,08	1/4 NPT
868-E								G-1/4

†Per double stroke at 5bar [72PSI]

**Max Cylinder Pressure:** 10bar [145psig]\*

**Max Operating Temp:** -10°C to 90°C [-14°F to 194°F]

**Replacement Seal Kit:** 850450-63-1-00

**Replacement Clamp Assembly:** 868-LC

\*In no case should the inlet pressure be high enough to create an exerting force that exceeds the clamp's holding capacity. See Technical Appendix Section for details.

### Sensor Accessories

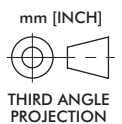
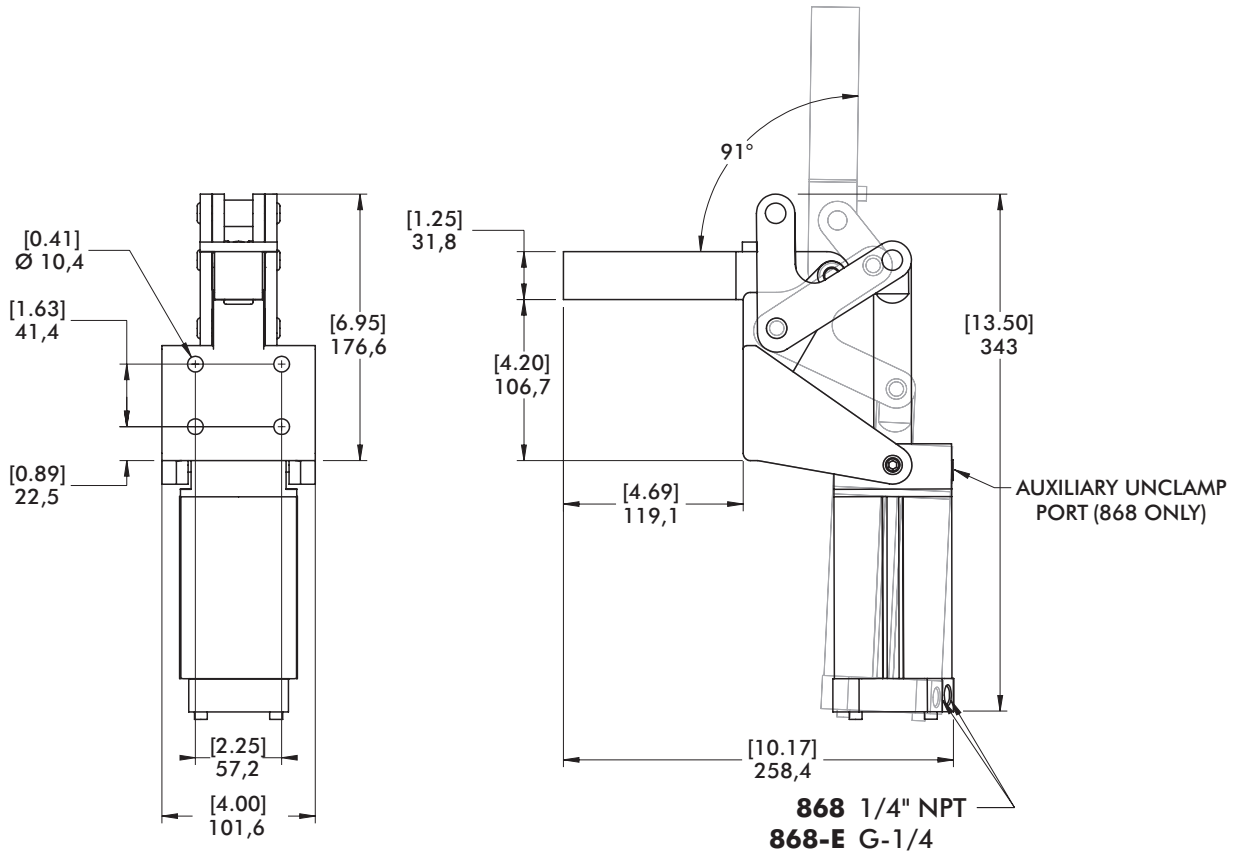
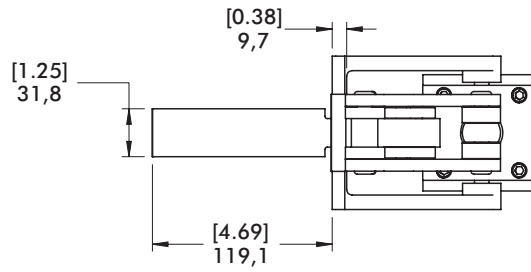
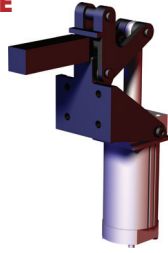
	Item Number
Round Reed Switch with Quick Disconnect	810169
T-slot Reed Switch with Quick Disconnect	8EA-109-1
Quick Disconnect 2M Extension Cable	CABL-010
Quick Disconnect 5M Extension Cable	CABL-013

See Pneumatic Accessories section for more options

# 868 SERIES

## Pneumatic Toggle Clamps | Dimensions

868  
868-E





# 803 SERIES

## Pneumatic Toggle Clamps | Product Overview

### Features:

- Pneumatic version of Model 603 manual straight line action clamp
- Sensor ready for round or T-slot style sensors

### Applications:

- Assembly
- Welding

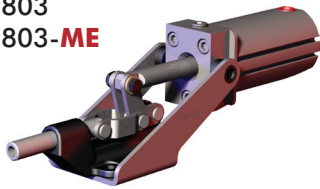
### Also Available:

See page MC-ACC-1 for spindle accessories

See page MC-SCA-1 for sensing options

High temperature version available  
Upon Request, add **-HT** to model number. Example: 803-U-**HT**

803  
803-**ME**



## Technical Information, Holding Capacities, Standard Clamp Dimensions

Model	Maximum Holding Capacity	Maximum Exerting Force @ 5bar [72PSI]	Plunger Travel	Plunger Thread	Weight	Bore Size	Air Consumption† dm³ [ft³]	Port Size
803	[600 lbf] 2670 N	[675 lbf] 3015 N	[0.75] 19,1	5/16-18	[1.86lb] 0,84kg	[1.26] 32	[0.015] 0,42	1/8 NPT
803-ME				M8				G-1/8

†Per double stroke at 5bar [72PSI]

**Max Cylinder Pressure:** 10bar [145psig]

**Max Operating Temp:** -10°C to 90°C [-14°F to 194°F]

**Replacement Seal Kit:** 802450-32-1-00

**Replacement Clamp Assembly:** 803-LC, 803-M-LC

\*In no case should the inlet pressure be high enough to create an exerting force that exceeds the clamp's holding capacity. See Technical Appendix Section for details.

### Sensor Accessories

Round Reed Switch with Quick Disconnect

T-slot Reed Switch with Quick Disconnect

Quick Disconnect 2M Extension Cable

Quick Disconnect 5M Extension Cable

See Pneumatic Accessories section for more options

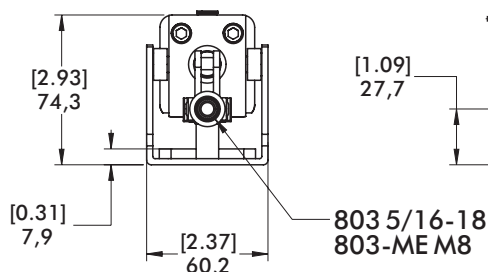
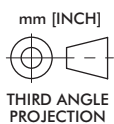
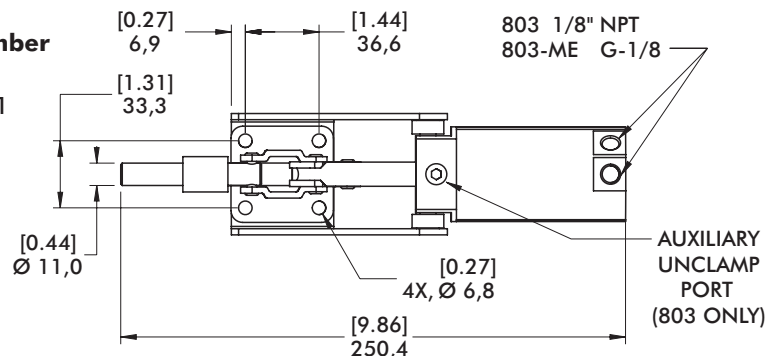
### Item Number

810169

8EA-109-1

CABL-010

CABL-013



# 8031 SERIES

## Pneumatic Toggle Clamps | Product Overview

### Features:

- Fully enclosed straight line action clamp for the dirtiest environments
- Compact design with high holding capacity
- Sensor ready for round style sensors

### Applications:

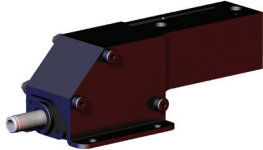
- Assembly
- Welding

### Also Available:

See page MC-ACC-1  
for spindle accessories

See page MC-SCA-1  
for sensing options

### 8031 ⓘ



## Technical Information, Holding Capacities, Standard Clamp Dimensions

Model	Maximum Holding Capacity	Maximum Exerting Force @ 5bar [72PSI]	Plunger Travel	Plunger Thread	Weight	Bore Size	Air Consumption† dm <sup>3</sup> [ft <sup>3</sup> ]	Port Size
<b>8031 ⓘ</b>	[2000 lbf] 8900 N	[731 lbf] 3285 N	[0.75] 19,1	M8	[1.17lb] 2,58kg	[1.26] 32	[0.006] 0,18	1/8 NPT

**Max Cylinder Pressure:** 10bar [145psig]\*

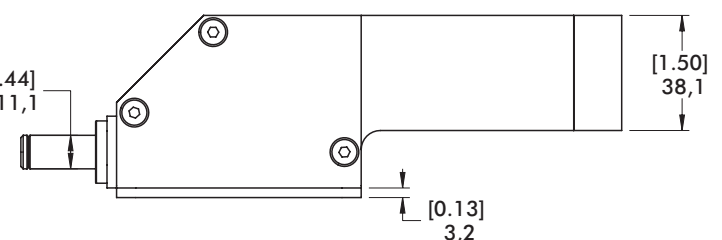
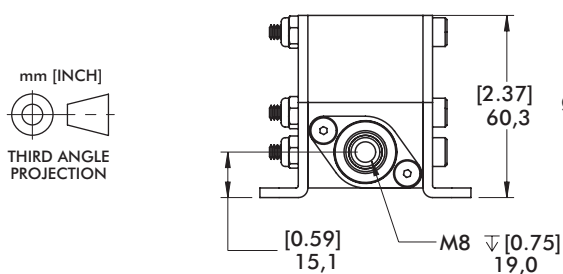
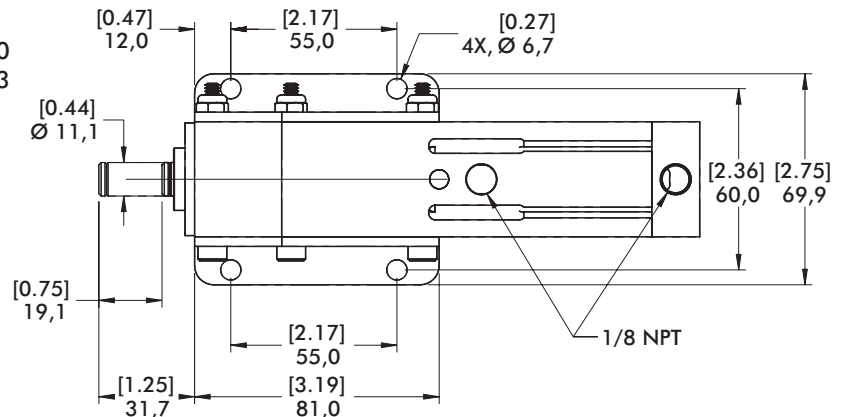
**Max Operating Temp:** -10°C to 90°C [-14°F to 194°F]

\*In no case should the inlet pressure be high enough to create an exerting force that exceeds the clamp's holding capacity. See Technical Appendix Section for details.

### Sensor Accessories

	Item Number
Round Reed Switch with Quick Disconnect	810169
Quick Disconnect 2M Extension Cable	CABL-010
Quick Disconnect 5M Extension Cable	CABL-013

See Pneumatic Accessories section for more options



# 830 SERIES

## Pneumatic Toggle Clamps | Product Overview

### Features:

- Pneumatic version of Model 630 manual straight line action clamp
- Sensor ready for round or T-slot style sensors
- Built-in flow restriction eliminates need for external flow controls

### Applications:

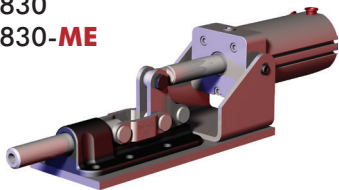
- Assembly
- Welding

### Also Available:

See page MC-ACC-1 for spindle accessories

See page MC-SCA-1 for sensing options

830  
830-ME



## Technical Information, Holding Capacities, Standard Clamp Dimensions

Model	Maximum Holding Capacity	Maximum Exerting Force @ 5bar [72PSI]	Plunger Travel	Plunger Thread	Weight	Bore Size	Air Consumption† dm <sup>3</sup> [ft <sup>3</sup> ]	Port Size
830	[2500 lbf] 11100 N	[800 lbf] 3582 N	[0.75] 19,1	3/8-16	2,79kg [6.14lb]	[1.57] 40	[0.029] 0,83	1/8 NPT
830-ME				M10				G-1/8

†Per double stroke at 5bar [72PSI]

**Max Cylinder Pressure:** 10bar [145psig]

**Max Operating Temp:** -10°C to 90°C [-14°F to 194°F]

**Replacement Seal Kit:** 810450-40-1-00

**Replacement Clamp Assembly:** 830-LC, 830-M-LC

\*In no case should the inlet pressure be high enough to create an exerting force that exceeds the clamp's holding capacity. See Technical Appendix Section for details.

### Sensor Accessories

Round Reed Switch with Quick Disconnect

T-slot Reed Switch with Quick Disconnect

Quick Disconnect 2M Extension Cable

Quick Disconnect 5M Extension Cable

See Pneumatic Accessories section for more options

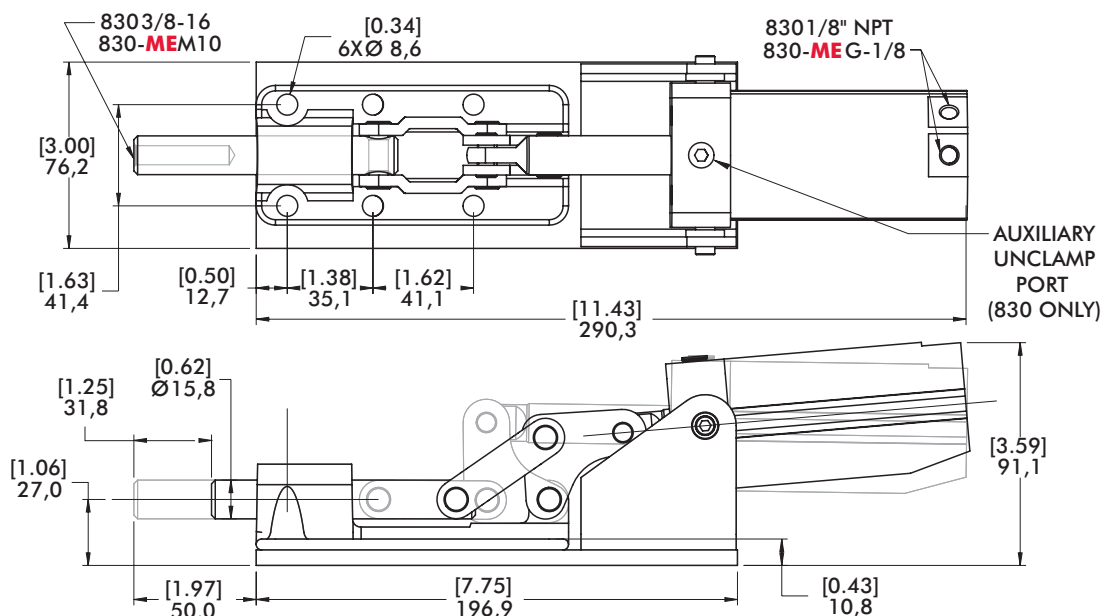
### Item Number

810169

8EA-109-1

CABL-010

CABL-013



# 850 SERIES

## Pneumatic Toggle Clamps | Product Overview

### Features:

- Pneumatic version of Model 650 manual straight line action clamp
- Sensor ready for round or T-slot style sensors
- Built-in flow restriction eliminates need for external flow controls

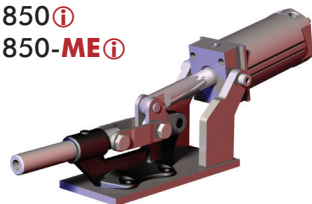
### Applications:

- Assembly
- Welding
- Light press operations

### Also Available:

See page MC-ACC-1 for spindle accessories  
See page MC-SCA-1 for sensing options

850 ⓘ  
850-ME ⓘ



### Technical Information, Holding Capacities, Standard Clamp Dimensions

Model	Maximum Holding Capacity	Maximum Exerting Force @ 5bar [72PSI]	Plunger Travel	Plunger Thread	Weight	Bore Size	Air Consumption† dm³ [ft³]	Port Size
850 ⓘ	[16,000 lbf]	[1232 lbf]	[2.00]	5/8-11	[16.66lb]	[2.48]	[0.109]	1/4 NPT
850-ME ⓘ	71200 N	5522 N	50,8	M16	7,56kg	63	3,08	G-1/4

ⓘ This item is available upon request. †Per double stroke at 5bar [72PSI]

**Max Cylinder Pressure:** 10bar [145psig]  
**Max Operating Temp:** -10°C to 90°C [-14°F to 194°F]  
**Replacement Seal Kit:** 850450-63-1-00  
**Replacement Clamp Assembly:** 850-LC, 850-M-LCc  
 \*In no case should the inlet pressure be high enough to create an exerting force that exceeds the clamp's holding capacity.  
 See Technical Appendix Section for details.

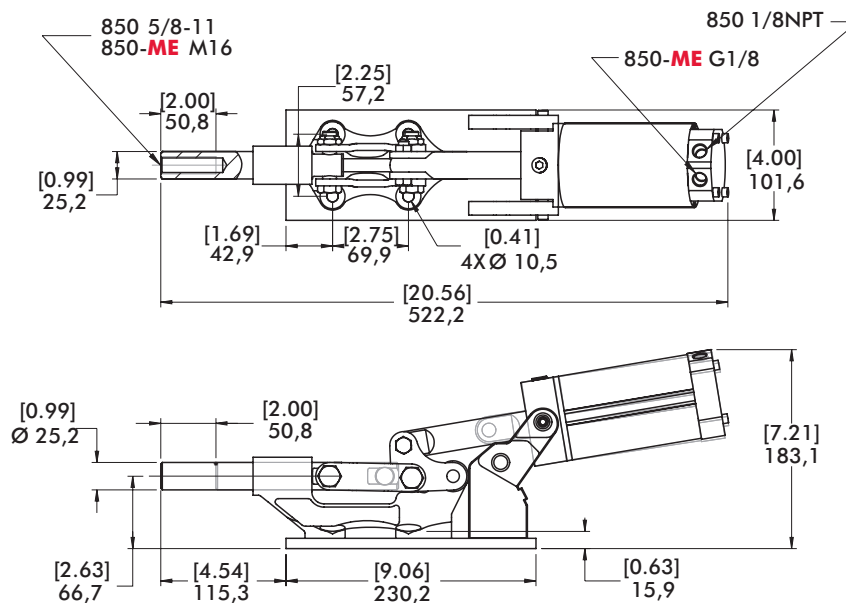
### Sensor Accessories

Round Reed Switch with Quick Disconnect  
 T-slot Reed Switch with Quick Disconnect  
 Quick Disconnect 2M Extension Cable  
 Quick Disconnect 5M Extension Cable

### Item Number

810169  
 8EA-109-1  
 CABL-010  
 CABL-013

See Pneumatic Accessories section for more options



# 800, 1200 SERIES

## Pneumatic Toggle Clamps | Product Overview

### Features:

- Low profile and compact for mounting in tight spaces
- Uniform clamping force throughout full stroke
- Accommodates variable workpiece thickness
- Single acting - air advance, spring return

### Applications:

- Assembly
- Welding
- Light machining

### How it Works:

1. Clamp arm retracts fully for loading and unloading.
2. Clamp arm moves straight forward.
3. Clamp arm pivots down to hold workpiece.

800 1200 ⓘ  
800-E 1200-E ⓘ



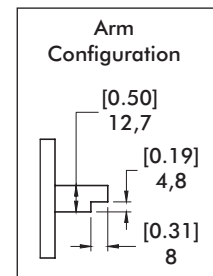
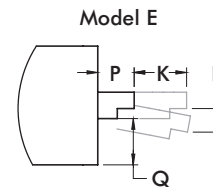
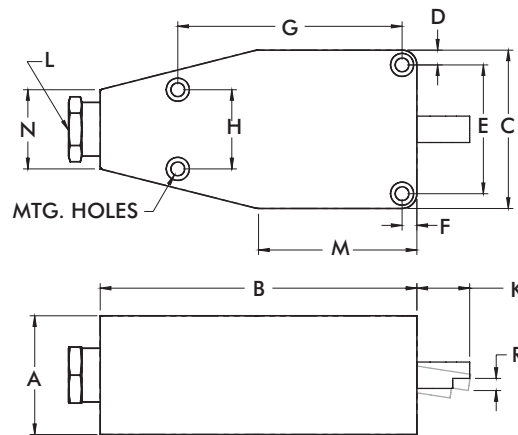
## Technical Information, Holding Capacities

Model	Inlet Pressure bar [PSI]	Exerting Force	Max. Pressure at Max. Mechanical Advantage† bar [PSI]	Clamping Range	Weight	Port Size
800	[70~150] 4,8~10,3	[850~1500 lbf] 3780~6670N	4,8 [70]	[0.09] 2,3	[2.50lb] 1,13kg	1/4 NPT
800-E		[650~1200 lbf] 2890~5340N		[0.16] 4,0		
1200 ⓘ		[750~1600 lbf] 3340~7120N		[0.25] 6,4	[4.00lb] 1,81kg	
1200-E ⓘ		[550~1200 lbf] 2450~5340N		[0.38] 9,6		

ⓘ This item is available upon request

**Note:** For use with pneumatic power only. This is a single acting device (air clamp, spring return), a 3-way air valve required for control.

**Repair Kits:** 800-00,  
1200-00



Model	A	B	C	D	E	F	G	H	K	L	M	N	P	Q	R	MNTG HOLES
800	[1.63] 41,4	[4.81] 122,8	[2.72] 69,1	[0.25] 6,4	[2.21] 56,1	[0.25] 6,4	[3.13] 79,5	[1.19] 30,2	[0.50] 12,7	1/4 NPT	[2.31] 58,37	[1.50] 38,1	-	[0.59] 15,0	[0.09] 2,3	[0.26] 6,6
800-E													[0.50] 12,7		[0.16] 4,1	
1200														-	[0.25] 6,4	
1200-E	[2.25] 57,2	[6.00] 152,4	[3.00] 76,2	[0.28] 7,1	[2.44] 62	[0.28] 7,1	[4.25] 108	[1.50] 38,1	[1.00] 25,4			[3.00] 76,2	[1.38] 35,1	[0.69] 17,5	[0.63] 16	

