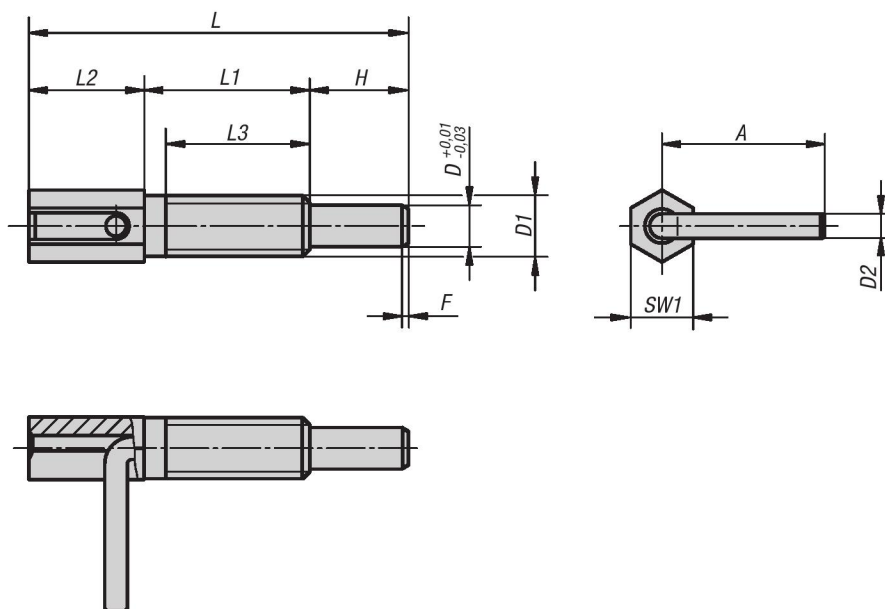




Indexing Plungers

INCH Parts METRIC Parts



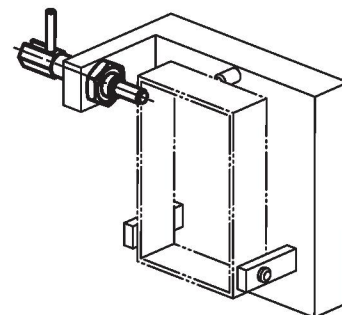
Material:
Steel quality class 5.8

Type:
Blue chromate.

Part Number Example:
K0340.11CWA2

Note:
Indexing plungers are used to prevent any change in locking position due to lateral forces. A new locking position can only be set after the pin has been manually disengaged.

On request:
Special versions.



KIPP Indexing Plungers, inch (dimensions in inch)

Item No.	D	D1	D2	L	L1	L2	L3	H	A	SW1	F x 30°	Spring force initial pressure F1 approx. N	Spring force final pressure F2 approx. N	Max. tightening torque Nm
K0340.11CWA2	.16	1/4-20	.09	1.63	.79	.47	.63	.37	.61	.25	.7	3	10	1.6
K0340.12CMA4	.25	3/8-16	.14	2.56	1.31	.69	1.06	.56	.92	.38	1.1	4	16	10
K0340.13CNA5	.31	1/2-13	.19	2.87	1.25	.87	1.13	.75	1.23	.5	1.3	4	22	13
K0340.14COA6	.38	5/8-11	.19	4.05	1.99	1.06	1.75	1	1.29	.63	1.6	4	23	42

KIPP Indexing Plungers, metric (dimensions in metric)

Item No.	D	D1	D2	L	L1	L2	L3	H	A	SW1	F x 30°	Spring force initial pressure F1 approx. N	Spring force final pressure F2 approx. N	Max. tightening torque Nm
K0340.1104	4	M6	2,3	41,5	20	12	17	9,5	15,5	6	0,7	3	10	1,6
K0340.1905	5	M8	3	54	27	15	24	12	19,2	8	0,9	3,5	13,5	4,5
K0340.1206	6	M10	3,5	65	33,5	17,5	30	14	22,9	10	1,1	4	16	10
K0340.1308	8	M12	4,7	73	31,8	22,2	28	19	31,2	12	1,3	4	22	13
K0340.1410	10	M16	4,7	102,5	50,5	27	44,5	25	32,7	16	1,6	4	23	42