



Leveling Pads

INCH Parts METRIC Parts



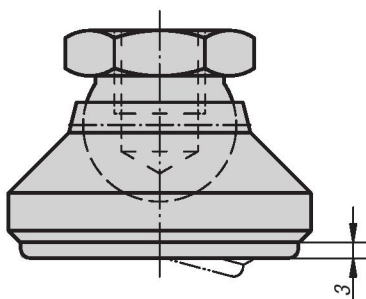
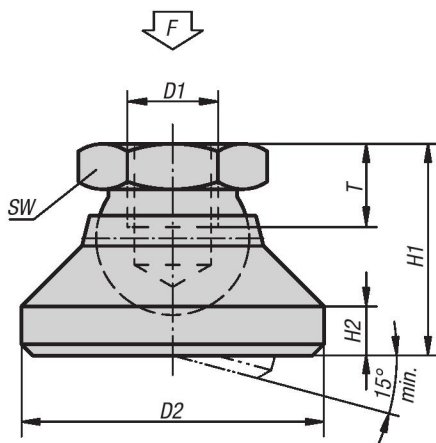
Style A
pressure foot and ball element steel

Style B
pressure foot and ball element stainless steel

Style C
pressure foot POM, ball element steel

Style D
pressure foot POM, ball element stainless steel

Style G
pressure foot and ball element steel with anti-slip plate



Material:

Style A, G: Pressure foot tempered steel. Ball element mild steel.

Style B: Stainless steel.

Style C: Pressure foot POM. Ball element mild steel.

Style D: Pressure foot POM. Ball element stainless steel.

Anti-slip-plate thermoplastic elastomer.

Type:

Style A, G: Ball element case-hardened, burnished.

Style B: Natural finish.

Style C: Ball element case-hardened, burnished.

Style D: Ball element natural finish.

Part Number Example:

K0395.1A2

Note:

The Anti-Slip-Plate absorbs vibrations and prevents slipping of the Swivel Foot.

KIPP Leveling Pads, inch

Item No. Style A	Item No. Style B	D1	D2	H1	H2	T	SW	Load rating max. kN (static load only)
K0395.1A2	K0395.3A2	1/4-20	20	15	2.5	8.5	10	10
K0395.1A3	K0395.3A3	5/16-18	25	18	4	9	13	18
K0395.1A4	K0395.3A4	3/8-16	32	22	5	10	17	20
K0395.1A5	K0395.3A5	1/2-13	40	26	6	12	19	35
K0395.1A6	K0395.3A6	5/8-11	50	32	7	14	24	45
K0395.1A7	K0395.3A7	3/4-10	60	42	8	18	30	55

Leveling Pads



KIPP Leveling Pads, inch

Item No. Style C	Item No. Style D	D1	D2	H1	H2	T	SW	Load rating max. kN (static load only)
K0395.5A2	K0395.2A2	1/4-20	20	15	2.5	8.5	10	4
K0395.5A3	K0395.2A3	5/16-18	25	18	4	9	13	7
K0395.5A4	K0395.2A4	3/8-16	32	22	5	10	17	10
K0395.5A5	K0395.2A5	1/2-13	40	26	6	12	19	18
K0395.5A6	K0395.2A6	5/8-11	50	32	7	14	24	20
K0395.5A7	K0395.2A7	3/4-10	60	42	8	18	30	22

KIPP Leveling Pads, inch

Item No. Style G	D1	D2	H1	H2	T	SW	Load rating max. kN (static load only)
K0395.4A4	3/8-16	32	22	5	10	17	12
K0395.4A5	1/2-13	40	26	6	12	19	17
K0395.4A6	5/8-11	50	32	7	14	24	20
K0395.4A7	3/4-10	60	42	8	18	30	24

KIPP Leveling Pads, metric

Item No. Style A	Item No. Style B	D1	D2	H1	H2	T	SW	Load rating max. kN (static load only)
K0395.106	K0395.306	M6	20	15	2,5	8,5	10	10
K0395.108	K0395.308	M8	25	18	4	9	13	18
K0395.110	K0395.310	M10	32	22	5	10	17	20
K0395.112	K0395.312	M12	40	26	6	12	19	35
K0395.116	K0395.316	M16	50	32	7	14	24	45
K0395.120	K0395.320	M20	60	42	8	18	30	55

KIPP Leveling Pads, metric

Item No. Style C	Item No. Style D	D1	D2	H1	H2	T	SW	Load rating max. kN (static load only)
K0395.506	K0395.206	M6	20	15	2,5	8,5	10	4
K0395.508	K0395.208	M8	25	18	4	9	13	7
K0395.510	K0395.210	M10	32	22	5	10	17	10
K0395.512	K0395.212	M12	40	26	6	12	19	18
K0395.516	K0395.216	M16	50	32	7	14	24	20
K0395.520	K0395.220	M20	60	42	8	18	30	22

KIPP Leveling Pads, metric

Item No. Style G	D1	D2	H1	H2	T	SW	Load rating max. kN (static load only)
K0395.410	M10	32	22	5	10	17	12
K0395.412	M12	40	26	6	12	19	17
K0395.416	M16	50	32	7	14	24	20
K0395.420	M20	60	42	8	18	30	24