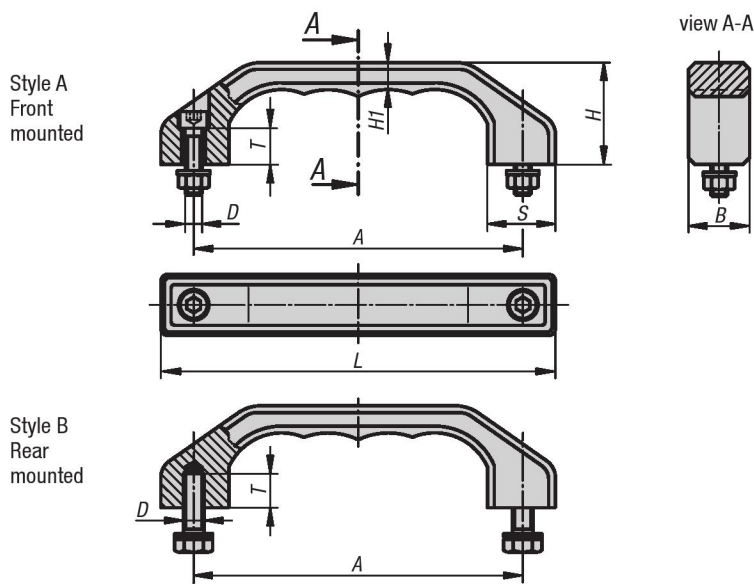


Pull Handles

stainless steel



Material:

Precision cast stainless steel 1.4308.
Fasteners made of 1.4301.

Type:

Abrasive cleaned and matt gloss electropolished.

Part Number Example:

K0198.140081

KIPP Pull Handles, stainless steel, metric

Item No.	Style	A	B	D	H	H1	L	S	T	Load capacity N
K0198.140081	A	140	25	M8x30	45	12	170	28	15	1000
K0198.180101	A	180	32	M10x40	58	15	218	36	18	1000
K0198.140082	B	140	25	M8x18	45	12	170	28	15	1000
K0198.180102	B	180	32	M10x20	58	15	218	36	18	1000