

84N1 SERIES

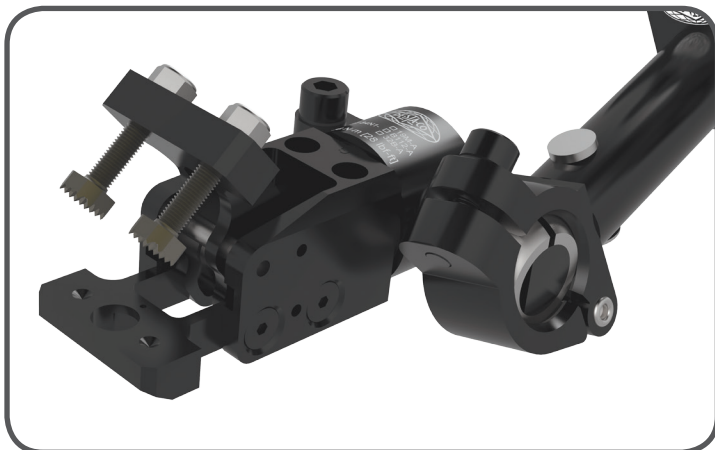
Sheet Metal Grippers | Features and Benefits

The Accelerate[®] Press Room Gripper is designed to compliment the Accelerate[®] Collection, providing a complete lightweight and flexible tooling system.



ACCELERATE
COLLECTION

The Accelerate[®] Collection can handle parts of any size and shape throughout the stamping process.



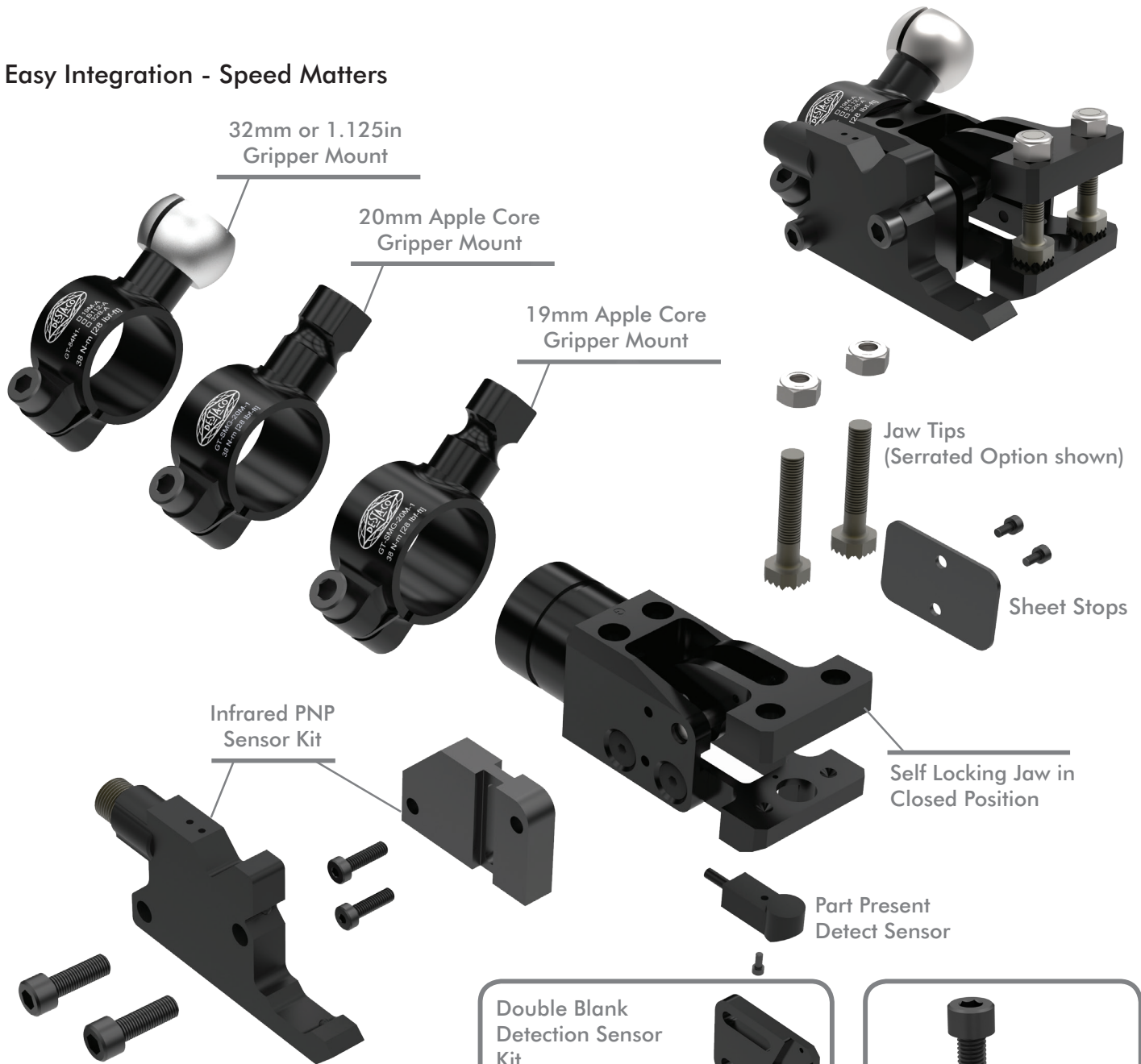
This sheet metal gripper is half the weight, smaller and faster than our closest competition without sacrificing grip force (up to 1000N at 5 bar)



84N1 SERIES

Sheet Metal Grippers | Features and Benefits

Easy Integration - Speed Matters



Serrated tip option is used with double tip jaw style. Single tip jaw style requires Serrated Sensor Tip.



84N1 SERIES

Sheet Metal Grippers | Ordering Information

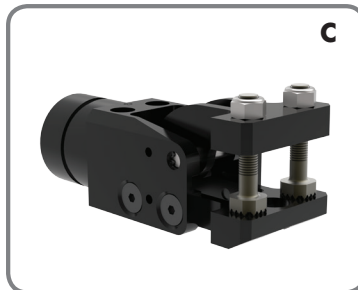
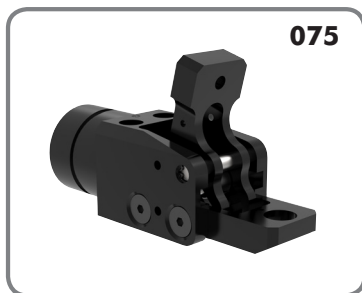
84N1 - **N** - **030** - **F** **A** **02** - **1** - **P** - **1** **0**

Ports
N NPT
G BSPP
T BSPT

Jaw Configuration
F Fixed Bottom Jaw

Opening Angle
030 30° Opening Angle
075 75° Opening Angle
XXX Customer specified opening angle in 5° increments to a maximum of 75°

Jaw Style and Tip Mount
A Single Tip Threaded
C Double Tip Threaded



84N1 SERIES

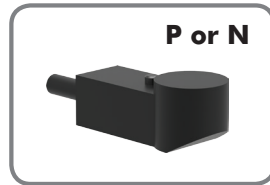
Sheet Metal Grippers | Ordering Information

Part Presence Detection

0
P
N

Description

None
PNP
NPN



P or N

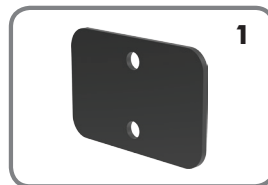
4mm Sensing Range

Sheet Stops

0
1

Description

None
Included



1

Left Sensor Side Mount

0
1
2
3

Description

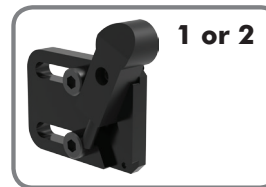
None
Double Blank PNP Sensing
Double Blank NPN Sensing
Infrared PNP Sensing

Right Sensor Side Mount

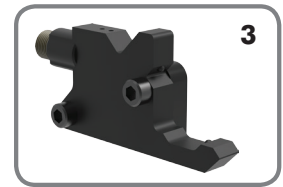
0
1
2
3

Description

None
Double Blank PNP Sensing
Double Blank NPN Sensing
Infrared PNP Sensing



1 or 2



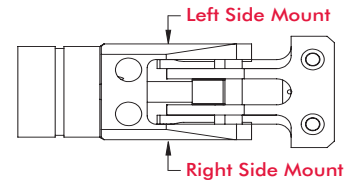
3

0.4 mm Double blank minimum per sheet thickness

Tips

Description

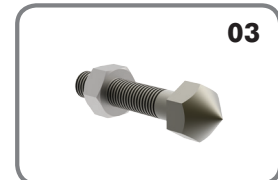
- 00 None
- 01 Serrated for double tip jaw style
- 02 Serrated for use with part present sensor single tip jaw style
- 03 Point Tip
- 04 Peen Tip
- 05 Polyurethane Tip (Durometer 70A)



01



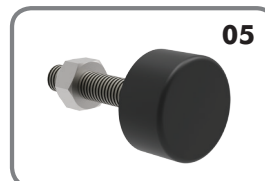
02



03



04



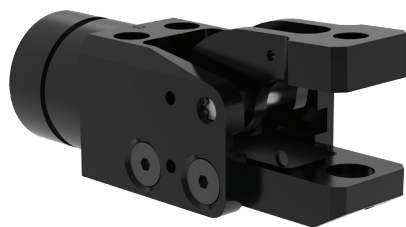
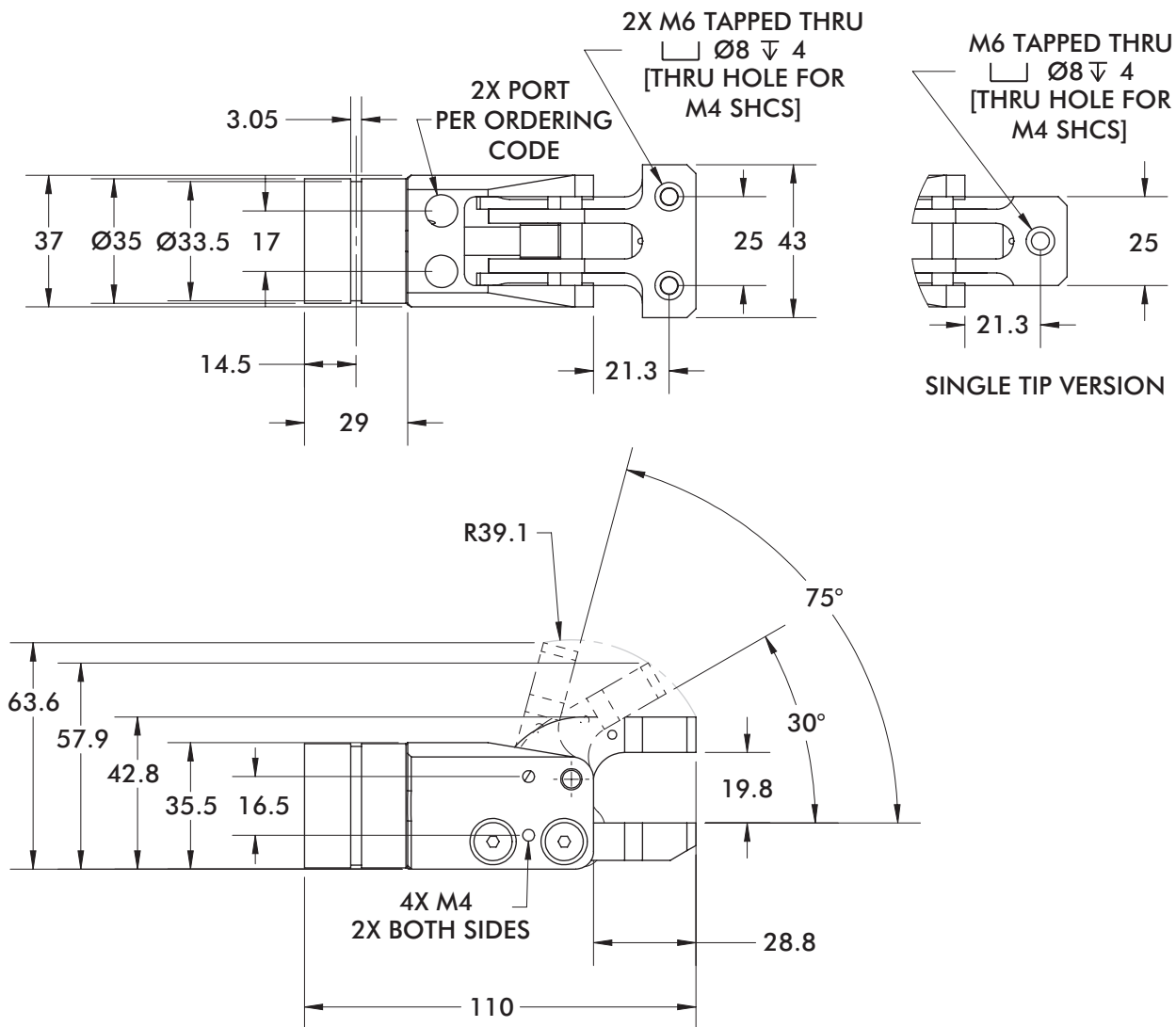
05

Description	Part Number	Single Tip Jaw	Double Tip Jaw
Polyurethane Tip	8JD-1005-1	Yes	Yes
90 Degree Point Tip	8JD-1001-1	Yes*	Yes
Serrated Tip	8JD-1002-1	Yes*	Yes
Peen Tip	8JD-1003-1	Yes*	Yes
Serrated Notched Top (for Jaw Style "A")	8JD-1004-1	Yes	No

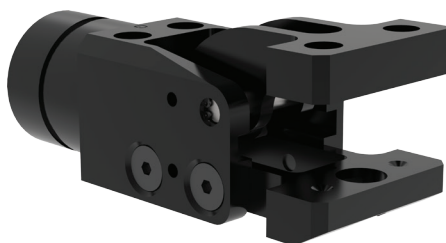
*These options will work on single tip jaws but WILL activate the part present sensor which will result in a false positive if that option is used.

84N1 SERIES

Sheet Metal Grippers | Dimensions and Technical Specifications



Single Tip

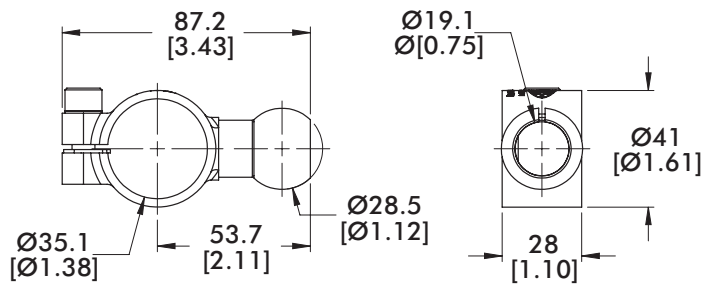


Double Tip

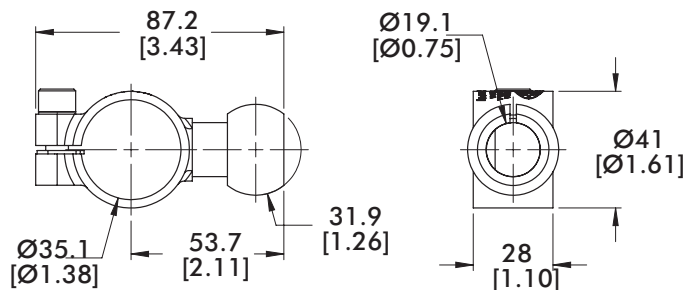
Specification	Unit	
Grip Force at 5 bar	N	Up to 1000
Weight (FC00 version)	Kg	.27
Size L x W x H (closed)	mm	110 x 43 x 43
Size L x W x H (open)	mm	110 x 43 x 64
Actuation Time	ms	33
Life	cycles	5 million
Minimum Operating Pressure	bar	1
Opening Angles (others available upon request)		30°, 75°
Piston Ø	mm	25
Air Consumption/Cycle	L	.015

84N1 MOUNTS

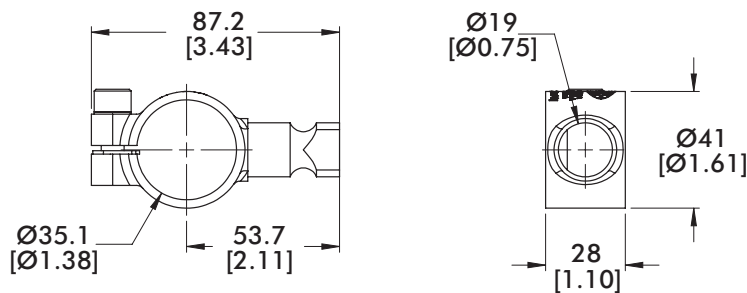
Sheet Metal Grippers | Dimensions and Ordering Information



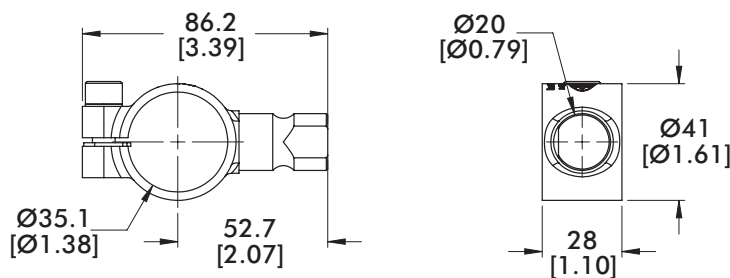
GT-84N1-B112-A



GT-84N1-32B-A



GT-84N1-19M-A



GT-84N1-20M-A

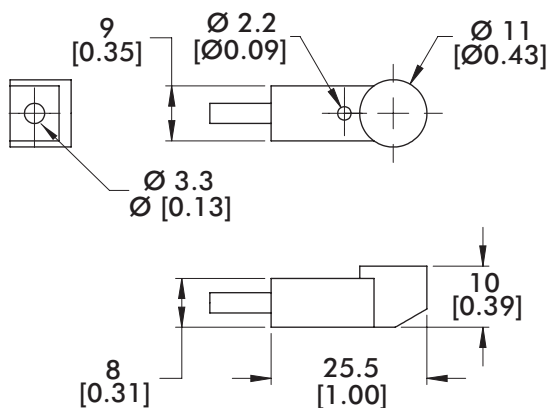


Mount Accessories	Part Number
Gripper 1.125in (28.5mm) Ball Mount	GT-84N1-B112-A
Gripper 32mm Ball Mount	GT-84N1-32B-A
Gripper 19mm Applecore Mount	GT-84N1-19M-A
Gripper 20mm Applecore Mount	GT-84N1-20M-A

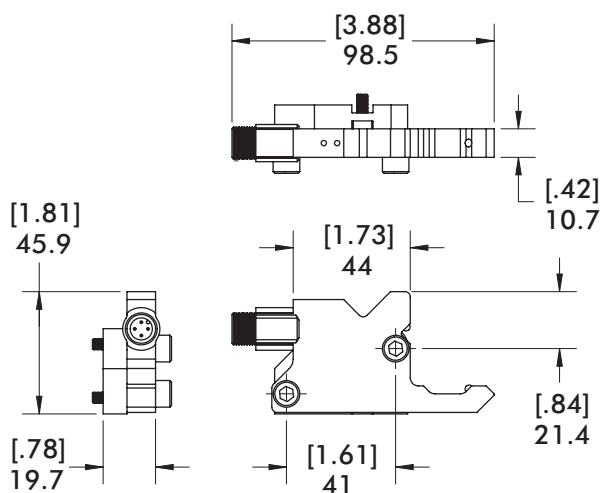
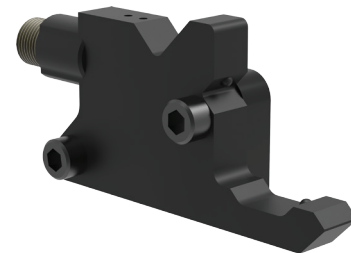
84N1 SENSING OPTIONS

Sheet Metal Grippers | Dimensions and Ordering Information

Jaw Part Present Sensor or Double Blank Sensor (see kit)



Infrared Part Present Sensor and Mounting Adapter



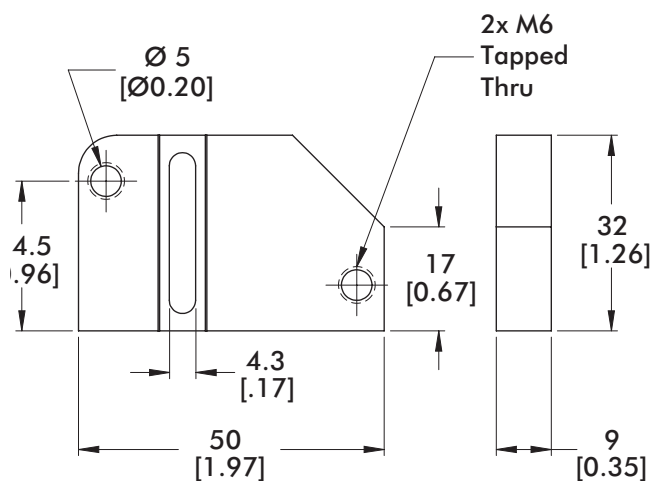
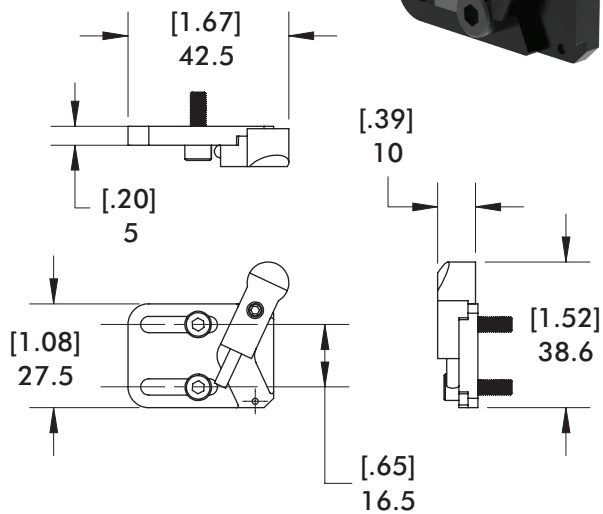
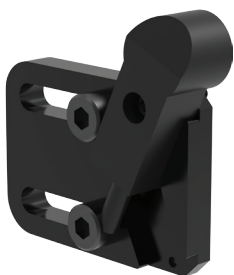
Description

Part Number

PNP Inductive Part Present Sensor Kit **8EA-1024-1**

NPN Inductive Part Present Sensor Kit **8EA-1025-1**

Double Blank Sensor Kit



Description

Part Number

PNP Inductive Double Blank Sensor Kit **8EA-1026-1**

NPN Inductive Double Blank Sensor Kit **8EA-1029-1**

Description

Part Number

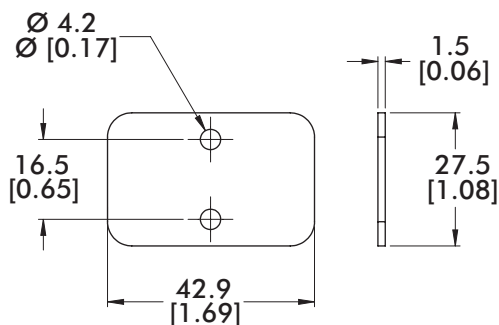
Infrared Part Present Sensor Kit

8EA-1023-1

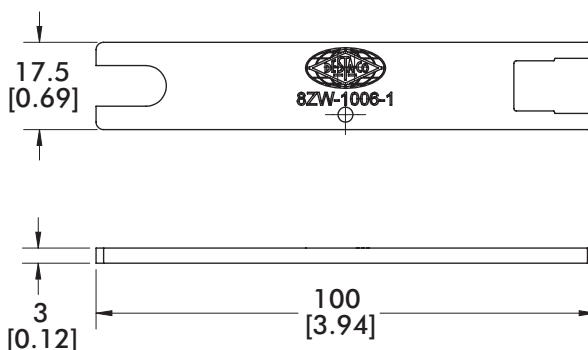
84N1 ACCESSORIES

Sheet Metal Grippers | Dimensions and Ordering Information

Sheet Stop Option



One-Step Easy Tip Adjustment Tool

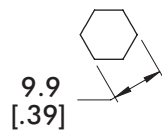
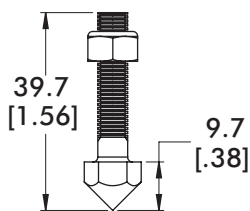
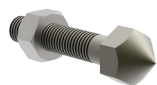


Description	Part Number
Sheet Stop Kit	8MH-1003-1

Includes socket head cap mounting screws

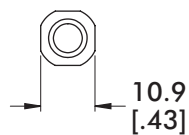
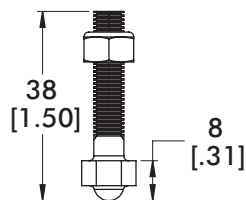
Description	Part Number
One-Step Quick Tip Adjustment Tool	8ZW-1006-1

Jaw Tip Options



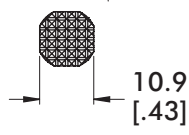
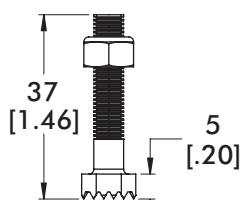
Point Tip

Part Number
8JD-1001-1



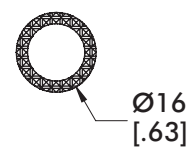
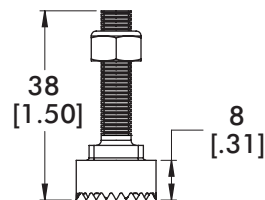
Peen Tip

Part Number
8JD-1003-1



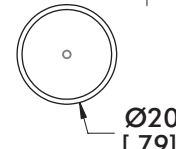
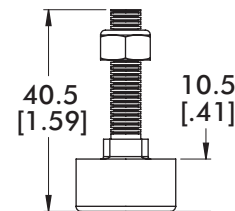
Serrated Tip

Part Number
8JD-1002-1



Serrated Sensor Tip

Part Number
8JD-1004-1



Polyurethane Tip

Part Number
8JD-1005-1