

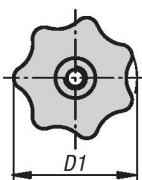
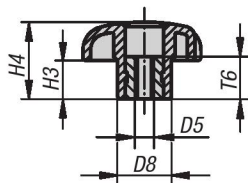


Star Grips

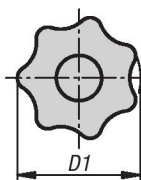
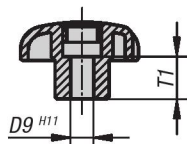
similar to DIN 6336

INCH Parts

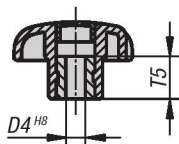
Style D
tapped through hole
without cap



Style G
blind reamed hole
no bushing



Style H
blind reamed hole
with bushing



Material:
Black thermoplastic,
bushing and threaded bolt in steel

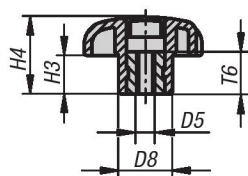
Type:
Bushing and threaded bolt galvanized
and blue chromate finish.

Part Number Example:
K0155.4A17X10
(cap color bright yellow; include length L)

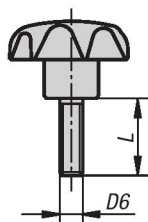
Note:
Δ Add the desired cap color here; no color code is
required for black caps.

On request:
Other colors or designs, such as company logo.

Style K
tapped blind hole
with cap



Style L
with external thread



KIPP Star Grips, similar to DIN 6336, internal thread, style D, inch

Item No.	Style	D1	D5	D8	H3	H4	T6
K0155.5AE	D	25	8-32	12	8	16	10
K0155.5A1	D	25	10-32	12	8	16	10
K0155.5A21	D	25	1/4-20	12	8	16	10
K0155.5A11	D	32	10-32	14	10	20	10
K0155.5A2	D	32	1/4-20	14	10	20	10
K0155.5A3	D	40	5/16-18	18	13	25	14
K0155.5A41	D	40	3/8-16	18	13	25	14
K0155.5A31	D	50	5/16-18	22	17	32	14
K0155.5A4	D	50	3/8-16	22	17	32	14
K0155.5A51	D	50	1/2-13	22	17	32	18
K0155.5A42	D	63	3/8-16	26	21	40	14
K0155.5A5	D	63	1/2-13	26	21	40	18
K0155.5A6	D	63	5/8-11	26	21	40	18

Star Grips

similar to DIN 6336



KIPP Star Grips, similar to DIN 6336, internal thread, style K, inch

Item No.	Style	D1	D5	D8	H3	H4	T6
K0155.2AEΔ	K	25	8-32	12	8	16	10
K0155.2A1Δ	K	25	10-32	12	8	16	10
K0155.2A21Δ	K	25	1/4-20	12	8	16	10
K0155.2A11Δ	K	32	10-32	14	10	20	10
K0155.2A2Δ	K	32	1/4-20	14	10	20	10
K0155.2A3Δ	K	40	5/16-18	18	13	25	14
K0155.2A41Δ	K	40	3/8-16	18	13	25	14
K0155.2A31Δ	K	50	5/16-18	22	17	32	14
K0155.2A4Δ	K	50	3/8-16	22	17	32	14
K0155.2A51Δ	K	50	1/2-13	22	17	32	18
K0155.2A42Δ	K	63	3/8-16	26	21	40	14
K0155.2A5Δ	K	63	1/2-13	26	21	40	18
K0155.2A6Δ	K	63	5/8-11	26	21	40	18

KIPP Star Grips, similar to DIN 6336, reamed hole, style G and H, inch

Item No. Style G	Item No. Style H	D1	D4	D8	D9	H3	H4	T1	T5
K0155.3CLΔ	K0155.1CLΔ	25	-.188	12	.188/-	8	16	10/-	-/10
K0155.3CMΔ	K0155.1CMΔ	32	-.250	14	.250/-	10	20	10/-	-/10
K0155.3CNΔ	K0155.1CNΔ	40	-.312	18	.312/-	13	25	14/-	-/14
K0155.3COΔ	K0155.1COΔ	50	-.375	22	.375/-	17	32	14/-	-/14
-	K0155.1CO1Δ	63	.375	26	-	21	40	-	14
K0155.3CPΔ	K0155.1CPΔ	63	-.500	26	.500/-	21	40	18/-	-/18

KIPP Star Grips, similar to DIN 6336, external thread, style L, inch

Item No.	Style	D1	D6	D8	H3	H4	L
K0155.4A1ΔX	L	25	10-32	12	8	16	10/20
K0155.4A2ΔX	L	25	1/4-20	12	8	16	20/30
K0155.4A21ΔX	L	32	1/4-20	14	10	20	20/30
K0155.4A3ΔX	L	32	5/16-18	14	10	20	20/40
K0155.4A31ΔX	L	40	5/16-18	18	13	25	20/40
K0155.4A4ΔX	L	40	3/8-16	18	13	25	20/40
K0155.4A41ΔX	L	50	3/8-16	22	17	32	20/40
K0155.4A5ΔX	L	50	1/2-13	22	17	32	30/60
K0155.4A42ΔX	L	63	3/8-16	26	21	40	20/40
K0155.4A51ΔX	L	63	1/2-13	26	21	40	30/60

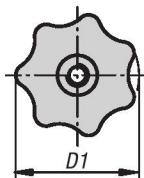
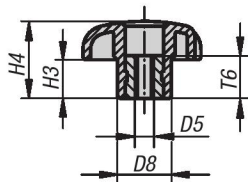


Star Grips

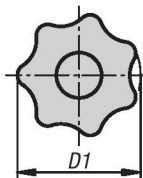
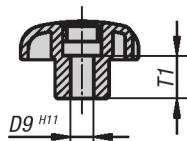
similar to DIN 6336

METRIC
Parts

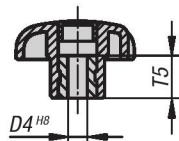
Style D
tapped through hole
without cap



Style G
blind reamed hole
no bushing



Style H
blind reamed hole
with bushing



Material:
Black thermoplastic,
bushing and threaded bolt in steel

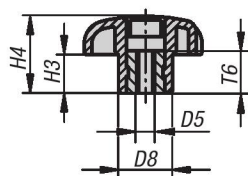
Type:
Bushing and threaded bolt galvanized
and blue chromate finish.

Part Number Example:
K0155.4127X30 (cap color bright yellow;
include length L)

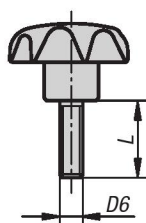
Note:
Δ Add the desired cap color here; no color code
is required for black caps.

On request:
Other colors or designs, such as company logo.

Style K
tapped blind hole
with cap



Style L
with external thread



KIPP Star Grips, similar to DIN 6336, internal thread, style D, metric

Item No.	Style	D1	D5	D8	H3	H4	T6
K0155.504	D	25	M4	12	8	16	10
K0155.505	D	25	M5	12	8	16	10
K0155.5061	D	25	M6	12	8	16	10
K0155.5051	D	32	M5	14	10	20	10
K0155.506	D	32	M6	14	10	20	10
K0155.508	D	40	M8	18	13	25	14
K0155.5101	D	40	M10	18	13	25	14
K0155.5081	D	50	M8	22	17	32	14
K0155.510	D	50	M10	22	17	32	14
K0155.5121	D	50	M12	22	17	32	18
K0155.5102	D	63	M10	26	21	40	14
K0155.512	D	63	M12	26	21	40	18
K0155.516	D	63	M16	26	21	40	18

Star Grips

similar to DIN 6336



KIPP Star Grips, similar to DIN 6336, internal thread, style K, metric

Item No.	Style	D1	D5	D8	H3	H4	T6
K0155.204Δ	K	25	M4	12	8	16	10
K0155.205Δ	K	25	M5	12	8	16	10
K0155.2061Δ	K	25	M6	12	8	16	10
K0155.2051Δ	K	32	M5	14	10	20	10
K0155.206Δ	K	32	M6	14	10	20	10
K0155.208Δ	K	40	M8	18	13	25	14
K0155.2101Δ	K	40	M10	18	13	25	14
K0155.2081Δ	K	50	M8	22	17	32	14
K0155.210Δ	K	50	M10	22	17	32	14
K0155.2121Δ	K	50	M12	22	17	32	18
K0155.2102Δ	K	63	M10	26	21	40	14
K0155.212Δ	K	63	M12	26	21	40	18
K0155.216Δ	K	63	M16	26	21	40	18

KIPP Star Grips, similar to DIN 6336, reamed hole, style G and H, metric

Item No. Style G	Item No. Style H	D1	D4	D8	D9	H3	H4	T1	T5
K0155.305Δ	K0155.105Δ	25	-/5	12	5/-	8	16	10/-	-/10
K0155.306Δ	K0155.106Δ	32	-/6	14	6/-	10	20	10/-	-/10
K0155.308Δ	K0155.108Δ	40	-/8	18	8/-	13	25	14/-	-/14
K0155.310Δ	K0155.110Δ	50	-/10	22	10/-	17	32	14/-	-/14
-	K0155.1101Δ	63	10	26	-	21	40	-	14
K0155.312Δ	K0155.112Δ	63	-/12	26	12/-	21	40	18/-	-/18

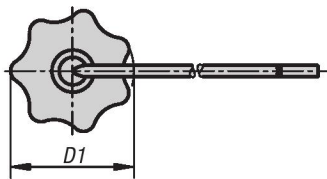
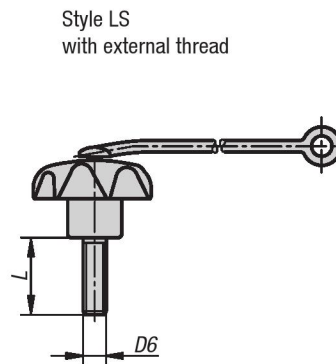
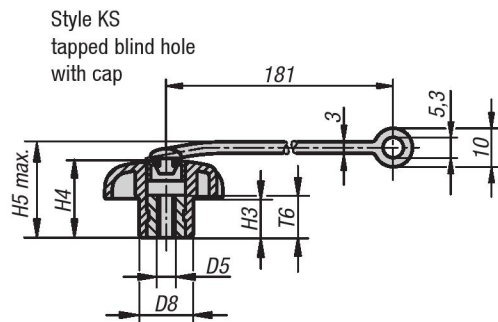
KIPP Star Grips, similar to DIN 6336, external thread, style L, metric

Item No.	Style	D1	D6	D8	H3	H4	L
K0155.405ΔX	L	25	M5	12	8	16	10/15/20/25/30/35/40/45/50/60
K0155.406ΔX	L	25	M6	12	8	16	10/15/20/25/30/35/40/45/50/60
K0155.4061ΔX	L	32	M6	14	10	20	10/15/20/25/30/35/40/45/50/60
K0155.408ΔX	L	32	M8	14	10	20	15/20/25/30/35/40/45/50/60
K0155.4081ΔX	L	40	M8	18	13	25	15/20/25/30/35/40/45/50/60
K0155.410ΔX	L	40	M10	18	13	25	15/20/25/30/35/40/45/50/60
K0155.4101ΔX	L	50	M10	22	17	32	15/20/25/30/35/40/45/50/60
K0155.412ΔX	L	50	M12	22	17	32	15/20/25/30/35/40/45/50/60
K0155.4102ΔX	L	63	M10	26	21	40	20/25/30/35/40/45/50/60
K0155.4121ΔX	L	63	M12	26	21	40	20/25/30/35/40/45/50/60
K0155.416ΔX	L	63	M16	26	21	40	30/35/40/45/50/60

Star Grips with safety lanyard

similar to DIN 6336

METRIC
Parts



Material:

Black thermoplastic.
Bushing and threaded bolt in steel.
Safety lanyard made of elastic TPU

Type:

Bushing and threaded bolt natural finish

Part Number Example:

K0155.7056X15
(cap color: traffic red;
include length L)

Note:

Δ Add the desired cap color here. No color code is required with a black cap color.

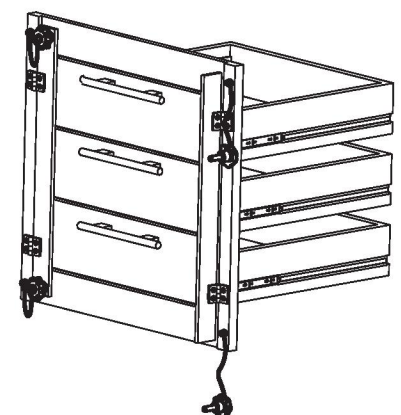
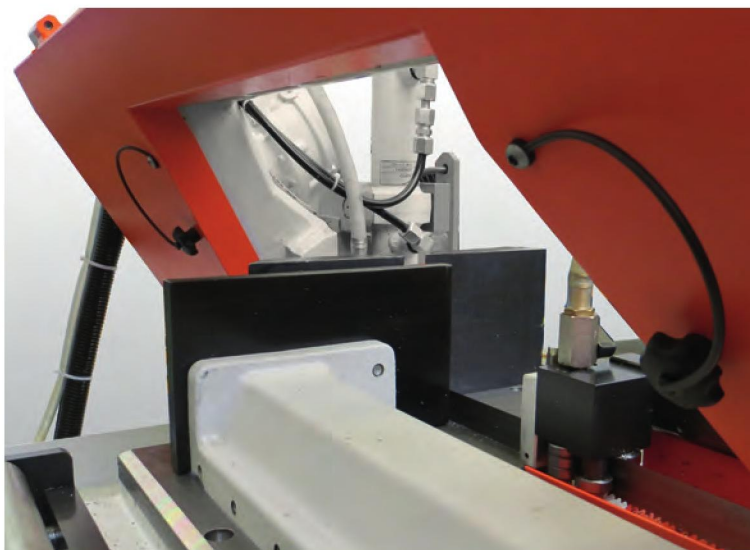
With the safety lanyard, the star grip can be attached to a base to make it unlosable. The star grip remains in the immediate vicinity of the object. This simplifies assembly / dismantling of the star grip and ensures against loss.

Assembly:

Do not stretch the lanyard during assembly. Make sure that the anchor is not too far from where the star grip is to be used.

Accessories:

The safety band is also available as an accessory, see K0743.04190.



Star Grips with safety lanyard

similar to DIN 6336



KIPP Star grips with safety lanyard, steel, internal thread, style KS, metric

Item No.	Style	D1	D5	D8	H3	H4	H5 max.	T6
K0155.604Δ	KS	25	M4	12	8	16	22	10
K0155.605Δ	KS	25	M5	12	8	16	22	10
K0155.6051Δ	KS	32	M5	14	10	20	26	10
K0155.606Δ	KS	32	M6	14	10	20	26	10
K0155.6061Δ	KS	25	M6	12	8	16	22	10
K0155.608Δ	KS	40	M8	18	13	25	31	14
K0155.6081Δ	KS	50	M8	22	17	32	38	14
K0155.610Δ	KS	50	M10	22	17	32	38	14
K0155.6101Δ	KS	40	M10	18	13	25	31	14
K0155.6102Δ	KS	63	M10	26	21	40	46	14
K0155.612Δ	KS	63	M12	26	21	40	46	14
K0155.6121Δ	KS	50	M12	22	17	32	38	14
K0155.616Δ	KS	63	M16	26	21	40	46	14

KIPP Star grips with safety lanyard, steel, external thread, style LS, metric

Item No.	Style	D1	D6	D8	H3	H4	H5 max.	L
K0155.705ΔX	LS	25	M5	12	8	16	22	10/15/20/25/30/35/40/45/50/60
K0155.706ΔX	LS	25	M6	12	8	16	22	10/15/20/25/30/35/40/45/50/60
K0155.7061ΔX	LS	32	M6	14	10	20	26	10/15/20/25/30/35/40/45/50/60
K0155.708ΔX	LS	32	M8	14	10	20	26	15/20/25/30/35/40/45/50/60
K0155.7081ΔX	LS	40	M8	18	13	25	31	15/20/25/30/35/40/45/50/60
K0155.710ΔX	LS	40	M10	18	13	25	31	15/20/25/30/35/40/45/50/60
K0155.7101ΔX	LS	50	M10	22	17	32	38	15/20/25/30/35/40/45/50/60
K0155.712ΔX	LS	50	M12	22	17	32	38	15/20/25/30/35/40/45/50/60
K0155.7102ΔX	LS	63	M10	26	21	40	46	20/25/30/35/40/45/50/60
K0155.7121ΔX	LS	63	M12	26	21	40	46	20/25/30/35/40/45/50/60
K0155.716ΔX	LS	63	M16	26	21	40	46	30/35/40/45/50/60