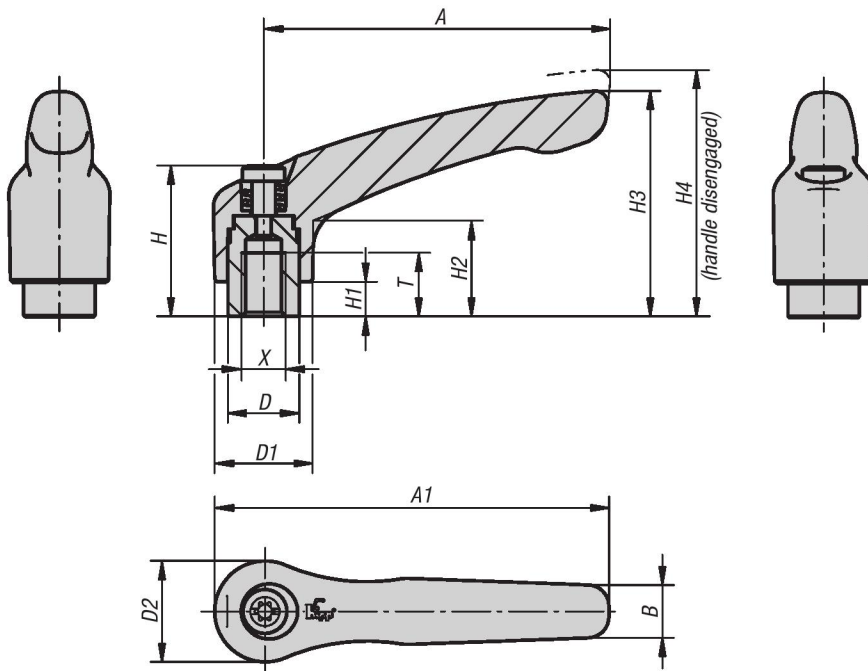




Adjustable Handles

Modern Design Style, Zinc, inserts and internal components in steel, internal thread

METRIC Parts INCH Parts



Material:

Handle die-cast zinc DIN 12844.
Steel parts quality class 5.8.

Type:

Handle powder-coated, except high-polished chromium plated versions, steel parts black oxide finish

Part Number Example:

K0122.OAD1
(handle color black satin finish)

Note:

Δ Add the desired lever color here.

Standard colors are:

- black satin finish, orange RAL 2004, ruby red RAL 3003, silver metallic, high gloss chromate.

On request:

Other internal threads, colors and special versions.

Dimension "H1" can be produced in other lengths at an additional charge.

lift to disengage



black satin finish Δ = 1 	orange Δ = 2 RAL 2004 	ruby red Δ = 27 RAL 3003 	silver metallic Δ = 3 	high-polish chromium-plated Δ = 6 
---	---	--	--	--



Adjustable Handles

Modern Design Style, Zinc, inserts and internal components in steel, internal thread

KIPP Adjustable Handles, Modern Design Style, Zinc, with internal thread, components in steel, inch

Item No.	Size	X	T	D	D1	D2	H	H1	H2	H3	H4	A	A1	B	No. of teeth
K0122.0A0Δ	0	6-32	9	10	13	14	24.5	4	14.5	30	33	30	37	7	16
K0122.0A1Δ	0	8-32	9	10	13	14	24.5	4	14.5	30	33	30	37	7	16
K0122.0A2Δ	0	10-24	9	10	13	14	24.5	4	14.5	30	33	30	37	7	16
K0122.0A3Δ	0	10-32	9	10	13	14	24.5	4	14.5	30	33	30	37	7	16
K0122.0A4Δ	0	1/4-20	9	10	13	14	24.5	4	14.5	30	33	30	37	7	16
K0122.1A0Δ	1	8-32	9	10	13	14	24.5	4	14.5	31	34	40	47	7	16
K0122.1A1Δ	1	10-24	9	10	13	14	24.5	4	14.5	31	34	40	47	7	16
K0122.1A2Δ	1	10-32	9	10	13	14	24.5	4	14.5	31	34	40	47	7	16
K0122.1A3Δ	1	1/4-20	9	10	13	14	24.5	4	14.5	31	34	40	47	7	16
K0122.2A2Δ	2	1/4-20	12	13.5	18.5	19	28.5	6.5	17.5	42.5	45.5	65	74.5	9.5	20
K0122.2A3Δ	2	5/16-18	12	13.5	18.5	19	28.5	6.5	17.5	42.5	45.5	65	74.5	9.5	20
K0122.3A3Δ	3	5/16-18	14	16	21	22	37	10	24	54.5	58.5	80	91	11	22
K0122.3A4Δ	3	3/8-16	14	16	21	22	37	10	24	54.5	58.5	80	91	11	22
K0122.4A4Δ	4	3/8-16	17	19	27	27.5	43	10	27	63	67.5	95	109	13	24
K0122.4A5Δ	4	1/2-13	17	19	27	27.5	43	10	27	63	67.5	95	109	13	24
K0122.5A5Δ	5	1/2-13	23	23	31	32	49	12	31.5	73	77.5	110	126	15	26
K0122.5A6Δ	5	5/8-11	23	23	31	32	49	12	31.5	73	77.5	110	126	15	26

KIPP Adjustable Handles, Modern Design Style, Zinc, with internal thread, components in steel, metric

Item No.	Size	X	T	D	D1	D2	H	H1	H2	H3	H4	A	A1	B	No. of teeth
K0122.003Δ	0	M3	9	10	13	14	24,5	4	14,5	30	33	30	37	7	16
K0122.004Δ	0	M4	9	10	13	14	24,5	4	14,5	30	33	30	37	7	16
K0122.005Δ	0	M5	9	10	13	14	24,5	4	14,5	30	33	30	37	7	16
K0122.104Δ	1	M4	9	10	13	14	24,5	4	14,5	31	34	40	47	7	16
K0122.105Δ	1	M5	9	10	13	14	24,5	4	14,5	31	34	40	47	7	16
K0122.106Δ	1	M6	9	10	13	14	24,5	4	14,5	31	34	40	47	7	16
K0122.206Δ	2	M6	12	13,5	18,5	19	28,5	6,5	17,5	42,5	45,5	65	74,5	9,5	20
K0122.208Δ	2	M8	12	13,5	18,5	19	28,5	6,5	17,5	42,5	45,5	65	74,5	9,5	20
K0122.308Δ	3	M8	14	16	21	22	37	10	24	54,5	58,5	80	91	11	22
K0122.310Δ	3	M10	14	16	21	22	37	10	24	54,5	58,5	80	91	11	22
K0122.410Δ	4	M10	17	19	27	27,5	43	10	27	63	67,5	95	109	13	24
K0122.412Δ	4	M12	17	19	27	27,5	43	10	27	63	67,5	95	109	13	24
K0122.512Δ	5	M12	23	23	31	32	49	12	31,5	73	77,5	110	126	15	26
K0122.516Δ	5	M16	23	23	31	32	49	12	31,5	73	77,5	110	126	15	26



Adjustable Handles

Modern Design Style, Zinc, bolts and internal components in steel, external thread

INCH Parts METRIC Parts



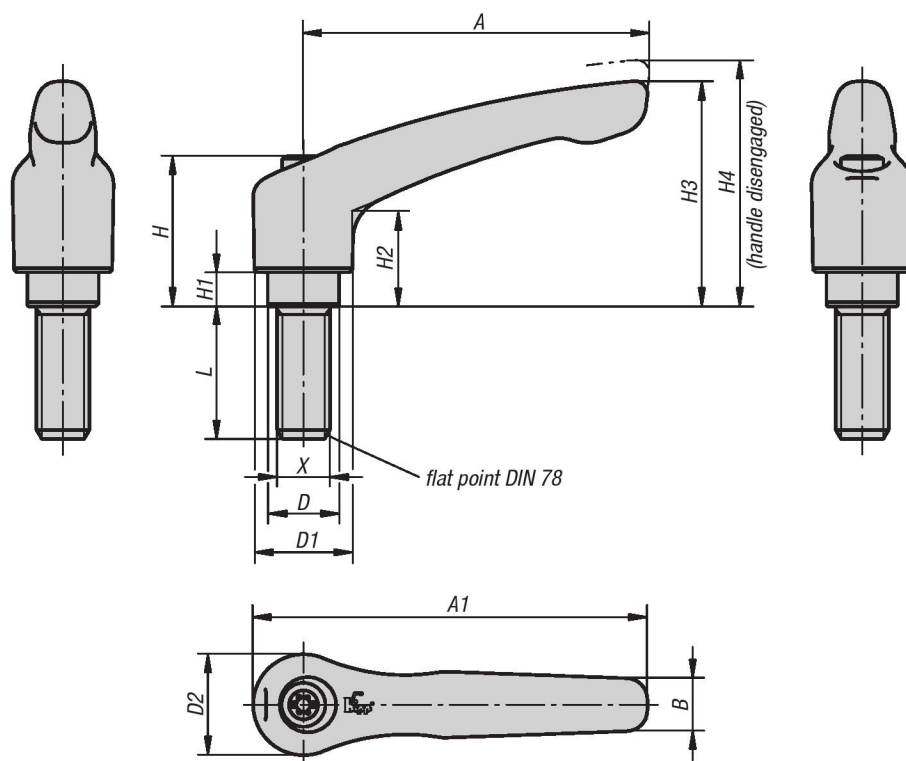
Material:
Handle die-cast zinc DIN 12844.
Steel parts quality class 5.8.

Type:
Handle powder-coated, except high-polished chromium plated versions, steel parts black oxide finish

Part Number Example:
K0122.0AE1X10
(handle color black satin finish; include length L)

Note:
Δ Add the desired handle color here

On request:
Other external threads, screw lengths, colors and special versions.
Dimension "H1" can be produced in other lengths at an additional charge.



black satin finish Δ = 1 	orange Δ = 2 RAL 2004 	ruby red Δ = 27 RAL 3003 	silver metallic Δ = 3 	high-polish chromium-plated Δ = 6
------------------------------	------------------------------	---------------------------------	---------------------------	---------------------------------------



Adjustable Handles

Modern Design Style, Zinc, bolts and internal components in steel, external thread

KIPP Adjustable Handles, Modern Design Style, Zinc, with external thread, components in steel, inch

Item No.	Size	X	D	D1	D2	H	H1	H2	H3	H4	A	A1	B	No. of teeth	L
K0122.0AEΔX	0	8-32	10	13	14	24.5	4	14.5	30	33	30	37	7	16	10/15/20/25/30/35/40/45/50
K0122.0A0ΔX	0	10-24	10	13	14	24.5	4	14.5	30	33	30	37	7	16	10/15/20/25/30/35/40/45/50
K0122.0A1ΔX	0	10-32	10	13	14	24.5	4	14.5	30	33	30	37	7	16	10/15/20/25/30/35/40/45/50
K0122.0A2ΔX	0	1/4-20	10	13	14	24.5	4	14.5	30	33	30	37	7	16	10/15/20/25/30/35/40/45/50
K0122.1A0ΔX	1	10-24	10	13	14	24.5	4	14.5	31	34	40	47	7	16	10/15/20/25/30/35/40/45/50
K0122.1A1ΔX	1	10-32	10	13	14	24.5	4	14.5	31	34	40	47	7	16	10/15/20/25/30/35/40/45/50
K0122.1A2ΔX	1	1/4-20	10	13	14	24.5	4	14.5	31	34	40	47	7	16	10/15/20/25/30/35/40/45/50
K0122.2A2ΔX	2	1/4-20	13.5	18.5	19	28.5	6.5	17.5	42.5	45.5	65	74.5	9.5	20	15/20/25/30/35/40/45/50/55/60
K0122.2A3ΔX	2	5/16-18	13.5	18.5	19	28.5	6.5	17.5	42.5	45.5	65	74.5	9.5	20	15/20/25/30/35/40/45/50/55/60
K0122.2A4ΔX	2	3/8-16	13.5	18.5	19	28.5	6.5	17.5	42.5	45.5	65	74.5	9.5	20	15/20/25/30/35/40/45/50/55/60
K0122.3A3ΔX	3	5/16-18	16	21	22	37	10	24	54.5	58.5	80	91	11	22	15/20/25/30/35/40/45/50/55/60
K0122.3A4ΔX	3	3/8-16	16	21	22	37	10	24	54.5	58.5	80	91	11	22	15/20/25/30/35/40/45/50/55/60
K0122.4A4ΔX	4	3/8-16	19	27	27.5	43	10	27	63	67.5	95	109	13	24	20/25/30/35/40/45/50/55/60/70/80/90
K0122.4A5ΔX	4	1/2-13	19	27	27.5	43	10	27	63	67.5	95	109	13	24	20/25/30/35/40/45/50/55/60/70/80/90
K0122.5A5ΔX	5	1/2-13	23	31	32	49	12	31.5	73	77.5	110	126	15	26	25/30/35/40/45/50/55/60/70/80/90
K0122.5A6ΔX	5	5/8-11	23	31	32	49	12	31.5	73	77.5	110	126	15	26	25/30/35/40/45/50/55/60/70/80/90

KIPP Adjustable Handles, Modern Design Style, Zinc, with external thread, components in steel, metric

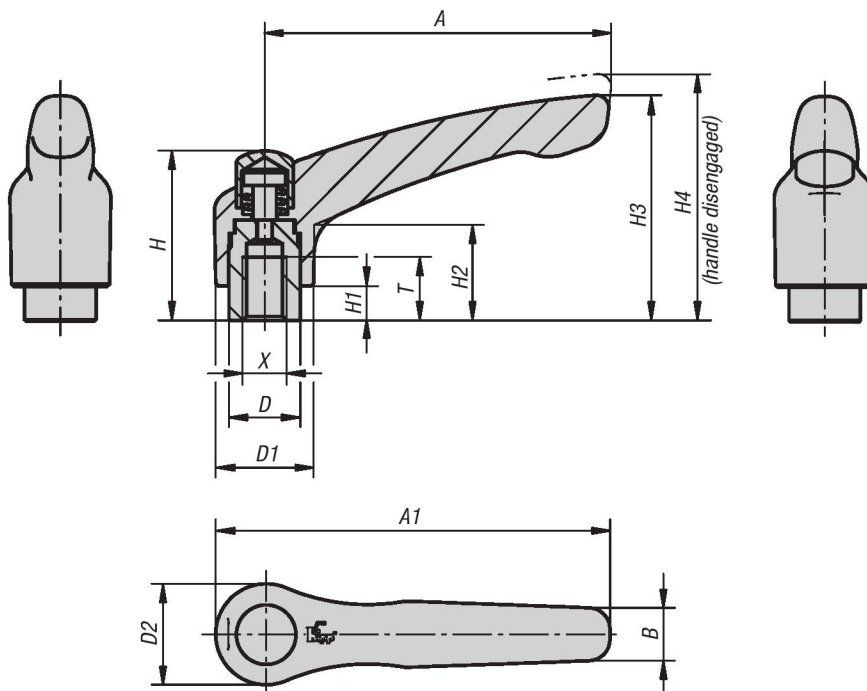
Item No.	Size	X	D	D1	D2	H	H1	H2	H3	H4	A	A1	B	No. of teeth	L
K0122.004ΔX	0	M4	10	13	14	24,5	4	14,5	30	33	30	37	7	16	10/15/20/25/30/35/40/45/50
K0122.005ΔX	0	M5	10	13	14	24,5	4	14,5	30	33	30	37	7	16	10/15/20/25/30/35/40/45/50
K0122.105ΔX	1	M5	10	13	14	24,5	4	14,5	31	34	40	47	7	16	10/15/20/25/30/35/40/45/50
K0122.106ΔX	1	M6	10	13	14	24,5	4	14,5	31	34	40	47	7	16	10/15/20/25/30/35/40/45/50
K0122.206ΔX	2	M6	13,5	18,5	19	28,5	6,5	17,5	42,5	45,5	65	74,5	9,5	20	15/20/25/30/35/40/45/50/55/60
K0122.208ΔX	2	M8	13,5	18,5	19	28,5	6,5	17,5	42,5	45,5	65	74,5	9,5	20	15/20/25/30/35/40/45/50/55/60
K0122.210ΔX	2	M10	13,5	18,5	19	28,5	6,5	17,5	42,5	45,5	65	74,5	9,5	20	15/20/25/30/35/40/45/50/55/60
K0122.308ΔX	3	M8	16	21	22	37	10	24	54,5	58,5	80	91	11	22	15/20/25/30/35/40/45/50/55/60
K0122.310ΔX	3	M10	16	21	22	37	10	24	54,5	58,5	80	91	11	22	15/20/25/30/35/40/45/50/55/60
K0122.410ΔX	4	M10	19	27	27,5	43	10	27	63	67,5	95	109	13	24	20/25/30/35/40/45/50/55/60/70/80/90
K0122.412ΔX	4	M12	19	27	27,5	43	10	27	63	67,5	95	109	13	24	20/25/30/35/40/45/50/55/60/70/80/90
K0122.512ΔX	5	M12	23	31	32	49	12	31,5	73	77,5	110	126	15	26	25/30/35/40/45/50/55/60/70/80/90
K0122.516ΔX	5	M16	23	31	32	49	12	31,5	73	77,5	110	126	15	26	25/30/35/40/45/50/55/60/70/80/90



Adjustable Handles with protective cap

Modern Design Style, Zinc, inserts and internal components in steel, internal thread

INCH Parts
METRIC Parts



Material:

Handle die-cast zinc DIN 12844.
Steel parts quality class 5.8.
Protective cap stainless steel, 1.4305.

Type:

Handle powder-coated;
steel parts black oxide finish;
protective cap in stainless steel, natural finish

Part Number Example:

K0122.92A21

Note:

Standard colors are:
black satin finish, orange RAL 2004.

On request:

Other internal threads, colors and special versions.
Dimension "H1" can be produced in other lengths at an additional charge.

lift to
disengage





Adjustable Handles with protective cap

Modern Design Style, Zinc, inserts and internal components in steel, internal thread

KIPP Adjustable Handles with protective cap, Zinc, bolts and internal components in steel, internal thread, inch

Item No. black satin finish	Item No. orange	Size	X	T	D	D1	D2	H	H1	H2	H3	H4	A	A1	B	No. of teeth
K0122.92A21	K0122.92A22	2	1/4-20	12	13.5	18.5	19	32	6.5	17.5	42.5	45.5	65	74.5	9.5	20
K0122.92A31	K0122.92A32	2	5/16-18	12	13.5	18.5	19	32	6.5	17.5	42.5	45.5	65	74.5	9.5	20
K0122.93A31	K0122.93A32	3	5/16-18	14	16	21	22	41.5	10	24	54.5	58.5	80	91	11	22
K0122.93A41	K0122.93A42	3	3/8-16	14	16	21	22	41.5	10	24	54.5	58.5	80	91	11	22

KIPP Adjustable Handles with protective cap, Zinc, bolts and internal components in steel, internal thread, metric

Item No. black satin finish	Item No. orange	Size	X	T	D	D1	D2	H	H1	H2	H3	H4	A	A1	B	No. of teeth
K0122.92061	K0122.92062	2	M6	12	13,5	18,5	19	32	6,5	17,5	42,5	45,5	65	74,5	9,5	20
K0122.92081	K0122.92082	2	M8	12	13,5	18,5	19	32	6,5	17,5	42,5	45,5	65	74,5	9,5	20
K0122.93081	K0122.93082	3	M8	14	16	21	22	41,5	10	24	54,5	58,5	80	91	11	22
K0122.93101	K0122.93102	3	M10	14	16	21	22	41,5	10	24	54,5	58,5	80	91	11	22



Adjustable Handles with protective cap

Modern Design Style, Zinc, bolts and internal components in steel, external thread

INCH
Parts

METRIC
Parts



Material:

Handle die-cast zinc DIN 12844.
Steel parts quality class 5.8.
Protective cap stainless steel, 1.4305.

Type:

Handle powder-coated;
steel parts black oxide finish;
protective cap stainless steel, natural finish

Part Number Example:

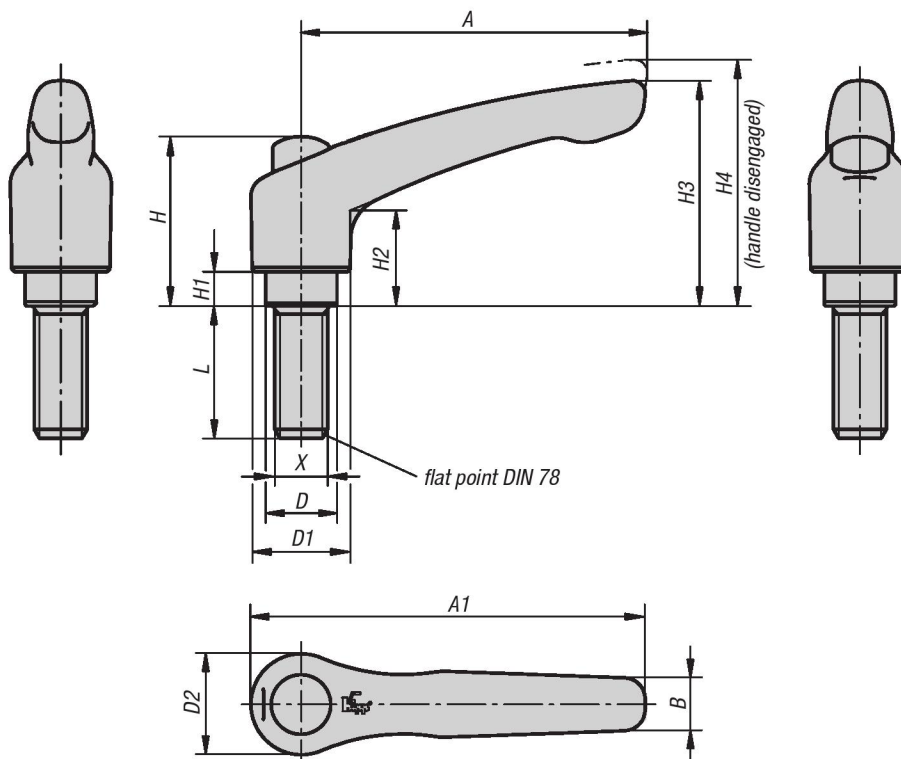
K0122.92A21X15
(include length L)

Note:

Standard colors are:
black satin finish, orange RAL 2004.

On request:

Other internal threads, colors and special versions.
Dimension "H1" can be produced in other lengths at an additional charge.



lift to
disengage





Adjustable Handles with protective cap

Modern Design Style, Zinc, bolts and internal components in steel, external thread

KIPP Measurements, external thread

Size	X	D	D1	D2	H	H1	H2	H3	H4	A	A1	B	No. of teeth
2	1/4-20 ; 5/16-18 ; 3/8-16	13.5	18.5	19	32	6.5	17.5	42.5	45.5	65	74.5	9.5	20
3	5/16-18 ; 3/8-16	16	21	22	41.5	10	24	54.5	58.5	80	91	11	22
2	M6 ; M8 ; M10	13,5	18,5	19	32	6,5	17,5	42,5	45,5	65	74,5	9,5	20
3	M8 ; M10	16	21	22	41,5	10	24	54,5	58,5	80	91	11	22

KIPP Adjustable Handles with protective cap, Zinc, bolts and internal components in steel, external thread, inch

Item No. black satin finish	Item No. orange	Size	X	L
K0122.92A21X	K0122.92A22X	2	1/4-20	15/20/25/30/35/40/45/50/55/60
K0122.92A31X	K0122.92A32X	2	5/16-18	15/20/25/30/35/40/45/50/55/60
K0122.92A41X	K0122.92A42X	2	3/8-16	15/20/25/30/35/40/45/50/55/60
K0122.93A31X	K0122.93A32X	3	5/16-18	15/20/25/30/35/40/45/50/55/60
K0122.93A41X	K0122.93A42X	3	3/8-16	15/20/25/30/35/40/45/50/55/60

KIPP Adjustable Handles with protective cap, Zinc, bolts and internal components in steel, external thread, metric

Item No. black satin finish	Item No. orange	Size	X	L
K0122.92061X	K0122.92062X	2	M6	15/20/25/30/35/40/45/50/55/60
K0122.92081X	K0122.92082X	2	M8	15/20/25/30/35/40/45/50/55/60
K0122.92101X	K0122.92102X	2	M10	15/20/25/30/35/40/45/50/55/60
K0122.93081X	K0122.93082X	3	M8	15/20/25/30/35/40/45/50/55/60
K0122.93101X	K0122.93102X	3	M10	15/20/25/30/35/40/45/50/55/60