

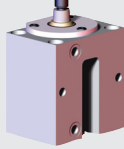
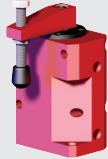


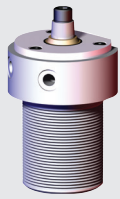


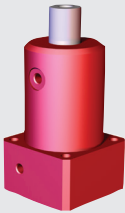
PNEUMATIC SWING CLAMPS

Sizing and Application Chart

Series	Standard Features	Bore [in]mm	Clamping Stroke [in]mm	Clamping Force [lbf.]N
9500 Series 	<ul style="list-style-type: none"> • Arm rotates at the top of stroke • Shielded rod protects against weld spatter • NEW mounting options • Sensor ready • Keyed arm connection adjustable in 90° increments • Clamp arm sold separately 	[0.86] 22	[0.50] 13	[34] 150
		[1.26] 32	[0.79] 20	[76] 340
		[1.57] 40		[123] 550
		[1.97] 50		[196] 870
89R Series 	<ul style="list-style-type: none"> • Field changeable swing direction • Multiple mounting accessories • Sensor ready • Locking taper arm connection for 360° adjustability • Clamp arm sold separately 	[0.79] 20	[0.39] 10	[18] 80
		[1.26] 32	[0.39]10 [0.98]25	[55] 245
		[1.57] 40		[85] 380
		[1.97] 50	[0.98] 25	[138] 614
		[2.48] 63	[218] 970	
89B Series 	<ul style="list-style-type: none"> • Block style body for side mounting • Metric design featuring G-ports • Sensor ready • Locking taper arm connection for 360° adjustability • Clamp arm sold separately 	[0.79] 20	[0.39] 10	[18] 80
		[1.26] 32		[52] 231
		[1.57] 40		[85] 378
		[1.97] 50	[0.98] 25	[161] 716
		[2.48] 63	[0.32] 8	[247] 1100
8100/8300 Series 	<ul style="list-style-type: none"> • Block style body for side mounting • Imperial design featuring NPT ports • Sensor ready • Locking taper arm connection for 360° adjustability • Clamp arm and spindle included 	[0.75] 19,1	[0.38] 9,7	[18] 80
		[1.50] 38,1	[0.50] 12,7	[67] 298

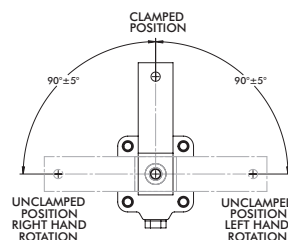
PNEUMATIC SWING CLAMPS

Sizing and Application Chart

Series	Standard Features	Bore [in]mm	Clamping Stroke [in]mm	Clamping Force [lbf.]N
89E Series 	<ul style="list-style-type: none"> • Threaded body style body through-hole mounting • Metric design featuring G-ports • Not sensing capable • Locking taper arm connection for 360° adjustability • Clamp arm sold separately 	[0.79] 20	[0.39] 10	[18] 80
		[1.26] 32		[52] 231
		[1.57] 40	[85] 378	
		[1.97] 50	[0.98] 25	[161] 716
		[2.48] 63	[0.32] 8	[247] 1100
8000/8200/8400 Series 	<ul style="list-style-type: none"> • Threaded body style body through-hole mounting • Imperial design featuring NPT ports • Sensor ready • Locking taper arm connection for 360° adjustability • Clamp arm and spindle included 	[0.75] 19,1	[0.38] 9,7	[1.50] 38,1
		[1.19] 30,2	[67] 300	
		[1.50] 38,1	[0.50] 12,7	[55] 245
035-1 Series 	<ul style="list-style-type: none"> • Compact, low profile design • Threaded body style body through-hole mounting • Imperial design featuring NPT ports • Not sensing capable • Clamp-on style arm connections for 360° adjustability • Clamp arm sold separately 	[0.98] 25	[0.53] 13,5	[20] 89
		[1.26] 32	[0.57] 14,5	[30] 133
		[1.57] 40	[0.63] 16	[60] 267
		[1.97] 50	[0.55] 14	[69] 307
035-2 Series 	<ul style="list-style-type: none"> • Compact, low profile design • Bottom flange mounting • Imperial design featuring NPT ports • Not sensing capable • Clamp-on style arm connections for 360° adjustability • Clamp arm sold separately 	[0.98] 25	[0.51] 13	[20] 89
		[1.26] 32	[0.49] 12,4	[30] 133
		[1.57] 40	[0.52] 13,3	[60] 267
		[1.97] 50	[0.51] 12,8	[69] 307

Application Note:

Swing Cylinder Rotation: The frame of reference for specifying the rotation direction (left or right) is the clamp arm viewed from above during the clamping stroke. A RIGHT HAND unit rotates CLOCKWISE and then clamps down; a LEFT HAND unit rotates COUNTER-CLOCKWISE and then clamps down.



9500 SERIES

Pneumatic Swing Clamps | Product Overview

Features:

- Ideal for tight spaces with an arm motion that rotates at the top of the stroke
- Includes a rod weld cover to protect the rod throughout the entire stroke
- Can be mounted on any face with optional side flange mounting kit

Applications:

- Assembly
- Welding
- Light machining

Also Available:

See page 6 for mounting options

See page 7 for clamping arms

See page 40 for sensing options

Covered under one year or more U.S./International Patents

9522-2



9530-2



9540-2



9550-2



Shown with optional clamping arm.

Technical Information

Model	Swing Direction	Total Stroke [in.]mm	Stroke During Rotation [in.]mm	Vertical Clamping Stroke [in.]mm	Clamping Force @ [lbf.]N†	Bore Size [in.]mm	Air Consumption‡ dm³[in³]	Weight [lb.]kg	Replacement Seal Kit
9522-2L	LH	[0.50]		[0.50]	[34]	[0.86]	[0.004]	[0.68]	952292
9522-2R	RH	13		13	150	22	0,10	0,31	
9530-2L	LH	[0.79]	--	[0.79]	[76]	[1.26]	[0.010]	[1.25]	953092
9530-2R	RH				340	32	0,29	0,57	
9540-2L	LH	20		20	[123]	[1.57]	[0.016]	[1.98]	954092
9540-2R	RH				550	40	0,46	0,90	
9550-2L	LH				[196]	[1.97]	[0.026]	[3.33]	955092
9550-2R	RH				870	50	0,74	1,51	
9550-2GR									

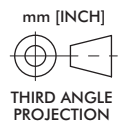
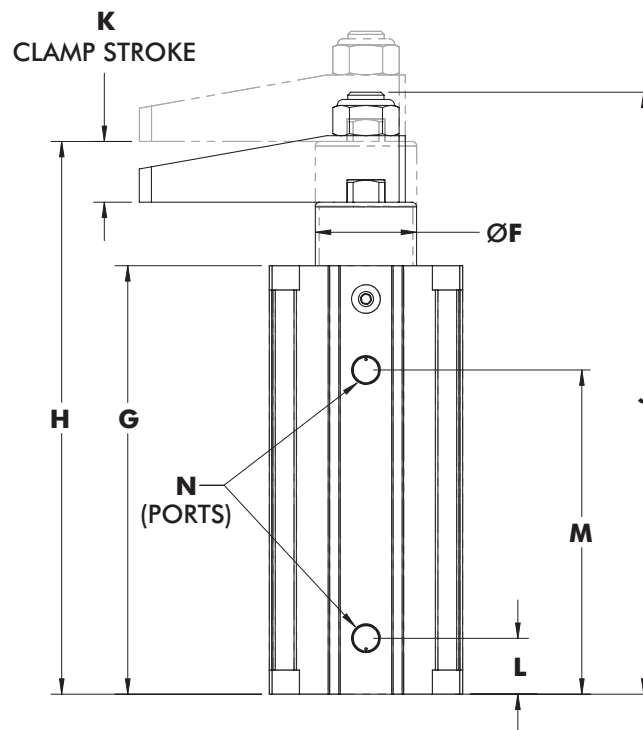
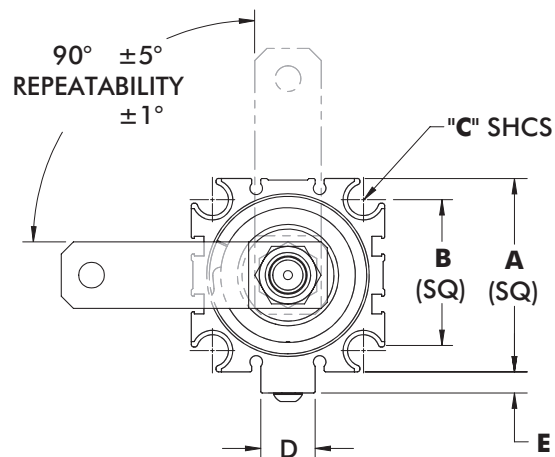
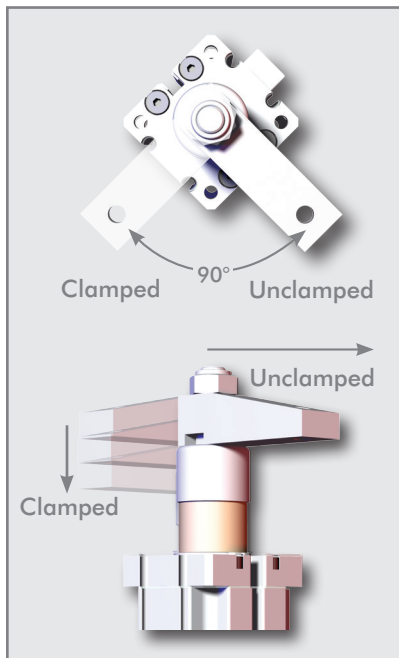
† with standard clamping arm at 5bar [72psi]. ‡ Per double stroke at 5bar [72psi]

Operating Pressure Range: 3bar [40psig] to 8bar [120psig]

Maximum Operating Temperature: 60°C [140°F]

9500 SERIES

Pneumatic Swing Clamps | Dimensions



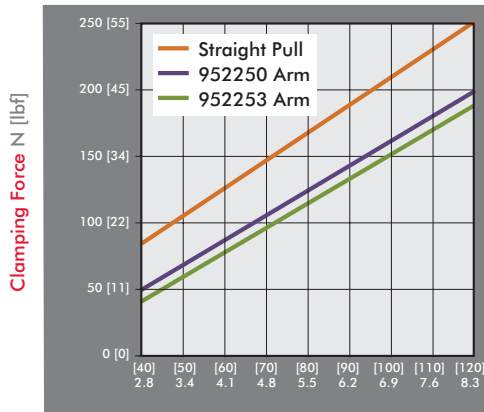
Shown with optional clamping arm.

Model	A	B	C	D	E	F	G	H	J	K	L	M	N
9522-2	[1.42] 36	[1.00] 25,4	M5 (#10)	--	--	[0.82] 21	[3.77] 95,8	[4.79] 121,8	[5.22] 132,7	[0.50] 13	[0.43] 11	[2.90] 73,8	M5
9530-2	[1.81] 46	[1.34] 34	M6 (1/4")	[0.55] 14	[0.16] 4	[0.96] 24,4	[4.48] 113,7	[6.09] 154,8	[6.54] 166	[0.79] 20	[0.61] 15,5	[3.39] 86,2	1/8NPT
9530-2G													
9540-2	[2.05] 52	[1.57] 40			[0.20] 5	[1.13] 28,7	[4.63] 117,6	[6.29] 159,7	[6.73] 170,9		[0.65] 16,5	[3.43] 87,1	1/8NPT
9540-2G													G-1/8
9550-2	[2.52] 64	[1.97] 50	M8 (5/16")	[0.71] 18	[0.28] 7	[1.32] 33,5	[5.58] 141,8	[7.20] 182,9	[7.85] 199,3		[0.73] 18,5	[4.22] 107,3	1/8NPT
9550-2G													G-1/8

9500 SERIES

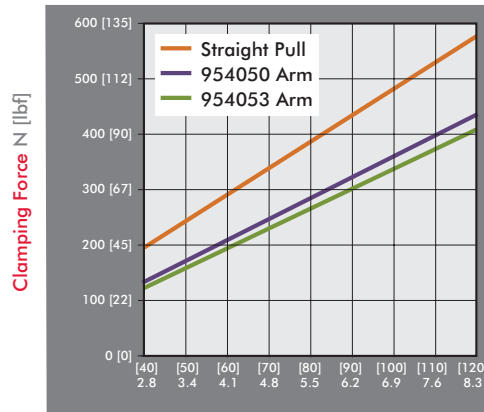
Pneumatic Swing Clamps | Clamping Forces

Series 9522 Clamping Force



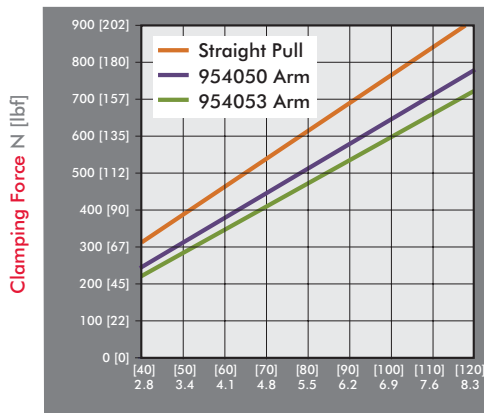
Inlet Pressure bar [PSI]

Series 9530 Clamping Force



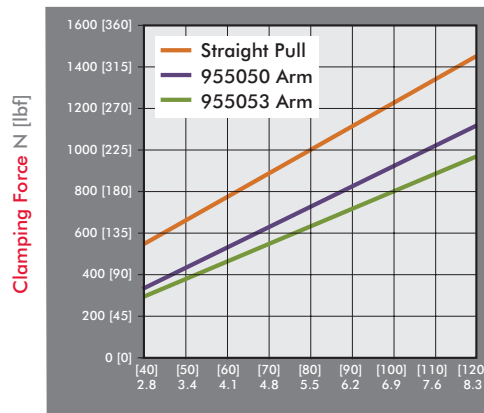
Inlet Pressure bar [PSI]

Series 9540 Clamping Force



Inlet Pressure bar [PSI]

Series 9550 Clamping Force



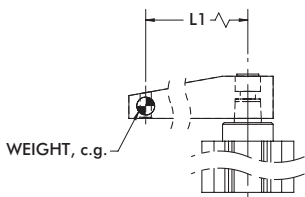
Inlet Pressure bar [PSI]

Guidelines

DE-STA-CO Pneumatic Swing Clamps are designed for long life when using standard clamping arms and spindles. In the event that a longer arm or additional weight is needed, please consult these charts for the allowable weight and length.

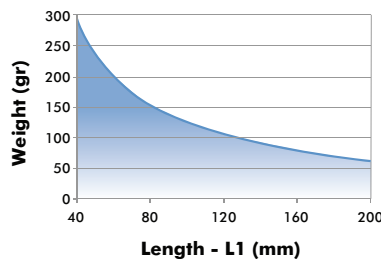
Example: 9522-2

At a weight of 80 gr, the maximum length of the arm is approximately 120mm.

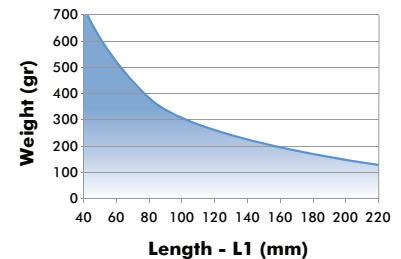


All data refers to an operating pressure of 5 bar (72psi) and an opening and closing time of 1 second.

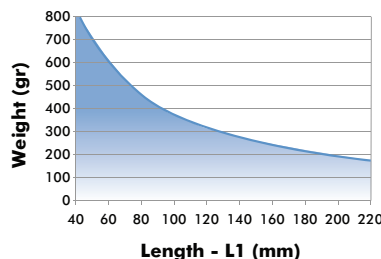
9522-2 Clamp Arm Weight



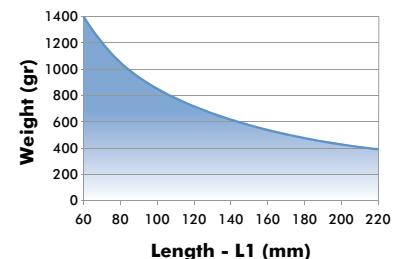
9530-2 Clamp Arm Weight



9540-2 Clamp Arm Weight

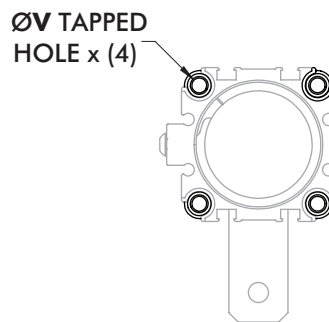
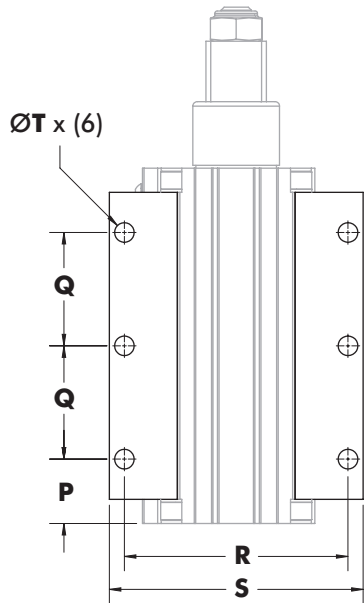
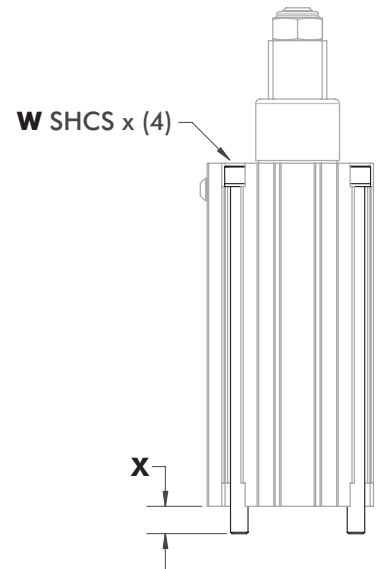
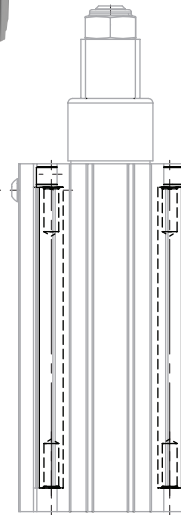
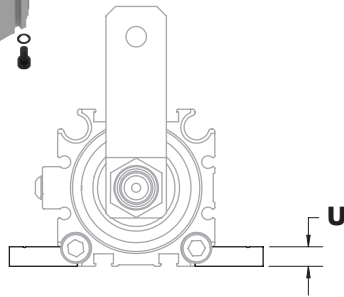
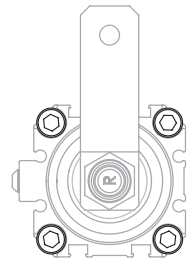
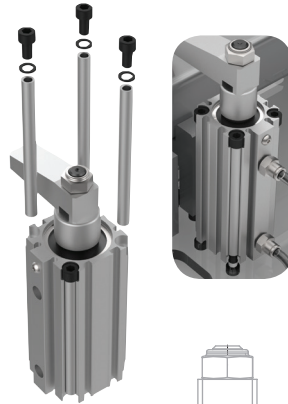
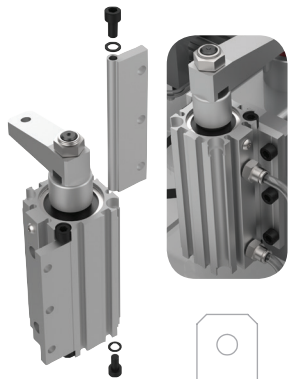
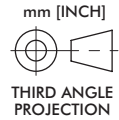


9550-2 Clamp Arm Weight



9500 SERIES

Pneumatic Swing Clamps | Mounting Accessories



Side Flange Mounting

Tapped Hole Mount

Standard Mount

Model	P	Q	R	S	T	U	V	W	X	Side Flange Kit	Tapped Hole Kit	Standard Mount Kit
9522-2	[0.41] 10,4		[1.91] 48,5	[2.26] 57,5	[0.22] 5,5	[0.22] 5,5	M5	M5x100	[0.36] 9.2	952260	952261	952262
9530-2	[0.76] 19,4	[1.48] 37,5	[2.68] 68	[3.07] 78			M6	M6x120	[0.52] 13.3	953060	953061	953062
9530-2G					[0.26] 6,5	[0.26] 6,5						
9540-2	[0.84] 21,3		[2.91] 74	[3.31] 84			M6	M6x120	[0.37] 9.4	954060	954061	
9550-2	[0.82] 20,9	[1.97] 50	[3.66] 93	[4.17] 106	[0.33] 8,5	[0.31] 8	M8	M8x150	[0.59] 15	955060	955061	955062
9550-2G												

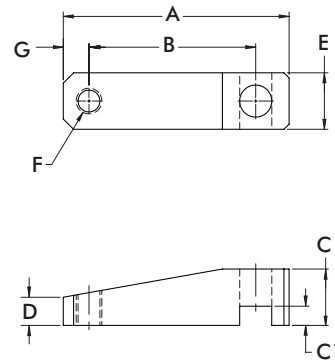
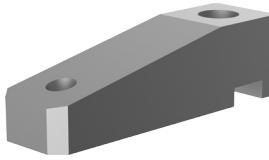
Refer to NPN-9500-2 for mounting instructions

9500 SERIES

Pneumatic Swing Clamps | Clamping Arms

Features:

- Lightweight aluminum construction
- Designed for use with 9500-2 series clamps



Part Number	Used with Model/series	A	B	C	C1	D	E	F	G	Weight [lbs] kg
9522150	9522-2R	[2.28] 58	[1.77] 45	[0.59]	[0.16]	[0.30]	[0.59]	M6	[0.20]	[0.06] 0,025
9522153	9522-2L	[3.07] 78	[2.56] 65	15	4	7.50	15		5	[0.08] 0,034
9540150	9530-2R/9530-2L	[2.76] 70	[1.97] 50	[0.79]	[0.18]	[0.39]	[0.79]	M8		[0.12] 0,054
9540153	9540-2R/9540-2L 95402-GR/9540-2GL	[3.94] 100	[3.15] 80	20	4.57	10	20		[0.39] 10	[0.17] 0,079
9550150	9550-2R/9550-2L	[3.46] 88	[2.56] 65	[0.87]	[0.30]	[0.43]	[0.87]	M10		[0.18] 0,081
9550153	9550-2GR/9550-2GL	[4.45] 113	[3.54] 90	22	7.5	11	22			[0.23] 0,11

89R SERIES

Pneumatic Swing Clamps | Product Overview

Features:

- Swing direction is field adjustable between left, right, or straight. (20mm not linear adjustable)
- Switch ready for Ø4mm or 6.5mmX5mm sensors
- Lightweight and robust, designed for several million cycles
- Clamp arm sold separately

Applications:

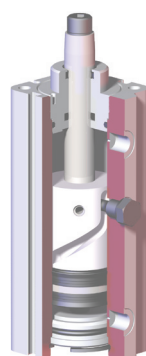
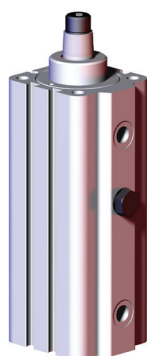
- Assembly
- Welding
- Light machining

Also Available:

See page 11-13 for clamping arms and mounting accessories

See page 40 for sensing options

89R



Technical Information

Model	Swing Direction*	Total Stroke [in]mm	Stroke During Rotation [in]mm	Vertical Clamp Stroke [in]mm	Clamping Force† [lbf]N	Bore Size [in]mm	Air Consumption‡ [ft³]dm³	Weight [lb.]kg	Replacement Seal Kit
89R20-010-2	LH, RH	[0.83] 21	[0.43] 11		[18] 80	[0.79] 20	[0.002] 0,07	[0.66] 0,30	89R20-00
89R32-010-2		[1.10] 28	[0.61] 18	[0.39] 10	[55] 245	[1.26] 32	[0.009] 0,25	[1.32] 0,60	89R32-00
89R40-010-2		[1.24] 31,5	[0.85] 21,5		[85] 380	[1.57] 40	[0.015] 0,43	[2.09] 0,95	89R40-00
89R40-025-2	LH, RH, STRT	[1.83] 46,5					[0.022] 0,63	[2.43] 1,10	
89R50-025-2		[2.05] 52	[1.06] 27	[0.98] 25	[138] 614	[1.97] 50	[0.040] 1,13	[3.97] 1,80	89R50-00
89R63-025-2		[2.30] 58,5	[1.32] 33,5		[218] 970	[2.48] 63	[0.072] 2,04	[6.17] 2,80	89R63-00

*Swing direction is field adjustable. †with standard clamping arm 5bar[72psi]. ‡per double stroke at 5bar[72psi]

Operating Pressure Range: 3bar[40psig] to 8bar[120psig]

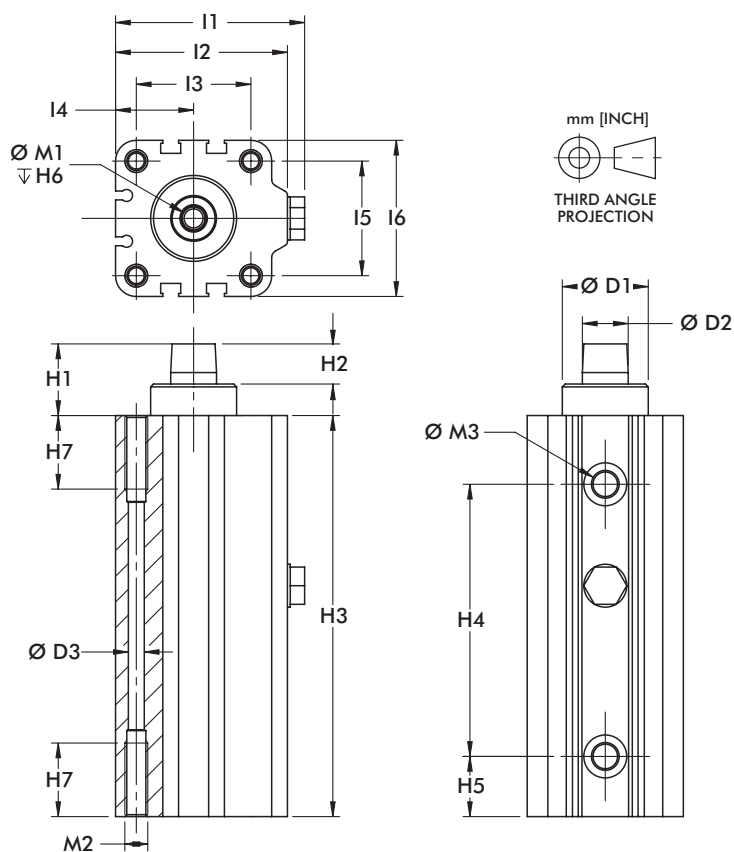
Maximum Operating Temperature: 60°C [140°F]

Note:

Switches are optional. To order with (2) 8EA-109-1 switches, add **A** to the end of the model. Ex. 89R32-010-2**A**

89R SERIES

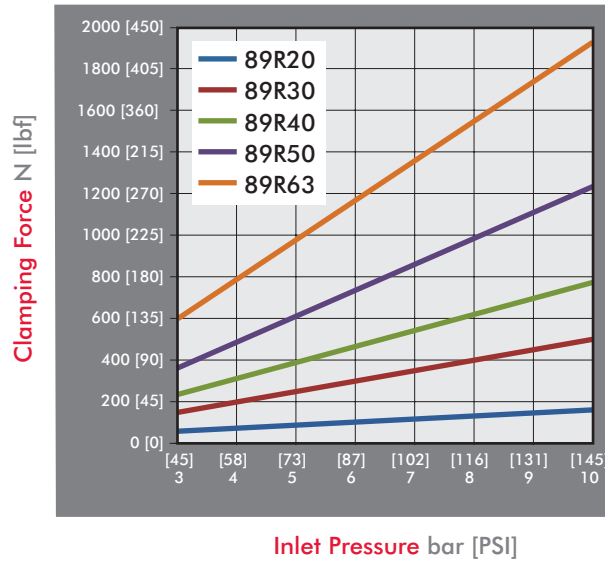
Pneumatic Swing Clamps | Dimensions



Model	ØD1 H9	ØD2 F7	ØD3	H1	H2	H3	H4	H5	H6	H7	L1	L2
89R20-010-2	[0.71] 18	[0.39] 10	[0.18] 4,6	[0.78] 19,8	[0.47] 11,9	[4.15] 105,5	[2.60] 66	[0.52] 13,2	[0.59] 15	[0.55] 14	[1.56] 39,5	[1.38] 35
89R32-010-2	[0.87] 22	[0.47] 12		[0.93] 23,7		[4.92] 125	[3.27] 83	[0.69] 17,5		[0.63] 16	[2.36] 60	[2.13] 54
89R40-010-2	[1.18] 30	[0.63] 16	[0.22] 5,5	[0.98] 25	[0.43] 11	[5.51] 140	[3.74] 95	[0.83] 21	[0.67] 17		[2.60] 66	[2.36] 60
89R40-025-2						[6.69] 170	[4.92] 125			[0.98] 25		
89R50-025-2	[1.57] 40	[0.71] 18	[0.29] 7,4	[1.24] 31,4		[7.70] 195,5	[5.39] 137	[1.05] 26,7	[0.98] 25		[3.09] 78,5	[2.85] 72,5
89R63-025-2	[1.77] 45	[0.78] 20	[0.37] 9,3	[1.30] 33	[0.59] 15	[8.33] 211,5	[6.08] 154,5	[1.04] 26,5			[3.74] 95	[3.46] 88

Model	L3	L4	L5	L6	M1	M2	M3
89R20-010-2	[0.87] 22	[0.63] 16	[0.87] 22	[1.26] 32	M5	M6	M5
89R32-010-2	[1.42] 36	[0.94] 24	[1.26] 32	[1.77] 45	M6		
89R40-010-2	[1.57] 40	[1.07] 27,3	[1.57] 40	[2.15] 54,5	M8	M8	G-1/8
89R40-025-2							
89R50-025-2	[1.97] 50	[1.28] 32,5	[1.97] 50	[2.56] 65	M10	M10	
89R63-025-2	[2.44] 62	[1.57] 40	[2.44] 62	[3.15] 80		M12	G-1/4

Series 89R Clamping Force
(w/ standard clamping arm)

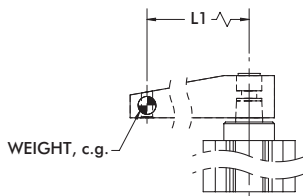


Guidelines

DE-STA-CO Pneumatic Swing Clamps are designed for long life when using standard Clamping arms and spindles. In the event that a longer arm or additional weight is needed, please consult these charts for the allowable weight and length.

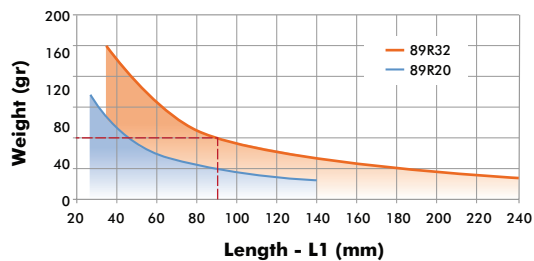
Example: 89R32

At a weight of 80 gr, the maximum length of the arm is approximately 90mm.

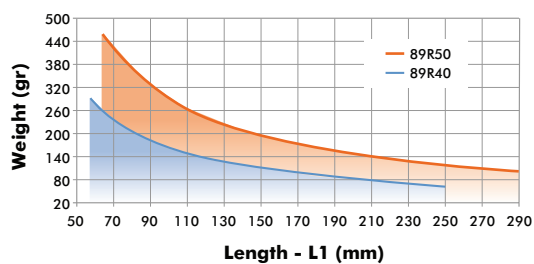


All data refers to an operating pressure of 5 bar (72psi) and an opening and closing time of 1 second.

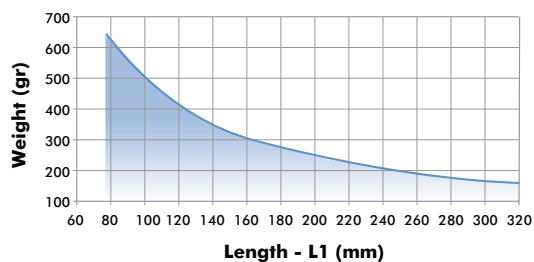
89R20 & 89R32 Clamp Arm Weight



89R40 & 89R50 Clamp Arm Weight



89R63 Clamp Arm Weight

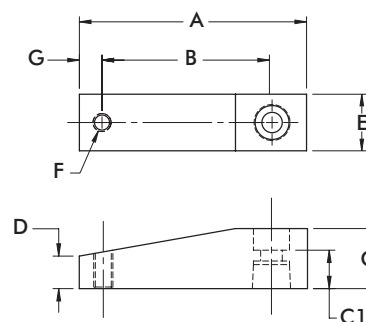
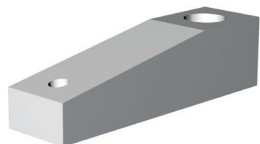


89R SERIES

Pneumatic Swing Clamps | Clamping Arms

Features:

- Lightweight aluminum construction
- Locking tapered connection for 360 deg. arm positioning

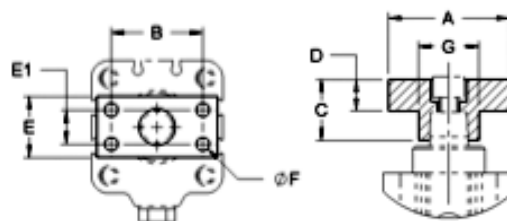
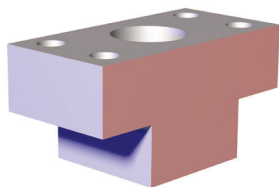


Part Number	Used with Model/series	A	B	C	C1	D	E	F	G	Weight [lbs] kg
8JG-215-1	89R20-010-2	[2.64] 67	[2.05] 52	[0.59] 15	[0.33] 8.5	[0.24] 6	[0.59] 15	M6	[0.28] 7	[0.08] 0.04
8JG-217-1	89R32-010-2	[3.15] 80	[2.36] 60	[0.79] 20	[0.37] 9.5	[0.33] 8.5	[0.79] 20	M8	[0.39] 10	[0.14] 0.06
8JG-218-1	89R40-010-2 89R40-025-2	[3.74] 95	[2.76] 70	[0.98] 25	[0.45] 11.5	[0.55] 14	[0.98] 25	M8	[0.39] 10	[0.28] 0.13
8JG-219-1	89R50-025-2	[4.17] 106	[3.15] 80	[1.18] 30	[0.59] 15	[0.67] 17	[1.18] 30	M8	[0.39] 10	[0.42] 0.19
8JG-220-1	89R63-025-2	[4.72] 120	[3.54] 90	[1.38] 35	[0.67] 17	[0.79] 20	[1.38] 35	M10	[0.47] 12	[0.66] 0.30

Clamping Arm Adapters

Features:

- For attaching custom made clamp arms
- 360° rotatable arm
- Aluminum construction



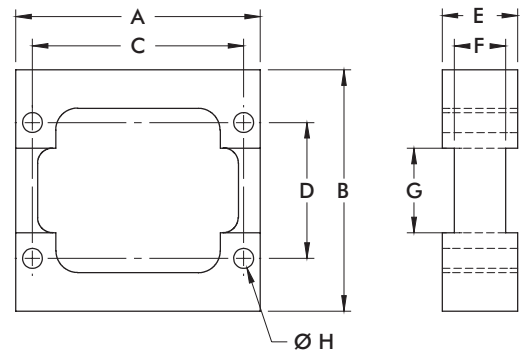
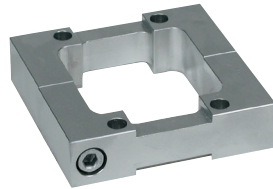
Part Number	Used with Model/series	A	B	C	D	E	E1	F	Weight [lbs] kg
8MA-084-1	89R20-010-2	[1.57] 40	[1.10] 28	[0.59] 15	[0.32] 8	[0.59] 15	--	[0.22]	[0.03] 0,014
8MA-086-1	89R32-010-2	[1.97] 50	[1.38] 35	[0.79] 20	[0.43] 11	[0.79] 20	--	5,5 (2x)	[0.08] 0,035
8MA-087-1	89R40-010-2 89R40-025-2	[1.97] 50	[1.50] 38	[0.98] 25	[0.51] 13	[0.98] 25	[0.55] 14	[0.22] 5,5 (4x)	[0.11] 0,050
8MA-088-1	89R50-025-2	[2.36] 60	[1.77] 45	[1.18] 30	[0.59] 15	[1.18] 30	[0.59] 15	[0.28] 7 (4x)	[0.19] 0,085
8MA-089-1	89R63-025-2	[2.56] 65	[1.89] 48	[1.38] 35	[0.67] 17	[1.38] 35	[0.71] 18	[0.35] 9 (4x)	[0.28] 0,125

89R SERIES

Pneumatic Swing Clamps | Body Mount Flanges

Features:

- For recessed mounting
- Variable height adjustment
- Can be used with switches
- For use with the **89R** Series Pneumatic Swing Clamps

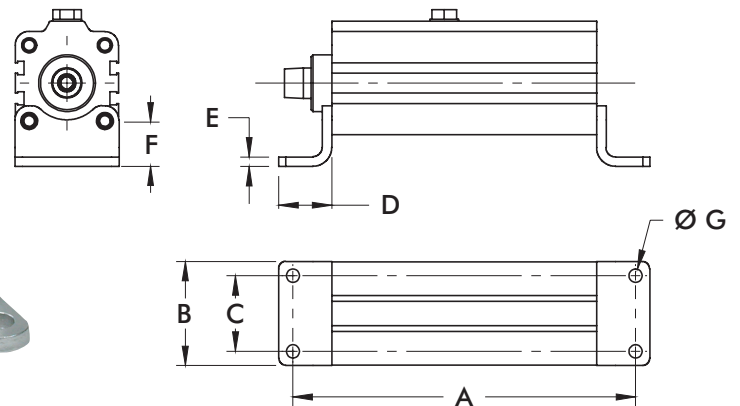


Part Number	Used with Model/series	A	B	C	D	E	F	G	H	Weight [lbs] kg
8MA-092-1	89R20-010-2	[2.24] 57	[2.17] 55	[1.85] 47	[0.94] 24	[0.59] 15	--	--	[0.28] 5,5	[0.22] 0,10
8MA-094-1	89R32-010-2		[2.95] 75		[1.57] 40	[0.79] 20	[0.47] 12	[0.98] 25		[0.44] 0,20
8MA-095-1	89R40-010-2	[3.19] 81	[3.15] 80	[2.55] 70	[1.77] 45	[0.98] 25	[0.67] 17	[1.10] 28	[0.26] 6,6	[0.55] 0,25
	89R40-025-2									
8MA-096-1	89R50-025-2	[4.00] 101,5	[3.94] 100	[3.37] 85,5	[1.97] 50			[1.46] 37	[0.35] 9	[0.88] 0,40

Mounting Feet

Features:

- Can be mounted on bottom side or front side
- Can be mounted on 4 sides of the cylinder
- For use with **89R** Series Pneumatic Swing Clamps



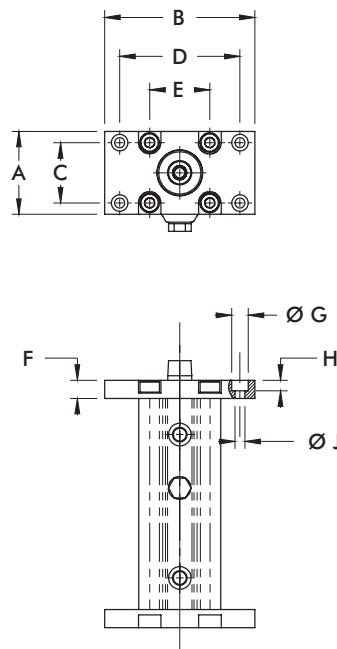
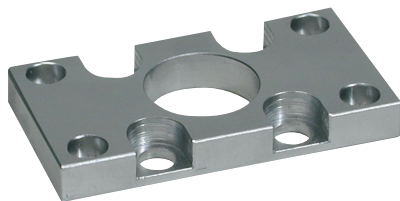
Part Number	Used with Model/series	A	B	C	D	E	F	G	Weight [lbs] kg
8MW-018-1	89R20-010-2	[5.41] 137,5	[1.38] 35	[0.87] 22	[0.87] 22	[0.16] 4	[0.63] 16		[0.08] 0,04
8MW-020-1	89R32-010-2	[6.54] 166	[1.97] 50	[1.38] 35			[0.71] 18	[0.28] 7	[0.15] 0,07
8MW-021-1	89R40-010-2	[7.13] 181	[2.17] 55	[1.57] 40	[1.10] 28	[0.20] 5			
	89R40-025-2	[8.31] 211					[0.94] 24		
8MW-022-1	89R50-025-2	[9.39] 238,5	[2.64] 67	[1.97] 50	[1.26] 32	[0.24]		[0.35] 9	[0.33] 0,15
8MW-023-1	89R63-025-2	[10.37] 263,5	[3.35] 85	[2.44] 62	[1.57] 40	6	[1.06] 27	[0.43] 11	[0.52] 0,24

89R SERIES

Pneumatic Swing Clamps | End Mount Flanges

Features:

- Can be mounted on bottom side or top side
- For use with **89R** Pneumatic Swing Clamps



Part Number	Used with Model/series	A	B	C [±0.008] ±0,2	D [±0.008] ±0,2	E	F	G	H	J	Weight [lbs]kg
8MA-061-1	89R20-010-2	[1.26] 32	[2.56] 65	[0.71] 18	[1.97] 50	[0.87] 22	[0.39] 10				[0.07] 0,03
8MA-063-1	89R32-010-2	[1.97] 50	[3.15] 80	[1.26] 32	[2.52] 64	[1.26] 32	[0.47] 12	[0.43] 11	[0.28] 7	[0.26] 6,6	[0.20] 0,09
8MA-064-1	89R40-010-2	[2.17] 55	[3.94] 100	[1.57] 40	[3.15] 80	[1.57] 40					[0.29] 0,13
	89R40-025-2										
8MA-065-1	89R50-025-2	[2.56] 65	[4.72] 120	[1.77] 45	[3.94] 100	[1.97] 50	[0.59] 15	[0.59] 15	[0.35] 9	[0.33] 8,5	[0.46] 0,21
8MA-066-1	89R63-025-2	[3.15] 80	[5.12] 130	[2.36] 60	[4.33] 110	[2.44] 62				[0.35] 8,8	[0.66] 0,30

89B SERIES

Pneumatic Swing Clamps | Product Overview

Features:

- Lightweight and robust, designed for several millions cycles
- Can be mounted from the side or the top
- Sensor ready for T-slot style sensors
- Metric design
- Clamp arm sold separately

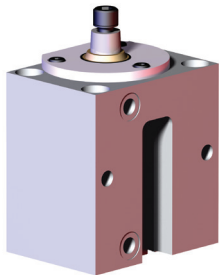
Applications:

- Assembly
- Welding
- Light machining

Also Available:

See page 17 for clamping arms
See page 40 for sensing options

Series 89B



Technical Information

Model	Swing Direction	Total Stroke [in]mm S	Stroke During Rotation [in]mm S1	Vertical Clamp Stroke [in]mm S2	Clamping Force [lbf.] N†	Bore Size mm[in]	Air Consumption‡ [ft³]dm³	Weight [lb.]kg	Replacement Seal Kit
89B20-010-1R	RH	[0.79]	[0.39]		[18]	[0.79]	[0.002]	[1.70]	8940-3-00
89B20-010-1L	LH	20	10		80	20	0,06	0,77	
89B30-010-1R	RH	[0.83]	[0.43]	[0.39]	[52]	[1.18]	[0.006]	[2.43]	8945-3-00
89B30-010-1L	LH	21	11	10	231	30	0,16	1,10	
89B40-010-1R	RH	[0.94]	[0.55]		[85]	[1.57]	[0.012]	[3.26]	8950-3-00
89B40-010-1L	LH	24	14		378	40	0,33	1,48	
89B50-025-1R	RH	[1.57]	[0.59]	[0.98]	[161]	[1.97]	[0.031]	[5.73]	8952-3-00
89B50-025-1L	LH	40	15	25	716	50	0,087	2,6	
89B63-008-1R	RH	[1.02]	[0.71]	[0.32]	[247]	[2.48]	[0.032]	[6.24]	8955-3-00
89B63-008-1L	LH	26	18	8	1100	63	0,091	2,83	

† with standard clamping arm at 5bar[72psi]. ‡ per double stroke at 5bar[72psi]

Operating Pressure Range: 3bar [30psig] to 10bar [145psig] (89B20 8bar [116psig] max.)

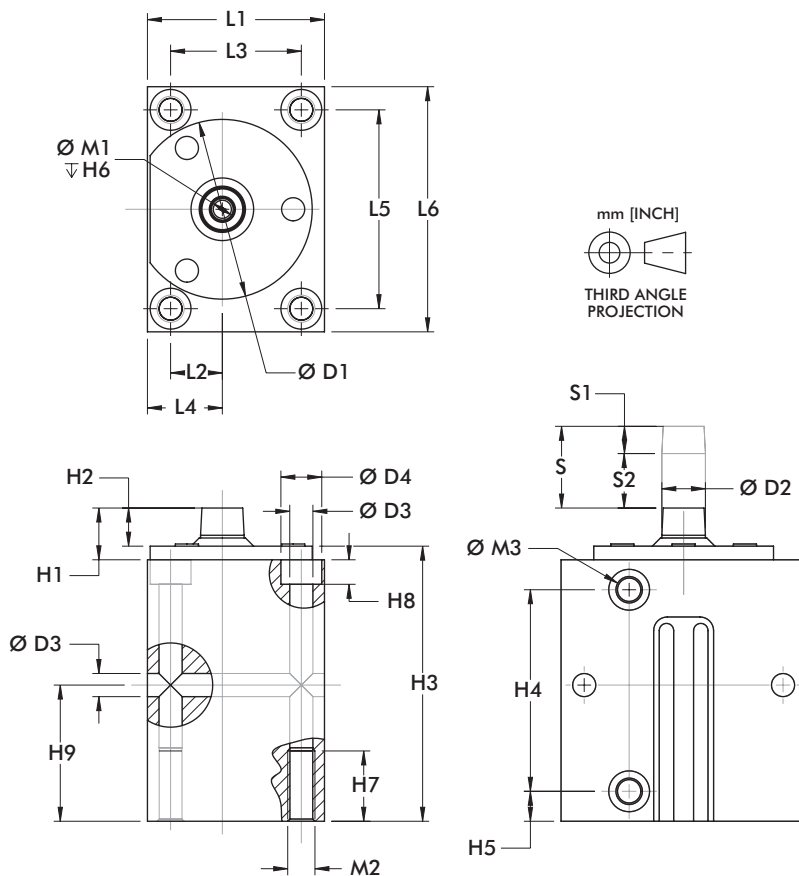
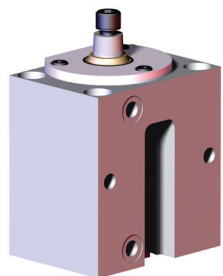
Maximum Operating Temperature: 80°C[176°F]

Note:

Switches are optional. To order clamp with (2) 8EA-109-1 switches, add **A** to the end of the model. EX. 89B30-010-1**RA**. See page MC-SCA-1 for additional switch options.

89B SERIES

Pneumatic Swing Clamps | Dimensions



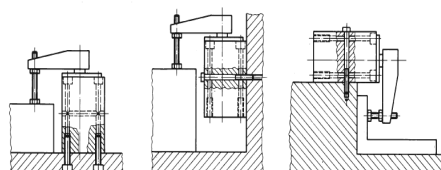
mm [INCH]



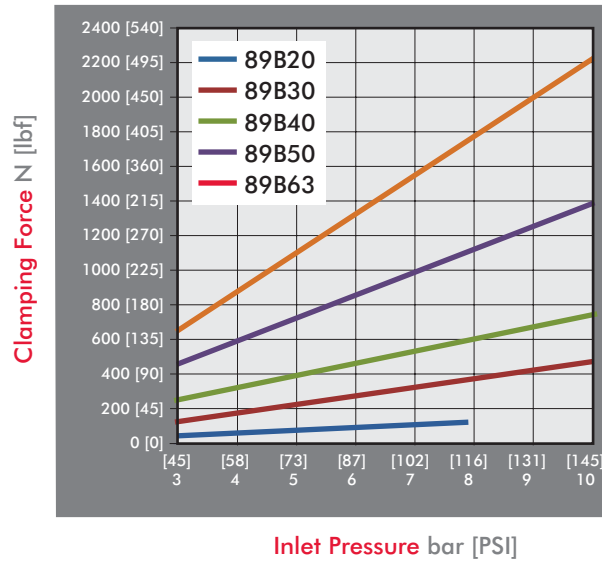
Model	ØD1	ØD2	ØD3	D4	H1	H2	H3	H4	H5	H6	H7	H9	L1	L2
89B20	[1.89] 48	[0.39] 10	[0.26] 6,6	[0.43] 11	[0.69] 17,5	[0.37] 9,5	[3.46] 88	[2.31] 58,7	[0.35] 9	[0.59] 15	[0.79] 20	[1.57] 40	[1.77] 45	[0.45] 11,5
89B30	[2.52] 64	[0.47] 12	[0.33]	[0.59]	[0.63] 16	[0.43] 11	[3.70] 94	[2.72] 69,2	[0.39] 10	[0.67] 17	[0.98]	[1.77] 45	[2.17] 55	[0.55] 14
89B40	[2.59] 66	[0.63] 16	8,5	15	[0.75] 19	[0.55] 14	[3.98] 101	[2.91] 74			25	[1.97] 50	[2.56] 65	[0.75] 19
89B50	[3.07] 78	[0.71] 18	[0.41]	[0.71]	[0.98] 25	[0.67] 17	[5.51] 140	[4.29] 109	[0.43] 11	[0.98] 25	[1.18]	[2.76] 70	[2.95] 75	[0.94] 24
89B63	[4.13] 105	[0.79] 20	10,5	18	[1.06] 27	[0.75] 19	[4.53] 115	[3.35] 85		[0.79] 20	30	[2.16] 55	[3.54] 90	[1.18] 30

Model	L3	L4	L5	L6	M1	M2	M3
89B20	[1.18] 30	[0.75] 19	[2.36] 60	[2.95] 75	M5	M8	M5
89B30	[1.50] 38	[0.89] 22,5	[2.68] 68	[3.35] 85	M6	M10	G-1/8
89B40	[1.89] 48	[1.08] 27,5	[2.87] 73	[3.54] 90	M8		
89B50	[2.17] 55	[1.34] 34	[3.54] 90	[4.33] 110		M12	G-1/4
89B63	[2.76] 70	[1.57] 40	[3.94] 100	[4.72] 120	M10		

Mounting Options



Series 89B Clamping Force
(w/ standard clamping arm)

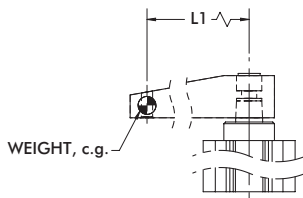


Guidelines

DE-STA-CO Pneumatic Swing Clamps are designed for long life when using standard clamping arms and spindles. In the event that a longer arm or additional weight is needed, please consult these charts for the allowable weight and length.

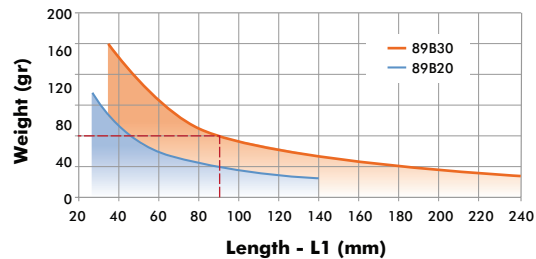
Example: 89B30

At a weight of 80 gr, the maximum length of the arm is approximately 90mm.

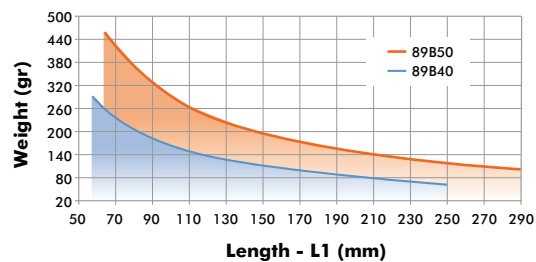


All data refers to an operating pressure of 5 bar (72psi) and an opening and closing time of 1 second.

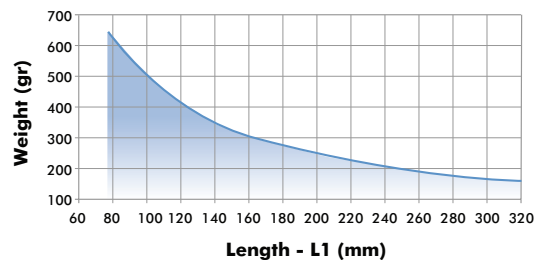
89B20 & 89B30 Clamp Arm Weight



89B40 & 89B50 Clamp Arm Weight



89B63 Clamp Arm Weight

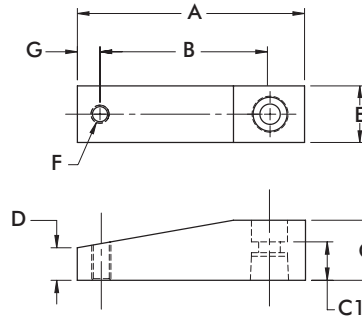
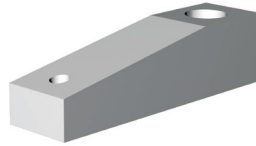


89B SERIES

Pneumatic Swing Clamps | Clamping Arms

Features:

- Lightweight aluminum construction
- Locking tapered connection for 360 deg. arm positioning

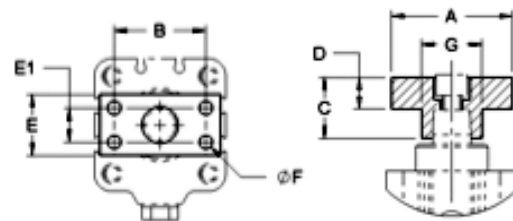
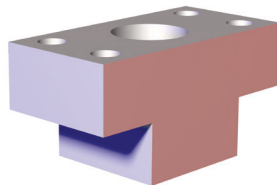


Part Number	Used with Model/series	A	B	C	C1	D	E	F	G	Weight [lbs] kg
8JG-215-1	89B20-010-1	[2.64] 67	[2.05] 52	[0.59] 15	[0.33] 8.5	[0.24] 6	[0.59] 15	M6	[0.28] 7	[0.08] 0.04
8JG-217-1	89B30-010-1	[3.15] 80	[2.36] 60	[0.79] 20	[0.37] 9.5	[0.33] 8.5	[0.79] 20	M8	[0.39] 10	[0.14] 0.06
8JG-218-1	89B40-010-1	[3.74] 95	[2.76] 70	[0.98] 25	[0.45] 11.5	[0.55] 14	[0.98] 25	M8	[0.39] 10	[0.28] 0.13
8JG-219-1	89B50-025-1	[4.17] 106	[3.15] 80	[1.18] 30	[0.59] 15	[0.67] 17	[1.18] 30	M8	[0.39] 10	[0.42] 0.19
8JG-220-1	89B63-008-1	[4.72] 120	[3.54] 90	[1.38] 35	[0.67] 17	[0.79] 20	[1.38] 35	M10	[0.47] 12	[0.66] 0.30

Clamping Arm Adapters

Features:

- For attaching custom made clamp arms
- 360° rotatable arm
- Aluminum construction



Part Number	Used with Model/series	A	B	C	D	E	E1	F	Weight [lbs] kg
8MA-084-1	89B20-010-1	[1.57] 40	[1.10] 28	[0.59] 15	[0.32] 8	[0.59] 15	--	[0.22]	[0.03] 0,014
8MA-086-1	89B30-010-1	[1.97] 50	[1.38] 35	[0.79] 20	[0.43] 11	[0.79] 20	--	5,5 (2x)	[0.08] 0,035
8MA-087-1	89B40-010-1	[1.97] 50	[1.50] 38	[0.98] 25	[0.51] 13	[0.98] 25	[0.55] 14	[0.22] 5,5 (4x)	[0.11] 0,050
8MA-088-1	89B50-025-1	[2.36] 60	[1.77] 45	[1.18] 30	[0.59] 15	[1.18] 30	[0.59] 15	[0.28] 7 (4x)	[0.19] 0,085
8MA-089-1	89B63-008-1	[2.56] 65	[1.89] 48	[1.38] 35	[0.67] 17	[1.38] 35	[0.71] 18	[0.35] 9 (4x)	[0.28] 0,125

8100, 8300 SERIES

Pneumatic Swing Clamps | Product Overview

Features:

- Lightweight and robust, designed for several millions cycles
- Block style body may be mounted from the side or the top.
- Sensor ready for use with round style sensors
- Clamp arm and spindle included

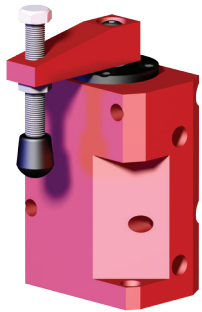
Applications:

- Assembly
- Welding
- Light machining

Also Available:

- See page 22 for clamping arms
- See page 40 for sensing options

Series 8100, 8300



Sensor ready.

Supplied with clamping arm and spindle.

To order without clamping arm add **-LA** to the end of the model. Ex. 8115-**LA**

Technical Information

Model	Swing Direction	Total Stroke [in]mm	Stroke During Rotation [in]mm	Vertical Clamp Stroke [in]mm	Clamping Force [lbf.] N†	Bore Size mm[in]	Air Consumption‡ [ft³]dm³	Weight [lb.]kg	Replacement Seal Kit
8115	RH	[0.85]	[0.47]	[0.38]	[25]	[18]	[0.002]	[0.68]	801560
8116	LH	21,5	11,8	9,7	110	80	0,06	0,31	
8315	RH	[1.25]	[0.75]	[0.50]	[89]	[67]	[0.014]	[2.00]	821560
8316	LH	31,8	19,1	12,7	400	298	0,40	0,91	

† with standard clamping arm at 5bar[72psi]. ‡ per double stroke at 5bar[72psi]

Operating Pressure Range: 3bar [30psig] to 9bar [130psig]

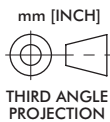
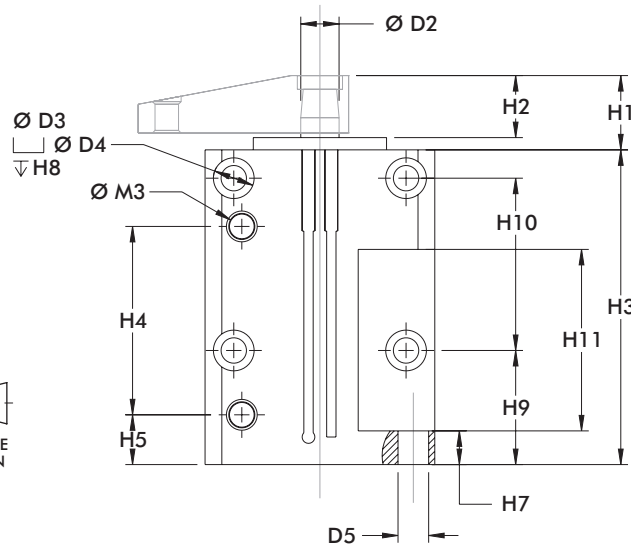
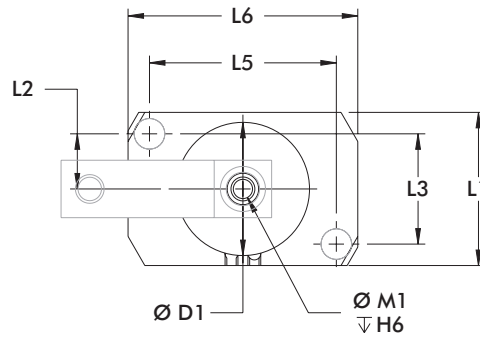
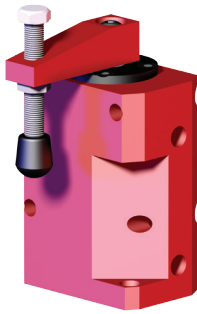
Maximum Operating Temperature: -18°C to 60°C [0°F to 140°F]

Note:

To order with out clamping arm, add **-LA** to the end of the model number. EX. 8115-**LA**.

8100, 8300 SERIES

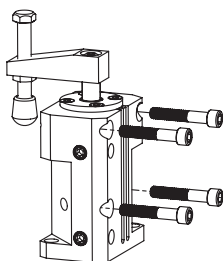
Pneumatic Swing Clamps | Dimensions



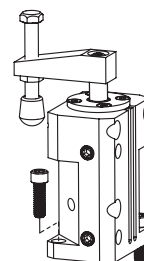
Model	ØD1	ØD2	ØD3	ØD4	ØD5	H1	H2	H3	H4	H5	H6	H7
8115	[1.23]	[0.44]	[0.20]	--	--	[0.53]	[0.41]	[3.37]	[1.45]	[0.35]	[0.75]	[0.25]
8116	31,2	11,2	5,1	--	--	13,5	10,4	85,6	36,8	8,9	19,1	6,4
8315	[1.74]	[0.50]	[0.33]	[0.53]	[0.40]	[0.97]	[0.81]	[4.11]	[2.46]	[0.65]	[0.67]	[0.44]
8316	44,2	12,7	8,4	13,5	10,2	24,6	20,6	104,4	62,5	16,5	17	11,2

Model	H8	H9	H10	H11	L1	L2	L3	L5	L6	M1	M3
8115	--	[1.37]	[1.00]	[1.00]	[1.25]	[0.47]	[0.94]	[0.94]	[1.25]	¼-20	#10-32
8116	--	34,8	25,4	25,4	31,8	11,9	23,9	23,9	31,8		
8315	[1.00]	[1.49]	[2.25]	[2.37]	[2.00]	[0.72]	[1.44]	[2.44]	[3.00]	5/16/18	1/8 NPT
8316	25,4	37,9	57,2	60,2	50,8	18,3	36,6	62	76,2		

Mounting Options



Can be mounted to the side or front of the fixture, or mounted back to back for multiple clamping operations.

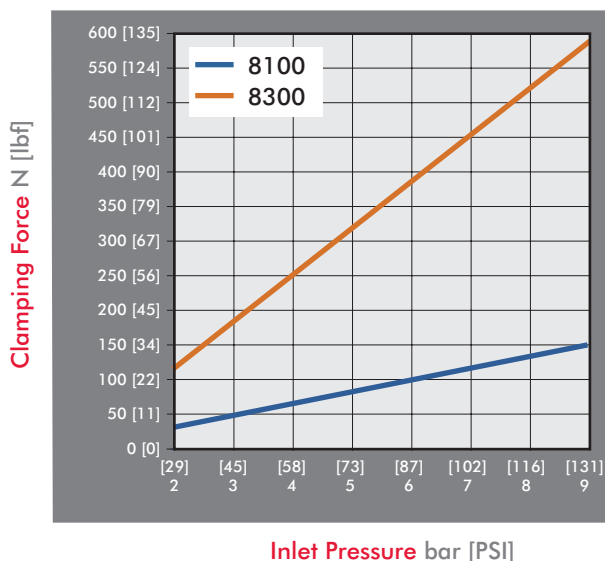


Mounted to the top of the work surface through the two mounting holes in the bottom of unit.

8100, 8300 SERIES

Pneumatic Swing Clamps | Clamping Forces

Series 8100, 8300 Clamping Force
(w/ standard clamping arm)

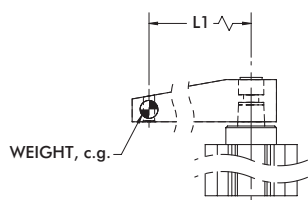


Guidelines

DE-STA-CO Pneumatic Swing Clamps are designed for long life when using standard clamping arms and spindles. In the event that a longer arm or additional weight is needed, please consult these charts for the allowable weight and length.

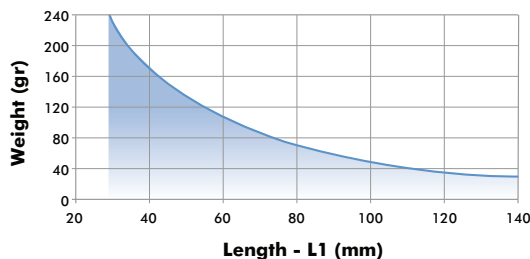
Example: 8315

At a weight of 80 gr, the maximum length of the arm is approximately 90mm.

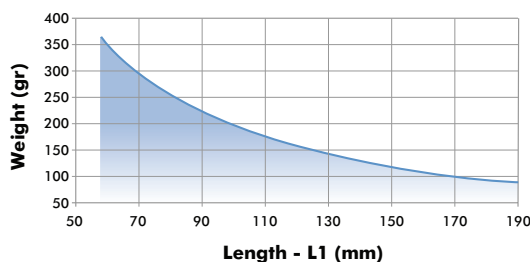


All data refers to an operating pressure of 5 bar (72psi) and an opening and closing time of 1 second.

8115/8116 Clamp Arm Weight



8315/8316 Clamp Arm Weight

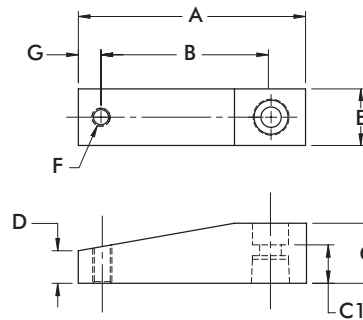
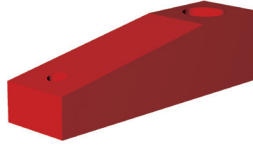


8100, 8300 SERIES

Pneumatic Swing Clamps | Clamping Arms

Features:

- Lightweight aluminum construction
- Locking tapered connection for 360 deg. arm positioning

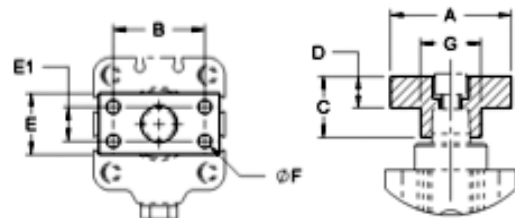
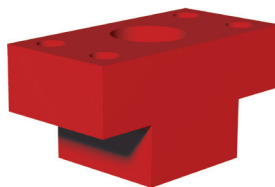


Part Number	Used with Model/series	A	B	C	C1	D	E	F	G	Weight [lbs] kg
801528	8115/8116	[1.74] 44.2	[1.11] 28.2	[0.37] 9.4	[0.33] 8.3	[0.25] 6.4	[0.62] 15.7	#10-32	[0.32] 8.1	[0.03] 0.01
801529	8115/8116	[2.87] 72.9	[2.24] 56.9	[0.37] 9.4	[0.33] 8.3	[0.25] 6.4	[0.62] 15.7	#10-32	[0.32] 8.1	[0.05] 0.02
821512	8315/8316	[2.75] 69.9	[2.00] 50.8	[0.75] 19.1	[0.57] 14.5	[0.38] 9.5	[0.75] 19.1	3/8-16	[0.38] 9.5	[0.04] 0.02
821513	8315/8316	[3.75] 95.3	[3.00] 76.2	[0.75] 19.1	[0.57] 14.5	[0.38] 9.5	[0.75] 19.1	3/8-16	[0.38] 9.5	[0.05] 0.02

Clamping Arm Adapters

Features:

- For attaching custom made clamp arms
- 360° rotatable arm
- Aluminum construction



Part Number	Used with Model/series	A	B	C	D	E	E1	F	Weight [lbs] kg
801532	8115/8116	[1.37] 34,8	[1.00] 25,4	[0.39]	[0.25]	[0.62]	--	#10-32 (2x)	[0.03] 0,014
821556	8315/8316	[1.50] 38,1	[1.06] 26,9	[0.75]	[0.37]	[0.75]	--	1/4-20 (2x)	[0.05] 0,020

89E SERIES

Pneumatic Swing Clamps | Product Overview

Features:

- Lightweight and robust, designed for several millions cycles
- Threaded body may be mounted in a tapped hole or a clearance hole with optional mounting flange
- Metric design
- Clamp arm sold separately

Applications:

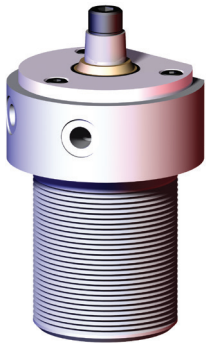
- Assembly
- Welding
- Light machining

Also Available:

See page 26 for clamping arms

See page 27 for mounting flanges

Series 89E



Technical Information

Model	Swing Direction	Total Stroke [in]mm S	Stroke During Rotation [in]mm S1	Vertical Clamp Stroke [in]mm S2	Clamping Force [lbf.] N†	Bore Size [in]mm	Air Consumption‡ [ft³]dm³	Weight [lb.]kg	Replacement Seal Kit
89E20-010-1R	RH	[0.79]	[0.39]		[18]	[0.79]	[0.002]	[0.62]	8940-3-00
89E20-010-1L	LH	20	10		80	20	0,06	0,28	
89E30-010-1R	RH	[0.83]	[0.43]	[0.39]	[52]	[1.18]	[0.006]	[0.88]	8945-3-00
89E30-010-1L	LH	21	11	10	231	30	0,16	0,40	
89E40-010-1R	RH	[0.94]	[0.55]		[85]	[1.57]	[0.012]	[1.57]	8950-3-00
89E40-010-1L	LH	24	14		378	40	0,33	0,71	
89E50-025-1R	RH	[1.57]	[0.59]	[0.98]	[161]	[1.97]	[0.031]	[2.91]	8952-3-00
89E50-025-1L	LH	40	15	25	716	50	0,087	1,32	
89E63-008-1R	RH	[1.02]	[0.71]	[0.32]	[247]	[298]	[0.032]	[4.63]	8955-3-00
89E63-008-1L	LH	26	18	8	1100	1,330	0,091	2,10	

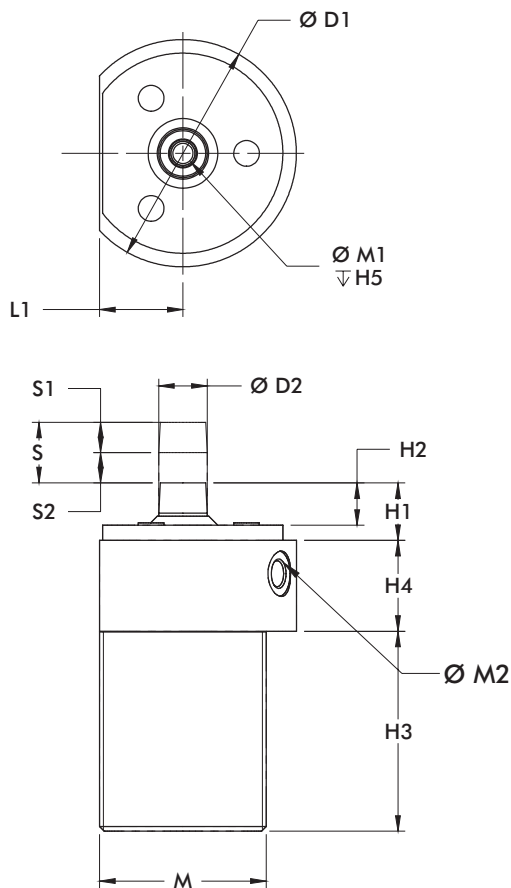
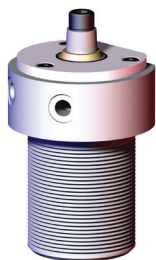
† with standard clamping arm at 5bar[72psi]. ‡ per double stroke at 5bar[72psi]

Operating Pressure Range: 3bar[40psig] to 8bar[120psig], (89E20 8bar [120psi] max.)

Maximum Operating Temperature: 80°C[176°F]

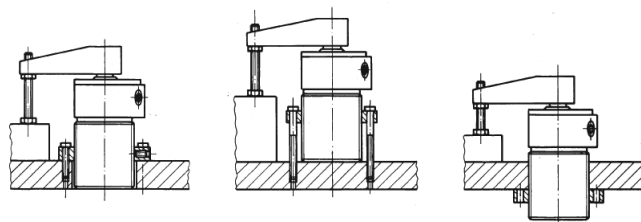
89E SERIES

Pneumatic Swing Clamps | Dimensions



Model	ØD1	ØD2	H1	H2	H3	H4	H5	L1	M	M1	M2
89E20	[1.89] 48	[0.39] 10	[0.69] 17,5	[0.37] 9,5	[2.36] 60	[1.10] 28	[0.59] 15	[0.75] 19	M36X1,5	M5	M5
89E30	[2.52] 64	[0.47] 12	[0.63] 16	[0.43] 11	[2.72] 69	[0.98] 25	[0.67] 17	[0.89] 22,5	M42X1,5	M6	G-1/8
89E40	[2.95] 75	[0.63] 16	[0.75] 19	[0.55] 14	[2.60] 66	[1.38] 35	[0.98] 25	[1.08] 27,5	M55X2	M8	
89E50	[3.54] 90	[0.71] 18	[0.98] 25	[0.67] 17	[4.09] 104	[1.50] 38	[0.98] 25	[1.36] 34,5	M68X2	M10	G-1/4
89E63	[4.13] 105	[0.79] 20	[1.06] 27	[0.75] 19	[3.03] 77	[0.79] 20	[1.57] 40	M80X2			

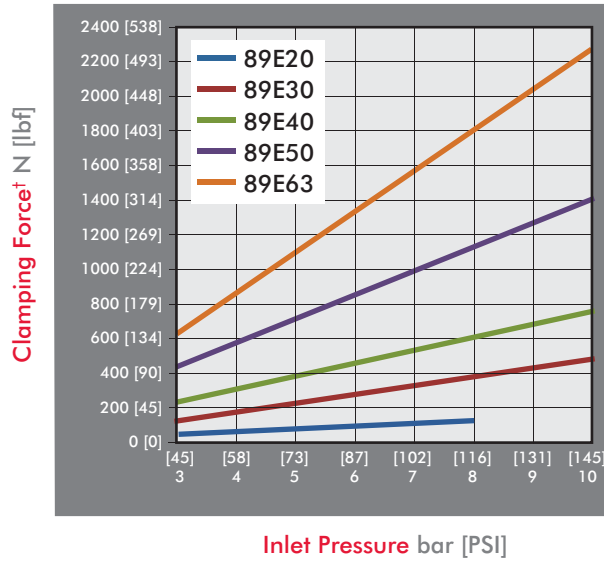
Mounting Options



89E SERIES

Pneumatic Swing Clamps | Clamping Forces

Series 89E Clamping Force
(w/ standard clamping arm)

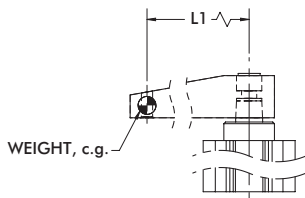


Guidelines

DE-STA-CO Pneumatic Swing Clamps are designed for long life when using standard clamping arms and spindles. In the event that a longer arm or additional weight is needed, please consult these charts for the allowable weight and length.

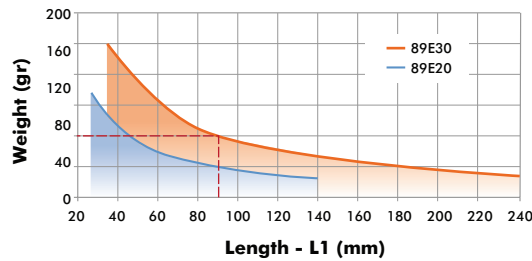
Example: 89E30

At a weight of 80 gr, the maximum length of the arm is approximately 90mm.

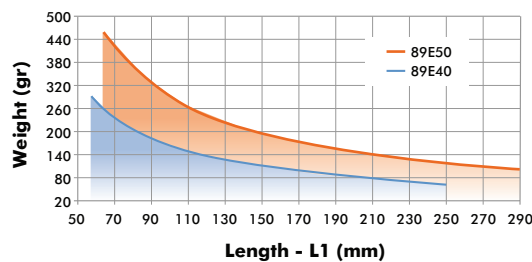


All data refers to an operating pressure of 5 bar (72psi) and an opening and closing time of 1 second.

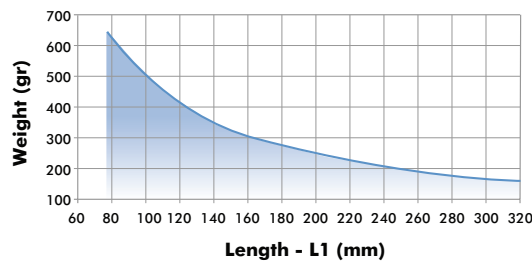
89E20 & 89E30 Clamp Arm Weight



89E40 & 89E50 Clamp Arm Weight



89E63 Clamp Arm Weight

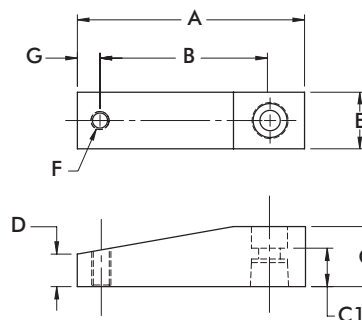
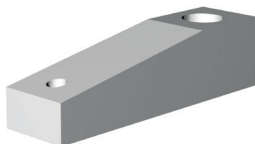


89E SERIES

Pneumatic Swing Clamps | Clamping Arms

Features:

- Lightweight aluminum construction
- Locking tapered connection for 360 deg. arm positioning

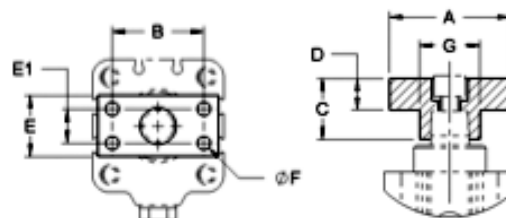
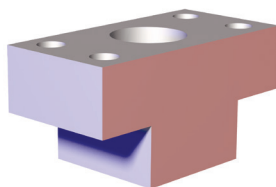


Part Number	Used with Model/series	A	B	C	C1	D	E	F	G	Weight [lbs] kg
8JG-215-1	89E20-010-1	[2.64] 67	[2.05] 52	[0.59] 15	[0.33] 8.5	[0.24] 6	[0.59] 15	M6	[0.28] 7	[0.08] 0.04
8JG-217-1	89BE30-010-1	[3.15] 80	[2.36] 60	[0.79] 20	[0.37] 9.5	[0.33] 8.5	[0.79] 20	M8	[0.39] 10	[0.14] 0.06
8JG-218-1	89E40-010-1	[3.74] 95	[2.76] 70	[0.98] 25	[0.45] 11.5	[0.55] 14	[0.98] 25	M8	[0.39] 10	[0.28] 0.13
8JG-219-1	89E50-025-1	[4.17] 106	[3.15] 80	[1.18] 30	[0.59] 15	[0.67] 17	[1.18] 30	M8	[0.39] 10	[0.42] 0.19
8JG-220-1	89E63-008-1	[4.72] 120	[3.54] 90	[1.38] 35	[0.67] 17	[0.79] 20	[1.38] 35	M10	[0.47] 12	[0.66] 0.30

Clamping Arm Adapters

Features:

- For attaching custom made clamp arms
- 360° rotatable arm
- Aluminum construction



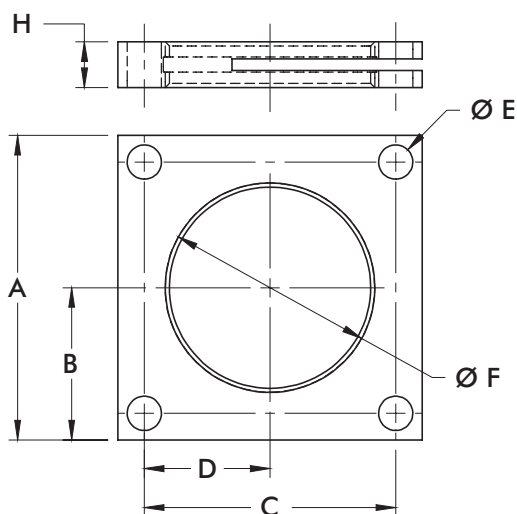
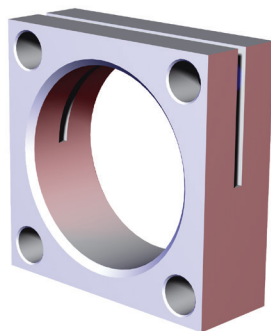
Part Number	Used with Model/series	A	B	C	D	E	E1	F	Weight [lbs] kg
8MA-084-1	89BE0-010-1	[1.57] 40	[1.10] 28	[0.59] 15	[0.32] 8	[0.59] 15	--	[0.22]	[0.03] 0,014
8MA-086-1	89E30-010-1	[1.97] 50	[1.38] 35	[0.79] 20	[0.43] 11	[0.79] 20	--	5,5 (2x)	[0.08] 0,035
8MA-087-1	89E40-010-1	[1.97] 50	[1.50] 38	[0.98] 25	[0.51] 13	[0.98] 25	[0.55] 14	[0.22] 5,5 (4x)	[0.11] 0,050
8MA-088-1	89E50-025-1	[2.36] 60	[1.77] 45	[1.18] 30	[0.59] 15	[1.18] 30	[0.59] 15	[0.28] 7 (4x)	[0.19] 0,085
8MA-089-1	89E63-008-1	[2.56] 65	[1.89] 48	[1.38] 35	[0.67] 17	[1.38] 35	[0.71] 18	[0.35] 9 (4x)	[0.28] 0,125

89E SERIES

Pneumatic Swing Clamps | Mounting Flanges

Features:

- For use with Threaded Body Pneumatic Swing Clamps
- Variable height adjustment
- For recessed mounting



Part Number	Used with Model/series	A	B	C	D	E	F	H
8MA-219-1	89E20-010-1	[2.17] 55	[4.33] 27,5	[1.65] 42	[0.83] 21	[0.26] 6,6	M36X1,5	[0.31] 8
8MA-220-1	89E30-010-1	[2.76] 70	[1.38] 35	[2.13] 54	[1.06] 27		M42X1,5	[0.39] 10
8MA-221-1	89E40-010-1	[3.15] 80	[1.57] 40	[2.60] 66	[1.30] 33	[0.35] 9	M55X2	[0.47] 12
8MA-222-1	89E50-025-1	[3.54] 90	[1.77] 45	[2.99] 76	[1.50] 38		M68X2	[0.59] 15
8MA-223-1	89E63-008-1	[4.33] 110	[2.17] 55	[3.54] 90	[1.77] 45	[0.43] 11	M80X2	

8000, 8200, 8400 SERIES

Pneumatic Swing Clamps | Product Overview

Features:

- Threaded body may be mounted in a tapped hole or a clearance hole with optional mounting flange. 8215/8216 may be mounted with the upper flange.
- Sensor ready for use with round style sensors
- Clamp arm and spindle included

Applications:

- Assembly
- Welding
- Light machining

Also Available:

- See page 31 for clamping arms
- See page 31 for mounting flanges
- See page 40 for sensing options

Series 8000, 8200, 8400



Technical Information

Model	Swing Direction	Total Stroke [in]mm	Stroke During Rotation [in]mm	Vertical Clamp Stroke [in]mm	Clamping Force [lbf.] N†	Bore Size [in]mm	Air Consumption‡ [ft³]dm³	Weight [lb.]kg	Replacement Seal Kit
8015	RH	[0.85] 21,5	[0.47] 11,8	[0.38] 9,7	[18] 80	[0.75] 19,1	[0.002] 0,06	[1.0] 0,45	801560
8016	LH								
8215	RH	[1.25] 31,8	[0.75] 19,1	[0.50] 12,7	[67] 300	[1.50] 38,1	[0.015] 0,41	[2.2] 1,0	821560
8216	LH								
8415	RH				[55] 245	[1.19] 30,2	[0.009] 0,25	[1.5] 0,68	841560
8416	LH								

† with standard clamping arm at 5bar[72psi]. ‡ per double stroke at 5bar[72psi]

Operating Pressure Range: 3bar[40psig] to 9bar[130psig]

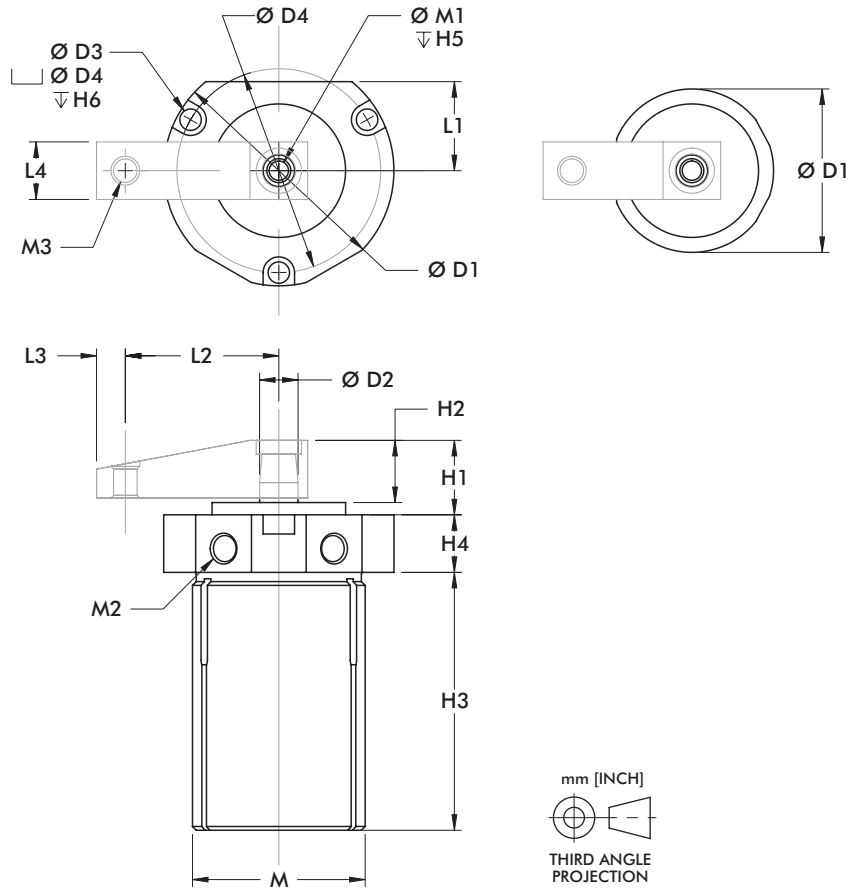
Maximum Operating Temperature: 60°C[140°F]

Note:

To order with out clamping arm, add **-LA** to the end of the model number. EX. 8115-**LA**.

8000, 8200, 8400 SERIES

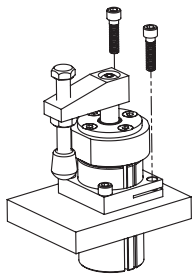
Pneumatic Swing Clamps | Dimensions



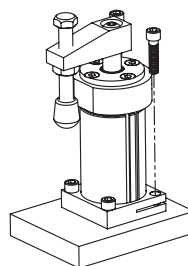
Model	$\varnothing D1$	$\varnothing D2$	$\varnothing D3$	$\varnothing D4$	H1	H2	H3	H4	H5	H6	L1	L2
8015	[1.25]	[0.44]	--	--	[0.53]	[0.41]	[2.87]	[0.50]	[0.75]	--	--	[1.12]
8016	31,8	11,1	--	--	13,5	10,4	72,9	12,7	19,1	--	--	28,4
8215	[3.00]	--	[0.28]	[2.66]	[0.97]	[0.81]	[3.36]	--	--	[0.25]	[1.16]	[2.00]
8216	76,2	[0.50]	7,1	67,6	24,6	20,6	85,3	[0.75]	[0.67]	6,4	29,5	50,8
8415	[2.13]	12,7	--	--	[0.94]	[0.78]	[3.17]	19,1	17	--	--	[1.56]
8416	54,1	--	--	--	23,9	19,8	80,5	--	--	--	--	39,6

Model	L3	L4	M	M1	M2	M3
8015	[0.31]	[0.62]	1-1/8-16	1/4-20	#10-32	#10-32
8016	7,9	15,7	--	--	--	--
8215	--	--	2-1/4-12	--	--	--
8216	[0.38]	[0.75]	--	5/16-18	1/8 NPT	3/8-16
8415	9,6	19,1	1-3/4-12	--	--	--
8416	--	--	--	--	--	--

Mounting Options



8000, 8200, 8400
Mounted into a tapped hole or a through a clearance hole with the optional mounting flange. Jam nuts are available for 8000.

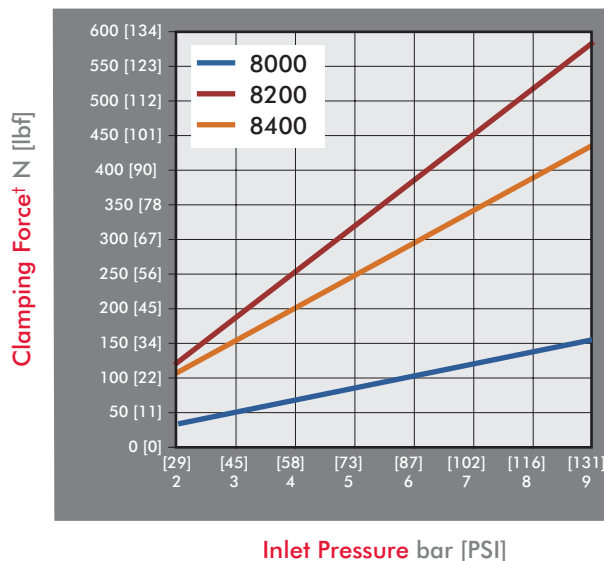


8200 only
Mounted through a clearance hole using mounting screws in the top flange.

8000, 8200, 8400 SERIES

Pneumatic Swing Clamps | Clamping Forces

Series 8000, 8200, 8400 Clamping Force
(w/ standard clamping arm)

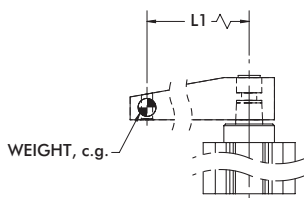


Guidelines

DE-STA-CO Pneumatic Swing Clamps are designed for long life when using standard clamping arms and spindles. In the event that a longer arm or additional weight is needed, please consult these charts for the allowable weight and length.

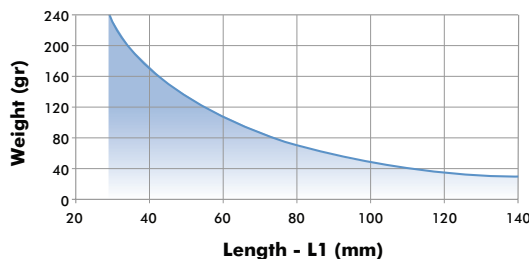
Example: 8215

At a weight of 80 gr, the maximum length of the arm is approximately 90mm.

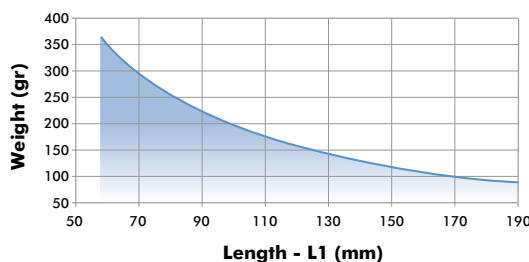


All data refers to an operating pressure of 5 bar (72psi) and an opening and closing time of 1 second.

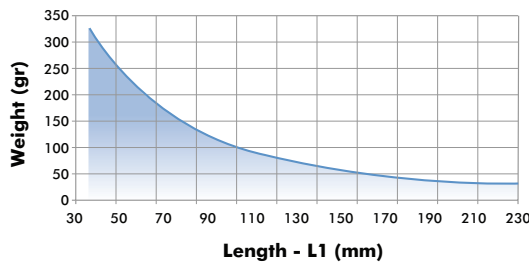
8015/8016 Clamp Arm Weight



8215/8216 Clamp Arm Weight



8415/8416 Clamp Arm Weight

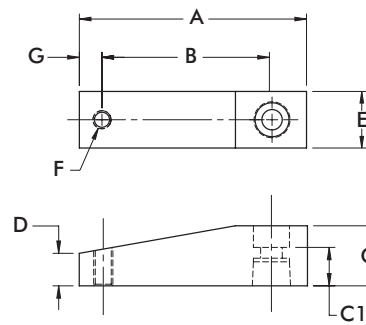
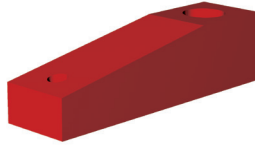


8000, 8200, 8400 SERIES

Pneumatic Swing Clamps | Clamping Arms

Features:

- Lightweight aluminum construction
- Locking tapered connection for 360 deg. arm positioning

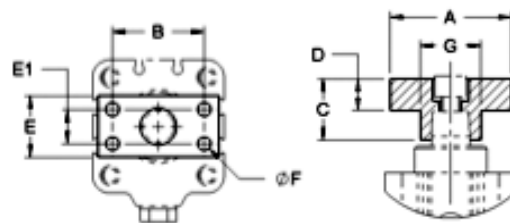
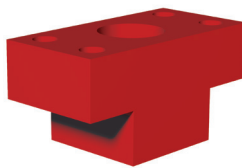


Part Number	Used with Model/series	A	B	C	C1	D	E	F	G	Weight [lbs] kg
801528	8015/8016	[1.74] 44.2	[1.11] 28.2	[0.37] 9.4	[0.33] 8.3	[0.25] 6.4	[0.62] 15.7	#10-32	[0.32] 8.1	[0.03] 0.01
801529	8015/8016	[2.87] 72.9	[2.24] 56.9	[0.37] 9.4	[0.33] 8.3	[0.25] 6.4	[0.62] 15.7	#10-32	[0.32] 8.1	[0.05] 0.02
821512	8215/8216 8415/8416	[2.75] 69.9	[2.00] 50.8	[0.75] 19.1	[0.57] 14.5	[0.38] 9.5	[0.75] 19.1	3/8-16	[0.38] 9.5	[0.04] 0.02
821513	8215/8216	[3.75] 95.3	[3.00] 76.2	[0.75] 19.1	[0.57] 14.5	[0.38] 9.5	[0.75] 19.1	3/8-16	[0.38] 9.5	[0.05] 0.02

Clamping Arm Adapters

Features:

- For attaching custom made clamp arms
- 360° rotatable arm
- Aluminum construction

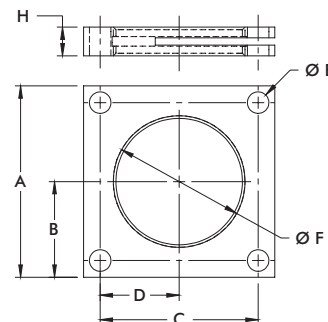
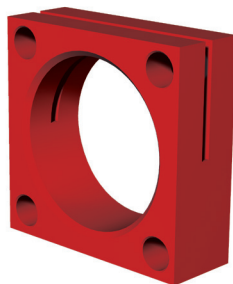


Part Number	Used with Model/series	A	B	C	D	E	E1	F	Weight [lbs] kg
801532	8015/8016	[1.37] 34,8	[1.00] 25,4	[0.39]	[0.25]	[0.62]	--	#10-32 (2x)	[0.03] 0,014
821556	8215/8216	[1.50] 38,1	[1.06] 26,9	[0.75]	[0.37]	[0.75]	--	1/4-20 (2x)	[0.05] 0,020

Mounting Flanges

Features:

- For use with Threaded Body Pneumatic Swing Clamps
- Variable height adjustment
- For recessed mounting



Part Number	Used with Model/series	A	B	C	D	E	F	H
801553	8015/8016	[1.38] 35	[0.69] 17,5	[1.08] 27,4	[0.54] 13,7	[0.20] 5,1	1 1/8-16	[0.50] 12.7
821553	8215/8216	[2.50] 63,5	[1.25] 31,8	[2.12] 53,8	[1.06] 26,9	[0.28] 7,1	2 1/4-12	
841550	8415/8416	[2.00] 50,8	[1.00] 25,4	[1.60] 40,6	[0.80] 20,3		1 3/4-12	

035 SERIES**Pneumatic Swing Clamps | Product Overview****Features:**

- Available with threaded body, or lower flange mounting
- Low profile for confined spaces
- Double locked arm attachment is bolted to piston rod and clamped around shaft diameter

Applications:

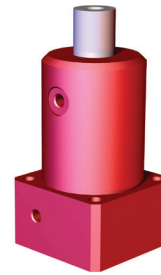
- Assembly
- Welding
- Light machining

Also Available:

See page 35 for clamping arms
See page 36 for jam nuts

Series 035-1

Threaded body design for mounting through fixture plates.

Series 035-2

Flanged body design for quick and easy mounting

Technical Information

Model	Swing Direction	Total Stroke [in]mm S	Stroke During Rotation [in]mm S1	Vertical Clamp Stroke [in]mm S2	Clamping Force [lbf.] N†	Bore Size [in]mm	Air Consumption‡ [ft³]dm³	Weight [lb.]kg	Replacement Seal Kit
035-125-190	RH	[1.04]	[0.51]	[0.53]	[20]	[0.98]	[0.005]	[0.56]	905516
035-125-290	LH	26,3	12,8	13,5	89	25	0,13	0,25	
035-132-190	RH	[1.13]	[0.56]	[0.57]	[30]	[1.26]	[0.008]	[0.94]	905517
035-132-290	LH	28,8	14,3	14,5	133	32	0,24	0,43	
035-140-190	RH	[1.20]	[0.57]	[0.63]	[60]	[1.57]	[0.015]	[1.31]	905518
035-140-290	LH	30,4	14,4	16	267	40	0,41	0,59	
035-150-190	RH	[1.18]	[0.63]	[0.55]	[69]	[1.97]	[0.023]	[1.81]	905519
035-150-290	LH	30	16	14	307	50	0,64	0,82	
035-225-190	RH	[1.05]	[0.54]	[0.51]	[20]	[0.98]	[0.005]	[0.56]	905516
035-225-290	LH	26,7	13,7	13	89	25	0,13	0,25	
035-232-190	RH	[1.06]	[0.57]	[0.49]	[30]	[1.26]	[0.008]	[1.13]	905517
035-232-290	LH	26,8	14,4	12,4	133	32	0,24	0,51	
035-240-190	RH	[1.09]	[0.57]	[0.52]	[60]	[1.57]	[0.015]	[1.40]	905518
035-240-290	LH	27,7	14,4	13,3	267	40	0,41	0,64	
035-250-190	RH	[1.13]	[0.63]	[0.51]	[69]	[1.97]	[0.023]	[1.90]	905519
035-250-290	LH	28,8	16	12,8	307	50	0,64	0,86	

† with standard clamping arm at 5bar[72psi]. ‡ per double stroke at 5bar[72psi]

Operating Pressure Range: 3bar[40psig] to 7bar[100psig]

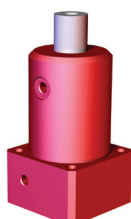
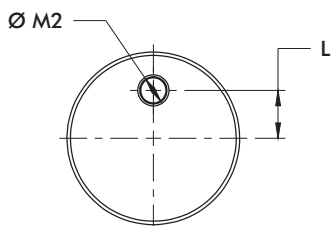
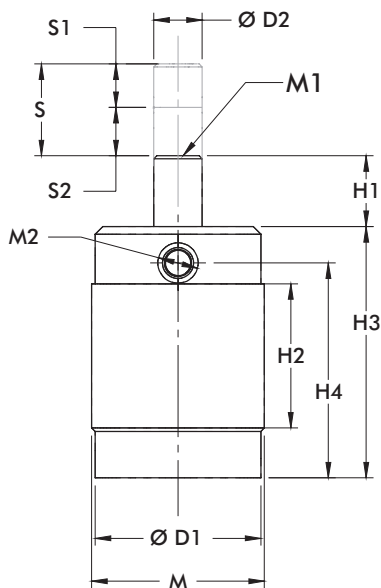
Maximum Operating Temperature: 80°C[176°F]

035 SERIES

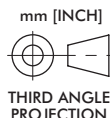
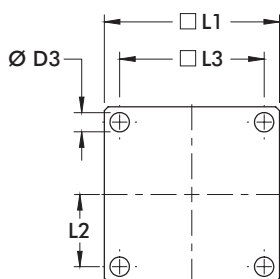
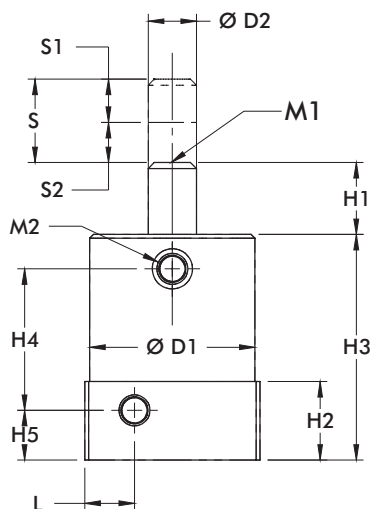
Pneumatic Swing Clamps | Dimensions



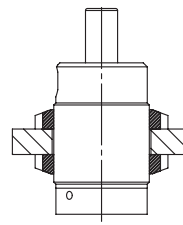
Series 035-1



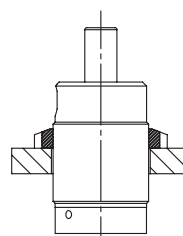
Series 035-2



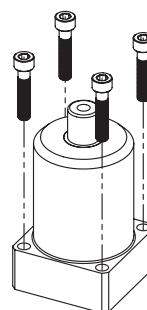
Mounting Options



035-1
Threaded body mounts through a clearance hole and locked in place using two optional jam nuts



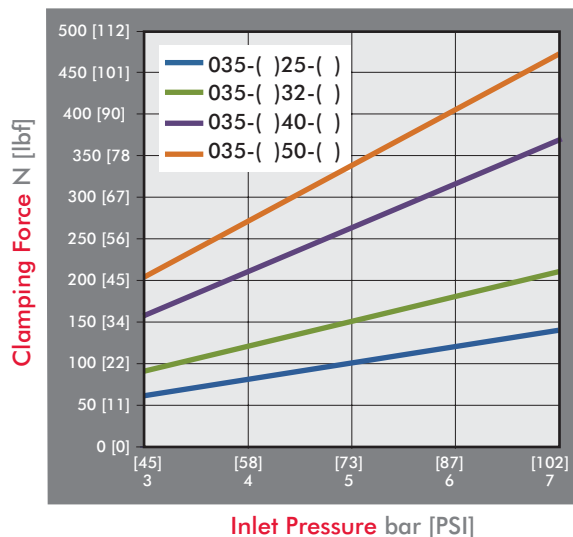
035-1
Threaded body mounts into a threaded hole and is locked in place using one optional jam nuts



035-2
Mount using four mounting holes in the base flange

Model	ØD1	ØD2	D3	H1	H2	H3	H4	H5	L	L1	L3	M	M1	M2
035-125-()	[1.42] 36	[.55] 14	--	[0.57] 14,4	[1.50] 38,1	[2.76] 70	[2.25] 57,2	--	[0.35] 9	--	--	1-½ -16	1/4-20	#10-32
035-132-()	[1.79] 45,4	[0.63] 16	--	[0.75] 19,1	[1.72] 43,7	[3.87] 98,2	[2.63] 66,7	--	[0.45] 11,4	--	--	1-7/8-16	5/16-18	1/8 NPT
035-140-()	[2.16] 54,8	[0.79] 20	--	[0.76] 19,4	[1.88] 47,7	[3.28] 83,2	[2.80] 71	--	[0.70] 17,8	--	--	2-1/4-16		
035-150-()	[2.36] 60	[0.79] 20	--	[0.70] 17,8	[2.00] 50,8	[3.48] 88,3	[2.95] 75	--	[0.50] 12,7	--	--	2-1/2-16		
035-225-()	[1.38] 35	[.55] 14	[.18] 4,5	[0.60] 15,2	[.91] 23	[2.62] 66,5	[1.60] 40,6	[0.50] 12,7	[0.57] 14,5	[1.57] 40	[1.22] 31	--	1/4-20	#10-32
035-232-()	[1.97] 50	[0.63] 16	[.26] 6,5	[0.85] 21,6	[.91] 23	[2.79] 71	[1.76] 44,6	[0.57] 114,5	[0.65] 16,5	[2.13] 54	[1.73] 44	--	5/16-18	1/8 NPT
035-240-()	[2.16] 54,8	[0.79] 20	[.33] 8,5	[0.94] 23,9	[1.03] 26,1	[2.95] 75	[1.85] 47	[0.65] 16,5	[0.65] 16,5	[2.29] 58,2	[1.89] 48	--		
035-250-()	[2.36] 60	[0.79] 20	[.33] 8,5	[0.78] 19,7	[1.03] 26	[3.15] 80	[2.05] 52	[0.65] 16,5	[0.65] 16,5	[2.68] 68	[2.17] 55	--		

Series 035 Clamping Force
(w/ standard clamping arm)

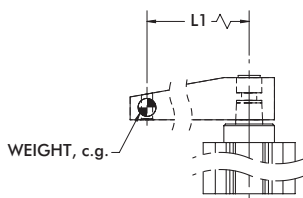


Guidelines

DE-STA-CO Pneumatic Swing Clamps are designed for long life when using standard clamping arms and spindles. In the event that a longer arm or additional weight is needed, please consult these charts for the allowable weight and length.

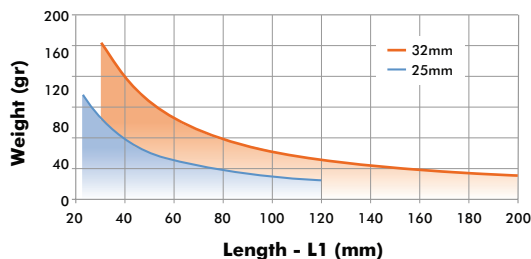
Example: 035-132-190

At a weight of 80 gr, the maximum length of the arm is approximately 90mm.

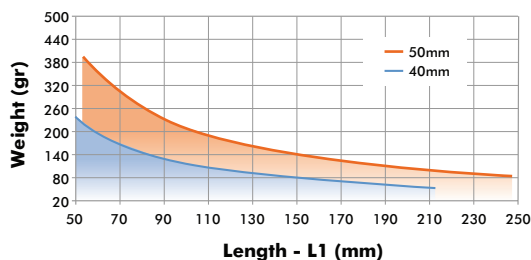


All data refers to an operating pressure of 5 bar (72psi) and an opening and closing time of 1 second.

25mm, 32mm Clamp Arm Weight



40mm, 50mm Clamp Arm Weight

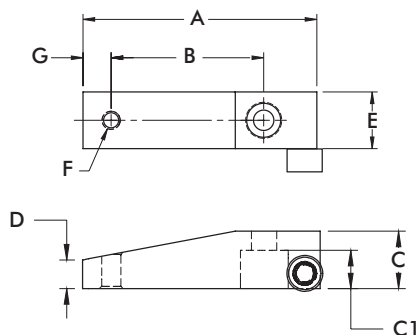
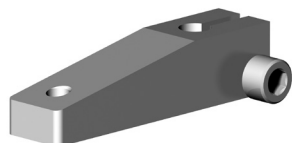


035 SERIES

Pneumatic Swing Clamps | Clamping Arms

Features:

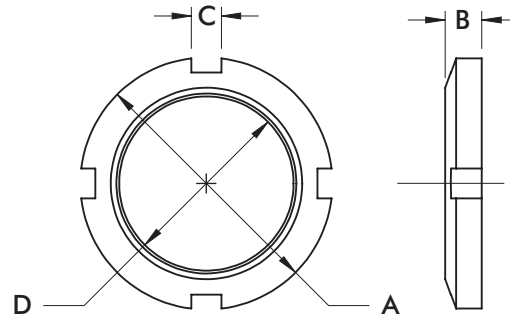
- For standard use
- Aluminum construction
- Clamp on style connection for 360 deg. arm positioning



Part Number	Used with Model/series	A	B	C	C1	D	E	F	G	Weight [lbs] kg
036-551-01	035-12.... 035-22....	[2.38] 60.5	[1.36] 34.5	[0.63] 15.9	[0.40] 10.2	[0.31] 8.0	[0.75] 19.1	1/4-20	[0.32] 8.0	[0.10] 0.05
036-551-02	035-12.... 035-22....	[3.38] 85.9	[2.36] 60.0	[0.63] 15.9	[0.40] 10.2	[0.31] 8.0	[0.75] 19.1	1/4-20	[0.32] 8.0	[0.13] 0.06
036-630-01	035-13.... 035-23.... 035-14.... 035-24....	[3.10] 78.7	[2.00] 50.8	[0.75] 19.1	[0.50] 12.7	[0.38] 9.5	[0.75] 19.1	5/16-18	[0.38] 9.5	[0.15] 0.07
036-630-02	035-13.... 035-23.... 035-14.... 035-24....	[4.73] 120.0	[3.63] 92.1	[0.75] 19.1	[0.50] 12.7	[0.38] 9.5	[0.75] 19.1	5/16-18	[0.38] 9.5	[0.21] 0.10
036-787-01	035-15.... 035-25....	[4.00] 101.6	[2.75] 69.9	[1.00] 25.4	[0.70] 17.8	[0.50] 12.7	[1.00] 25.4	3/8-16	[0.38] 9.5	[0.33] 0.15
036-787-02	035-15.... 035-25....	[6.36] 161.5	[5.00] 127.0	[1.00] 25.4	[0.70] 17.8	[0.50] 12.7	[1.00] 25.4	3/8-16	[0.38] 9.5	[0.49] 0.22

035 SERIES**Pneumatic Swing Clamps | Jam Nuts****Features:**

- For use with Threaded Body Pneumatic Swing Clamps
- Variable height adjustment
- For recessed mounting
- Steel construction



Part Number	Used with Model/series	A	B	C	D	Weight [lbs] kg
051-150-160	035-125-190 035-125-290	[2.00] 50.8	[0.38] 9.7	[0.275] 7.0	1 1/2-16 UN	[0.13] 0.06
051-187-160	035-132-190 035-132-290	[2.63] 66.7	[0.38] 9.7	[0.312] 7.9	1 7/8-16 UN	[0.25] 0.11
051-225-160	035-140-190 035-140-290	[3.00] 76.2	[0.50] 12.7	[0.312] 7.9	2 1/4-16 UN	[0.40] 0.18
051-250-160	035-150-190 035-150-290	[3.25] 82.6	[0.50] 12.7	[0.312] 7.9	2 1/2-16 UN	[0.44] 0.20

8700 SERIES

Pneumatic Swing Clamps | Product Overview

Features:

- Alternative solution to swing clamps when space is limited
- The clamping lever may be positioned left, forward, or right (relative to ports) within the same clamp body
- Threaded body with upper flange mount
- Non-toggle locking linkage
- Clamping arm and spindle included

Applications:

- Assembly & welding fixtures
- Light machining

Also Available:

See page 39 for jam nuts

8725



8732
8732G



8740
8740G



8750
8750G



Technical Information

Model	Vertical Clamping Stroke* [in.]mm	Clamping Force† [lb.]N	Bore Size [in.]mm	Air Consumption‡ [in. ³]cm ³	Weight [lb.]kg	Seal Kit
8725	[0.10] 2,5	[43] 195	[0.98] 25	[0.004] 0,11	[1.3] 0,6	872500
8732	[0.12] 3,2	[64] 285	[1.26] 32	[0.008] 0,23	[2.2] 1,0	873200
8732G		[106] 470	[1.57] 40	[0.014] 0,41	[2.6] 1,2	874000
8740		[167] 745	[1.97] 50	[0.023] 0,64	[4,4] 2,0	875000
8740G	[0.15] 3,8	[167] 745	[1.97] 50	[0.023] 0,64	[4,4] 2,0	875000
8750	[0.15] 3,8	[167] 745	[1.97] 50	[0.023] 0,64	[4,4] 2,0	875000
8750G	[0.15] 3,8	[167] 745	[1.97] 50	[0.023] 0,64	[4,4] 2,0	875000

* Equal to approx. 6° above horizontal with standard clamping arm. † at 5bar [72psi].

‡ per double stroke at 5bar [72psi].

Operating Pressure Range:

3bar [40psig] to 7bar [100psig]

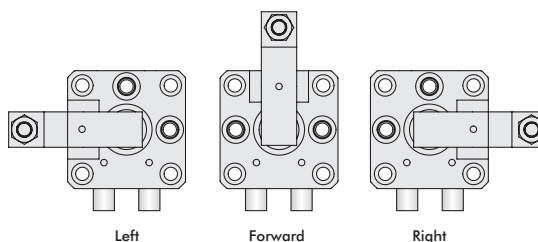
Max. Operating Temperature:

-10°C to 80°C [14°F to 175°F]

Application Note:

If using clamping arms other than standard, the length must not exceed 1.5X the overall length of the standard arm.

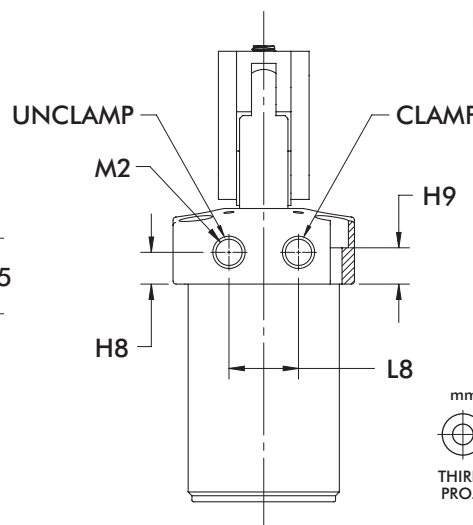
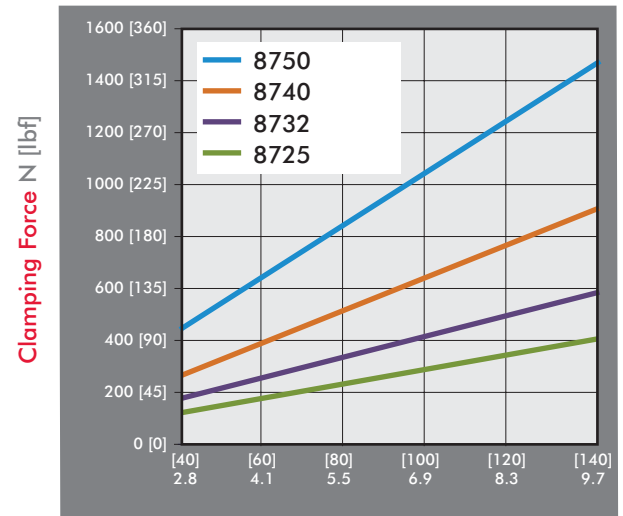
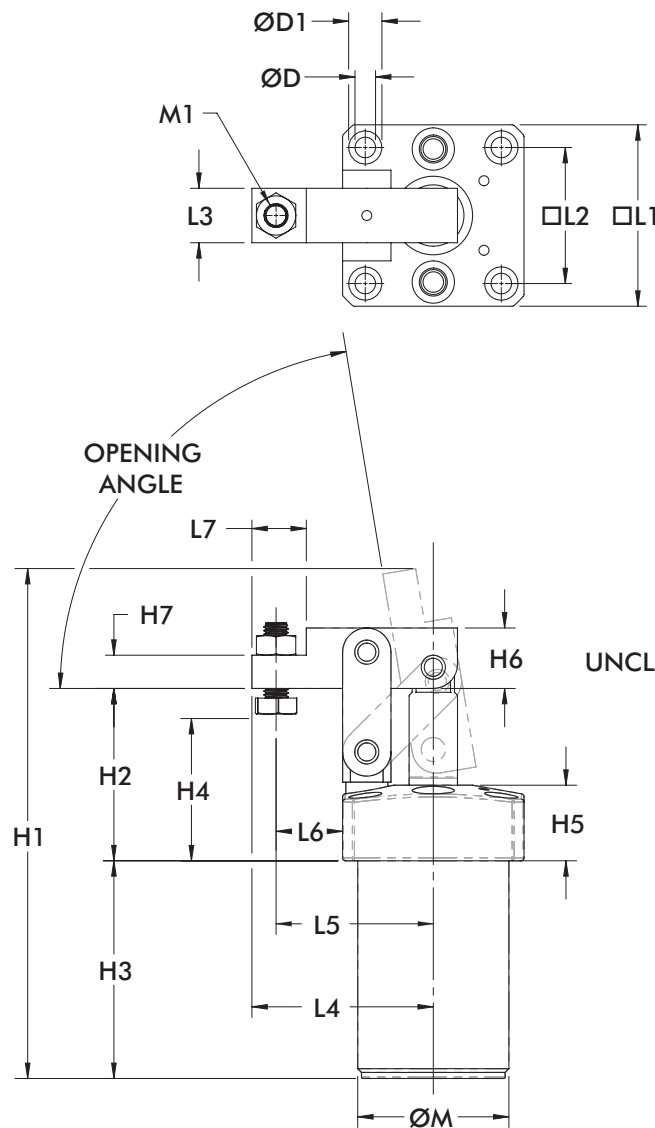
The inlet air flow rate should be adjusted to position the arm in no less than 1/2 second for standard arms and no less than 1 second in the case of an extended arm.



Levers can be positioned in one of three positions in relation to the air ports.

8700 SERIES

Pneumatic Swing Clamps | Dimensions, Clamping Forces



mm [INCH]
THIRD ANGLE PROJECTION

Model	Opening Angle	ØD	ØD1	H1	H2	H3	H4 (min/max)	H5	H6	H7	H8	H9
8725	80°	[0.22] 5,5	[0.35] 9	[5.67] 144	[1.97] 50	[2.42] 61,5	[0.59-0.98] 15-25	[0.98] 25	[0.67] 17	[0.39] 10	[0.47] 12	[0.59] 15
8732/ 8732G	81°	[0.27] 6,8	[0.43] 11	[6.65] 169	[2.25] 57	[2.83] 72	[0.63-1.18] 16-30		[0.79] 20	[0.43] 11	[0.41] 10,5	[0.51] 13
8740/ 8740G	82°	[0.27] 6,8	[0.43] 11	[6.93] 176	[2.40] 61	[2.85] 72,5	[0.75-1.14] 19-29		[0.98] 25	[0.55] 14		[0.41] 10,5
8750/ 8750G	75°	[0.33] 8,5	[0.55] 14	[7.87] 200	[2.60] 66	[3.11] 79	[0.86-1.30] 22-33		[1.18] 30	[0.59] 15	[0.41] 10,5	[0.43] 11

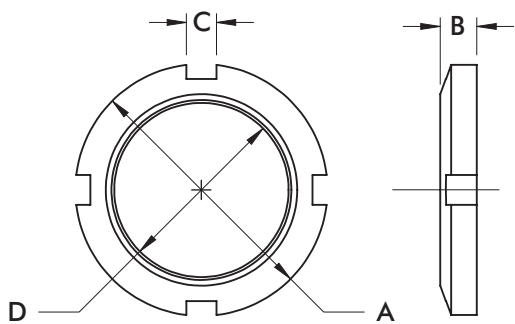
Model	L1	L2	L3	L4	L5	L6	L7	L8	ØM	M1	M2
8725	[1.97] 50	[1.46] 37	[0.63] 16	[1.89] 48	[1.61] 41	[0.63] 16	[0.55] 14	[0.91] 23	M40 x 1.50	M6 x 1.0	M5 x 0.8
8732 8732G	[2.36] 60	[1.77] 45	[0.71] 18	[2.36] 60	[2.05] 52	[0.87] 22	[0.71] 18	[0.91] 23	M50 x 1.50	M8 x 1.25	[1/8NPT] G-1/8
8740 8740G	[2.65] 65	[1.97] 50	[0.79] 20	[2.60] 66	[2.20] 56	[0.93] 23,5	[0.79] 20	[1.02] 26	M55 x 1.50		[1/8NPT] G-1/8
8750 8750G	[2.95] 75	[2.28] 57	[0.87] 22	[3.05] 77,5	[2.50] 63,5	[1.02] 26	[1.10] 28	[1.26] 32	M65 x 1.50	M12 x 1.75	[1/8NPT] G-1/8

8700 SERIES

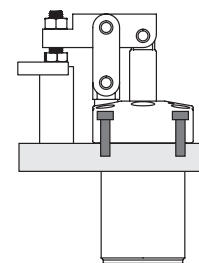
Pneumatic Swing Clamps | Jam Nuts

Features:

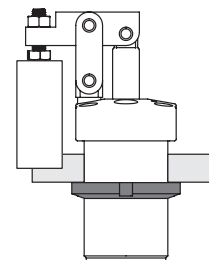
- For use with 8700 Series Pneumatic Lever Clamps
- Variable height adjustment
- For recessed mounting



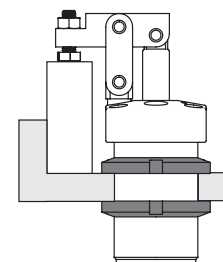
Mounting from above using 4 socket cap screws through the flange.



Mounting by screwing body into a tapped hole and locking with one jam nut.



Mounting by inserting body into a plain hole and locking with two jam nuts.



Part Number	Used with Model/series	A	B	C	D	Weight [lbs] kg
872550	8725	[2.09] 53	[0.35] 9	[0.28] 7	M40 x 1.50	[0.13] 0.06
873250	8732/ 8732G	[2.76] 70	[0.43] 11	[0.24] 6	M50 x 1.50	[0.35] 0.16
874050	8740/ 8740G	[2.95] 75		[0.31] 8	M55 x 1.50	[0.37] 0.17
875050	8750/ 8750G	[3.25] 82,5	[0.39] 10	[0.39] 10	M65 x 1.50	[0.33] 0.15

PNEUMATIC SWING CLAMPS ACCESSORIES

Pneumatic Swing Clamps | Sensors

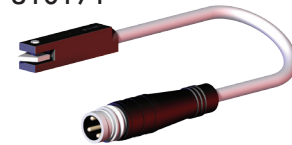
Features:

- Sensors are activated by a magnetic ring installed on the cylinder piston
- All sensors feature an LED for easy set-up
- IP67 rated
- Temperature Range: -10°C to 60°C [14°F to 140°F]

810169,
810173,
810174



8EA-109-1,
8EA-120-1,
810170,
810171



810151,
810153,
810155,
810157



Tie rod clip 810151-1 included.

810156,
810158



810153



Technical Information

Item Number	Mount Style	Connector	Length	Function	Voltage	Max. Switching Current	Voltage Drop
810169	Round	M8 male quick connect	165mm [6.5in.]	Reed	5-120V AC/DC	50mA	3.0V
810173				PNP	4.5-28V DC	100mA	0.5V
810174				NPN	4.5-28V DC	100mA	0.5V
8EA-109-1	T-slot	M8 male quick connect	300mm [11.8in.]	Reed	10-30V DC	100mA	3.0V
8EA-120-1		M12 male quick connect	300mm [11.8in.]	Reed	15-30 V AC/DC	500mA	1.5V
810170		M8 male quick connect	165mm [6.5in.]	PNP	10-30V DC	100mA	2.0V
810171				NPN	10-30V DC	100mA	2.0V
810151	Tie Rod	No connector cord	2.7m [9ft.]	Reed	5-120V AC/DC	500mA	3.5V
810153				Reed	24-240V AC	4A	1.0V
810155				PNP	6-24V DC	500mA	1.0V
810157				NPN	6-24V DC	500mA	1.0V
810156	Band Clamp			Reed	5-120V AC/DC	500mA	3.5V
810158				PNP	6-24V DC	500mA	1.0V

PNEUMATIC SWING CLAMPS ACCESSORIES

Pneumatic Swing Clamps | Extension Cordsets

Features:

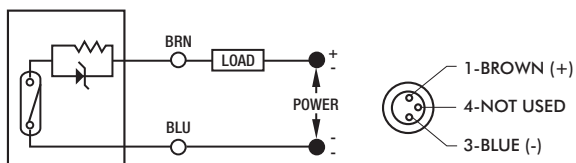
- For use with M8 quick connect sensors
- Threaded coupling nuts provide IP67 protection
- Robotic grade, oil and abrasion resistant polyurethane (PUR) cable



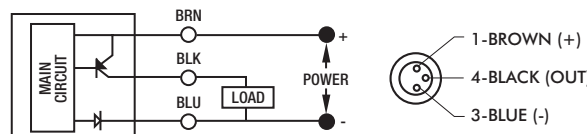
Item Number	Length	Rating	Temperature Rating
CABL-010	2 Meter [78in.]	120V AC/DC, 3A max.	-20°C to 80°C [-40°F to 176°F]
CABL-013	5meter [16.4ft.]		

Wiring Schematics

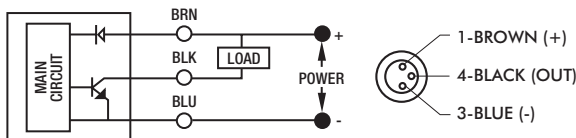
810169



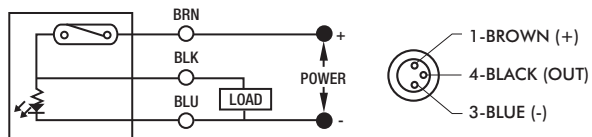
810170, 810173



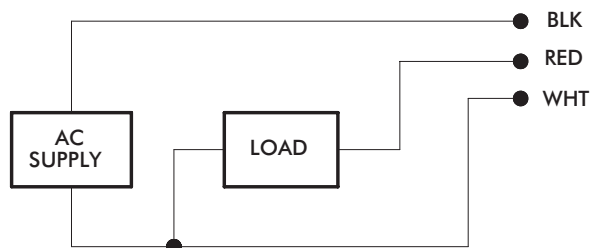
810171, 810174



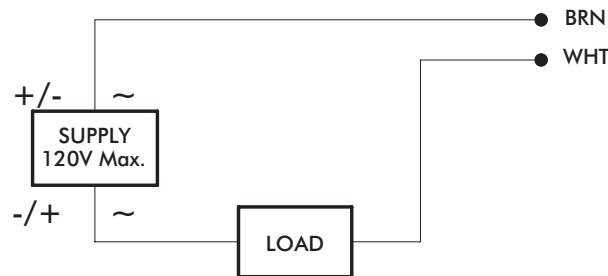
8EA-109-1, 8EA-120-1



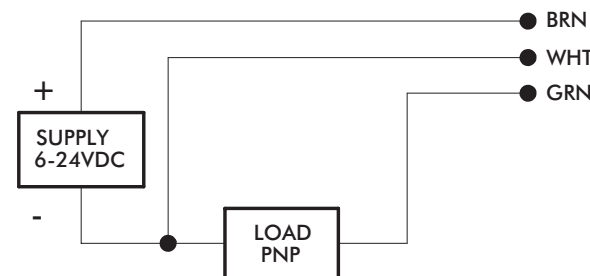
810153



810151, 810156



810155, 810158



810157, 810158

