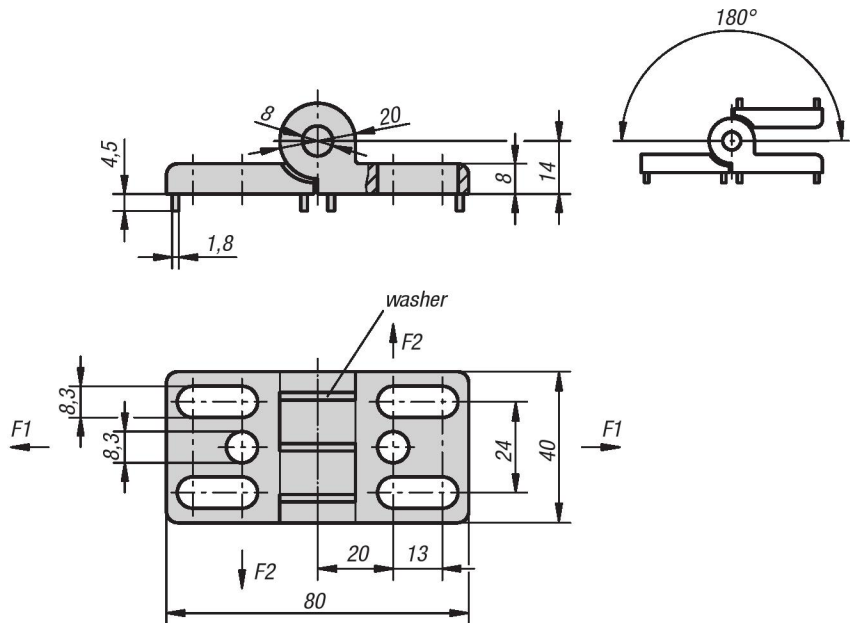


Hinges

die-cast zinc, with elongated holes

METRIC
Parts

New Item



Material:

Die-cast zinc.
Hinge pin stainless steel.
Washer thermoplastic.

Type:

Hinge black powder-coated.
Pin natural finish.
Washer black.

Part Number Example:

K0441.402020

Note:

Elongated holes allow easy horizontal adjustment.

KIPP Hinges die-cast zinc, with elongated holes, metric

Item No.	Guide tabs for slot	F1 max. kN	F2 max. kN
K0441.402020	-	1,2	0,5
K0441.40202008	8	1,2	0,5
K0441.40202010	10	1,2	0,5