



Handwheels

with fold-away handle

INCH
Parts

METRIC
Parts



Material:

Black gray thermoplastic.

Type:

Steel parts black oxide finish.

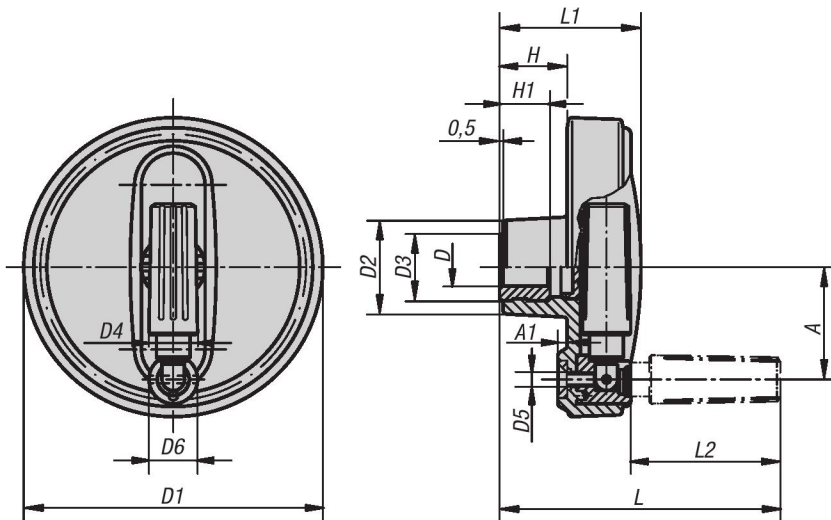
Part Number Example:

K0258.1080C0

Note:

The hub cover is supplied unassembled.

The handwheels can be secured to the shaft by parallel key connection, cross-pinning or with a DIN 6912 socket head screw and a DIN 7349 washer.



KIPP Handwheels, with fold-away handle, inch

Item No.	Size	D	D1	D2	D3	D4	D5	D6	A	A1	H	H1	L	L1	L2
K0258.1080C0	1	.375	80	25	19	13	M4	13	30	2.5	17.5	13	75	37.5	40
K0258.2100C0	2	.375	100	28	19	16	M5	16	38	3	20	13	90	44	49
K0258.2100CP	2	.500	100	28	19	16	M5	16	38	3	20	13	90	44	49
K0258.3125CP	3	.500	125	35	25	20	M6	20	47.5	4	23.5	18.5	109	53	59.5
K0258.4160CP	4	.500	160	45	25	25	M8	26	62	5.6	28	18.5	144	64.5	83.5
K0258.4160CQ	4	.625	160	45	25	25	M8	26	62	5.6	28	18.5	144	64.5	83.5

KIPP Handwheels, with fold-away handle, metric

Item No.	Size	D	D1	D2	D3	D4	D5	D6	A	A1	H	H1	L	L1	L2
K0258.108008	1	8	80	25	19	13	M4	13	30	2,5	17,5	13	75	37,5	40
K0258.210010	2	10	100	28	19	16	M5	16	38	3	20	13	90	44	49
K0258.210012	2	12	100	28	19	16	M5	16	38	3	20	13	90	44	49
K0258.312512	3	12	125	35	25	20	M6	20	47,5	4	23,5	18,5	109	53	59,5
K0258.416014	4	14	160	45	25	25	M8	26	62	5,6	28	18,5	144	64,5	83,5
K0258.416016	4	16	160	45	25	25	M8	26	62	5,6	28	18,5	144	64,5	83,5