



# K0725

## Handwheels 2-spoke

plastic

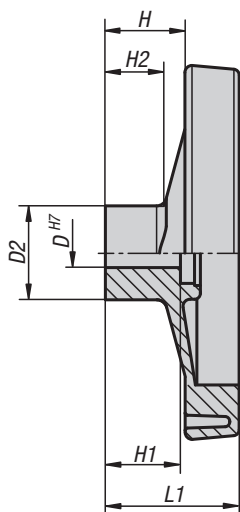
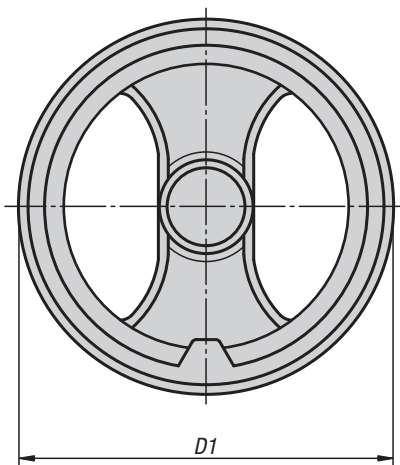


**Material:**  
 Handwheel reinforced and stabilised polyamide.  
 Centre plugs polyamide.  
 Tapped bush steel.

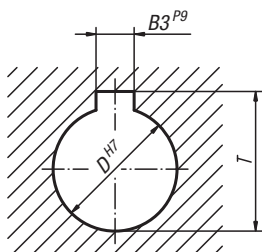
**Version:**  
 Handwheel oil and grease resistant, black (RAL 9011), satin finish.  
 Centre plugs, grey (RAL 7035 cod. 13).  
 Through bush black oxidised.

**Sample order:**  
 K0725.0080X08

**On request:**  
 Other cap colours,  
 special versions.



DIN 6885-1



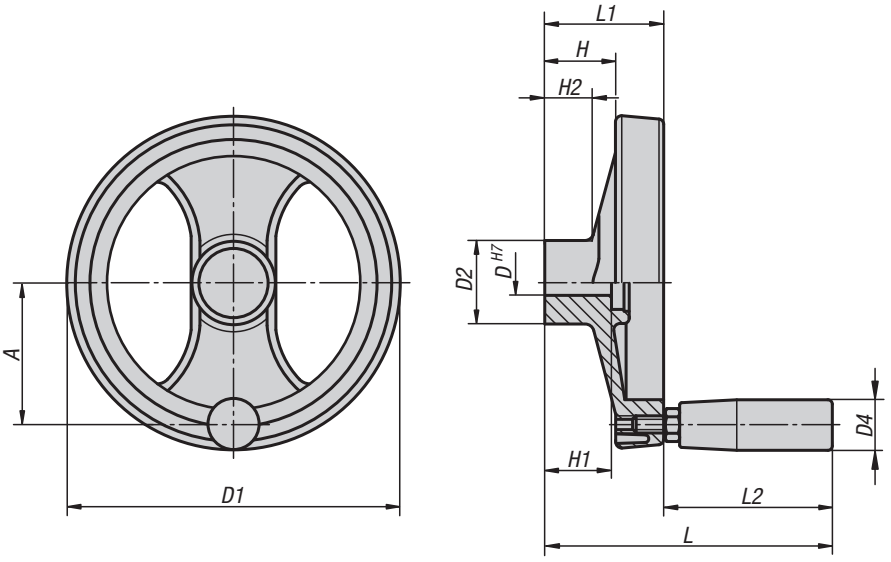
### KIPP Handwheels 2-spoke, plastic

Order No. without slot	Order No. with slot	D	D1	D2	H	H1	H2	L1	B3	T
K0725.0080X08	K0725.1080X08	8	80	24,5	20	20	16	34	-/2	-/9
K0725.0080X10	K0725.1080X10	10	80	24,5	20	20	16	34	-/3	-/11,4
K0725.0100X10	K0725.1100X10	10	99	28	25,5	24	20	42	-/3	-/11,4
K0725.0100X12	K0725.1100X12	12	99	28	25,5	24	20	42	-/4	-/13,8
K0725.0130X12	K0725.1130X12	12	129	32	30	24	21	50	-/4	-/13,8
K0725.0130X14	K0725.1130X14	14	129	32	30	24	21	50	-/5	-/16,3
K0725.0160X14	K0725.1160X14	14	159	40	33	32	22	57	-/5	-/16,3
K0725.0160X16	K0725.1160X16	16	159	40	33	32	22	57	-/5	-/18,3
K0725.0200X16	K0725.1200X16	16	198	51	31	32	17,5	60	-/5	-/18,3
K0725.0200X20	K0725.1200X20	20	198	51	31	32	17,5	60	-/6	-/22,8
K0725.0250X20	K0725.1250X20	20	252	55,5	39,5	36	24	71	-/6	-/22,8
K0725.0250X24	K0725.1250X24	24	252	55,5	39,5	36	24	71	-/8	-/27,3
K0725.0345X20	K0725.1345X20	20	346	67,5	42	32	24	79	-/6	-/22,8

# K0725

## Handwheels 2-spoke

plastic, with revolving grip

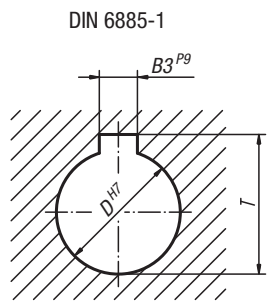


**Material:**  
 Handwheel reinforced and stabilised polyamide.  
 Centre plugs polyamide.  
 Tapped bush steel.  
 Tapped insert for cylinder grip brass.

**Version:**  
 Handwheel oil and grease resistant, black (RAL 9011), satin finish.  
 Centre plugs, grey (RAL 7035 cod. 13).  
 Through bush black oxidised.

**Sample order:**  
 K0725.4080X08

**On request:**  
 Other cap colours,  
 special versions.



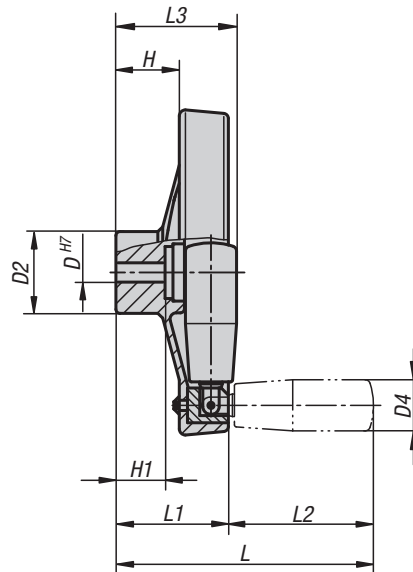
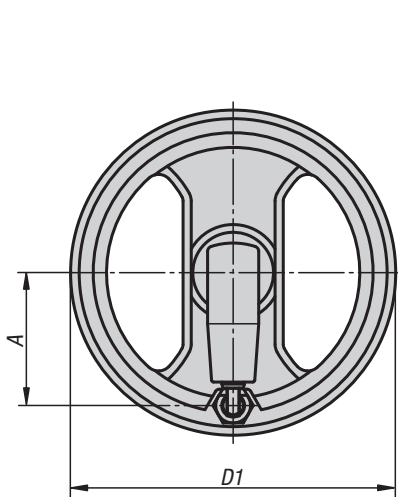
### KIPP Handwheels 2-spoke, plastic, with revolving grip

Order No. without slot	Order No. with slot	D	D1	D2	D4	H	H1	H2	A	L	L1	L2	B3	T
K0725.4080X08	K0725.5080X08	8	80	24,5	20	20	20	16	30	85	34	51	-/2	-/9
K0725.4080X10	K0725.5080X10	10	80	24,5	20	20	20	16	30	85	34	51	-/3	-/11,4
K0725.4100X10	K0725.5100X10	10	99	28	20	25,5	24	20	38	93	43	51	-/3	-/11,4
K0725.4100X12	K0725.5100X12	12	99	28	20	25,5	24	20	38	93	43	51	-/4	-/13,8
K0725.4130X12	K0725.5130X12	12	129	32	23	30	24	21	55	112	50	62	-/4	-/13,8
K0725.4130X14	K0725.5130X14	14	129	32	23	30	24	21	55	112	50	62	-/5	-/16,3
K0725.4160X14	K0725.5160X14	14	159	40	23	33	32	22	66	119	57	62	-/5	-/16,3
K0725.4160X16	K0725.5160X16	16	159	40	23	33	32	22	66	119	57	62	-/5	-/18,3
K0725.4200X16	K0725.5200X16	16	198	51	26	31	32	17,5	82	141	60	81	-/5	-/18,3
K0725.4200X20	K0725.5200X20	20	198	51	26	31	32	17,5	82	141	60	81	-/6	-/22,8
K0725.4250X20	K0725.5250X20	20	252	55,5	27	39,5	36	24	113	163	71	92	-/6	-/22,8
K0725.4250X24	K0725.5250X24	24	252	55,5	27	39,5	36	24	113	163	71	92	-/8	-/27,3
K0725.4345X20	K0725.5345X20	20	346	67,5	27	42	32	24	146	171	79	92	-/6	-/22,8

# K0725

## Handwheels 2-spoke

plastic, with folding grip



**Material:**

Handwheel reinforced and stabilised polyamide.  
Centre plugs polyamide.  
Tapped bush and insert for cylinder grip steel.

**Version:**

Handwheel oil and grease resistant, black (RAL 9011), satin finish.  
Centre plugs, grey (RAL 7035 cod. 13).  
Tapped bush and insert for folding grip black oxidised.

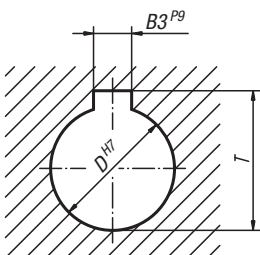
**Sample order:**

K0725.6130X12

**On request:**

Other cap colours,  
special versions.

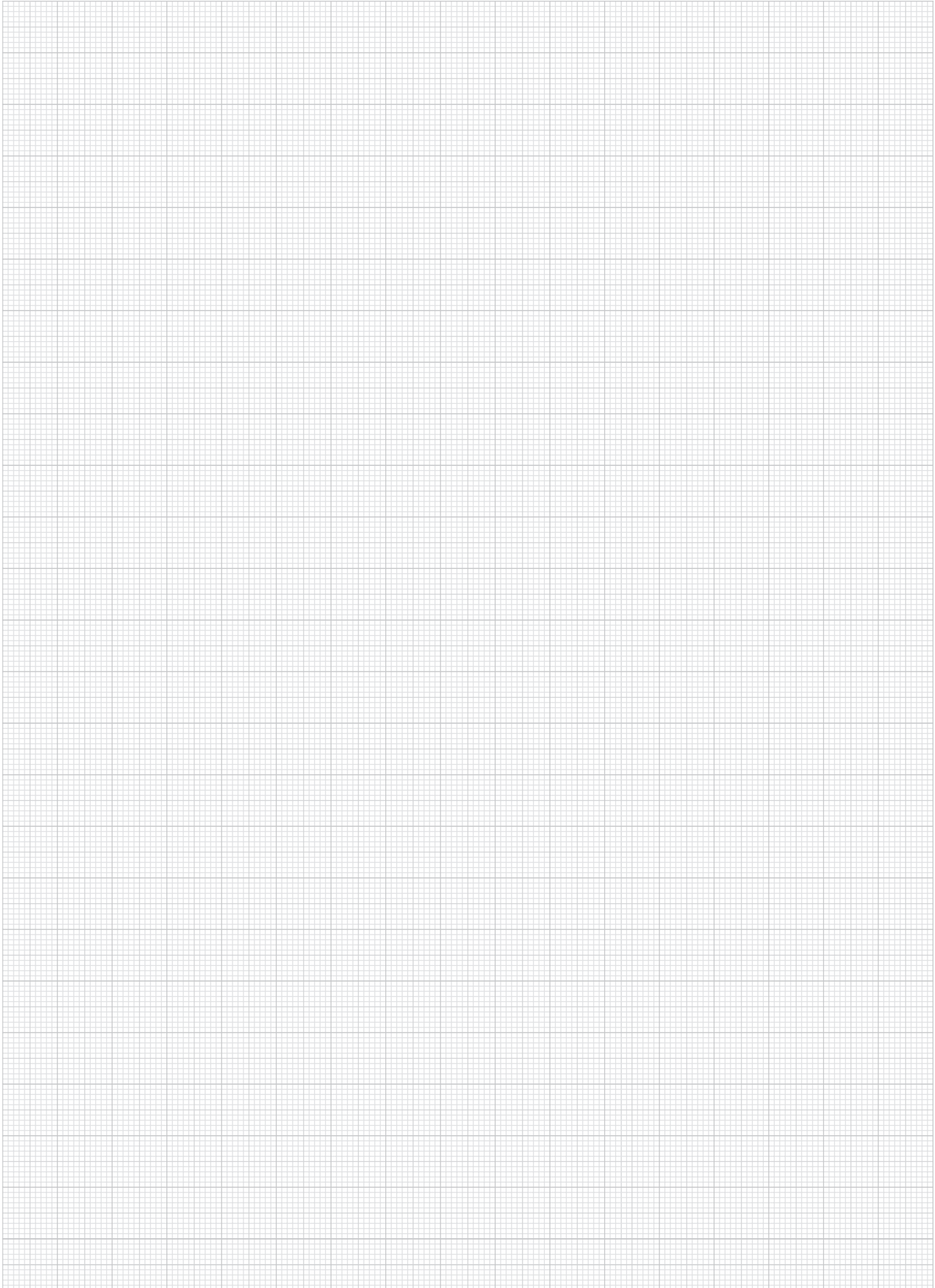
DIN 6885-1



### KIPP Handwheels 2-spoke, plastic, with folding grip

Order No. without slot	Order No. with slot	D	D1	D2	D4	A	H	H1	L	L1	L2	L3	B3	T
K0725.6130X12	K0725.7130X12	12	129	32	20	51	29	20	111	52	59	53	-/4	-/13,8
K0725.6130X14	K0725.7130X14	14	129	32	20	51	29	20	111	52	59	53	-/5	-/16,3
K0725.6160X14	K0725.7160X14	14	159	40	25	65	31	24	126	55	71	59	-/5	-/16,3
K0725.6160X16	K0725.7160X16	16	159	40	25	65	31	24	126	55	71	59	-/5	-/18,3
K0725.6200X16	K0725.7200X16	16	200	54,5	27	80	33	28	160	69	91	69	-/5	-/18,3
K0725.6200X20	K0725.7200X20	20	200	54,5	27	80	33	28	160	69	91	69	-/6	-/22,8
K0725.6345X20	K0725.7345X20	20	346	67,5	27	148	43,5	32	144	80	91	80	-/6	-/22,8

# Notes

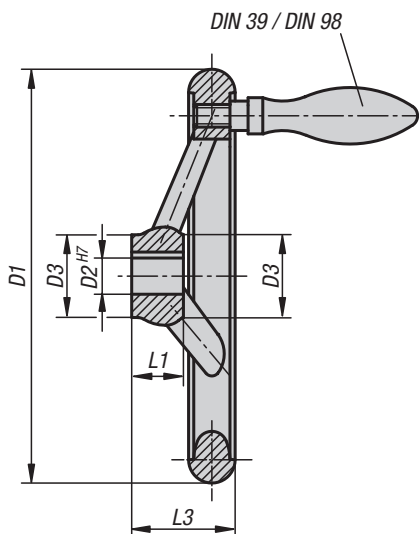
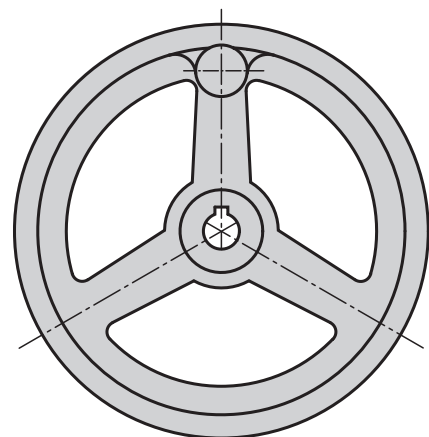


# K0671



## Handwheels

DIN 950 grey cast iron



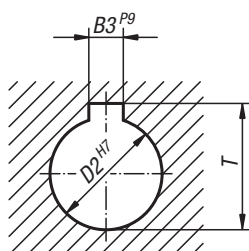
**Material:**  
Handwheel grey cast iron.  
Grip steel.

**Version:**  
Wheel rim turned and polished.  
Radial and axial run-out of rim < IT 12.

**Sample order:**  
K0671.4080X10

**On request:**  
Hubs with square socket or plastic-coated handwheels.

DIN 6885-1



### KIPP Handwheels DIN 950 grey cast iron, without grip

Order No. without slot	Order No. with slot	D1	D2 series 1	D2 series 2	D3	L1	L3	B3 series 1	B3 series 2	T series 1	T series 2	No. of spokes
K0671.0080X10	K0671.1080X10	80	10	-	25	16	29	3	-	11,4	-	3
K0671.0080X12	K0671.1080X12	80	-	12	25	16	29	-	4	-	13,8	3
K0671.0100X10	K0671.1100X10	100	10	-	26	17	33	3	-	11,4	-	3
K0671.0100X12	K0671.1100X12	100	-	12	26	17	33	-	4	-	13,8	3
K0671.0125X12	K0671.1125X12	125	12	-	33	18	36	4	-	13,8	-	3
K0671.0125X14	K0671.1125X14	125	-	14	33	18	36	-	5	-	16,3	3
K0671.0140X14	K0671.1140X14	140	14	-	33	19	39	5	-	16,3	-	3
K0671.0140X16	K0671.1140X16	140	-	16	33	19	39	-	5	-	18,3	3
K0671.0160X14	K0671.1160X14	160	14	-	37	20	40	5	-	16,3	-	3
K0671.0160X16	K0671.1160X16	160	-	16	37	20	40	-	5	-	18,3	3
K0671.0180X16	K0671.1180X16	180	16	-	36	22	43	5	-	18,3	-	3
K0671.0180X18	K0671.1180X18	180	-	18	36	22	43	-	6	-	20,8	3
K0671.0200X18	K0671.1200X18	200	18	-	38	24	45	6	-	20,8	-	3
K0671.0200X22	K0671.1200X22	200	-	22	38	24	45	-	6	-	24,8	3
K0671.0250X22	K0671.1250X22	250	22	-	46	28	50	6	-	24,8	-	5
K0671.0250X26	K0671.1250X26	250	-	26	46	28	50	-	8	-	29,3	5
K0671.0315X26	K0671.1315X26	315	26	-	54	33	56	8	-	29,3	-	5
K0671.0315X30	K0671.1315X30	315	-	30	54	33	56	-	8	-	33,3	5
K0671.0400X30	K0671.1400X30	400	30	-	68	38	63	8	-	33,3	-	5
K0671.0400X34	K0671.1400X34	400	-	34	68	38	63	-	10	-	37,3	5
K0671.0500X34	K0671.1500X34	500	34	-	79	45	72	10	-	37,3	-	5
K0671.0500X40	K0671.1500X40	500	-	40	79	45	72	-	12	-	43,3	5



# Handwheels

DIN 950 grey cast iron

## KIPP Handwheels DIN 950 grey cast iron, with fixed grip

Order No. without slot	Order No. with slot	D1	D2 series 1	D2 series 2	D3	L1	L3	B3 series 1	B3 series 2	T series 1	T series 2	No.of spokes	fixed grip DIN 39 Form E
K0671.2080X10	K0671.3080X10	80	10	-	25	16	29	3	-	11,4	-	3	ø16 x M6 x 50
K0671.2080X12	K0671.3080X12	80	-	12	25	16	29	-	4	-	13,8	3	ø16 x M6 x 50
K0671.2100X10	K0671.3100X10	100	10	-	26	17	33	3	-	11,4	-	3	ø16 x M6 x 50
K0671.2100X12	K0671.3100X12	100	-	12	26	17	33	-	4	-	13,8	3	ø16 x M6 x 50
K0671.2125X12	K0671.3125X12	125	12	-	33	18	36	4	-	13,8	-	3	ø20 x M8 x 64
K0671.2125X14	K0671.3125X14	125	-	14	33	18	36	-	5	-	16,3	3	ø20 x M8 x 64
K0671.2140X14	K0671.3140X14	140	14	-	33	19	39	5	-	16,3	-	3	ø20 x M8 x 64
K0671.2140X16	K0671.3140X16	140	-	16	33	19	39	-	5	-	18,3	3	ø20 x M8 x 64
K0671.2160X14	K0671.3160X14	160	14	-	37	20	40	5	-	16,3	-	3	ø25 x M10 x 80
K0671.2160X16	K0671.3160X16	160	-	16	37	20	40	-	5	-	18,3	3	ø25 x M10 x 80
K0671.2180X16	K0671.3180X16	180	16	-	36	22	43	5	-	18,3	-	3	ø25 x M10 x 80
K0671.2180X18	K0671.3180X18	180	-	18	36	22	43	-	6	-	20,8	3	ø25 x M10 x 80
K0671.2200X18	K0671.3200X18	200	18	-	38	24	45	6	-	20,8	-	3	ø25 x M10 x 80
K0671.2200X22	K0671.3200X22	200	-	22	38	24	45	-	6	-	24,8	3	ø25 x M10 x 80
K0671.2250X22	K0671.3250X22	250	22	-	46	28	50	6	-	24,8	-	5	ø32 x M12 x 100
K0671.2250X26	K0671.3250X26	250	-	26	46	28	50	-	8	-	29,3	5	ø32 x M12 x 100
K0671.2315X26	K0671.3315X26	315	26	-	54	33	56	8	-	29,3	-	5	ø32 x M12 x 100
K0671.2315X30	K0671.3315X30	315	-	30	54	33	56	-	8	-	33,3	5	ø32 x M12 x 100
K0671.2400X30	K0671.3400X30	400	30	-	68	38	63	8	-	33,3	-	5	ø36 x M16 x 112
K0671.2400X34	K0671.3400X34	400	-	34	68	38	63	-	10	-	37,3	5	ø36 x M16 x 112
K0671.2500X34	K0671.3500X34	500	34	-	79	45	72	10	-	37,3	-	5	ø36 x M16 x 112
K0671.2500X40	K0671.3500X40	500	-	40	79	45	72	-	12	-	43,3	5	ø36 x M16 x 112

## KIPP Handwheels DIN 950 grey cast iron, with revolving grip

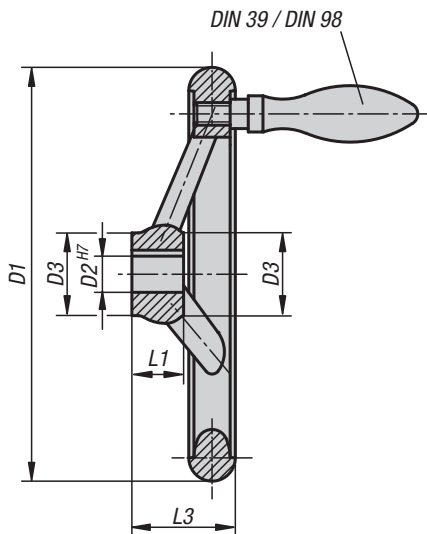
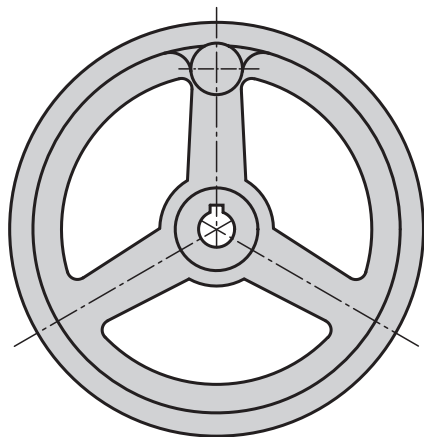
Order No. without slot	Order No. with slot	D1	D2 series 1	D2 series 2	D3	L1	L3	B3 series 1	B3 series 2	T series 1	T series 2	No.of spokes	revolving grip DIN 98 Form E
K0671.4080X10	K0671.5080X10	80	10	-	25	16	29	3	-	11,4	-	3	ø16 x M6 x 54,5
K0671.4080X12	K0671.5080X12	80	-	12	25	16	29	-	4	-	13,8	3	ø16 x M6 x 54,5
K0671.4100X10	K0671.5100X10	100	10	-	26	17	33	3	-	11,4	-	3	ø16 x M6 x 54,5
K0671.4100X12	K0671.5100X12	100	-	12	26	17	33	-	4	-	13,8	3	ø16 x M6 x 54,5
K0671.4125X12	K0671.5125X12	125	12	-	33	18	36	4	-	13,8	-	3	ø20 x M8 x 67
K0671.4125X14	K0671.5125X14	125	-	14	33	18	36	-	5	-	16,3	3	ø20 x M8 x 67
K0671.4140X14	K0671.5140X14	140	14	-	33	19	39	5	-	16,3	-	3	ø20 x M8 x 67
K0671.4140X16	K0671.5140X16	140	-	16	33	19	39	-	5	-	18,3	3	ø20 x M8 x 67
K0671.4160X14	K0671.5160X14	160	14	-	37	20	40	5	-	16,3	-	3	ø25 x M10 x 83
K0671.4160X16	K0671.5160X16	160	-	16	37	20	40	-	5	-	18,3	3	ø25 x M10 x 83
K0671.4180X16	K0671.5180X16	180	16	-	36	22	43	5	-	18,3	-	3	ø25 x M10 x 83
K0671.4180X18	K0671.5180X18	180	-	18	36	22	43	-	6	-	20,8	3	ø25 x M10 x 83
K0671.4200X18	K0671.5200X18	200	18	-	38	24	45	6	-	20,8	-	3	ø25 x M10 x 83
K0671.4200X22	K0671.5200X22	200	-	22	38	24	45	-	6	-	24,8	3	ø25 x M10 x 83
K0671.4250X22	K0671.5250X22	250	22	-	46	28	50	6	-	24,8	-	5	ø32 x M12 x 105,5
K0671.4250X26	K0671.5250X26	250	-	26	46	28	50	-	8	-	29,3	5	ø32 x M12 x 105,5
K0671.4315X26	K0671.5315X26	315	26	-	54	33	56	8	-	29,3	-	5	ø32 x M12 x 105,5
K0671.4315X30	K0671.5315X30	315	-	30	54	33	56	-	8	-	33,3	5	ø32 x M12 x 105,5
K0671.4400X30	K0671.5400X30	400	30	-	68	38	63	8	-	33,3	-	5	ø36 x M16 x 117
K0671.4400X34	K0671.5400X34	400	-	34	68	38	63	-	10	-	37,3	5	ø36 x M16 x 117
K0671.4500X34	K0671.5500X34	500	34	-	79	45	72	10	-	37,3	-	5	ø36 x M16 x 117
K0671.4500X40	K0671.5500X40	500	-	40	79	45	72	-	12	-	43,3	5	ø36 x M16 x 117



# K0160

## Handwheels

DIN 950, aluminium



**Material:**

Handwheel aluminium.  
Fixed grip aluminium, axle part steel, black oxidised.  
Revolving grip aluminium, axle part galvanized and blue passivated steel.

**Version:**

Wheel rim turned and polished.  
Radial and axial run-out of rim < IT 12.

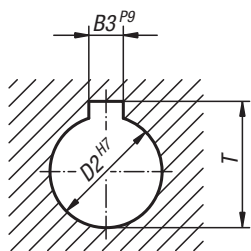
**Sample order:**

K0160.4080X10

**On request:**

Hubs with square socket or plastic-coated handwheels.

DIN 6885-1



### KIPP Handwheels DIN 950 aluminium, without grip

Order No. without slot	Order No. with slot	D1	D2 series 1	D2 series 2	D3	L1	L3	B3 series 1	B3 series 2	T series 1	T series 2	No. of spokes
K0160.0080X10	K0160.1080X10	80	10	-	25	16	29	3	-	11,4	-	3
K0160.0080X12	K0160.1080X12	80	-	12	25	16	29	-	4	-	13,8	3
K0160.0100X10	K0160.1100X10	100	10	-	29	17	33	3	-	11,4	-	3
K0160.0100X12	K0160.1100X12	100	-	12	29	17	33	-	4	-	13,8	3
K0160.0125X12	K0160.1125X12	125	12	-	31	18	36	4	-	13,8	-	3
K0160.0125X14	K0160.1125X14	125	-	14	31	18	36	-	5	-	16,3	3
K0160.0140X14	K0160.1140X14	140	14	-	36	19	39	5	-	16,3	-	3
K0160.0140X16	K0160.1140X16	140	-	16	36	19	39	-	5	-	18,3	3
K0160.0160X14	K0160.1160X14	160	14	-	36	20	40	5	-	16,3	-	3
K0160.0160X16	K0160.1160X16	160	-	16	36	20	40	-	5	-	18,3	3
K0160.0180X16	K0160.1180X16	180	16	-	37	22	43	5	-	18,3	-	3
K0160.0180X18	K0160.1180X18	180	-	18	37	22	43	-	6	-	20,8	3
K0160.0200X18	K0160.1200X18	200	18	-	43	24	45	6	-	20,8	-	3
K0160.0200X22	K0160.1200X22	200	-	22	43	24	45	-	6	-	24,8	3
K0160.0250X22	K0160.1250X22	250	22	-	49	28	50	6	-	24,8	-	5
K0160.0250X26	K0160.1250X26	250	-	26	49	28	50	-	8	-	29,3	5
K0160.0315X26	K0160.1315X26	315	26	-	54	33	56	8	-	29,3	-	5
K0160.0315X30	K0160.1315X30	315	-	30	54	33	56	-	8	-	33,3	5
K0160.0400X30	K0160.1400X30	400	30	-	65	38	63	8	-	33,3	-	5
K0160.0400X34	K0160.1400X34	400	-	34	65	38	63	-	10	-	37,3	5
K0160.0500X34	K0160.1500X34	500	34	-	79	45	72	10	-	37,3	-	5
K0160.0500X40	K0160.1500X40	500	-	40	79	45	72	-	12	-	43,3	5





# Handwheels

DIN 950, aluminium

## KIPP Handwheels DIN 950 aluminium, with fixed grip

Order No. without slot	Order No. with slot	D1	D2 series 1	D2 series 2	D3	L1	L3	B3 series 1	B3 series 2	T series 1	T series 2	No.of spokes	fixed grip DIN 39 Form E
K0160.2080X10	K0160.3080X10	80	10	-	25	16	29	3	-	11,4	-	3	ø16 x M6 x 50
K0160.2080X12	K0160.3080X12	80	-	12	25	16	29	-	4	-	13,8	3	ø16 x M6 x 50
K0160.2100X10	K0160.3100X10	100	10	-	29	17	33	3	-	11,4	-	3	ø16 x M6 x 50
K0160.2100X12	K0160.3100X12	100	-	12	29	17	33	-	4	-	13,8	3	ø16 x M6 x 50
K0160.2125X12	K0160.3125X12	125	12	-	31	18	36	4	-	13,8	-	3	ø20 x M8 x 64
K0160.2125X14	K0160.3125X14	125	-	14	31	18	36	-	5	-	16,3	3	ø20 x M8 x 64
K0160.2140X14	K0160.3140X14	140	14	-	36	19	39	5	-	16,3	-	3	ø20 x M8 x 64
K0160.2140X16	K0160.3140X16	140	-	16	36	19	39	-	5	-	18,3	3	ø20 x M8 x 64
K0160.2160X14	K0160.3160X14	160	14	-	36	20	40	5	-	16,3	-	3	ø25 x M10 x 80
K0160.2160X16	K0160.3160X16	160	-	16	36	20	40	-	5	-	18,3	3	ø25 x M10 x 80
K0160.2180X16	K0160.3180X16	180	16	-	37	22	43	5	-	18,3	-	3	ø25 x M10 x 80
K0160.2180X18	K0160.3180X18	180	-	18	37	22	43	-	6	-	20,8	3	ø25 x M10 x 80
K0160.2200X18	K0160.3200X18	200	18	-	43	24	45	6	-	20,8	-	3	ø25 x M10 x 80
K0160.2200X22	K0160.3200X22	200	-	22	43	24	45	-	6	-	24,8	3	ø25 x M10 x 80
K0160.2250X22	K0160.3250X22	250	22	-	49	28	50	6	-	24,8	-	5	ø32 x M12 x 100
K0160.2250X26	K0160.3250X26	250	-	26	49	28	50	-	8	-	29,3	5	ø32 x M12 x 100
K0160.2315X26	K0160.3315X26	315	26	-	54	33	56	8	-	29,3	-	5	ø32 x M12 x 100
K0160.2315X30	K0160.3315X30	315	-	30	54	33	56	-	8	-	33,3	5	ø32 x M12 x 100
K0160.2400X30	K0160.3400X30	400	30	-	65	38	63	8	-	33,3	-	5	ø36 x M16 x 112
K0160.2400X34	K0160.3400X34	400	-	34	65	38	63	-	10	-	37,3	5	ø36 x M16 x 112
K0160.2500X34	K0160.3500X34	500	34	-	79	45	72	10	-	37,3	-	5	ø36 x M16 x 112
K0160.2500X40	K0160.3500X40	500	-	40	79	45	72	-	12	-	43,3	5	ø36 x M16 x 112

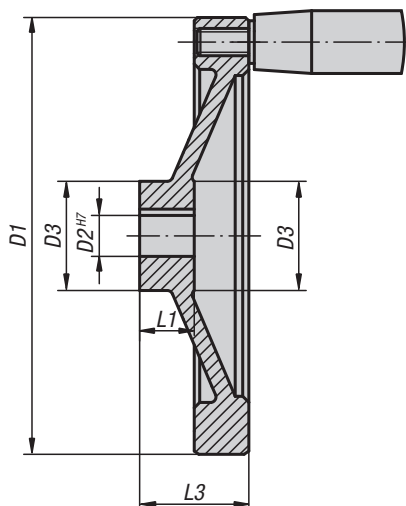
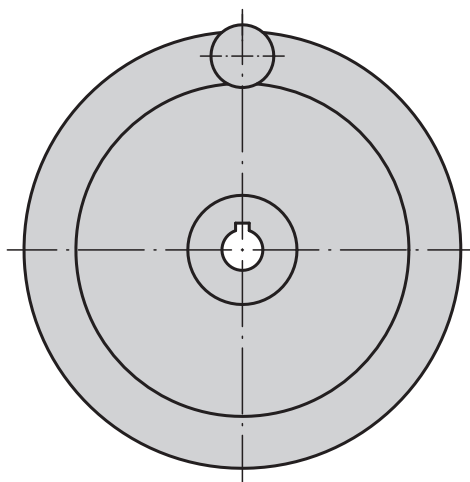
## KIPP Handwheels DIN 950 aluminium, with revolving grip

Order No. without slot	Order No. with slot	D1	D2 series 1	D2 series 2	D3	L1	L3	B3 series 1	B3 series 2	T series 1	T series 2	No.of spokes	revolving grip DIN 98 Form E
K0160.4080X10	K0160.5080X10	80	10	-	25	16	29	3	-	11,4	-	3	ø16 x M6 x 54,5
K0160.4080X12	K0160.5080X12	80	-	12	25	16	29	-	4	-	13,8	3	ø16 x M6 x 54,5
K0160.4100X10	K0160.5100X10	100	10	-	29	17	33	3	-	11,4	-	3	ø16 x M6 x 54,5
K0160.4100X12	K0160.5100X12	100	-	12	29	17	33	-	4	-	13,8	3	ø16 x M6 x 54,5
K0160.4125X12	K0160.5125X12	125	12	-	31	18	36	4	-	13,8	-	3	ø20 x M8 x 67
K0160.4125X14	K0160.5125X14	125	-	14	31	18	36	-	5	-	16,3	3	ø20 x M8 x 67
K0160.4140X14	K0160.5140X14	140	14	-	36	19	39	5	-	16,3	-	3	ø20 x M8 x 67
K0160.4140X16	K0160.5140X16	140	-	16	36	19	39	-	5	-	18,3	3	ø20 x M8 x 67
K0160.4160X14	K0160.5160X14	160	14	-	36	20	40	5	-	16,3	-	3	ø25 x M10 x 83
K0160.4160X16	K0160.5160X16	160	-	16	36	20	40	-	5	-	18,3	3	ø25 x M10 x 83
K0160.4180X16	K0160.5180X16	180	16	-	37	22	43	5	-	18,3	-	3	ø25 x M10 x 83
K0160.4180X18	K0160.5180X18	180	-	18	37	22	43	-	6	-	20,8	3	ø25 x M10 x 83
K0160.4200X18	K0160.5200X18	200	18	-	43	24	45	6	-	20,8	-	3	ø25 x M10 x 83
K0160.4200X22	K0160.5200X22	200	-	22	43	24	45	-	6	-	24,8	3	ø25 x M10 x 83
K0160.4250X22	K0160.5250X22	250	22	-	49	28	50	6	-	24,8	-	5	ø32 x M12 x 105,5
K0160.4250X26	K0160.5250X26	250	-	26	49	28	50	-	8	-	29,3	5	ø32 x M12 x 105,5
K0160.4315X26	K0160.5315X26	315	26	-	54	33	56	8	-	29,3	-	5	ø32 x M12 x 105,5
K0160.4315X30	K0160.5315X30	315	-	30	54	33	56	-	8	-	33,3	5	ø32 x M12 x 105,5
K0160.4400X30	K0160.5400X30	400	30	-	65	38	63	8	-	33,3	-	5	ø36 x M16 x 117
K0160.4400X34	K0160.5400X34	400	-	34	65	38	63	-	10	-	37,3	5	ø36 x M16 x 117
K0160.4500X34	K0160.5500X34	500	34	-	79	45	72	10	-	37,3	-	5	ø36 x M16 x 117
K0160.4500X40	K0160.5500X40	500	-	40	79	45	72	-	12	-	43,3	5	ø36 x M16 x 117

# K0161

## Handwheels disc

aluminium



**Material:**

Disc handwheel aluminium.  
Cylinder grip black Duroplast PF 31-DIN 7708.  
Hub galvanized steel.

**Version:**

Wheel rim turned and polished.  
Radial and axial run-out of rim < IT 12.

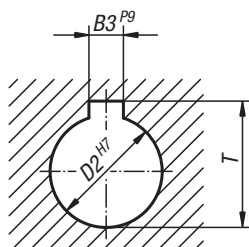
**Sample order:**

K0161.4080X10

**On request:**

Hubs with square socket or plastic-coated handwheels.

DIN 6885-1



### KIPP Handwheels disc, aluminium, without grip

Order No. without slot	Order No. with slot	D1	D2 series 1	D2 series 2	D3	L1	L3	B3 series 1	B3 series 2	T series 1	T series 2
K0161.0080X10	K0161.1080X10	80	10	-	26	16	31	3	-	11,4	-
K0161.0080X12	K0161.1080X12	80	-	12	26	16	31	-	4	-	13,8
K0161.0100X10	K0161.1100X10	100	10	-	31	17	34	3	-	11,4	-
K0161.0100X12	K0161.1100X12	100	-	12	31	17	34	-	4	-	13,8
K0161.0125X12	K0161.1125X12	125	12	-	30	18	37	4	-	13,8	-
K0161.0125X14	K0161.1125X14	125	-	14	30	18	37	-	5	-	16,3
K0161.0140X14	K0161.1140X14	140	14	-	34	19	34	5	-	16,3	-
K0161.0140X15	K0161.1140X15	140	-	15	34	19	34	-	5	-	17,3
K0161.0160X15	K0161.1160X15	160	15	-	40	20	40	5	-	17,3	-
K0161.0160X16	K0161.1160X16	160	-	16	40	20	40	-	5	-	18,3
K0161.0200X18	K0161.1200X18	200	18	-	50	24	46	6	-	20,8	-
K0161.0200X20	K0161.1200X20	200	-	20	50	24	46	-	6	-	22,8
K0161.0250X22	K0161.1250X22	250	22	-	50	28	49	6	-	24,8	-
K0161.0250X24	K0161.1250X24	250	-	24	50	28	49	-	8	-	27,3

## Handwheels disc

aluminium



## KIPP Handwheels disc, aluminium, with fixed cylinder grip

Order No. without slot	Order No. with slot	D1	D2 series 1	D2 series 2	D3	L1	L3	B3 series 1	B3 series 2	T series 1	T series 2	Fixed cylinder grip
K0161.2080X10	K0161.3080X10	80	10	-	26	16	31	3	-	11,4	-	ø18 x M6 x 40
K0161.2080X12	K0161.3080X12	80	-	12	26	16	31	-	4	-	13,8	ø18 x M6 x 40
K0161.2100X10	K0161.3100X10	100	10	-	31	17	34	3	-	11,4	-	ø18 x M6 x 40
K0161.2100X12	K0161.3100X12	100	-	12	31	17	34	-	4	-	13,8	ø18 x M6 x 40
K0161.2125X12	K0161.3125X12	125	12	-	30	18	37	4	-	13,8	-	ø21 x M8 x 50
K0161.2125X14	K0161.3125X14	125	-	14	30	18	37	-	5	-	16,3	ø21 x M8 x 50
K0161.2140X14	K0161.3140X14	140	14	-	34	19	34	5	-	16,3	-	ø21 x M8 x 50
K0161.2140X15	K0161.3140X15	140	-	15	34	19	34	-	5	-	17,3	ø21 x M8 x 50
K0161.2160X15	K0161.3160X15	160	15	-	40	20	40	5	-	17,3	-	ø26 x M10 x 80
K0161.2160X16	K0161.3160X16	160	-	16	40	20	40	-	5	-	18,3	ø26 x M10 x 80
K0161.2200X18	K0161.3200X18	200	18	-	50	24	46	6	-	20,8	-	ø26 x M10 x 80
K0161.2200X20	K0161.3200X20	200	-	20	50	24	46	-	6	-	22,8	ø26 x M10 x 80
K0161.2250X22	K0161.3250X22	250	22	-	50	28	49	6	-	24,8	-	ø28 x M12 x 90
K0161.2250X24	K0161.3250X24	250	-	24	50	28	49	-	8	-	27,3	ø28 x M12 x 90

## KIPP Handwheels disc, aluminium, with revolving cylinder grip

Order No. without slot	Order No. with slot	D1	D2 series 1	D2 series 2	D3	L1	L3	B3 series 1	B3 series 2	T series 1	T series 2	Revolving cylinder grip
K0161.4080X10	K0161.5080X10	80	10	-	26	16	31	3	-	11,4	-	ø18 x M6 x 40
K0161.4080X12	K0161.5080X12	80	-	12	26	16	31	-	4	-	13,8	ø18 x M6 x 40
K0161.4100X10	K0161.5100X10	100	10	-	31	17	34	3	-	11,4	-	ø18 x M6 x 40
K0161.4100X12	K0161.5100X12	100	-	12	31	17	34	-	4	-	13,8	ø18 x M6 x 40
K0161.4125X12	K0161.5125X12	125	12	-	30	18	37	4	-	13,8	-	ø22 x M8 x 56
K0161.4125X14	K0161.5125X14	125	-	14	30	18	37	-	5	-	16,3	ø22 x M8 x 56
K0161.4140X14	K0161.5140X14	140	14	-	34	19	34	5	-	16,3	-	ø22 x M8 x 56
K0161.4140X15	K0161.5140X15	140	-	15	34	19	34	-	5	-	17,3	ø22 x M8 x 56
K0161.4160X15	K0161.5160X15	160	15	-	40	20	40	5	-	17,3	-	ø26 x M10 x 80
K0161.4160X16	K0161.5160X16	160	-	16	40	20	40	-	5	-	18,3	ø26 x M10 x 80
K0161.4200X18	K0161.5200X18	200	18	-	50	24	46	6	-	20,8	-	ø26 x M10 x 80
K0161.4200X20	K0161.5200X20	200	-	20	50	24	46	-	6	-	22,8	ø26 x M10 x 80
K0161.4250X22	K0161.5250X22	250	22	-	50	28	49	6	-	24,8	-	ø31 x M12 x 102
K0161.4250X24	K0161.5250X24	250	-	24	50	28	49	-	8	-	27,3	ø31 x M12 x 102

# Handwheels disc

aluminium



**Material:**

Disc handwheel aluminium.  
Cylinder grip black Duroplast PF 31-DIN 7708.  
Hub galvanized steel.

**Version:**

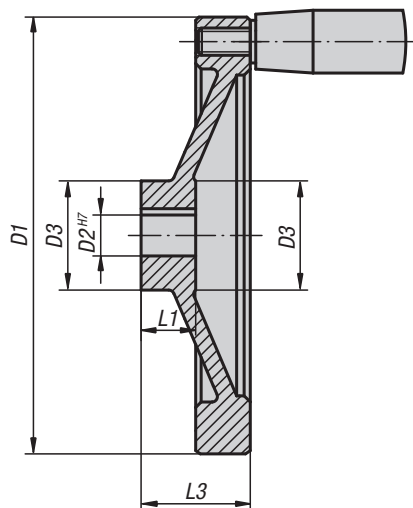
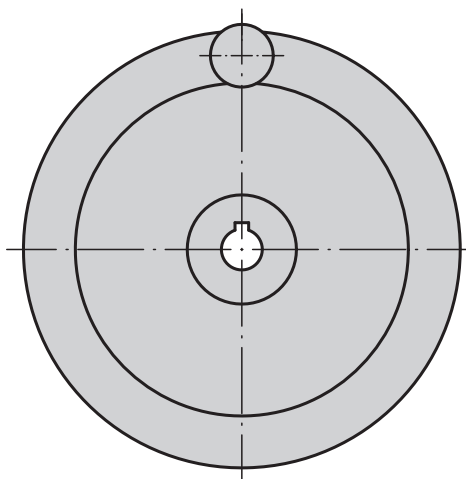
Black, powder-coated.  
Wheel rim turned.  
Radial and axial run-out of rim < IT 12.

**Sample order:**

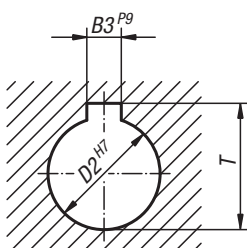
K0161.01080X10

**On request:**

Hubs with square socket.



DIN 6885-1



## KIPP Handwheels disc, aluminium, without grip

Order No. without slot	Order No. with slot	D1	D2 series 1	D2 series 2	D3	L1	L3	B3 series 1	B3 series 2	T series 1	T series 2
K0161.01080X10	K0161.11080X10	80	10	-	26	16	31	3	-	11,4	-
K0161.01080X12	K0161.11080X12	80	-	12	26	16	31	-	4	-	13,8
K0161.01100X10	K0161.11100X10	100	10	-	31	17	34	3	-	11,4	-
K0161.01100X12	K0161.11100X12	100	-	12	31	17	34	-	4	-	13,8
K0161.01125X12	K0161.11125X12	125	12	-	30	18	37	4	-	13,8	-
K0161.01125X14	K0161.11125X14	125	-	14	30	18	37	-	5	-	16,3
K0161.01140X14	K0161.11140X14	140	14	-	34	19	34	5	-	16,3	-
K0161.01140X15	K0161.11140X15	140	-	15	34	19	34	-	5	-	17,3
K0161.01160X15	K0161.11160X15	160	15	-	40	20	40	5	-	17,3	-
K0161.01160X16	K0161.11160X16	160	-	16	40	20	40	-	5	-	18,3
K0161.01200X18	K0161.11200X18	200	18	-	50	24	46	6	-	20,8	-
K0161.01200X20	K0161.11200X20	200	-	20	50	24	46	-	6	-	22,8
K0161.01250X22	K0161.11250X22	250	22	-	50	28	49	6	-	24,8	-
K0161.01250X24	K0161.11250X24	250	-	24	50	28	49	-	8	-	27,3

## Handwheels disc

aluminium



## KIPP Handwheels disc, aluminium, with fixed cylinder grip

Order No. without slot	Order No. with slot	D1	D2 series 1	D2 series 2	D3	L1	L3	B3 series 1	B3 series 2	T series 1	T series 2	Fixed cylinder grip
K0161.21080X10	K0161.31080X10	80	10	-	26	16	31	3	-	11,4	-	ø18 x M6 x 40
K0161.21080X12	K0161.31080X12	80	-	12	26	16	31	-	4	-	13,8	ø18 x M6 x 40
K0161.21100X10	K0161.31100X10	100	10	-	31	17	34	3	-	11,4	-	ø18 x M6 x 40
K0161.21100X12	K0161.31100X12	100	-	12	31	17	34	-	4	-	13,8	ø18 x M6 x 40
K0161.21125X12	K0161.31125X12	125	12	-	30	18	37	4	-	13,8	-	ø21 x M8 x 50
K0161.21125X14	K0161.31125X14	125	-	14	30	18	37	-	5	-	16,3	ø21 x M8 x 50
K0161.21140X14	K0161.31140X14	140	14	-	34	19	34	5	-	16,3	-	ø21 x M8 x 50
K0161.21140X15	K0161.31140X15	140	-	15	34	19	34	-	5	-	17,3	ø21 x M8 x 50
K0161.21160X15	K0161.31160X15	160	15	-	40	20	40	5	-	17,3	-	ø26 x M10 x 80
K0161.21160X16	K0161.31160X16	160	-	16	40	20	40	-	5	-	18,3	ø26 x M10 x 80
K0161.21200X18	K0161.31200X18	200	18	-	50	24	46	6	-	20,8	-	ø26 x M10 x 80
K0161.21200X20	K0161.31200X20	200	-	20	50	24	46	-	6	-	22,8	ø26 x M10 x 80
K0161.21250X22	K0161.31250X22	250	22	-	50	28	49	6	-	24,8	-	ø28 x M12 x 90
K0161.21250X24	K0161.31250X24	250	-	24	50	28	49	-	8	-	27,3	ø28 x M12 x 90

## KIPP Handwheels disc, aluminium, with revolving cylinder grip

Order No. without slot	Order No. with slot	D1	D2 series 1	D2 series 2	D3	L1	L3	B3 series 1	B3 series 2	T series 1	T series 2	Revolving cylinder grip
K0161.41080X10	K0161.51080X10	80	10	-	26	16	31	3	-	11,4	-	ø18 x M6 x 40
K0161.41080X12	K0161.51080X12	80	-	12	26	16	31	-	4	-	13,8	ø18 x M6 x 40
K0161.41100X10	K0161.51100X10	100	10	-	31	17	34	3	-	11,4	-	ø18 x M6 x 40
K0161.41100X12	K0161.51100X12	100	-	12	31	17	34	-	4	-	13,8	ø18 x M6 x 40
K0161.41125X12	K0161.51125X12	125	12	-	30	18	37	4	-	13,8	-	ø22 x M8 x 56
K0161.41125X14	K0161.51125X14	125	-	14	30	18	37	-	5	-	16,3	ø22 x M8 x 56
K0161.41140X14	K0161.51140X14	140	14	-	34	19	34	5	-	16,3	-	ø22 x M8 x 56
K0161.41140X15	K0161.51140X15	140	-	15	34	19	34	-	5	-	17,3	ø22 x M8 x 56
K0161.41160X15	K0161.51160X15	160	15	-	40	20	40	5	-	17,3	-	ø26 x M10 x 80
K0161.41160X16	K0161.51160X16	160	-	16	40	20	40	-	5	-	18,3	ø26 x M10 x 80
K0161.41200X18	K0161.51200X18	200	18	-	50	24	46	6	-	20,8	-	ø26 x M10 x 80
K0161.41200X20	K0161.51200X20	200	-	20	50	24	46	-	6	-	22,8	ø26 x M10 x 80
K0161.41250X22	K0161.51250X22	250	22	-	50	28	49	6	-	24,8	-	ø31 x M12 x 102
K0161.41250X24	K0161.51250X24	250	-	24	50	28	49	-	8	-	27,3	ø31 x M12 x 102

# K0162

## Handwheels 2-spoke

flat rim, aluminium



**Material:**

Handwheels aluminium.  
Cylinder grip black Duroplast PF 31-DIN 7708.  
Hub galvanized steel.

**Version:**

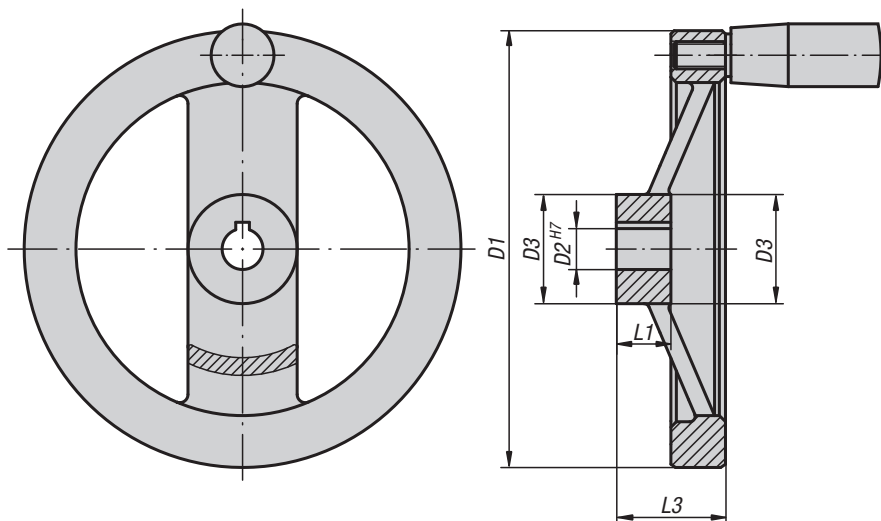
Wheel rim turned and polished.  
Radial and axial run-out of rim < IT 12.

**Sample order:**

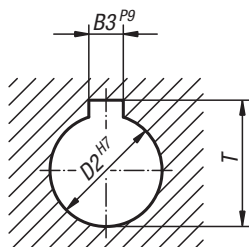
K0162.4080X10

**On request:**

Hubs with square socket or plastic-coated handwheels.



DIN 6885-1



### KIPP Handwheels 2-spoke, aluminium, flat wheel rim, without grip

Order No. without slot	Order No. with slot	D1	D2 series 1	D2 series 2	D3	L1	L3	B3 series 1	B3 series 2	T series 1	T series 2
K0162.0080X10	K0162.1080X10	80	10	-	24	16	28	3	-	11,4	-
K0162.0080X12	K0162.1080X12	80	-	12	24	16	28	-	4	-	13,8
K0162.0100X10	K0162.1100X10	100	10	-	26	17	33	3	-	11,4	-
K0162.0100X12	K0162.1100X12	100	-	12	26	17	33	-	4	-	13,8
K0162.0125X12	K0162.1125X12	125	12	-	31	18	33,5	4	-	13,8	-
K0162.0125X14	K0162.1125X14	125	-	14	31	18	33,5	-	5	-	16,3
K0162.0160X14	K0162.1160X14	160	14	-	36	20	39	5	-	16,3	-
K0162.0160X16	K0162.1160X16	160	-	16	36	20	39	-	5	-	18,3
K0162.0200X18	K0162.1200X18	200	18	-	42	24	45	6	-	20,8	-
K0162.0200X20	K0162.1200X20	200	-	20	42	24	45	-	6	-	22,8
K0162.0250X22	K0162.1250X22	250	22	-	48	28	51	6	-	24,8	-
K0162.0250X26	K0162.1250X26	250	-	26	48	28	51	-	8	-	29,3

# Handwheels 2-spoke

flat rim, aluminium



## KIPP Handwheels 2-spoke, aluminium, flat wheel rim, with fixed cylinder grip

Order No. without slot	Order No. with slot	D1	D2 series 1	D2 series 2	D3	L1	L3	B3 series 1	B3 series 2	T series 1	T series 2	Fixed cylinder grip
K0162.2080X10	K0162.3080X10	80	10	-	24	16	28	3	-	11,4	-	ø18 x M6 x 40
K0162.2080X12	K0162.3080X12	80	-	12	24	16	28	-	4	-	13,8	ø18 x M6 x 40
K0162.2100X10	K0162.3100X10	100	10	-	26	17	33	3	-	11,4	-	ø18 x M6 x 40
K0162.2100X12	K0162.3100X12	100	-	12	26	17	33	-	4	-	13,8	ø18 x M6 x 40
K0162.2125X12	K0162.3125X12	125	12	-	31	18	33,5	4	-	13,8	-	ø21 x M8 x 50
K0162.2125X14	K0162.3125X14	125	-	14	31	18	33,5	-	5	-	16,3	ø21 x M8 x 50
K0162.2160X14	K0162.3160X14	160	14	-	36	20	39	5	-	16,3	-	ø26 x M10 x 80
K0162.2160X16	K0162.3160X16	160	-	16	36	20	39	-	5	-	18,3	ø26 x M10 x 80
K0162.2200X18	K0162.3200X18	200	18	-	42	24	45	6	-	20,8	-	ø26 x M10 x 80
K0162.2200X20	K0162.3200X20	200	-	20	42	24	45	-	6	-	22,8	ø26 x M10 x 80
K0162.2250X22	K0162.3250X22	250	22	-	48	28	51	6	-	24,8	-	ø28 x M12 x 90
K0162.2250X26	K0162.3250X26	250	-	26	48	28	51	-	8	-	29,3	ø28 x M12 x 90

## KIPP Handwheels 2-spoke, aluminium, flat wheel rim, with revolving cylinder grip

Order No. without slot	Order No. with slot	D1	D2 series 1	D2 series 2	D3	L1	L3	B3 series 1	B3 series 2	T series 1	T series 2	Revolving cylinder grip
K0162.4080X10	K0162.5080X10	80	10	-	24	16	28	3	-	11,4	-	ø18 x M6 x 40
K0162.4080X12	K0162.5080X12	80	-	12	24	16	28	-	4	-	13,8	ø18 x M6 x 40
K0162.4100X10	K0162.5100X10	100	10	-	26	17	33	3	-	11,4	-	ø18 x M6 x 40
K0162.4100X12	K0162.5100X12	100	-	12	26	17	33	-	4	-	13,8	ø18 x M6 x 40
K0162.4125X12	K0162.5125X12	125	12	-	31	18	33,5	4	-	13,8	-	ø22 x M8 x 56
K0162.4125X14	K0162.5125X14	125	-	14	31	18	33,5	-	5	-	16,3	ø22 x M8 x 56
K0162.4160X14	K0162.5160X14	160	14	-	36	20	39	5	-	16,3	-	ø26 x M10 x 80
K0162.4160X16	K0162.5160X16	160	-	16	36	20	39	-	5	-	18,3	ø26 x M10 x 80
K0162.4200X18	K0162.5200X18	200	18	-	42	24	45	6	-	20,8	-	ø26 x M10 x 80
K0162.4200X20	K0162.5200X20	200	-	20	42	24	45	-	6	-	22,8	ø26 x M10 x 80
K0162.4250X22	K0162.5250X22	250	22	-	48	28	51	6	-	24,8	-	ø31 x M12 x 102
K0162.4250X26	K0162.5250X26	250	-	26	48	28	51	-	8	-	29,3	ø31 x M12 x 102



**K0162**

# Handwheels 2-spoke

flat rim, aluminium



**Material:**

Handwheels aluminium.  
Cylinder grip black Duroplast PF 31-DIN 7708.  
Hub galvanized steel.

**Version:**

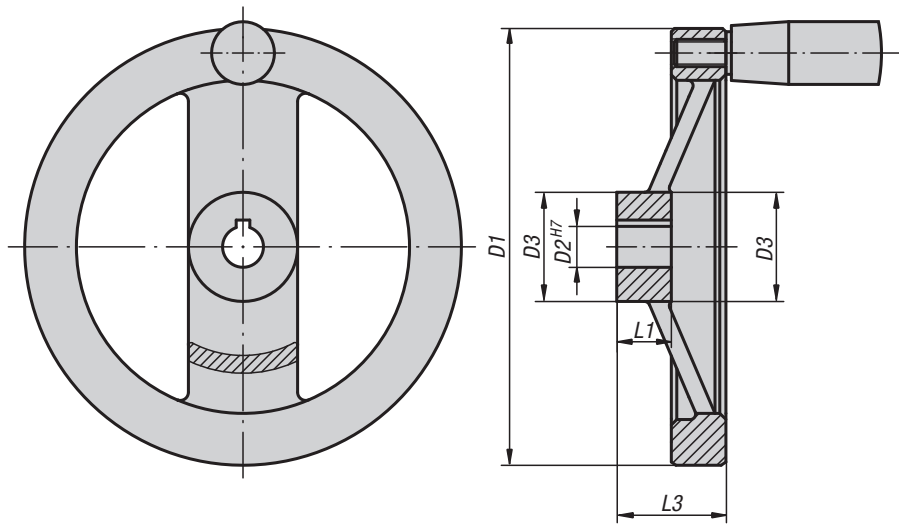
Black, powder-coated.  
Wheel rim turned.  
Radial and axial run-out of rim < IT 12.

**Sample order:**

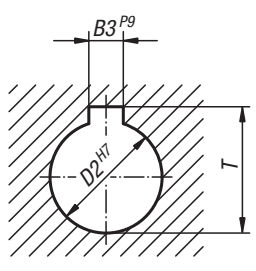
K0162.01080X10

**On request:**

Hubs with square socket.



DIN 6885-1



## KIPP Handwheels 2-spoke, aluminium, flat wheel rim, without grip

Order No. without slot	Order No. with slot	D1	D2 series 1	D2 series 2	D3	L1	L3	B3 series 1	B3 series 2	T series 1	T series 2
K0162.01080X10	K0162.11080X10	80	10	-	24	16	28	3	-	11,4	-
K0162.01080X12	K0162.11080X12	80	-	12	24	16	28	-	4	-	13,8
K0162.01100X10	K0162.11100X10	100	10	-	26	17	33	3	-	11,4	-
K0162.01100X12	K0162.11100X12	100	-	12	26	17	33	-	4	-	13,8
K0162.01125X12	K0162.11125X12	125	12	-	31	18	33,5	4	-	13,8	-
K0162.01125X14	K0162.11125X14	125	-	14	31	18	33,5	-	5	-	16,3
K0162.01160X14	K0162.11160X14	160	14	-	36	20	39	5	-	16,3	-
K0162.01160X16	K0162.11160X16	160	-	16	36	20	39	-	5	-	18,3
K0162.01200X18	K0162.11200X18	200	18	-	42	24	45	6	-	20,8	-
K0162.01200X20	K0162.11200X20	200	-	20	42	24	45	-	6	-	22,8
K0162.01250X22	K0162.11250X22	250	22	-	48	28	51	6	-	24,8	-
K0162.01250X26	K0162.11250X26	250	-	26	48	28	51	-	8	-	29,3

# Handwheels 2-spoke

flat rim, aluminium



## KIPP Handwheels 2-spoke, aluminium, flat wheel rim, with fixed cylinder grip

Order No. without slot	Order No. with slot	D1	D2 series 1	D2 series 2	D3	L1	L3	B3 series 1	B3 series 2	T series 1	T series 2	Fixed cylinder grip
K0162.21080X10	K0162.31080X10	80	10	-	24	16	28	3	-	11,4	-	ø18 x M6 x 40
K0162.21080X12	K0162.31080X12	80	-	12	24	16	28	-	4	-	13,8	ø18 x M6 x 40
K0162.21100X10	K0162.31100X10	100	10	-	26	17	33	3	-	11,4	-	ø18 x M6 x 40
K0162.21100X12	K0162.31100X12	100	-	12	26	17	33	-	4	-	13,8	ø18 x M6 x 40
K0162.21125X12	K0162.31125X12	125	12	-	31	18	33,5	4	-	13,8	-	ø21 x M8 x 50
K0162.21125X14	K0162.31125X14	125	-	14	31	18	33,5	-	5	-	16,3	ø21 x M8 x 50
K0162.21160X14	K0162.31160X14	160	14	-	36	20	39	5	-	16,3	-	ø26 x M10 x 80
K0162.21160X16	K0162.31160X16	160	-	16	36	20	39	-	5	-	18,3	ø26 x M10 x 80
K0162.21200X18	K0162.31200X18	200	18	-	42	24	45	6	-	20,8	-	ø26 x M10 x 80
K0162.21200X20	K0162.31200X20	200	-	20	42	24	45	-	6	-	22,8	ø26 x M10 x 80
K0162.21250X22	K0162.31250X22	250	22	-	48	28	51	6	-	24,8	-	ø28 x M12 x 90
K0162.21250X26	K0162.31250X26	250	-	26	48	28	51	-	8	-	29,3	ø28 x M12 x 90

## KIPP Handwheels 2-spoke, aluminium, flat wheel rim, with revolving cylinder grip

Order No. without slot	Order No. with slot	D1	D2 series 1	D2 series 2	D3	L1	L3	B3 series 1	B3 series 2	T series 1	T series 2	Revolving cylinder grip
K0162.41080X10	K0162.51080X10	80	10	-	24	16	28	3	-	11,4	-	ø18 x M6 x 40
K0162.41080X12	K0162.51080X12	80	-	12	24	16	28	-	4	-	13,8	ø18 x M6 x 40
K0162.41100X10	K0162.51100X10	100	10	-	26	17	33	3	-	11,4	-	ø18 x M6 x 40
K0162.41100X12	K0162.51100X12	100	-	12	26	17	33	-	4	-	13,8	ø18 x M6 x 40
K0162.41125X12	K0162.51125X12	125	12	-	31	18	33,5	4	-	13,8	-	ø22 x M8 x 56
K0162.41125X14	K0162.51125X14	125	-	14	31	18	33,5	-	5	-	16,3	ø22 x M8 x 56
K0162.41160X14	K0162.51160X14	160	14	-	36	20	39	5	-	16,3	-	ø26 x M10 x 80
K0162.41160X16	K0162.51160X16	160	-	16	36	20	39	-	5	-	18,3	ø26 x M10 x 80
K0162.41200X18	K0162.51200X18	200	18	-	42	24	45	6	-	20,8	-	ø26 x M10 x 80
K0162.41200X20	K0162.51200X20	200	-	20	42	24	45	-	6	-	22,8	ø26 x M10 x 80
K0162.41250X22	K0162.51250X22	250	22	-	48	28	51	6	-	24,8	-	ø31 x M12 x 102
K0162.41250X26	K0162.51250X26	250	-	26	48	28	51	-	8	-	29,3	ø31 x M12 x 102

# K0163

## Handwheels disc

similar to DIN 950, aluminium

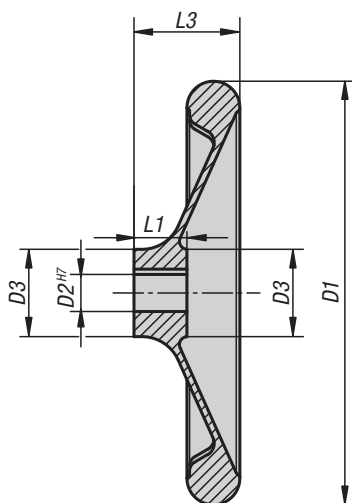
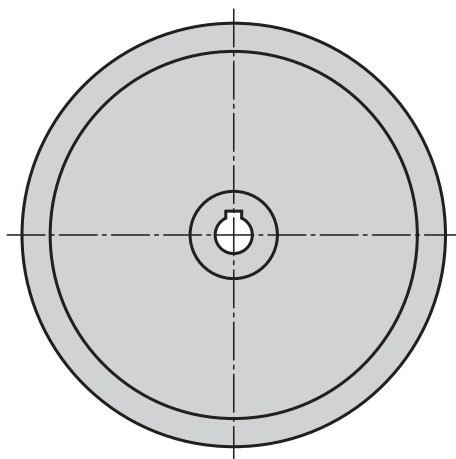


**Material:**  
Handwheel aluminium.

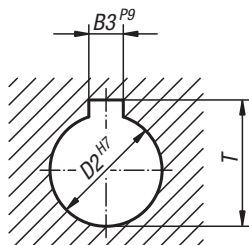
**Version:**  
Wheel rim turned and polished.  
Radial and axial run-out of rim < IT 12.

**Sample order:**  
K0163.0080X10

**On request:**  
Hubs with square socket or plastic-coated handwheels.



DIN 6885-1



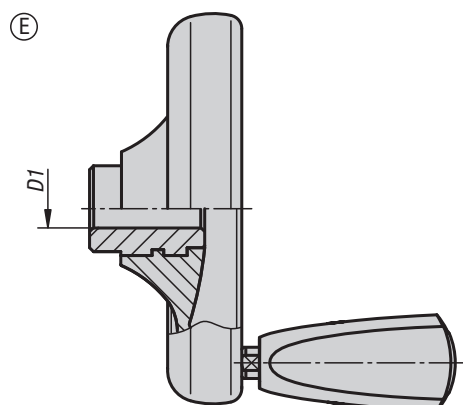
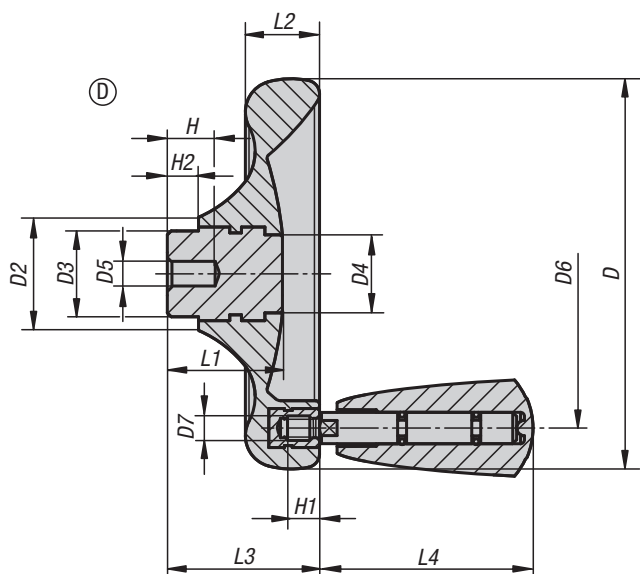
### KIPP Handwheels disc, similar to DIN 950, aluminium

Order No. without slot	Order No. with slot	D1	D2 series 1	D2 series 2	D3	L1	L3	B3 series 1	B3 series 2	T series 1	T series 2
K0163.0080X10	K0163.1080X10	80	10	-	25	16	30	3	-	11,4	-
K0163.0080X12	K0163.1080X12	80	-	12	25	16	30	-	4	-	13,8
K0163.0100X10	K0163.1100X10	100	10	-	28	17	31	3	-	11,4	-
K0163.0100X12	K0163.1100X12	100	-	12	28	17	31	-	4	-	13,8
K0163.0120X12	K0163.1120X12	120	12	-	27	18	30	4	-	13,8	-
K0163.0120X14	K0163.1120X14	120	-	14	27	18	30	-	5	-	16,3
K0163.0160X14	K0163.1160X14	160	14	-	34	20	40	5	-	16,3	-
K0163.0160X16	K0163.1160X16	160	-	16	34	20	40	-	5	-	18,3
K0163.0200X18	K0163.1200X18	200	18	-	40	24	44	6	-	20,8	-
K0163.0200X22	K0163.1200X22	200	-	22	40	24	44	-	6	-	24,8
K0163.0250X22	K0163.1250X22	250	22	-	49	28	61	6	-	24,8	-
K0163.0250X26	K0163.1250X26	250	-	26	49	28	61	-	8	-	29,3
K0163.0280X24	K0163.1280X24	280	24	-	51	30	38	8	-	27,3	-
K0163.0280X28	K0163.1280X28	280	-	28	51	30	38	-	8	-	31,3
K0163.0360X28	K0163.1360X28	360	28	-	63	35	73	8	-	31,3	-
K0163.0360X32	K0163.1360X32	360	-	32	63	35	73	-	10	-	35,3

# K0164

## Handwheels disc

with revolving grip



**Material:**

Duroplast PF 31, black.  
Hubs nickel-plated steel or bright stainless steel 1.4305.

Revolving grip, metal parts nickel-plated or stainless steel 1.4305, bright.

**Version:**

High-gloss polished.

**Sample order:**

K0164.0125X08

**Note:**

The handwheel is supplied with the grip loose.

**On request:**

Other reamed holes.

**Drawing reference:**

Form D: pre-drilled

Form E: with reamed hole

### KIPP Handwheels disc, with revolving grip

Order No. Form D	Order No. Form E	Size	D	D1	D2	D3	D4	D5	D6	D7	H	H1	H2	L1	L2	L3	L4
K0164.0100X06	K0164.1100X10	1	100	-/10 H8	29	22	20	6/-	79	M6	12/-	9	8	29,5	19	39	54,7
K0164.0125X08	K0164.1125X12	2	125	-/12 H8	34	26	21	8/-	101	M6	15/-	9	8	34	24	46	54,7
K0164.0140X08	K0164.1140X14	3	140	-/14 H8	39	30	25	8/-	110	M8	16/-	12	8	38,5	27	52	82,2
K0164.0160X10	K0164.1160X16	4	160	-/16 H8	43	33	30	10/-	128	M8	20/-	12	8	41,3	30,1	57	82,2
-	K0164.1160X18	4	160	18 H8	43	33	30	-	128	M8	-	12	8	41,3	30,1	57	82,2

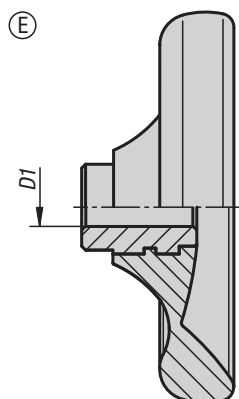
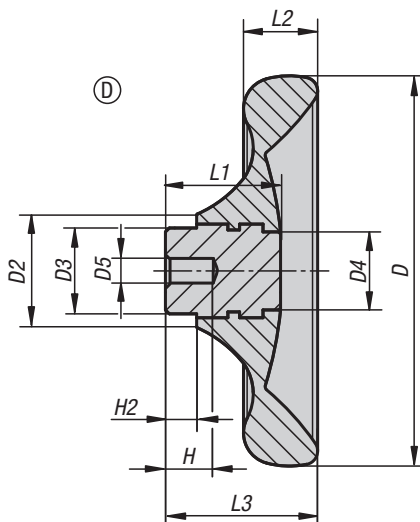
### KIPP Handwheels disc, with revolving grip, metal parts stainless steel

Order No. Form D	Order No. Form E	Size	D	D1	D2	D3	D4	D5	D6	D7	H	H1	H2	L1	L2	L3	L4
K0164.2100X06	K0164.3100X10	1	100	-/10 H7	29	22	20	6/-	79	M6	12/-	9	8	29,5	19	39	54,7
K0164.2125X08	K0164.3125X12	2	125	-/12 H7	34	26	21	8/-	101	M6	15/-	9	8	34	24	46	54,7
K0164.2140X08	K0164.3140X14	3	140	-/14 H7	39	30	25	8/-	110	M8	16/-	12	8	38,5	27	52	82,2
K0164.2160X10	K0164.3160X16	4	160	-/16 H7	43	33	30	10/-	128	M8	20/-	12	8	41,3	30,1	57	82,2
-	K0164.3160X18	4	160	18 H7	43	33	30	-	128	M8	-	12	8	41,3	30,1	57	82,2

# K0165

## Handwheels disc

without grip



**Material:**  
Black Duroplast PF 31.  
Hub nickel-plated steel or bright stainless steel 1.4305.

**Version:**  
High-gloss polished.

**Sample order:**  
K0165.0100X06

**On request:**  
Other reamed holes.

**Drawing reference:**  
Form D: pre-drilled  
Form E: with reamed hole

### KIPP Handwheels disc, without grip, bush steel

Order No. Form D	Order No. Form E	Size	D	D1	D2	D3	D4	D5	H	H2	L1	L2	L3
K0165.0100X06	K0165.1100X10	1	100	-/10 H8	29	22	20	6/-	12/-	8	29,5	19	39
K0165.0125X08	K0165.1125X12	2	125	-/12 H8	34	26	21	8/-	15/-	8	34	24	46
K0165.0140X08	K0165.1140X14	3	140	-/14 H8	39	30	25	8/-	16/-	8	38,5	27	52
K0165.0160X10	K0165.1160X16	4	160	-/16 H8	43	33	30	10/-	20/-	8	41,3	30,1	57
-	K0165.1160X18	4	160	18 H8	43	33	30	-	-	8	41,3	30,1	57

### KIPP Handwheels disc, without grip, bush stainless steel

Order No. Form D	Order No. Form E	Size	D	D1	D2	D3	D4	D5	H	H2	L1	L2	L3
K0165.2100X06	K0165.3100X10	1	100	-/10 H7	29	22	20	6/-	12/-	8	29,5	19	39
K0165.2125X08	K0165.3125X12	2	125	-/12 H7	34	26	21	8/-	15/-	8	34	24	46
K0165.2140X08	K0165.3140X14	3	140	-/14 H7	39	30	25	8/-	16/-	8	38,5	27	52
K0165.2160X10	K0165.3160X16	4	160	-/16 H7	43	33	30	10/-	20/-	8	41,3	30,1	57
-	K0165.3160X18	4	160	18 H7	43	33	30	-	-	8	41,3	30,1	57

# K0256

## Handwheels



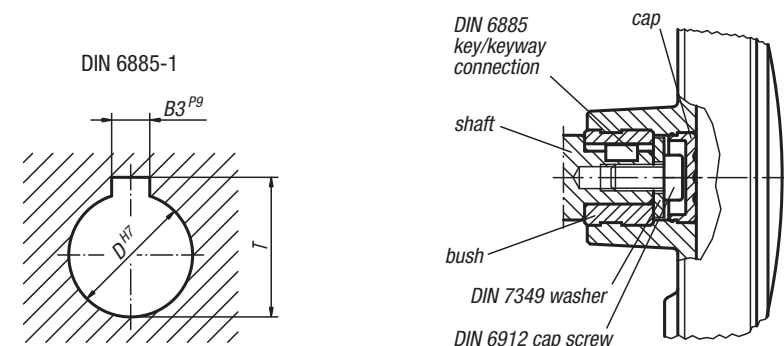
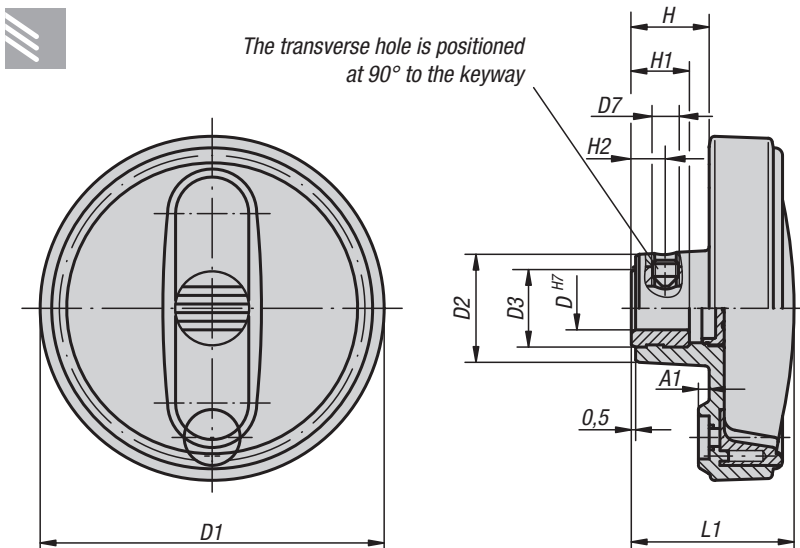
The quality of Novo-Grip handwheels is defined by precise rotation and secure grip. Novo-Grip handwheels can be mounted and safely used on high-performance products.

**Material:**  
Black grey thermoplastic.

**Version:**  
Steel parts black oxidised.

**Sample order:**  
K0256.108008

**Note:**  
The hub cap is supplied loose.  
The handwheels can be secured using a transverse pin or by parallel key connection together with a DIN 6912 socket head screw and a DIN 7349 washer.  
Versions with transverse bore are fastened using the ISO 4026 (DIN 913) grub screws.



### KIPP Handwheels

Order No. without slot	Order No. with slot	Size	D	D1	D2	D3	A1	H	H1	L1	B3	T
K0256.108008	K0256.10800802	1	8	80	25	19	2,5	17,5	13	37,5	-/2	-/9
K0256.108010	K0256.10801003	1	10	80	25	19	2,5	17,5	13	37,5	-/3	-/11,4
K0256.108012	K0256.10801204	1	12	80	25	19	2,5	17,5	13	37,5	-/4	-/13,8
K0256.210010	K0256.21001003	2	10	100	28	19	3	20	13	44	-/3	-/11,4
K0256.210012	K0256.21001204	2	12	100	28	19	3	20	13	44	-/4	-/13,8
K0256.312512	K0256.31251204	3	12	125	35	25	4	23,5	18,5	53	-/4	-/13,8
K0256.312514	K0256.31251405	3	14	125	35	25	4	23,5	18,5	53	-/5	-/16,3
K0256.312516	K0256.31251605	3	16	125	35	25	4	23,5	18,5	53	-/5	-/18,3
K0256.416014	K0256.41601405	4	14	160	45	25	5,6	28	18,5	64,5	-/5	-/16,3
K0256.416016	K0256.41601605	4	16	160	45	25	5,6	28	18,5	64,5	-/5	-/18,3

### KIPP Handwheels with transverse bore

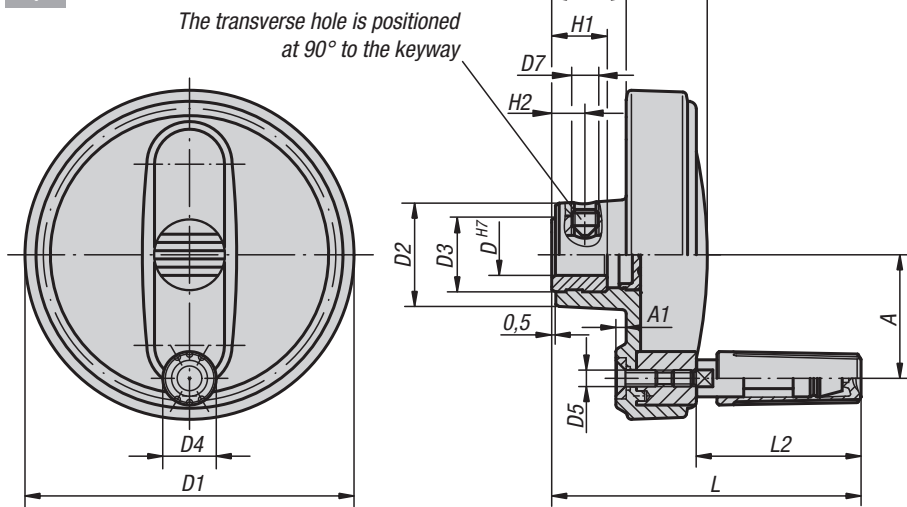
Order No. without slot	Order No. with slot	Size	D	D1	D2	D3	D7	A1	H	H1	H2	L1	B3	T
K0256.1080086	K0256.108008026	1	8	80	25	19	M6	2,5	17,5	13	7,5	37,5	-/2	-/9
K0256.1080106	K0256.108010036	1	10	80	25	19	M6	2,5	17,5	13	7,5	37,5	-/3	-/11,4
K0256.1080126	K0256.108012046	1	12	80	25	19	M6	2,5	17,5	13	7,5	37,5	-/4	-/13,8
K0256.2100106	K0256.210010036	2	10	100	28	19	M6	3	20	13	7,5	44	-/3	-/11,4
K0256.2100126	K0256.210012046	2	12	100	28	19	M6	3	20	13	7,5	44	-/4	-/13,8
K0256.3125126	K0256.312512046	3	12	125	35	25	M6	4	23,5	18,5	7,5	53	-/4	-/13,8
K0256.3125146	K0256.312514056	3	14	125	35	25	M6	4	23,5	18,5	7,5	53	-/5	-/16,3
K0256.3125166	K0256.312516056	3	16	125	35	25	M6	4	23,5	18,5	7,5	53	-/5	-/18,3
K0256.4160146	K0256.416014056	4	14	160	45	25	M6	5,6	28	18,5	7,5	64,5	-/5	-/16,3
K0256.4160166	K0256.416016056	4	16	160	45	25	M6	5,6	28	18,5	7,5	64,5	-/5	-/18,3

# K0257

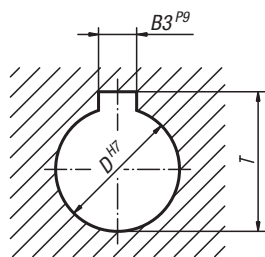


## Handwheels

with revolving grip



DIN 6885-1



**Material:**  
Black grey thermoplastic.

**Version:**  
Steel parts black oxidised.

**Sample order:**  
K0257.108008

**Note:**  
The hub cover and the revolving cylinder grip are supplied unassembled. To assemble, screw the grip into the tapped hole.  
The handwheels can be secured using a transverse pin or by parallel key connection together with a DIN 6912 socket head screw and a DIN 7349 washer.  
Versions with transverse bore are secured using the ISO 4026 (DIN 913) grub screw.

### KIPP Handwheels with revolving cylinder grip

Order No. without slot	Order No. with slot	Size	D	D1	D2	D3	D4	D5	A	A1	H	H1	L	L1	L2	B3	T
K0257.108008	K0257.10800802	1	8	80	25	19	13	M4	30	2,5	17,5	13	75	37,5	40	-/2	-/9
K0257.108010	K0257.10801003	1	10	80	25	19	13	M4	30	2,5	17,5	13	75	37,5	40	-/3	-/11,4
K0257.108012	K0257.10801204	1	12	80	25	19	13	M4	30	2,5	17,5	13	75	37,5	40	-/4	-/13,8
K0257.210010	K0257.21001003	2	10	100	28	19	16	M5	38	3	20	13	90	44	49,5	-/3	-/11,4
K0257.210012	K0257.21001204	2	12	100	28	19	16	M5	38	3	20	13	90	44	49,5	-/4	-/13,8
K0257.312512	K0257.31251204	3	12	125	35	25	20	M6	47,5	4	23,5	18,5	109	53	60	-/4	-/13,8
K0257.312514	K0257.31251405	3	14	125	35	25	20	M6	47,5	4	23,5	18,5	109	53	60	-/5	-/16,3
K0257.312516	K0257.31251605	3	16	125	35	25	20	M6	47,5	4	23,5	18,5	109	53	60	-/5	-/18,3
K0257.416014	K0257.41601405	4	14	160	45	25	25	M8	62	5,6	28	18,5	144	64,5	83,5	-/5	-/16,3
K0257.416016	K0257.41601605	4	16	160	45	25	25	M8	62	5,6	28	18,5	144	64,5	83,5	-/5	-/18,3

### KIPP Handwheels with revolving cylinder grip with transverse bore

Order No. without slot	Order No. with slot	Size	D	D1	D2	D3	D4	D5	D7	A	A1	H	H1	H2	L	L1	L2	B3	T
K0257.1080086	K0257.108008026	1	8	80	25	19	13	M4	M6	30	2,5	17,5	13	7,5	75	37,5	40	-/2	-/9
K0257.1080106	K0257.108010036	1	10	80	25	19	13	M4	M6	30	2,5	17,5	13	7,5	75	37,5	40	-/3	-/11,4
K0257.1080126	K0257.108012046	1	12	80	25	19	13	M4	M6	30	2,5	17,5	13	7,5	75	37,5	40	-/4	-/13,8
K0257.2100106	K0257.210010036	2	10	100	28	19	16	M5	M6	38	3	20	13	7,5	90	44	49,5	-/3	-/11,4
K0257.2100126	K0257.210012046	2	12	100	28	19	16	M5	M6	38	3	20	13	7,5	90	44	49,5	-/4	-/13,8
K0257.3125126	K0257.312512046	3	12	125	35	25	20	M6	M6	47,5	4	23,5	18,5	7,5	109	53	60	-/4	-/13,8
K0257.3125146	K0257.312514056	3	14	125	35	25	20	M6	M6	47,5	4	23,5	18,5	7,5	109	53	60	-/5	-/16,3
K0257.3125166	K0257.312516056	3	16	125	35	25	20	M6	M6	47,5	4	23,5	18,5	7,5	109	53	60	-/5	-/18,3
K0257.4160146	K0257.416014056	4	14	160	45	25	25	M8	M6	62	5,6	28	18,5	7,5	144	64,5	83,5	-/5	-/16,3
K0257.4160166	K0257.416016056	4	16	160	45	25	25	M8	M6	62	5,6	28	18,5	7,5	144	64,5	83,5	-/5	-/18,3



# K0258

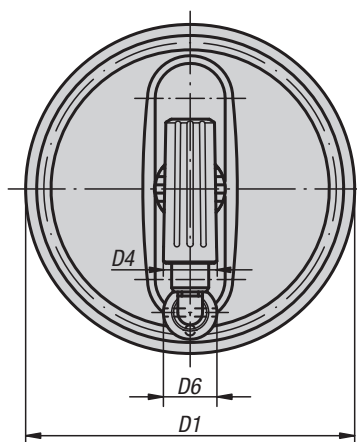


## Handwheels

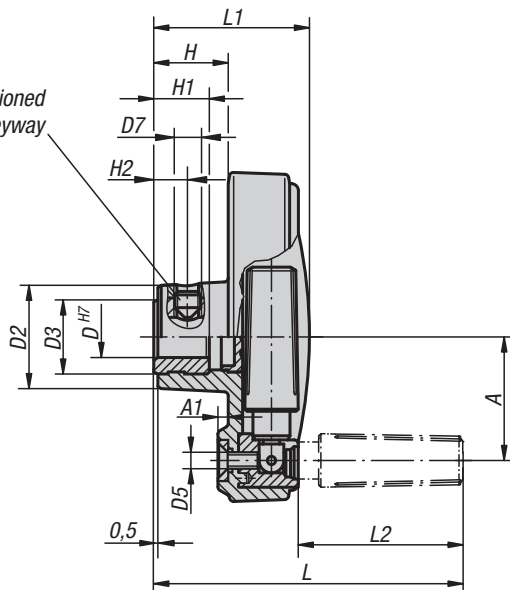
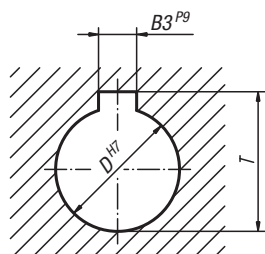
with fold-down grip



The transverse hole is positioned at 90° to the keyway



DIN 6885-1



**Material:**  
Black grey thermoplastic.

**Version:**  
Steel parts black oxidised.

**Sample order:**  
K0258.108008

**Note:**  
The hub cover is supplied loose.  
The handwheels can be secured using a transverse pin or by parallel key connection together with a DIN 6912 socket head screw and a DIN 7349 washer.  
Versions with transverse bore are secured using the ISO 4026 (DIN 913) grub screw.  
For assembly example, see K0256.



### KIPP Handwheels with fold-down cylinder grip

Order No. without slot	Order No. with slot	Size	D	D1	D2	D3	D4	D5	D6	A	A1	H	H1	L	L1	L2	B3	T
K0258.108008	K0258.10800802	1	8	80	25	19	13	M4	13	30	2,5	17,5	13	75	37,5	40	-/2	-/9
K0258.108010	K0258.10801003	1	10	80	25	19	13	M4	13	30	2,5	17,5	13	75	37,5	40	-/3	-/11,4
K0258.108012	K0258.10801204	1	12	80	25	19	13	M4	13	30	2,5	17,5	13	75	37,5	40	-/4	-/13,8
K0258.210010	K0258.21001003	2	10	100	28	19	16	M5	16	38	3	20	13	90	44	49	-/3	-/11,4
K0258.210012	K0258.21001204	2	12	100	28	19	16	M5	16	38	3	20	13	90	44	49	-/4	-/13,8
K0258.312512	K0258.31251204	3	12	125	35	25	20	M6	20	47,5	4	23,5	18,5	109	53	59,5	-/4	-/13,8
K0258.312514	K0258.31251405	3	14	125	35	25	20	M6	20	47,5	4	23,5	18,5	109	53	59,5	-/5	-/16,3
K0258.312516	K0258.31251605	3	16	125	35	25	20	M6	20	47,5	4	23,5	18,5	109	53	59,5	-/5	-/18,3
K0258.416014	K0258.41601405	4	14	160	45	25	25	M8	26	62	5,6	28	18,5	144	64,5	83,5	-/5	-/16,3
K0258.416016	K0258.41601605	4	16	160	45	25	25	M8	26	62	5,6	28	18,5	144	64,5	83,5	-/5	-/18,3

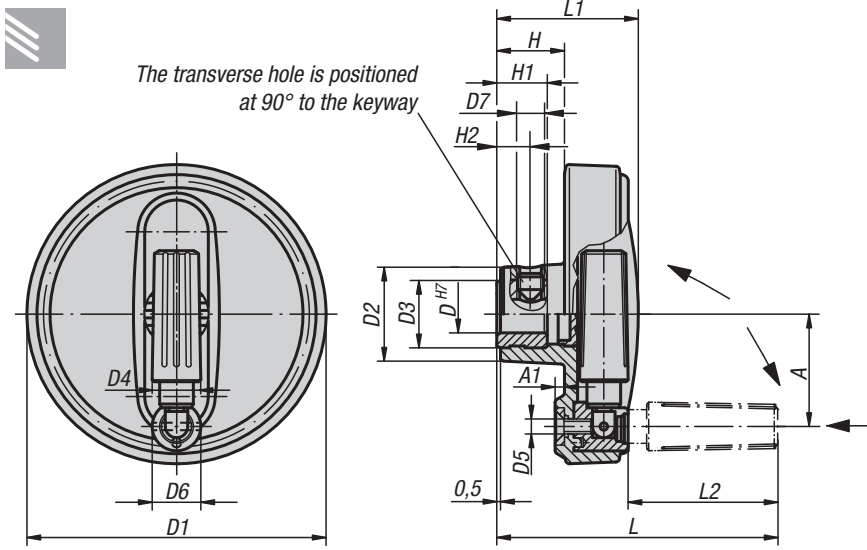
### KIPP Handwheels with fold-down grip with transverse bore

Order No. without slot	Order No. with slot	Size	D	D1	D2	D3	D4	D5	D6	D7	A	A1	H	H1	H2	L	L1	L2	B3	T
K0258.1080086	K0258.108008026	1	8	80	25	19	13	M4	13	M6	30	2,5	17,5	13	7,5	75	37,5	40	-/2	-/9
K0258.1080106	K0258.108010036	1	10	80	25	19	13	M4	13	M6	30	2,5	17,5	13	7,5	75	37,5	40	-/3	-/11,4
K0258.1080126	K0258.108012046	1	12	80	25	19	13	M4	13	M6	30	2,5	17,5	13	7,5	75	37,5	40	-/4	-/13,8
K0258.2100106	K0258.210010036	2	10	100	28	19	16	M5	16	M6	38	3	20	13	7,5	90	44	49	-/3	-/11,4
K0258.2100126	K0258.210012046	2	12	100	28	19	16	M5	16	M6	38	3	20	13	7,5	90	44	49	-/4	-/13,8
K0258.3125126	K0258.312512046	3	12	125	35	25	20	M6	20	M6	47,5	4	23,5	18,5	7,5	109	53	59,5	-/4	-/13,8
K0258.3125146	K0258.312514056	3	14	125	35	25	20	M6	20	M6	47,5	4	23,5	18,5	7,5	109	53	59,5	-/5	-/16,3
K0258.3125166	K0258.312516056	3	16	125	35	25	20	M6	20	M6	47,5	4	23,5	18,5	7,5	109	53	59,5	-/5	-/18,3
K0258.4160146	K0258.416014056	4	14	160	45	25	25	M8	26	M6	62	5,6	28	18,5	7,5	144	64,5	83,5	-/5	-/16,3
K0258.4160166	K0258.416016056	4	16	160	45	25	25	M8	26	M6	62	5,6	28	18,5	7,5	144	64,5	83,5	-/5	-/18,3

# K0259

## Handwheels

with safety grip



**Material:**  
Black grey thermoplastic.

**Version:**  
Steel parts black oxidised.

**Sample order:**  
K0259.108008

**Note:**  
The hub cover is supplied loose. The handwheels can be secured using a transverse pin or by parallel key connection together with a DIN 6912 socket head screw and a DIN 7349 washer.

Two steps have to be carried out to bring the cylindrical safety grip into operating position:

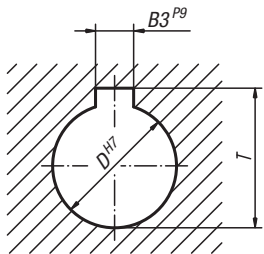
- Swivel the grip around the axis of rotation until it stops (90°).
- Push grip in axial position into locking position.

The pressed-in position is the most comfortable position to crank. When released, the grip automatically returns to original position.

Versions with transverse bore are secured using the ISO 4026 (DIN 913) grub screw.

For assembly examples, see K0256.

DIN 6885-1



### KIPP Handwheels with safety cylinder grip

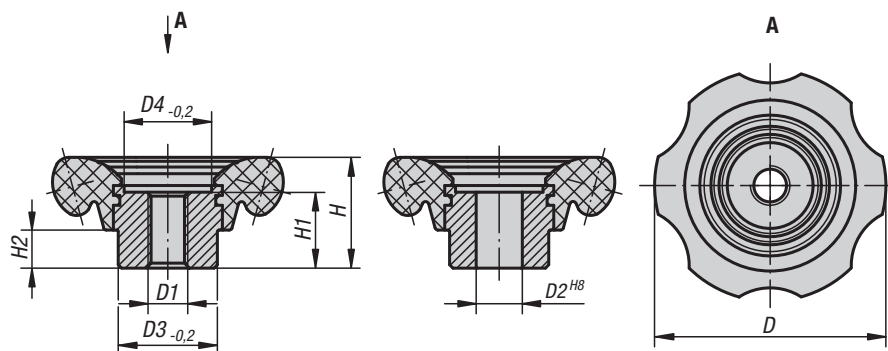
Order No. without slot	Order No. with slot	Size	D	D1	D2	D3	D4	D5	D6	A	A1	H	H1	L	L1	L2	B3	T
K0259.108008	K0259.10800802	1	8	80	25	19	13	M4	13	30	2,5	17,5	13	73	37,5	38	-/2	-/9
K0259.108010	K0259.10801003	1	10	80	25	19	13	M4	13	30	2,5	17,5	13	73	37,5	38	-/3	-/11,4
K0259.108012	K0259.10801204	1	12	80	25	19	13	M4	13	30	2,5	17,5	13	73	37,5	38	-/4	-/13,8
K0259.210010	K0259.21001003	2	10	100	28	19	16	M5	16	38	3	20	13	88,5	44	47,5	-/3	-/11,4
K0259.210012	K0259.21001204	2	12	100	28	19	16	M5	16	38	3	20	13	88,5	44	47,5	-/4	-/13,8
K0259.312512	K0259.31251204	3	12	125	35	25	20	M6	20	47,5	4	23,5	18,5	108	53	58,5	-/4	-/13,8
K0259.312514	K0259.31251405	3	14	125	35	25	20	M6	20	47,5	4	23,5	18,5	108	53	58,5	-/5	-/16,3
K0259.312516	K0259.31251605	3	16	125	35	25	20	M6	20	47,5	4	23,5	18,5	108	53	58,5	-/5	-/18,3
K0259.416014	K0259.41601405	4	14	160	45	25	25	M8	26	62	5,6	28	18,5	142,5	64,5	82	-/5	-/16,3
K0259.416016	K0259.41601605	4	16	160	45	25	25	M8	26	62	5,6	28	18,5	142,5	64,5	82	-/5	-/18,3

### KIPP Handwheels with safety cylinder grip with transverse bore

Order No. without slot	Order No. with slot	Size	D	D1	D2	D3	D4	D5	D6	D7	A	A1	H	H1	H2	L	L1	L2	B3	T
K0259.1080086	K0259.108008026	1	8	80	25	19	13	M4	13	M6	30	2,5	17,5	13	7,5	73	37,5	38	-/2	-/9
K0259.1080106	K0259.108010036	1	10	80	25	19	13	M4	13	M6	30	2,5	17,5	13	7,5	73	37,5	38	-/3	-/11,4
K0259.1080126	K0259.108012046	1	12	80	25	19	13	M4	13	M6	30	2,5	17,5	13	7,5	73	37,5	38	-/4	-/13,8
K0259.2100106	K0259.210010036	2	10	100	28	19	16	M5	16	M6	38	3	20	13	7,5	88,5	44	47,5	-/3	-/11,4
K0259.2100126	K0259.210012046	2	12	100	28	19	16	M5	16	M6	38	3	20	13	7,5	88,5	44	47,5	-/4	-/13,8
K0259.3125126	K0259.312512046	3	12	125	35	25	20	M6	20	M6	47,5	4	23,5	18,5	7,5	108	53	58,5	-/4	-/13,8
K0259.3125146	K0259.312514056	3	14	125	35	25	20	M6	20	M6	47,5	4	23,5	18,5	7,5	108	53	58,5	-/5	-/16,3
K0259.3125166	K0259.312516056	3	16	125	35	25	20	M6	20	M6	47,5	4	23,5	18,5	7,5	108	53	58,5	-/5	-/18,3
K0259.4160146	K0259.416014056	4	14	160	45	25	25	M8	26	M6	62	5,6	28	18,5	7,5	142,5	64,5	82	-/5	-/16,3
K0259.4160166	K0259.416016056	4	16	160	45	25	25	M8	26	M6	62	5,6	28	18,5	7,5	142,5	64,5	82	-/5	-/18,3

# K0184

## Handwheels



**Material:**  
Handwheel Duroplast PF 31.  
Bush steel, black oxidised.

**Version:**  
High-gloss polished, black.

**Sample order:**  
K0184.70112



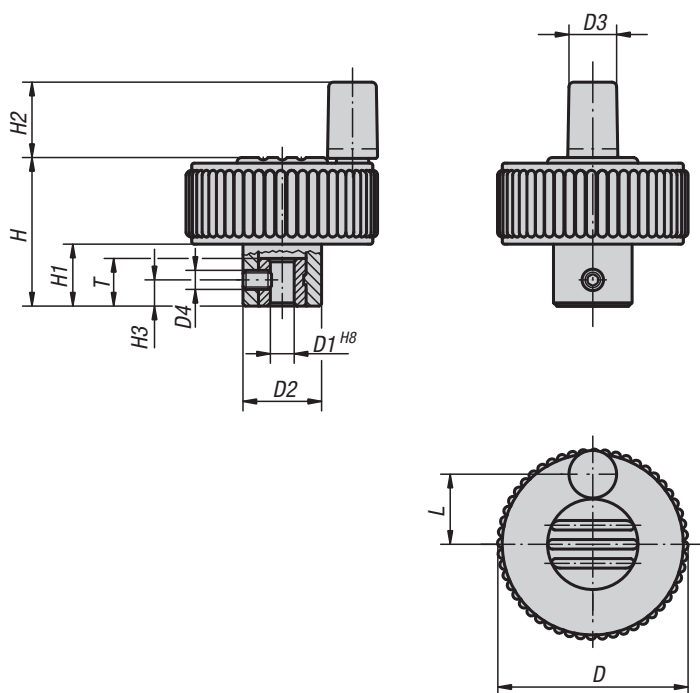
### KIPP Handwheels

Order No.	Version	D	D1	D2	D3	D4	H	H1	H2
K0184.70110	internal thread	70	M10	-	30	26,5	33,5	23	11,5
K0184.70112	internal thread	70	M12	-	30	26,5	33,5	23	11,5
K0184.83112	internal thread	83	M12	-	35	31,5	40	28	14
K0184.83116	internal thread	83	M16	-	35	31,5	40	28	14
K0184.70212	reamed hole	70	-	12	30	26,5	33,5	23	11,5
K0184.70214	reamed hole	70	-	14	30	26,5	33,5	23	11,5
K0184.83214	reamed hole	83	-	14	35	31,5	40	28	14
K0184.83216	reamed hole	83	-	16	35	31,5	40	28	14

# K0262

## Knurled knobs

with grip



The extremely attractive design and the excellent ergonomic form make these knurled knobs trend-setting products which allow precise and secure positioning. Due to the sophisticated technology, the knurled knobs make any type of work easier than before.

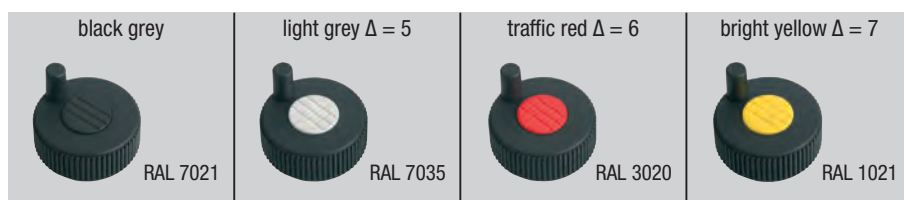
**Material:**  
Thermoplastic, black grey.  
Bush steel 5.8.

**Version:**  
Steel blue passivated.

**Sample order:**  
K0262.21066 (cap colour traffic red)

**Note:**  
Δ Add the desired cap colour here. No colour code is required for black grey caps.

**Drawing reference:**  
Form H: without transverse hole  
Form M: with transverse hole and grub screw

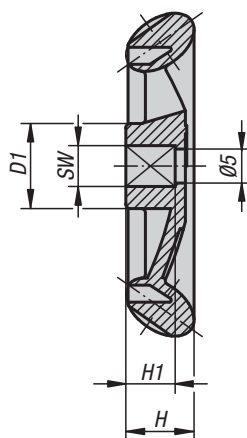
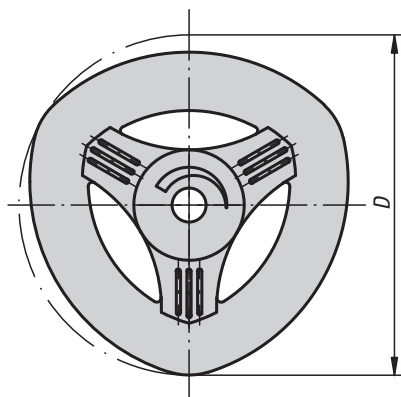


### KIPP Knurled knobs with grip

Order No.	Form	Size	D	D1	D2	D3	D4	H	H1	H2	H3	L	T
K0262.2106Δ	H	1	40	6	16,5	10	-	31	13	16	-	15	10
K0262.2206Δ	H	2	50	6	18	10	-	36	15	16	-	18,5	10
K0262.2308Δ	H	3	63	8	22	10	-	41	17	16	-	25	14
K0262.1106Δ	M	1	40	6	16,5	10	M4	31	13	16	5,5	15	10
K0262.1206Δ	M	2	50	6	18	10	M4	36	15	16	5,5	18,5	10
K0262.1308Δ	M	3	63	8	22	10	M4	41	17	16	8	25	14

# K0275

## Deltawheels








**NOVO grip Deltawheels** lend your ideas a concrete form and definite shape. Apart from being attractive, the delta form of these handwheels also offers a really comfortable and secure grip.



**Material:**  
Fibreglass reinforced thermoplastic.

**Sample order:**  
K0275.050051 (colour signal green)

**Note:**  
Δ Add the desired colour here. No colour code is required for black grey.

black grey  RAL 7021	signal green Δ = 1  RAL 6032	traffic red Δ = 2  RAL 3020	bright yellow Δ = 3  RAL 1021	traffic blue Δ = 4  RAL 5017
--	---	--	--	---

### KIPP Deltawheels

Order No.	Size	D	D1	H	H1	Square socket SW
K0275.05005Δ	1	50	12,5	10	7,3	5
K0275.05006Δ	1	50	12,5	10	7,3	6
K0275.06306Δ	2	63	15,8	12,6	9	6
K0275.06307Δ	2	63	15,8	12,6	9	7
K0275.08008Δ	3	80	20	16	12	8
K0275.08009Δ	3	80	20	16	12	9

# K0726

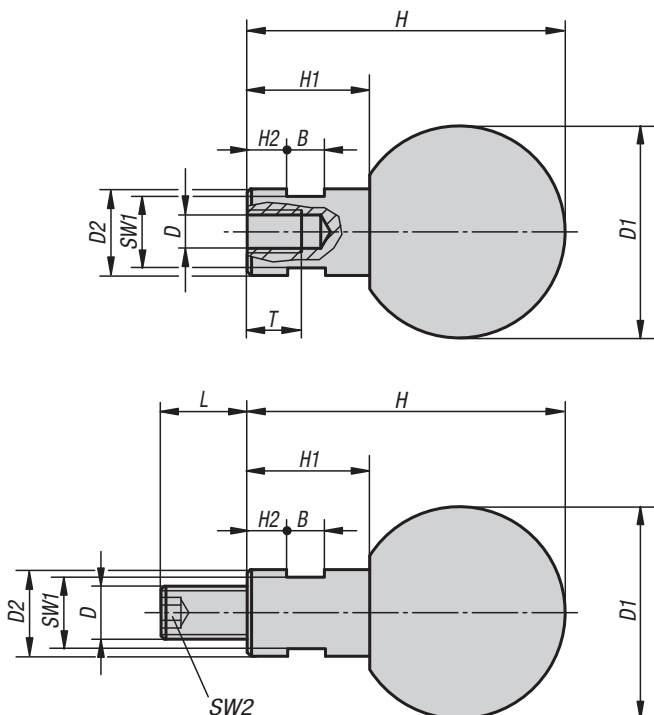
## Ball grips revolving



**Material:**  
 Ball Duroplast PF 31.  
 Bush and screw steel or stainless steel 1.4305.

**Version:**  
 Ball black glossy.  
 Steel blue passivated.  
 Stainless steel bright.

**Sample order:**  
 K0726.061



### KIPP Ball grips revolving with female thread

Order No. Steel	Order No. Stainless steel	D	D1	D2	T	H	H1	H2	B	SW1
K0726.060	K0726.1060	M6	25	10	12,5	37,5	15	5	5	8
K0726.080	K0726.1080	M8	32	13	15	48,5	19	6	6	10
K0726.100	K0726.1100	M10	40	16	19	61	24	8	8	13
K0726.120	K0726.1120	M12	50	20	21,5	78	31	12	10	17

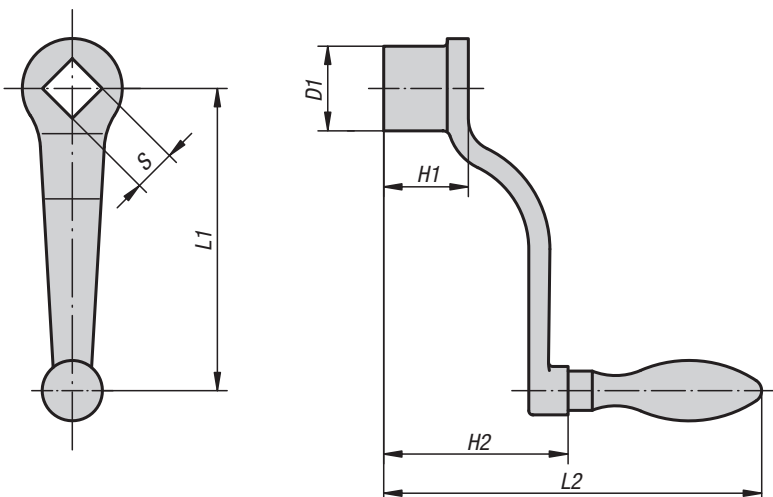
### KIPP Ball grips revolving with male thread

Order No. Steel	Order No. Stainless steel	D	D1	D2	L	H	H1	H2	B	SW1	SW2
K0726.061	K0726.1061	M6	25	10	11	37,5	15	5	5	8	3
K0726.081	K0726.1081	M8	32	13	13	48,5	19	6	6	10	4
K0726.101	K0726.1101	M10	40	16	14	61	24	8	8	13	5
K0726.121	K0726.1121	M12	50	20	21	78	31	12	10	17	6

# K0684

## Crank handles offset

similar to DIN 468



**Material:**

Crank arm malleable or ductile iron.

**Version:**

Blasted.

**Sample order:**

K0684.212X14

**Drawing reference:**

Form D: with revolving handle

Form F: with fixed handle



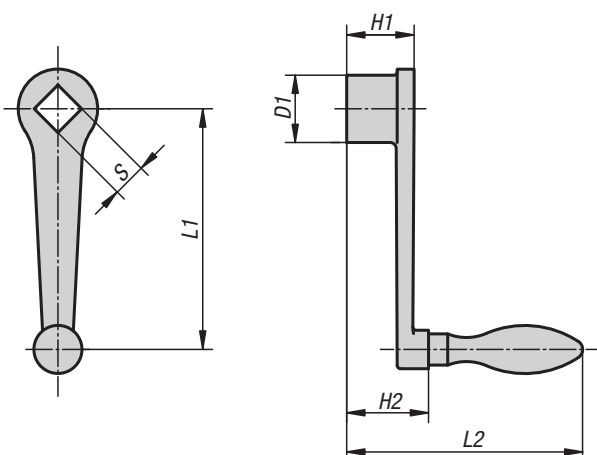
### KIPP Crank handles offset similar DIN 468

Order No.	Form	L1	L2	S	D1	H1	H2	Grip Ø
K0684.206X10	D	63	92	10 +0,2	20	20	40	16
K0684.208X10	D	80	109	10 +0,2	24	24	44	20
K0684.208X12	D	80	109	12 +0,2	24	24	44	20
K0684.210X12	D	100	120	12 +0,2	28	28	55	20
K0684.210X14	D	100	120	14 +0,3	28	28	55	20
K0684.212X14	D	125	141	14 +0,3	34	34	58	25
K0684.212X17	D	125	141	17 +0,3	34	34	58	25
K0684.216X17	D	160	153	17 +0,3	37	38	70	25
K0684.216X19	D	160	153	19 +0,3	37	38	70	25
K0684.220X19	D	200	189	19 +0,3	40	44	84	32
K0684.220X22	D	200	189	22 +0,3	40	44	84	32
K0684.106X10	F	63	92	10 +0,2	20	20	40	16
K0684.108X10	F	80	109	10 +0,2	24	24	44	20
K0684.108X12	F	80	109	12 +0,2	24	24	44	20
K0684.110X12	F	100	120	12 +0,2	28	28	55	20
K0684.110X14	F	100	120	14 +0,3	28	28	55	20
K0684.112X14	F	125	141	14 +0,3	34	34	58	25
K0684.112X17	F	125	141	17 +0,3	34	34	58	25
K0684.116X17	F	160	153	17 +0,3	37	38	70	25
K0684.116X19	F	160	153	19 +0,3	37	38	70	25
K0684.120X19	F	200	189	19 +0,3	40	44	84	32
K0684.120X22	F	200	189	22 +0,3	40	44	84	32



# Crank handles straight

similar to DIN 469



**Material:**

Crank arm malleable or ductile iron.

**Version:**

Blasted.

**Sample order:**

K0685.120X22

**Drawing reference:**

Form D: with revolving handle

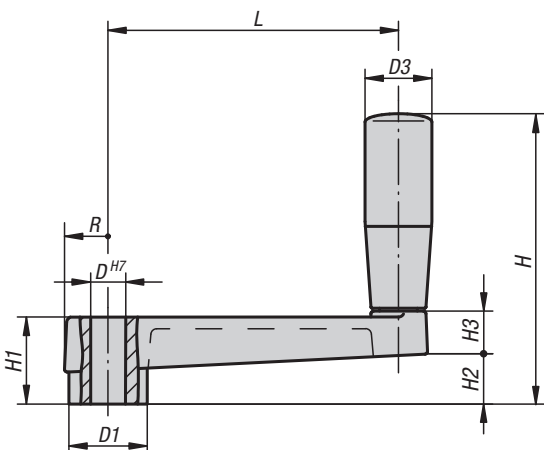
Form F: with fixed handle

## KIPP Crank handles straight similar DIN 469

Order No.	Form	L1	L2	S	D1	H1	H2	Grip Ø
K0685.206X10	D	63	80	10 +0,2	20	20	28	16
K0685.208X10	D	80	98	10 +0,2	24	24	33	20
K0685.208X12	D	80	98	12 +0,2	24	24	33	20
K0685.210X12	D	100	102	12 +0,2	28	28	37	20
K0685.210X14	D	100	102	14 +0,3	28	28	37	20
K0685.212X14	D	125	120	14 +0,3	34	34	40	25
K0685.212X17	D	125	120	17 +0,3	34	34	40	25
K0685.216X17	D	160	131	17 +0,3	37	38	48	25
K0685.216X19	D	160	131	19 +0,3	37	38	48	25
K0685.220X19	D	200	158	19 +0,3	40	44	53	32
K0685.220X22	D	200	158	22 +0,3	40	44	53	32
K0685.106X10	F	63	80	10 +0,2	20	20	28	16
K0685.108X10	F	80	98	10 +0,2	24	24	33	20
K0685.108X12	F	80	98	12 +0,2	24	24	33	20
K0685.110X12	F	100	102	12 +0,2	28	28	37	20
K0685.110X14	F	100	102	14 +0,3	28	28	37	20
K0685.112X14	F	125	120	14 +0,3	34	34	40	25
K0685.112X17	F	125	120	17 +0,3	34	34	40	25
K0685.116X17	F	160	131	17 +0,3	37	38	48	25
K0685.116X19	F	160	131	19 +0,3	37	38	48	25
K0685.120X19	F	200	158	19 +0,3	40	44	53	32
K0685.120X22	F	200	158	22 +0,3	40	44	53	32

# K0727

## Crank handles aluminium



**Material:**  
Aluminium.  
Grip thermoplastic.

**Version:**  
Arm plastic-coated, black.  
Grip black.

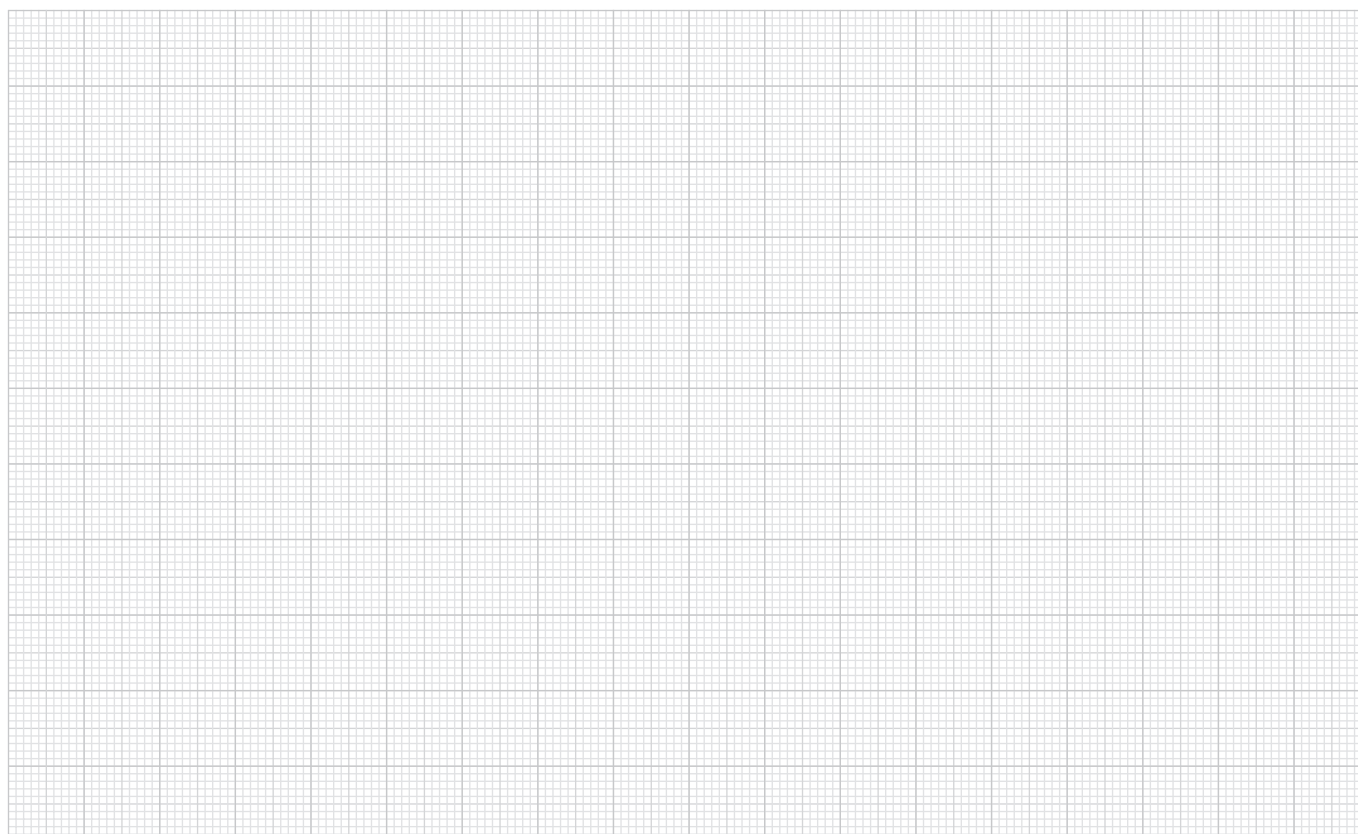
**Sample order:**  
K0727.100



### KIPP Crank handles aluminium

Order No.	D	D1	D3	H	H1	H2	H3	L	R
K0727.100	10	23	21	81	24	14	14	80	13
K0727.120	12	27	23	100	28	17	15	100	15
K0727.140	14	32	26	123	34	22	18	125	17,5

## Notes



# K0997

## Crank handles aluminium

with fold-away grip



**Material:**

Crank AISi9Cu3 (3.2163).  
Cylinder grip thermoplastic (PA6) and steel.

**Version:**

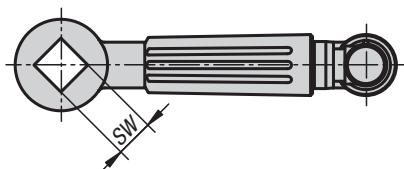
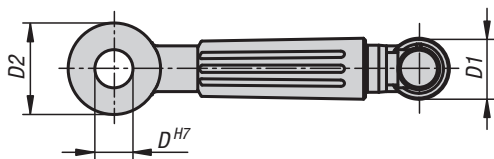
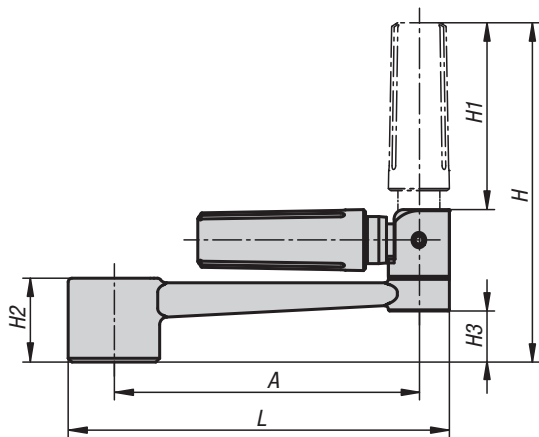
Crank plastic powder coated, black.  
Thermoplastic black.  
Steel parts black oxidised.

**Sample order:**

K0997.1110

**Note:**

Similar to DIN 469.



### KIPP Crank handles aluminium with fold-away cylinder grip

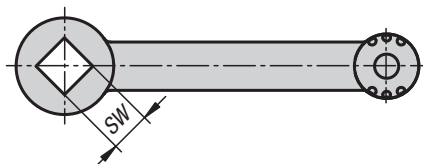
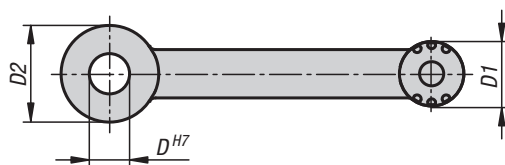
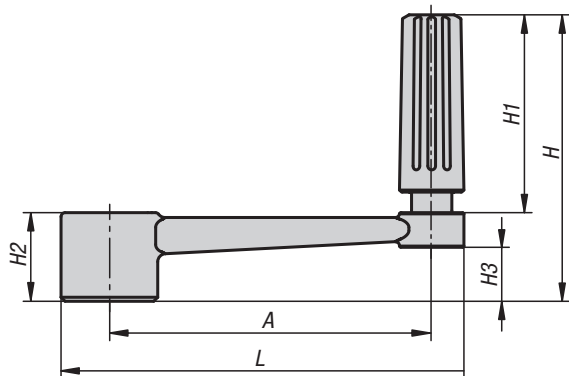
Order No.	Version	D	D1	D2	H	H1	H2	H3	A	L
K0997.1110	reamed hole	10	16	24	89	49	22	13,4	80	100
K0997.1212	reamed hole	12	20	28	107,9	59,4	26	16	100	124
K0997.1314	reamed hole	14	26	30	140,5	83,5	28	15,8	125	153
K0997.1417	reamed hole	17	26	34	144,5	83,5	32	19,6	160	190

Order No.	Version	SW (square)	D1	D2	H	H1	H2	H3	A	L
K0997.2110	square socket	10	16	24	89	49	22	13,4	80	100
K0997.2212	square socket	12	20	28	107,9	59,4	26	16	100	124
K0997.2314	square socket	14	26	30	140,5	83,5	28	15,8	125	153
K0997.2417	square socket	17	26	34	144,5	83,5	32	19,6	160	190

# K0996

## Crank handles aluminium

with revolving grip



**Material:**

Crank AISi9Cu3 (3.2163).  
Revolving grip thermoplastic (PA6) and steel (1.0718).



**Version:**

Crank plastic powder coated, black.  
Thermoplastic black.  
Steel parts black oxidised.

**Sample order:**

K0996.3110

**Note:**

Similar to DIN 469.

### KIPP Crank handles aluminium with cylindrical revolving grip

Order No.	Version	D	D1	D2	H	H1	H2	H3	A	L
K0996.3110	reamed hole	10	16	24	71,1	49,1	22	13,4	80	100
K0996.3212	reamed hole	12	20	28	87,4	61,4	26	16	100	124
K0996.3314	reamed hole	14	26	30	111	83	28	15,8	125	153
K0996.3417	reamed hole	17	26	34	115	83	32	19,6	160	190

Order No.	Version	SW (square)	D1	D2	H	H1	H2	H3	A	L
K0996.4110	square socket	10	16	24	71,1	49,1	22	13,4	80	100
K0996.4212	square socket	12	20	28	87,4	61,4	26	16	100	124
K0996.4314	square socket	14	26	30	111	83	28	15,8	125	153
K0996.4417	square socket	17	26	34	115	83	32	19,6	160	190

# K0998

## Crank handles aluminium

with safety grip

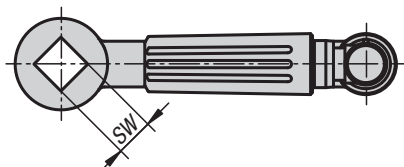
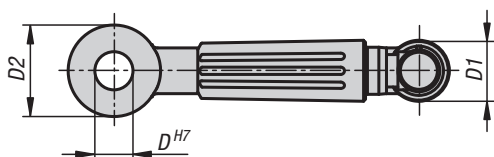
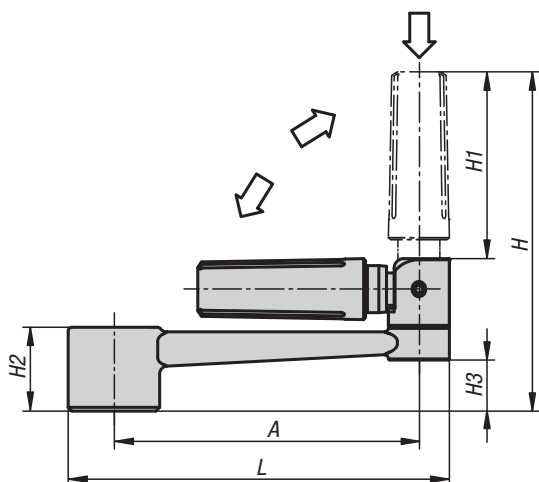


**Material:**  
Crank AISi9Cu3 (3.2163).  
Safety cylinder grip thermoplastic (PA6) and steel.

**Version:**  
Crank plastic powder coated, black.  
Thermoplastic black.  
Steel black oxidised.

**Sample order:**  
K0998.1110

**Note:**  
Similar to DIN 469.



### KIPP Crank handle aluminium with safety cylinder grip

Order No.	Version	D	D1	D2	H	H1	H2	H3	A	L
K0998.1110	reamed hole	10	16	24	87,5	47,5	22	13,4	80	100
K0998.1212	reamed hole	12	20	28	106,9	58,4	26	16	100	124
K0998.1314	reamed hole	14	26	30	139,1	82,1	28	15,8	125	153
K0998.1417	reamed hole	17	26	34	143,1	82,1	32	19,6	160	190

Order No.	Version	SW (square)	D1	D2	H	H1	H2	H3	A	L
K0998.2110	square socket	10	16	24	87,5	47,5	22	13,4	80	100
K0998.2212	square socket	12	20	28	106,9	58,4	26	16	100	124
K0998.2314	square socket	14	26	30	139,1	82,1	28	15,8	125	153
K0998.2417	square socket	17	26	34	143,1	82,1	32	19,6	160	190

# K0999

## Crank handles stainless steel

with revolving grip



**Material:**

Crank stainless steel 1.4308.  
 Axle pin stainless steel 1.4305.  
 Revolving grip stainless steel 1.4305.  
 Retaining ring stainless-steel 1.4310.

**Version:**

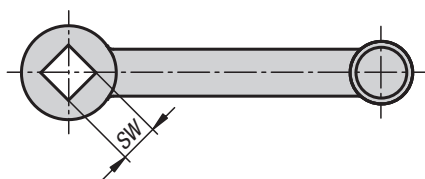
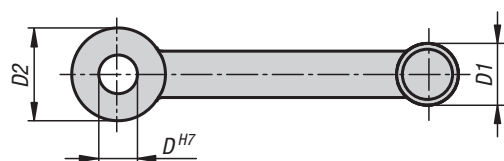
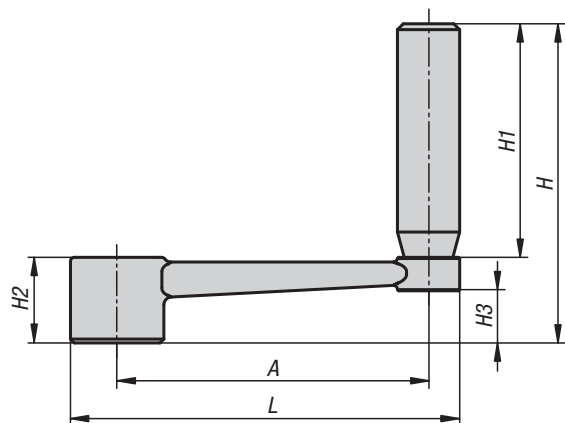
Bright.

**Sample order:**

K0999.3110

**Note:**

Similar to DIN 469.



### KIPP Crank handles stainless steel with cylindrical revolving grip

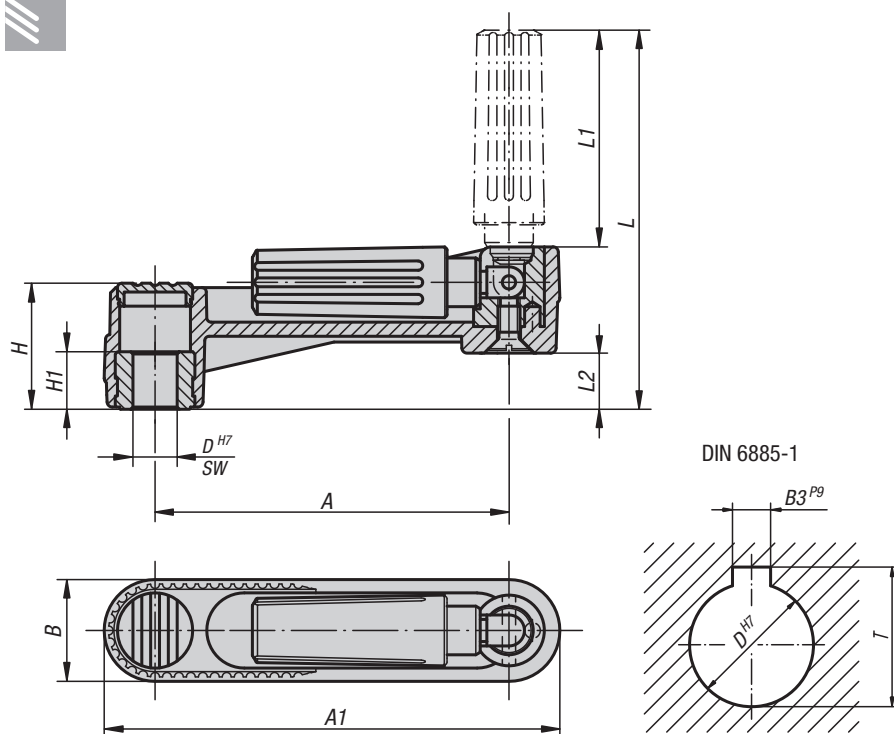
Order No.	Version	D	D1	D2	H	H1	H2	H3	A	L
K0999.3110	reamed hole	10	16	24	82	60	22	13,4	80	100
K0999.3212	reamed hole	12	20	28	98	72	26	16	100	124
K0999.3314	reamed hole	14	26	30	118	90	28	15,8	125	153
K0999.3417	reamed hole	17	26	34	122	90	32	19,6	160	190

Order No.	Version	SW (square)	D1	D2	H	H1	H2	H3	A	L
K0999.4110	square socket	10	16	24	82	60	22	13,4	80	100
K0999.4212	square socket	12	20	28	98	72	26	16	100	124
K0999.4314	square socket	14	26	30	118	90	28	15,8	125	153
K0999.4417	square socket	17	26	34	122	90	32	19,6	160	190

# K0266

## Crank handles

with fold-down grip



**NOVO grip crank handles have standard centre distances. These handles come with fold-down grips, highly reinforced plastics and can be mounted on round or square shafts. They can be secured radially or axially.**

**Material:**

Black grey thermoplastic.

**Version:**

Steel parts black oxidised.

**Sample order:**

K0266.1108

**Note:**

The hub cap is supplied loose.

The crank handle can be secured to a shaft using a transverse pin or by parallel key connection together with a DIN 6912 socket head screw and a DIN 7349 washer.

### KIPP Crank handles with fold-down grip

Order No.	Version	Size	A	A1	B	D	H	H1	L	L1	L2
K0266.1108	without slot	1	80	104	24	8	29	13	85,5	49	13
K0266.1110	without slot	1	80	104	24	10	29	13	85,5	49	13
K0266.1210	without slot	2	100	129	29	10	36	13	105	59,5	16
K0266.1212	without slot	2	100	129	29	12	36	13	105	59,5	16
K0266.1312	without slot	3	125	161	36	12	44	18,5	140	83,5	19,5
K0266.1314	without slot	3	125	161	36	14	44	18,5	140	83,5	19,5

Order No.	Version	Size	A	A1	B	D	H	H1	L	L1	L2	B3	T
K0266.110802	with slot	1	80	104	24	8	29	13	85,5	49	13	2	9
K0266.111003	with slot	1	80	104	24	10	29	13	85,5	49	13	3	11,4
K0266.121003	with slot	2	100	129	29	10	36	13	105	59,5	16	3	11,4
K0266.121204	with slot	2	100	129	29	12	36	13	105	59,5	16	4	13,8
K0266.131204	with slot	3	125	161	36	12	44	18,5	140	83,5	19,5	4	13,8
K0266.131405	with slot	3	125	161	36	14	44	18,5	140	83,5	19,5	5	16,3

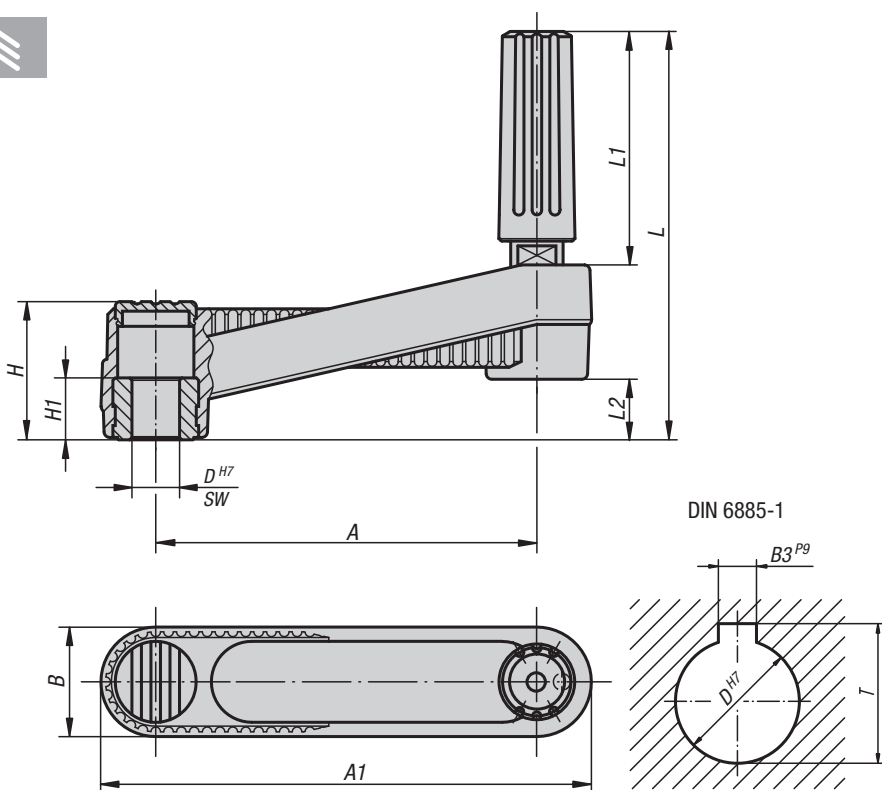
Order No.	Version	Size	A	A1	B	SW	H	H1	L	L1	L2
K0266.2108	square socket	1	80	104	24	8	29	13	85,5	49	13
K0266.2110	square socket	1	80	104	24	10	29	13	85,5	49	13
K0266.2210	square socket	2	100	129	29	10	36	13	105	59,5	16
K0266.2212	square socket	2	100	129	29	12	36	13	105	59,5	16
K0266.2312	square socket	3	125	161	36	12	44	18,5	140	83,5	19,5
K0266.2314	square socket	3	125	161	36	14	44	18,5	140	83,5	19,5



# K0659

## Crank handles

with revolving grip



**NOVO grip crank handles set the trend in all fields. They combine sophisticated technology with easy handling and universal application.**

**Material:**  
Black grey thermoplastic.

**Version:**  
Steel parts black oxidised.

**Sample order:**  
K0659.3108

**Note:**  
The hub cap and the revolving grip are supplied loose. To assemble the handle simply screw the grip into the existing hole. Novo-Grip crank handles can be secured to a shaft by using a transverse pin or by parallel key connection together with a DIN 6912 socket head screw and a DIN 7349 washer.



### KIPP Crank handles with revolving grip

Order No.	Version	Size	A	A1	B	D	H	H1	L	L1	L2
K0659.3108	without slot	1	80	104	24	8	29	13	85,5	49	13
K0659.3110	without slot	1	80	104	24	10	29	13	85,5	49	13
K0659.3210	without slot	2	100	129	29	10	36	13	105	59,5	16
K0659.3212	without slot	2	100	129	29	12	36	13	105	59,5	16
K0659.3312	without slot	3	125	161	36	12	44	18,5	140	83,5	19,5
K0659.3314	without slot	3	125	161	36	14	44	18,5	140	83,5	19,5

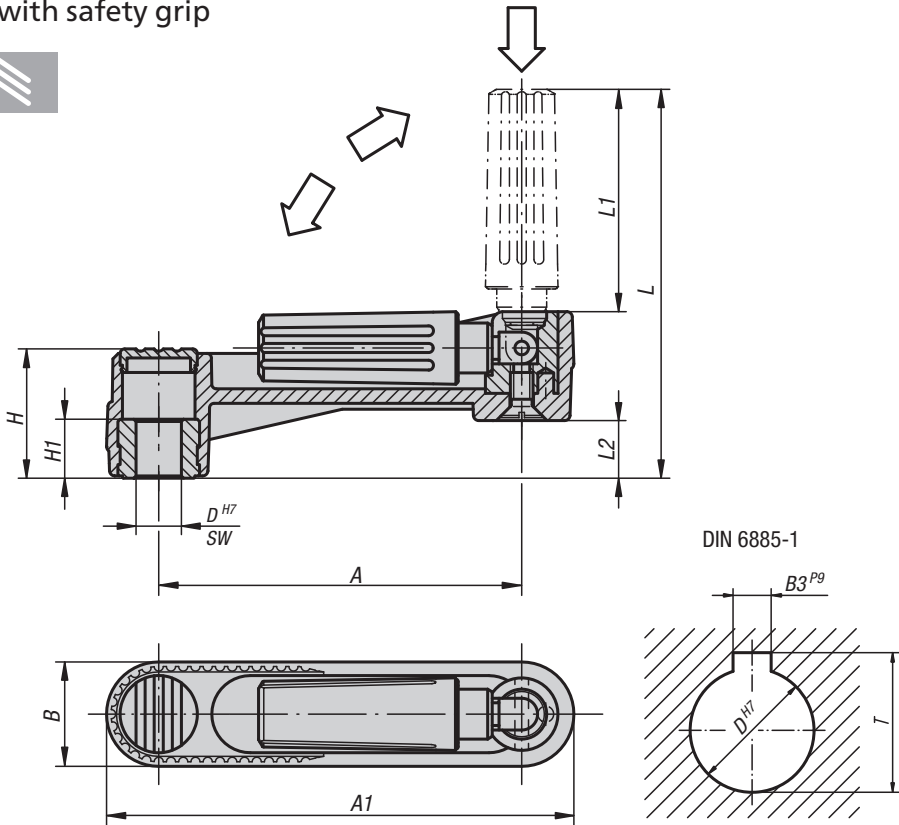
Order No.	Version	Size	A	A1	B	D	H	H1	L	L1	L2	B3	T
K0659.310802	with slot	1	80	104	24	8	29	13	85,5	49	13	2	9
K0659.311003	with slot	1	80	104	24	10	29	13	85,5	49	13	3	11,4
K0659.321003	with slot	2	100	129	29	10	36	13	105	59,5	16	3	11,4
K0659.321204	with slot	2	100	129	29	12	36	13	105	59,5	16	4	13,8
K0659.331204	with slot	3	125	161	36	12	44	18,5	140	83,5	19,5	4	13,8
K0659.331405	with slot	3	125	161	36	14	44	18,5	140	83,5	19,5	5	16,3

Order No.	Version	Size	A	A1	B	SW	H	H1	L	L1	L2
K0659.4108	square socket	1	80	104	24	8	29	13	85,5	49	13
K0659.4110	square socket	1	80	104	24	10	29	13	85,5	49	13
K0659.4210	square socket	2	100	129	29	10	36	13	105	59,5	16
K0659.4212	square socket	2	100	129	29	12	36	13	105	59,5	16
K0659.4312	square socket	3	125	161	36	12	44	18,5	140	83,5	19,5
K0659.4314	square socket	3	125	161	36	14	44	18,5	140	83,5	19,5

# K0268

## Crank handles

with safety grip



**Material:**  
Arm and grip black grey thermoplastic.

**Version:**  
Steel parts black oxidised.

**Sample order:**  
K0268.1108

**Note:**  
The hub cover is supplied loose.  
The crank handles can be secured to the shaft by cross-pinning or by parallel key together with a DIN 6912 socket head screw and DIN 7349 washer.  
Two actions must be made to bring the safety grip into an operating position:  
- Swing the grip out until it stops (90°).  
- Push the grip in until it locks.  
The pushed-in position is the most comfortable for cranking. The grip swings back automatically after releasing.

### KIPP Crank handles with safety grip

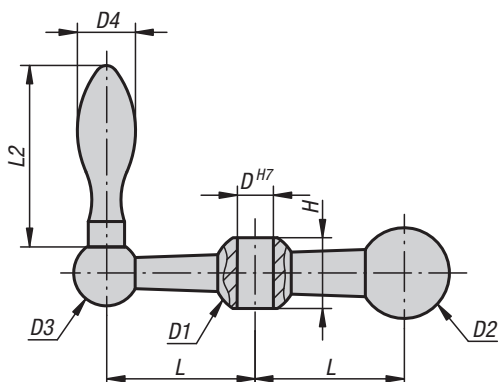
Order No.	Version	Size	A	A1	B	D	H	H1	L	L1	L2
K0268.1108	without slot	1	80	104	24	8	29	13	84	47,5	13
K0268.1110	without slot	1	80	104	24	10	29	13	84	47,5	13
K0268.1210	without slot	2	100	129	29	10	36	13	104	58,5	16
K0268.1212	without slot	2	100	129	29	12	36	13	104	58,5	16
K0268.1312	without slot	3	125	161	36	12	44	18,5	138,5	82	19,5
K0268.1314	without slot	3	125	161	36	14	44	18,5	138,5	82	19,5

Order No.	Version	Size	A	A1	B	D	H	H1	L	L1	L2	B3	T
K0268.110802	with slot	1	80	104	24	8	29	13	84	47,5	13	2	9
K0268.111003	with slot	1	80	104	24	10	29	13	84	47,5	13	3	11,4
K0268.121003	with slot	2	100	129	29	10	36	13	104	58,5	16	3	11,4
K0268.121204	with slot	2	100	129	29	12	36	13	104	58,5	16	4	13,8
K0268.131204	with slot	3	125	161	36	12	44	18,5	138,5	82	19,5	4	13,8
K0268.131405	with slot	3	125	161	36	14	44	18,5	138,5	82	19,5	5	16,3

Order No.	Version	Size	A	A1	B	SW	H	H1	L	L1	L2
K0268.2108	square socket	1	80	104	24	8	29	13	84	47,5	13
K0268.2110	square socket	1	80	104	24	10	29	13	84	47,5	13
K0268.2210	square socket	2	100	129	29	10	36	13	104	58,5	16
K0268.2212	square socket	2	100	129	29	12	36	13	104	58,5	16
K0268.2312	square socket	3	125	161	36	12	44	18,5	138,5	82	19,5
K0268.2314	square socket	3	125	161	36	14	44	18,5	138,5	82	19,5

# K0728

## Crank handles balanced



**Material:**  
Steel.

**Version:**  
galvanized.

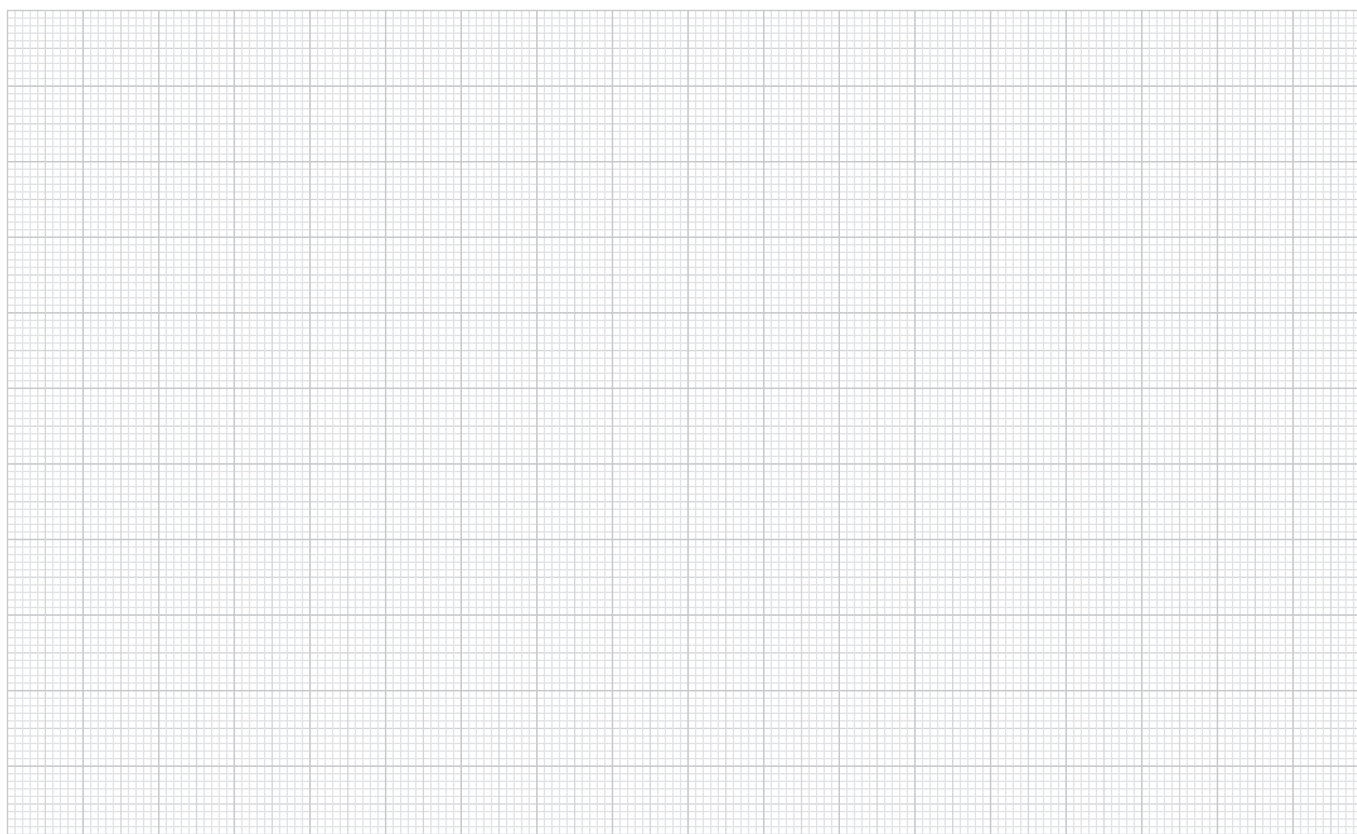
**Sample order:**  
K0728.108

**Note:**  
Fixed handle DIN 39.

### KIPP Balanced handles

Order No.	D	D1	D2	D3	D4	H	L	L2
K0728.107	7	16	18	13	10	13	25	32
K0728.108	8	20	22	16	14	17	34	46
K0728.110	10	23	25	18	16	19,5	41	50
K0728.112	12	26	28	20	18	21,5	50	56

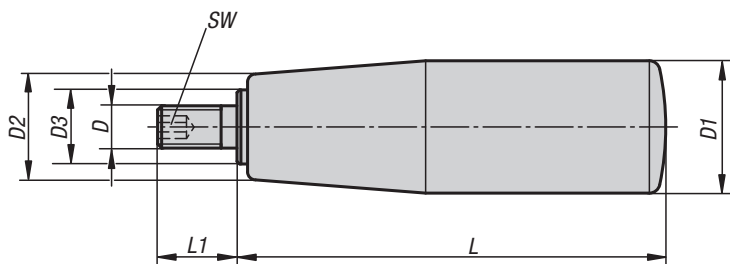
## Notes



**K0740**

# Cylindrical grips revolving

with hexagon socket



**Material:**

Grip thermoplastic.  
Steel parts galvanized.

**Version:**

Black satin finished.

**Sample order:**

K0740.08230620

**Note:**

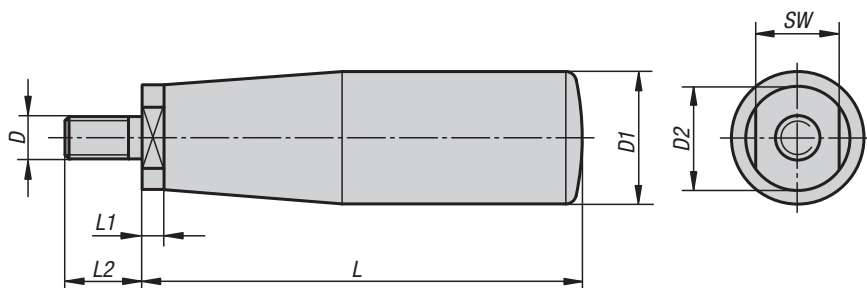
Cylindrical grips can be screwed onto our handwheels, crank handles etc.

## KIPP Cylinder grips revolving with hexagon socket

Order No.	D	D1	D2	D3	L	L1	SW
K0740.06200520	M6	20	15	10	51	12	3
K0740.06230620	M6	23	18	10	62	12	3
K0740.08230620	M8	23	18	10	62	15	4
K0740.08250720	M8	25	19	10	71	15	4
K0740.10250720	M10	25	19	10	71	15	4
K0740.08250810	M8	26	22	14	81	15	4
K0740.10250810	M10	26	22	14	81	15	5
K0740.12260820	M12	26	22	14	81	15	5
K0740.10270930	M10	27	22	14	92	15	5
K0740.12270930	M12	27	22	14	92	15	5

**K0774**

## Cylindrical grips revolving

**Material:**Grip thermoplastic.  
Steel parts galvanized.**Version:**

Black satin finished.

**Sample order:**

K0774.08230600

**Note:**

Cylindrical grips can be screwed onto our handwheels, crank handles etc.



### KIPP Cylindrical revolving grips

Order No.	D	D1	D2	L	L1	L2	SW
K0774.06200500	M6	20	12	55	5	12	10
K0774.08230600	M8	23	14	67	7	15	13
K0774.08250690	M8	25	14	77	7	15	13
K0774.10250690	M10	25	14	77	7	15	13
K0774.10250800	M10	26	18	86	7	15	16
K0774.12250800	M12	26	18	86	7	15	16
K0774.10270890	M10	27	18	97	7	15	16
K0774.12270890	M12	27	18	97	7	15	16

# K0775

## Cylindrical grips fold-down

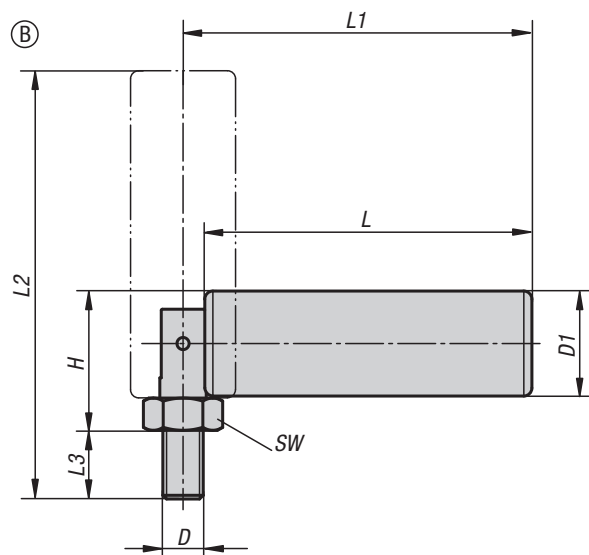
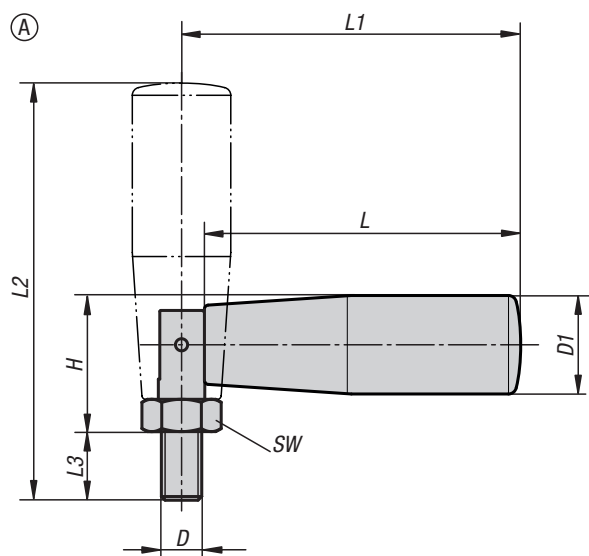


**Material:**  
Grip thermoplastic.  
Steel parts black oxidised.

**Version:**  
Black satin finished.

**Sample order:**  
K0775.10260890

**Note:**  
Cylindrical grips can be screwed onto our handwheels, crank handles etc.



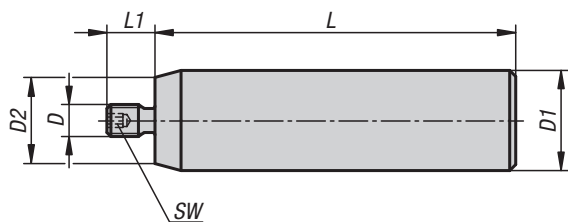
### KIPP Cylindrical grips fold-down

Order No.	Form	D	D1	SW	L	L1	L2	L3	H
K0775.06200490	A	M6	20	10	49	53	63	9	24,5
K0775.08250690	A	M8	25	13	70	74	87,5	11	28
K0775.10260890	B	M10	26	17	90	96	114	16	34

# K1000

## Cylindrical grips revolving

stainless steel



**Material:**

Axis stainless steel 1.4305.  
 Revolving grip stainless steel 1.4305.  
 Snap ring stainless-steel 1.4310.



**Version:**

Bright.

**Sample order:**

K1000.105

**Assembly:**

Screw in using hexagon socket in axis.

### KIPP Cylindrical grips, revolving, stainless steel

Order No.	D	D1	D2	L	L1	SW
K1000.105	M5	16	12,5	60	8	3
K1000.206	M6	20	16,5	72	9	3
K1000.308	M8	25	21,5	90	12	3

# K0263

## Cylindrical grips revolving



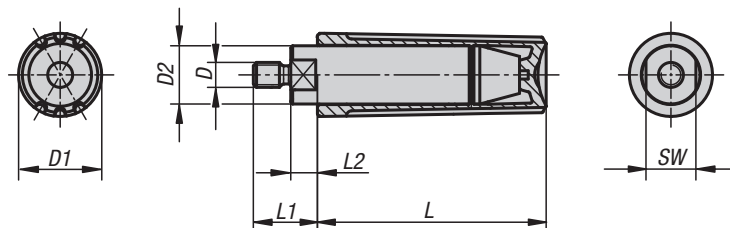
The harmonic interplay of form and function make these NOVO grip cylindrical grips to a universally applicable product. The quality is characterised by aesthetics, reliability and perfect handling.

**Material:**  
Black grey thermoplastic.

**Version:**  
Steel parts black oxidised.

**Sample order:**  
K0263.104

**Note:**  
Cylindrical grips are supplied assembled and can be screwed onto our handwheels, crank handles etc.



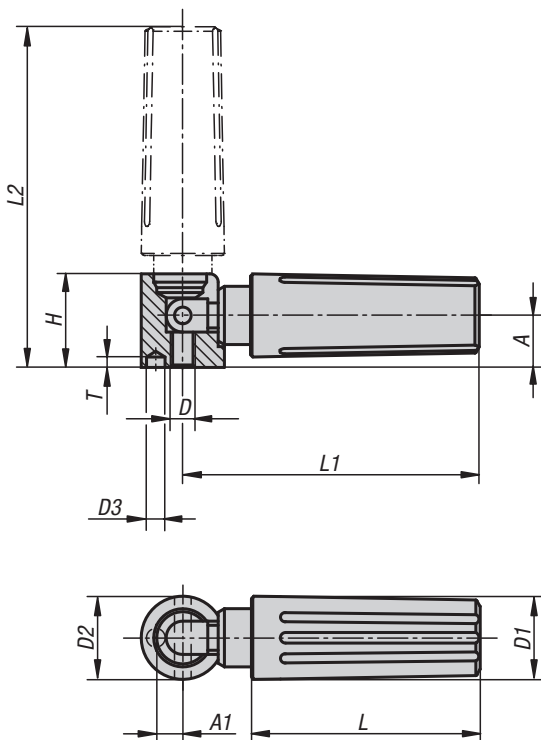
### KIPP Cylindrical grips revolving

Order No.	Size	D	D1	D2	L	L1	L2	SW
K0263.104	1	M4	13	9	35	11	5	8
K0263.205	2	M5	16	11	44	13	5,5	10
K0263.306	3	M6	20	14	55	14	5	12
K0263.408	4	M8	25	18	70,5	25	13	15



# K0264

## Cylindrical grips fold-down



The harmonic interplay of form and function make these NOVO grip cylindrical grips to a universally applicable product. The quality is characterised by aesthetics, reliability and perfect handling.



**Material:**

Black grey thermoplastic.

**Version:**

Steel parts black oxidised.

**Sample order:**

K0264.104

**Note:**

Cylindrical grips are supplied assembled and can be screwed to our handwheels, crank handles etc. The hole D3 is used for positioning.

### KIPP Cylindrical grips fold-down

Order No.	Size	D	D1	D2	D3	A	A1	H	L	L1	L2	T
K0264.104	1	M4	13	13	2,5	8	4,3	14,5	35	47	54,5	4,5
K0264.205	2	M5	16	16	3,5	10	5,3	18	44	58	67	4,5
K0264.306	3	M6	20	20	4,5	12,5	6,5	22,5	55	71,5	82	6
K0264.408	4	M8	25	26	5,5	16	9	29	70,5	98,5	112,5	6,5

# K0265

## Cylindrical grips

safety automatic return



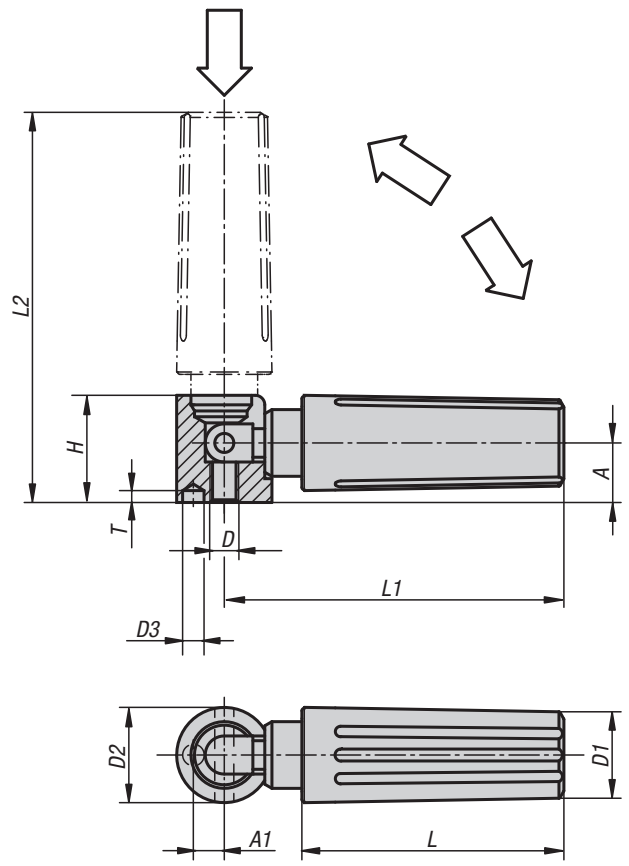
The characteristics of the standard cylindrical grip also apply to the automatic return safety cylindrical grip.  
**Optimum functionality and sophisticated safety technology are here ideally combined.**

**Material:**  
 Grip black grey thermoplastic.

**Version:**  
 Steel parts black oxidised.

**Sample order:**  
 K0265.104

**Note:**  
 Two actions must be made to bring the safety grip into an operating position:  
 - Swing the grip out until it stops (90°).  
 - Push the grip in until it locks.  
 The pushed-in position is the most comfortable for cranking. The grip swings back automatically after releasing.  
 Cylindrical grips are supplied assembled and can be screwed onto our handwheels, crank handles etc.  
 The hole D3 is used for positioning.



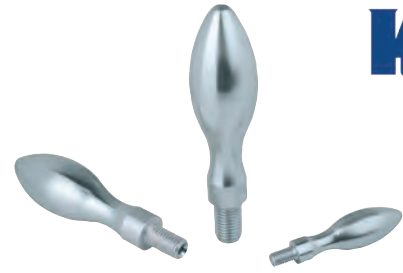
### KIPP Cylindrical grips safety automatic return

Order No.	Size	D	D1	D2	D3	A	A1	H	L	L1	L2	T
K0265.104	1	M4	13	13	2,5	8	4,3	14,5	35	47	52,5	4,5
K0265.205	2	M5	16	16	3,5	10	5,3	18	44	58	65,5	4,5
K0265.306	3	M6	20	20	4,5	12,5	6,5	22,5	55	71,5	81	6
K0265.408	4	M8	25	26	5,5	16	9	29	70,5	98,5	111	6,5

# K0166

## Machine handles fixed

steel, DIN 39 Form E

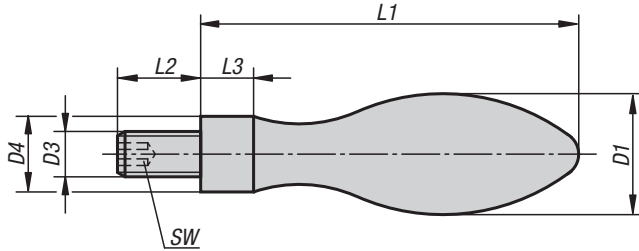


**Material:**  
Grip and screw steel.

**Version:**  
Grip and axle part galvanized and blue passivated.

**Sample order:**  
K0166.0616050

**Note:**  
Machine handle suitable for DIN 950 handwheels.



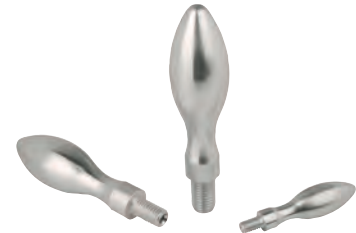
### KIPP Machine handles fixed, steel, DIN 39 Form E

Order No.	D1	D3	D4	L1	L2	L3	SW
K0166.0616050	16	M6	10	50	11	7	3
K0166.0820064	20	M8	13	64	13	8	4
K0166.1025080	25	M10	16	80	14	10	5
K0166.1232100	32	M12	20	100	21	13	6
K0166.1636112	36	M16	22	112	26	14	8

# K1199

## Machine handles fixed

DIN 39 Form E, stainless steel

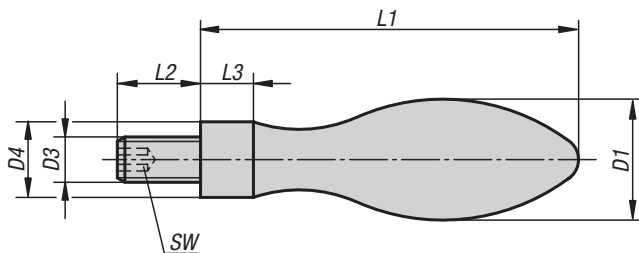


**Material:**  
Stainless steel 1.4305.

**Version:**  
Electropolished.

**Sample order:**  
K1199.0616050

**Note:**  
Machine handle suitable for DIN 950 handwheels.



### KIPP Machine handles, fixed, DIN 39 Form E, stainless steel

Order No.	D1	D3	D4	L1	L2	L3	SW
K1199.0616050	16	M6	10	50	11	7	3
K1199.0820064	20	M8	13	64	13	8	4
K1199.1025080	25	M10	16	80	14	10	5

# K0167

## Machine handles fixed

aluminium, DIN 39 Form E

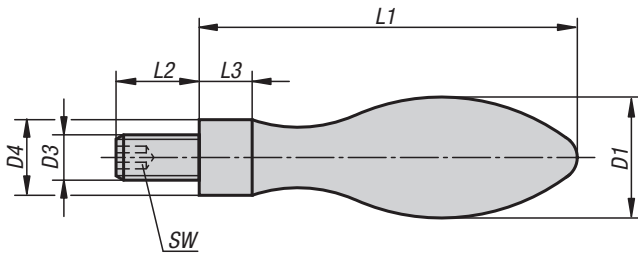


**Material:**  
Grip aluminium.  
Screw steel.

**Version:**  
Grip polished.  
Screw black.

**Sample order:**  
K0167.0616050

**Note:**  
Machine handle suitable for DIN 950 handwheels.



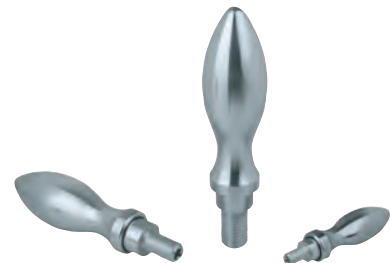
### KIPP Machine handles fixed, aluminium, DIN 39 Form E

Order No.	D1	D3	D4	L1	L2	L3	SW
K0167.0616050	16	M6	10	50	11	7	3
K0167.0820064	20	M8	13	64	13	8	4
K0167.1025080	25	M10	16	80	14	10	5
K0167.1232100	32	M12	20	100	21	13	6
K0167.1636112	36	M16	22	112	26	14	8

# K0168

## Machine handles revolving

similar to DIN 98 Form E, steel

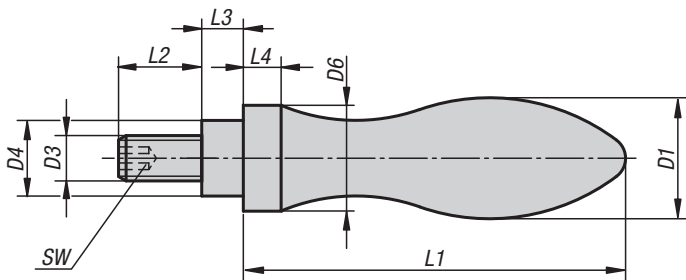


**Material:**  
Grip and screw steel.

**Version:**  
Grip and axle part galvanized and blue passivated.

**Sample order:**  
K0168.0616055

**Note:**  
Machine handles with D1=25 mm and 32 mm have a thread length L2 that is shorter than the length specified in DIN 98. Machine handles are suitable for DIN 950 handwheels.



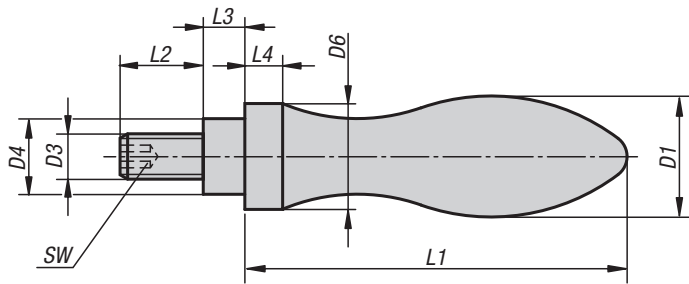
### KIPP Machine handles revolving, similar to DIN 98 Form E, steel

Order No.	D1	D3	D4	D6	L1	L2	L3	L4	SW
K0168.0616055	16	M6	10	14	49	11	5,5	5	3
K0168.0820067	20	M8	13	18	61	13	6	6	4
K0168.1025083	25	M10	16	21	75	13	8	6,5	5
K0168.1232105	32	M12	20	26	95	16	10,5	8	6
K0168.1636117	36	M16	22	29	106	26	11	9	8

# K0169

## Machine handles revolving

aluminium, similar to DIN 98 Form E



**Material:**  
Grip aluminium.  
Screw steel.

**Version:**  
Grip polished, axle part galvanized and blue passivated.

**Sample order:**  
K0169.0616055

**Note:**  
Machine handle suitable for DIN 950 handwheels.

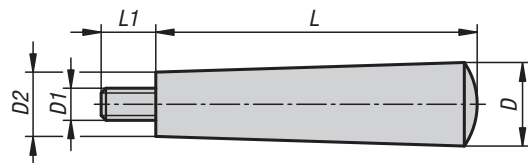


### KIPP Machine handles revolving, aluminium, similar to DIN 98 Form E

Order No.	D1	D3	D4	D6	L1	L2	L3	L4	SW
K0169.0616055	16	M6	10	14	49	11	5,5	5	3
K0169.0820067	20	M8	13	18	61	13	6	6	4
K0169.1025083	25	M10	16	21	75	13	8	6,5	5
K0169.1232105	32	M12	20	26	95	16	10,5	8	6
K0169.1636117	36	M16	22	29	106	26	11	9	8

# K1221

## Taper grips fixed



**Material:**  
Black Duroplast PF 31.  
Screw galvanized steel.

**Version:**  
High-gloss polished.

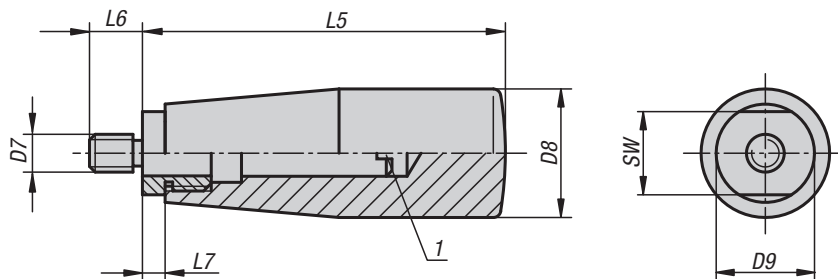
**Sample order:**  
K1221.120408

### KIPP Taper grips, fixed

Order No.	D	D1	D2	L	L1
K1221.120408	12	M4	9	40	8
K1221.150507	15	M5	11	50	7
K1221.180608	18	M6	13	64	8
K1221.210610	21	M6	15	72	10
K1221.210810	21	M8	15	72	10
K1221.250810	25	M8	17	90	10
K1221.261012	26	M10	20	100	12

# K0170

## Taper grips revolving



**Material:**

Black Duroplast PF 31.  
Axle and threaded bush galvanized steel or bright stainless steel.

**Version:**

High-gloss polished.

**Sample order:**

K0170.105007

**Note:**

To mount unscrew the axle.

**Drawing reference:**

1) mounting aid

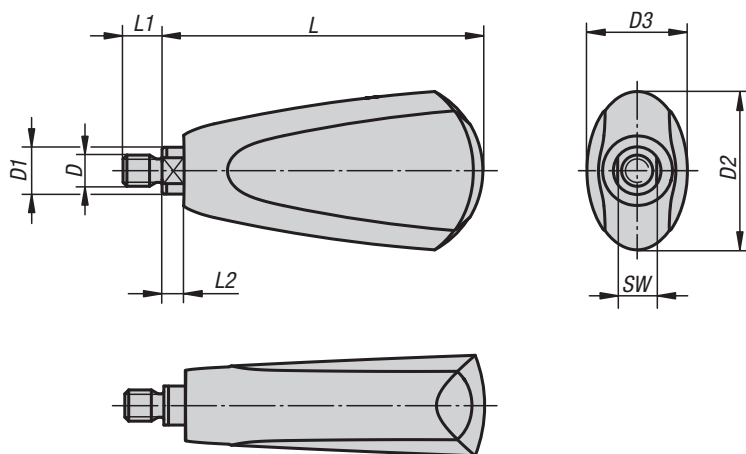
### KIPP Taper grips revolving

Order No. Steel	Order No. Stainless steel	Size	D7	D8	D9	L5	L6	L7	SW
K0170.105007	K0170.1105007	1	M5	17	15	51	7	5	13
K0170.206008	K0170.1206008	2	M6	23	18	68	8	6	16
K0170.208009	K0170.1208009	2	M8	23	18	68	9	6	16
K0170.310011	K0170.1310011	3	M10	28	21	77	11	7	19

# K0651

## Taper grips revolving

oval



**Material:**

Duroplast PF 31, black.  
Axle steel, nickel-plated or bright stainless steel 1.4305.  
Snap ring stainless steel 1.4310.

**Version:**

High-gloss polished.

**Sample order:**

K0651.106009

**Note:**

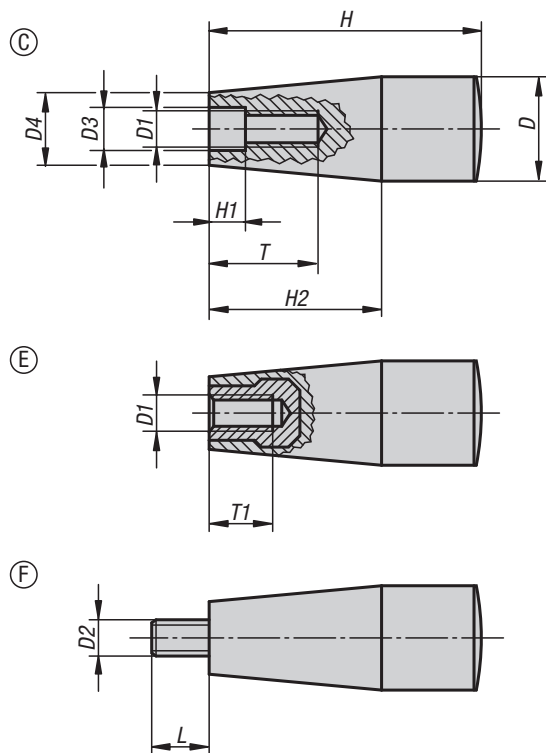
The grips are suitable for disc handwheels with revolving taper grip K0164.

### KIPP Taper grips revolving, oval

Order No. Steel	Order No. Stainless steel	Size	D	D1	D2	D3	L	L1	L2	SW
K0651.106009	K0651.1106009	1	M6	8	25	18	54,7	9	4,5	7
K0651.208010	K0651.1208010	2	M8	12	41	26	82,2	10	5,5	10

# K0172

## Taper grips



**Material:**  
Duroplast PF 31, black.  
Bush and stud galvanized steel.

**Version:**  
High-gloss polished.

**Sample order:**  
K0172.106

**Note:**  
The versions K0172.205 and K0172.206 have a brass bush.  
The versions K0172.208 and K0172.2081 have a copper-plated steel bush.

**On request:**  
Other colours.

**Drawing reference:**  
Form C: moulded female thread  
Form E: tapped bush  
Form F: male thread

### KIPP Taper grips with internal thread

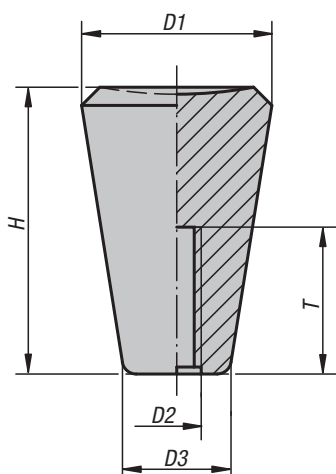
Order No.	Form	D	D1	D3	D4	H	H1	H2	T	T1
K0172.106	C	17	M6	6,2	15	45	2	26	14	-
K0172.108	C	17	M8	8,2	13	45	2	26	16	-
K0172.1081	C	23	M8	8,5	18	61	2	38	24	-
K0172.110	C	29	M10	10,5	21	71	3,5	42	28	-
K0172.205	E	17	M5	-	15	45	-	26	-	10
K0172.206	E	17	M6	-	15	45	-	26	-	9
K0172.208	E	23	M8	-	18	61	-	38	-	14
K0172.2081	E	28	M8	-	21	71	-	42	-	14

### KIPP Taper grips with external thread

Order No.	Form	D	D2	D4	H	H2	L
K0172.306	F	17	M6	15	45	26	18
K0172.308	F	23	M8	18	61	38	12
K0172.310	F	29	M10	21	71	42	20

# K1207

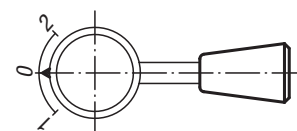
## Tapered knobs



**Material:**  
Black Duroplast PF 31

**Version:**  
Moulded thread.

**Sample order:**  
K1207.06



### KIPP Tapered knobs

Order No.	D1	D2	D3	H	T min.
K1207.05	20	M5	12	30	18
K1207.061	20	M6	12	30	18
K1207.06	25	M6	15	38	18
K1207.081	25	M8	15	38	18
K1207.08	30	M8	18	46	18
K1207.101	30	M10	18	46	21
K1207.10	35	M10	21	53	21
K1207.12	35	M12	21	53	21



**K1222**

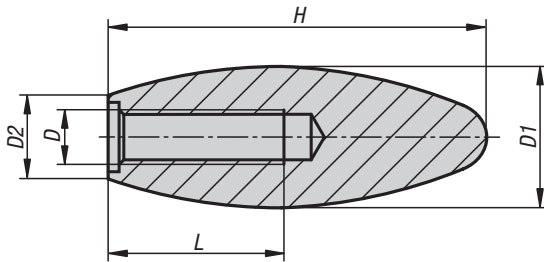
## Conical knobs



**Material:**  
Black Duroplast PF 31

**Version:**  
High-gloss polished.

**Sample order:**  
K1222.120

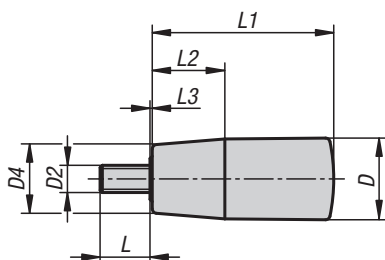


### KIPP Conical knobs

Order No.	D	D1	D2	H	L min.
K1222.060	M6	23	14	60	17
K1222.081	M8	26	16	70	19
K1222.101	M10	35	22	85	25
K1222.121	M12	35	22	85	25

# K1201

## Conical grip revolving



**Material:**  
 Duroplast PF 31, black.  
 Axle galvanised steel or bright stainless.

**Version:**  
 High-gloss polished.

**Sample order:**  
 K1201.10618

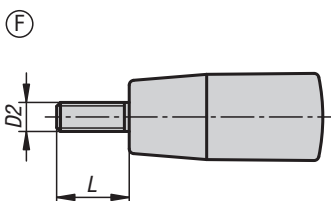
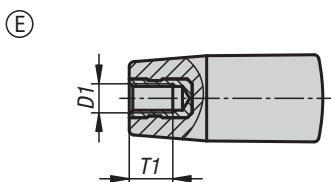
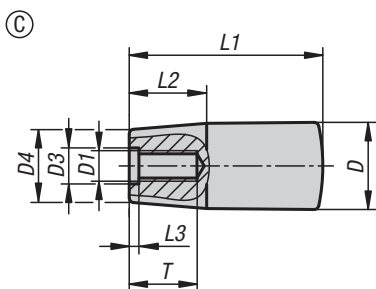
**Note:**  
 Cylindrical grips can be screwed onto our handwheels, crank handles etc.

### KIPP Conical grip revolving

Order No. steel	Order No. stainless steel	D	D2	D4	L	L1	L2	L3
K1201.0618	K1201.10618	18	M6	15	11	40	16	0,5
K1201.0823	K1201.10823	23	M8	19	13	65	24	0,5
K1201.1028	K1201.11028	28	M10	22	14	90	32	0,5

# K1202

## Taper grips



**Material:**  
Duroplast PF 31, black.  
Bush and stud galvanized steel.

**Version:**  
High-gloss polished.

**Sample order:**  
K1202.10818

**On request:**  
Other colours.

**Drawing reference:**  
Form C: moulded female thread  
Form E: tapped bush  
Form F: male thread

### KIPP Taper grips with female thread

Order No.	Form	D	D1	D3	D4	L1	L2	L3	T	T1
K1202.10618	C	18	M6	6,2	15	40	16	2	14	-
K1202.10818	C	18	M8	8,5	15	40	16	2	18	-
K1202.10823	C	23	M8	8,5	19	65	24	2	18	-
K1202.11028	C	28	M10	10,5	22	90	32	3,5	22	-
K1202.20518	E	18	M5	-	15	40	16	-	-	7,5
K1202.20618	E	18	M6	-	15	40	16	-	-	9
K1202.20823	E	23	M8	-	19	65	24	-	-	12
K1202.20828	E	28	M8	-	22	90	32	-	-	12
K1202.21028	E	28	M10	-	22	90	32	-	-	15

### KIPP Taper grips with male thread

Order No.	Form	D	D2	D4	L	L1	L2
K1202.30618	F	18	M6	15	15	40	16
K1202.30823	F	23	M8	19	15	65	24
K1202.31028	F	28	M10	22	15	90	32

# Handwheel washers



**Material:**  
Steel 1.0718.  
Stainless steel 1.4305.

**Version:**  
Steel black oxidised.  
Stainless steel bright.

**Sample order:**  
K0173.00416

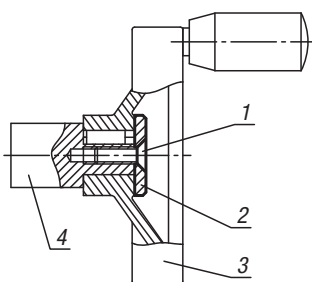
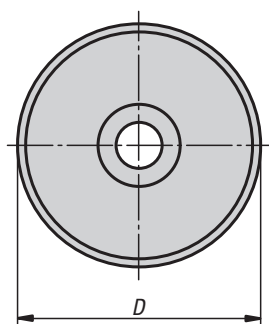
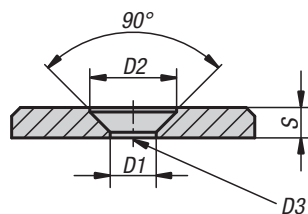
**Note:**  
These washers are used together with DIN EN ISO 2009 or DIN EN ISO 10642 countersunk screws on the end of shafts with keyways to secure handwheels and crank handles.

The washers can be used with the handwheels K0671, K0160, K0161, K0162, K0163, K0164, K0165.

The steel washers are often used as caps for magnets.

**Drawing reference:**  
D3 = for countersunk screw ISO 2009 and ISO 10642

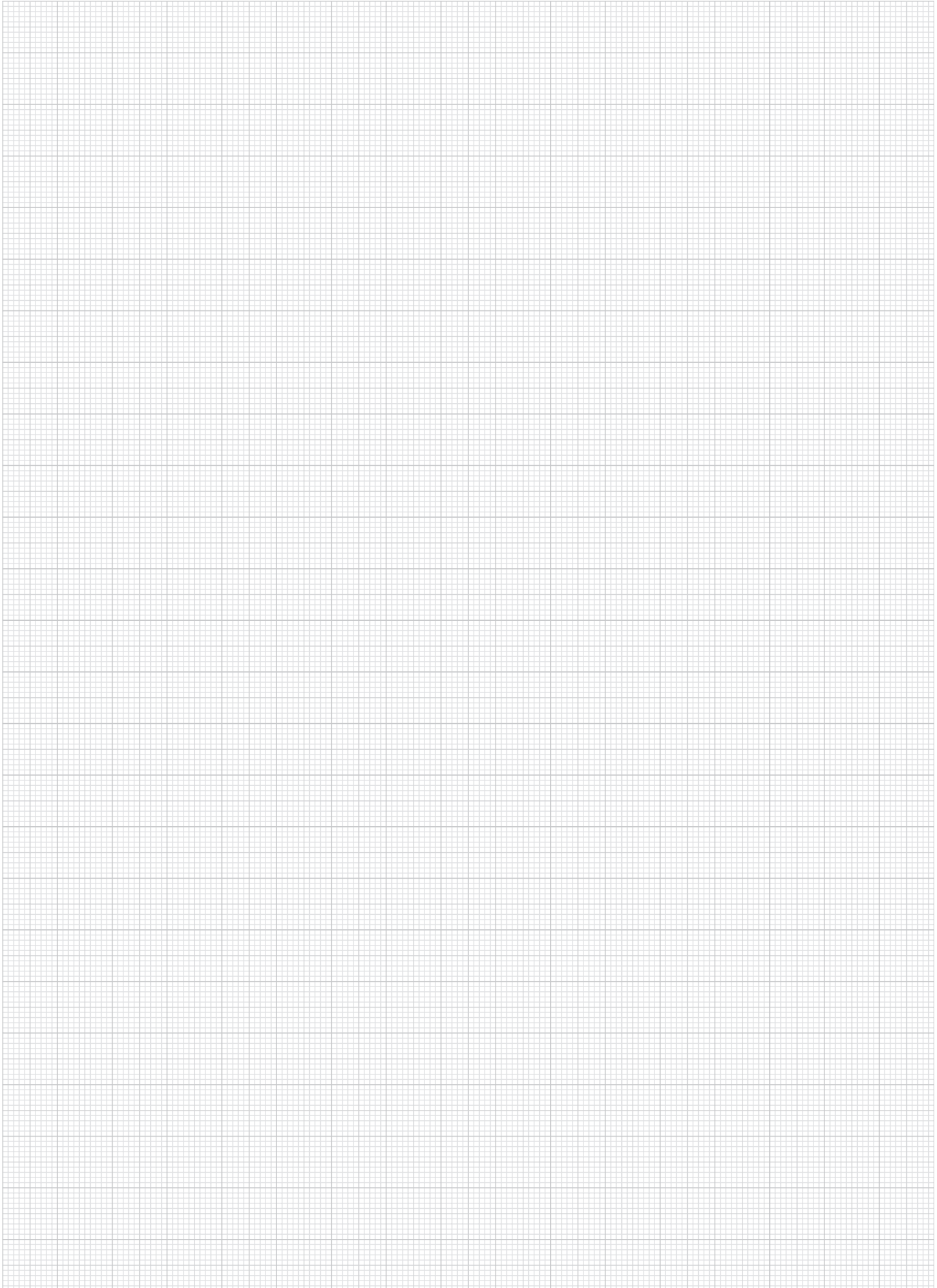
- 1) countersunk screw ISO 2009 and ISO 10642
- 2) washer
- 3) handwheel
- 4) shaft



## KIPP Handwheel washers

Order No. Steel	Order No. Stainless steel	D	D1	D2	D3	S
K0173.00310	K0173.10310	10	3,2	6	M3	2
K0173.00313	K0173.10313	13	3,2	6	M3	2
K0173.00416	K0173.10416	16	4,3	8,4	M4	3
K0173.00420	K0173.10420	20	4,3	8,4	M4	3
K0173.00522	K0173.10522	22	5,3	10	M5	3,5
K0173.00525	K0173.10525	25	5,3	10	M5	3,5
K0173.00528	K0173.10528	28	5,3	10	M5	3,5
K0173.00632	K0173.10632	32	6,4	12	M6	4
K0173.00636	K0173.10636	36	6,4	12	M6	4
K0173.00640	K0173.10640	40	6,4	12	M6	5
K0173.00645	K0173.10645	45	6,4	12	M6	6
K0173.00652	K0173.10652	52	6,4	12	M6	6

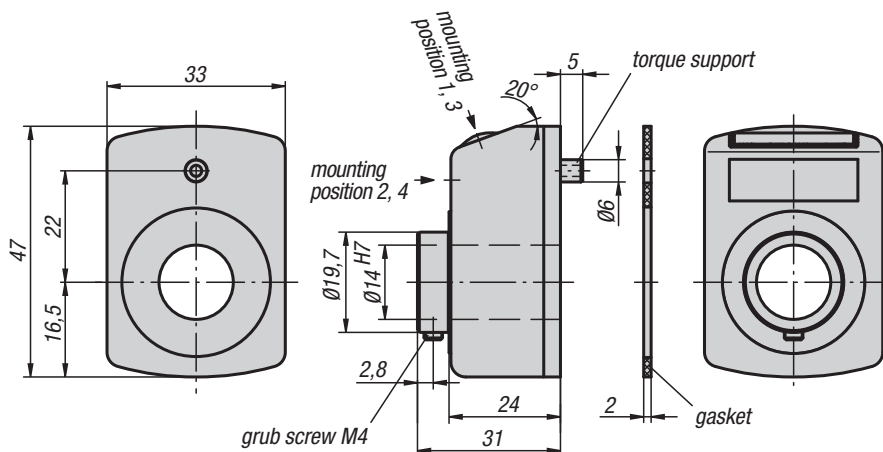
# Notes





# K0409

## Position indicators



**Material:**  
 Housing polyamide 6.  
 Hollow shaft steel.  
 Screen plastic.  
 Grub screw steel.

**Version:**  
 Impact-resistant housing.  
 Hollow shaft black oxidised.  
 Grub screw black.  
 Dial black, digits white.

**Sample order:**  
 K0409.01002111  
 (Position indicator with 1 mm pitch, decimal point in second position from the right, assembly position 1, direction of count ascending clockwise, colour orange)

**Note:**  
 Position indicators allow direct reading of input measurement values at a glance. In addition, the value indicated per spindle rotation (corresponding spindle pitch) can be selected and the various indicator values are realised by a transmission gear. The position indicators are distinguished by their small construction with very clear display and fine scale. They are especially suitable for small spindle distances and small shaft diameters and have a torque support that is positioned in a hole on the side.

\*\* At the 1st asterisk give assembly position and at the 2nd asterisk give the count direction (see sample order "assembly position, count direction").

**On request:**  
 – Counter cover made of mineral glass  
 – Stainless steel driveshaft  
 – Axial sealing (dust-proof)  
 – Vibration protection

**Accessories:**  
 – Reducing bushes K0412  
 – Insert plate K0413  
 – Mounting plates K0414

**Technical data:**  
 – Counter consisting of 4 10-position dials + fine scale  
 – Height of figures about 6 mm  
 – Hollow shaft Ø 14 H7 mm  
 – Temperature resistant to 80 °C  
 – Oil and solvent resistant

Display after one rotation, with decimal point:	Mounting position (1 - 4):
e. g. K0409.01002111 0100 = 1 mm increments 2 = decimal places	e. g. K0409.01002111 = mounting position 1

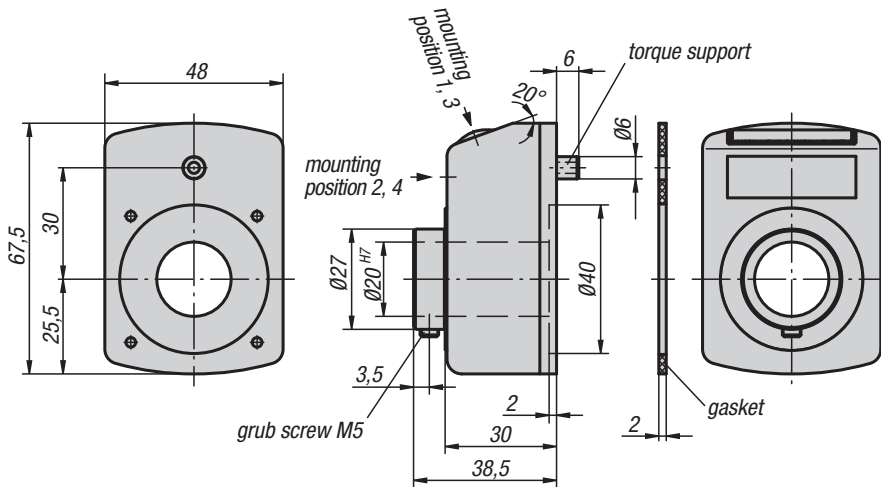
Count direction (1 - 2):	Colour (1 - 2):
e. g. K0409.01002111 1 = clockwise (ascending values) 2 = anticlockwise (ascending values)	e. g. K0409.01002111 1 = orange 2 = black

### KIPP Position indicators

Order No. orange	Order No. black	Pitch	Indicator after one rotation	Decimal point in position	max. speed U/min
K0409.01002**1	K0409.01002**2	1	00,10	2	500
K0409.01001**1	K0409.01001**2	1	001,0	1	500
K0409.01251**1	K0409.01251**2	1,25	001,2/5	1	500
K0409.01501**1	K0409.01501**2	1,5	001,5	1	500
K0409.02001**1	K0409.02001**2	2	002,0	1	500
K0409.02501**1	K0409.02501**2	2,5	002,5	1	500
K0409.03001**1	K0409.03001**2	3	003,0	1	500
K0409.04001**1	K0409.04001**2	4	004,0	1	375
K0409.05001**1	K0409.05001**2	5	005,0	1	300
K0409.06001**1	K0409.06001**2	6	006,0	1	250
K0409.08001**1	K0409.08001**2	8	008,0	1	180
K0409.10001**1	K0409.10001**2	10	010,0	1	150

# K0410

## Position indicators



**Material:**

Housing polyamide 6.  
Hollow shaft steel.  
Screen plastic.  
Grub screw steel.

**Version:**

Impact-resistant housing.  
Hollow shaft black oxidised.  
Grub screw black.  
Dial black, digits white.

**Sample order:**

K0410.01002111  
(Position indicator with 1 mm pitch, decimal point in second position from the right, assembly position 1, direction of count ascending clockwise, colour orange)

**Note:**

Position indicators allow direct reading of input measurement values at a glance. In addition the value indicated per spindle rotation (corresponding spindle pitch) can be selected and the various indicator values are realised by a transmission gear. The position indicators are distinguished by their very clear display and fine scale. They have a torque support that is positioned in a hole on the side.

\*\* At the 1st asterisk give assembly position and at the 2nd asterisk give the count direction (see sample order "assembly position, count direction").

**On request:**

- Counter cover made of mineral glass
- Stainless steel driveshaft
- Axial sealing (dust-proof)
- Waterproof
- Vibration protection

**Accessories:**

- Reducing bushes K0412
- Insert plate K0413
- Mounting plates K0414

**Technical data:**

- Counter consisting of 5 10-position dials + fine scale
- Height of figures about 7 mm
- Hollow shaft Ø 20 H7 mm
- Temperature resistant to 80 °C
- Oil and solvent resistant
- Dust-proof

Display after one rotation, with decimal point:	Mounting position (1 - 4):
e. g. K0410.01002111 0100 = 1 mm increments 2 = decimal places	e. g. K0410.01002111 = mounting position 1

Count direction (1 - 2):	Colour (1 - 2):
 e. g. K0410.01002111 1 = clockwise (ascending values) 2 = anticlockwise (ascending values)	 e. g. K0410.01002111 1 = orange 2 = black

### KIPP Position indicators

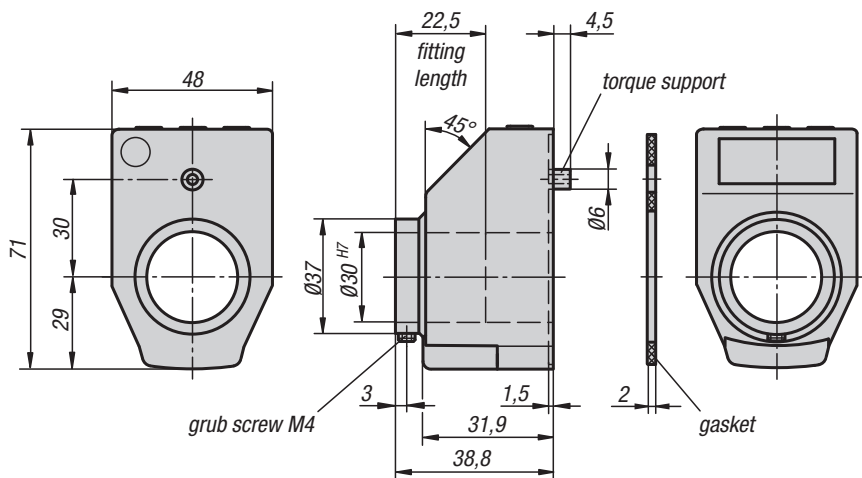
Order No. orange	Order No. black	Pitch	Indicator after one rotation	Decimal point in position	max. speed U/min
K0410.01002**1	K0410.01002**2	1	000,10	2	500
K0410.01001**1	K0410.01001**2	1	0001,0	1	500
K0410.01501**1	K0410.01501**2	1,5	0001,5	1	500
K0410.02001**1	K0410.02001**2	2	0002,0	1	500
K0410.02501**1	K0410.02501**2	2,5	0002,5	1	500
K0410.03001**1	K0410.03001**2	3	0003,0	1	500
K0410.04001**1	K0410.04001**2	4	0004,0	1	450
K0410.05001**1	K0410.05001**2	5	0005,0	1	300
K0410.06001**1	K0410.06001**2	6	0006,0	1	250
K0410.10001**1	K0410.10001**2	10	0010,0	1	150



# K0411

## Position indicators

freely programmable



**Material:**

Housing plastic.  
Hollow shaft steel.  
Screen LCD display.  
Grub screw steel.

**Version:**

Hollow shaft black oxidised.  
Grub screw black.

**Sample order not programmed:**

K0411.12  
(Position indicator with assembly position 1, colour black)

**Sample order programmed:**

K0411.0200021120  
(See ordering example on the next page)

**Note:**

The electronic position indicators offer diverse opportunities compared to mechanical position indicators because they display angles as well as uncommon spindle pitches and record each fraction of spindle movement.

\* Freely programmable parameters using the programming software K0411.09.

**Features:**

- indicated value and decimal point freely programmable
- linear or angle mode
- function key for zero-point position
- function key for switching between the absolute dimension and chain dimension
- programming of an offset value directly at the device
- easy battery change

**Accessories:**

- reducing bushes K0412
- programming software K0411.09

**Technical data:**

- LCD Display with 5 digits
- Digit size approx. 11.5 mm
- Display range from -19999 ... 99999
- Tunular shaft Ø 30 H7 mm
- Operating temperature -10 °C to +60 °C
- Storage temperature -30 °C to +80 °C
- Revolution max. 600 rpm
- Lithium battery Button cell 3V, type CR 2032. service life approx. 2 years
- Vibration-resistance according to DIN IEC 68-2-6 10 g / (5 ... 150 Hz), 20 g / (100 ... 2000 Hz)
- Shock-resistance according to DIN IEC 68-2-27 30 g / 15 ms
- EMC DIN EN 61000-4-2; DIN EN 61000-4-4
- Type of protection IP 51

**KIPP Position indicators programmed**

Order No.	Version
K0411.	See sample order for position Indicators programmed

**KIPP Position indicators not programmed\***

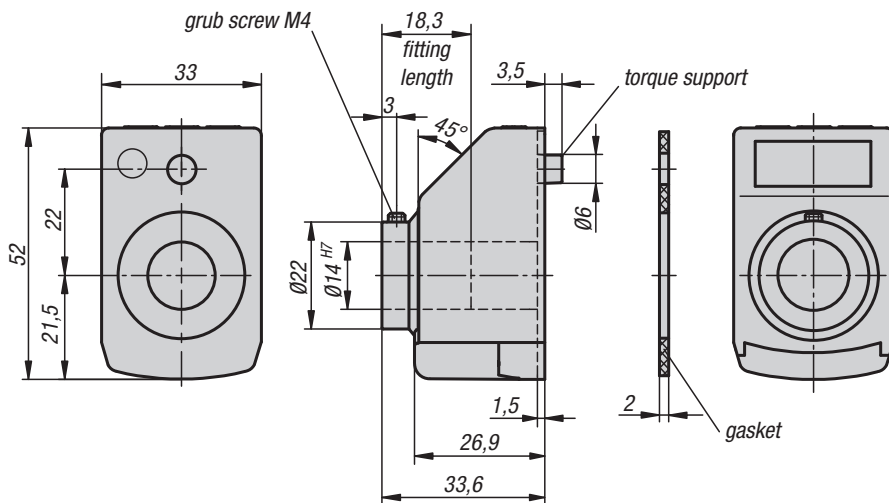
Order No.	Colour	Assembly position	Pitch	Indicator after one rotation	Decimal point in position	Count direction	Zero-point position	Order No. software
K0411.11	orange	1	freely programmable	freely programmable	freely programmable	freely programmable	freely programmable	K0411.09
K0411.12	black	1	freely programmable	freely programmable	freely programmable	freely programmable	freely programmable	K0411.09
K0411.31	orange	3	freely programmable	freely programmable	freely programmable	freely programmable	freely programmable	K0411.09
K0411.32	black	3	freely programmable	freely programmable	freely programmable	freely programmable	freely programmable	K0411.09

# K0771



## Position indicators

freely programmable



**Material:**

Housing plastic.  
 Hollow shaft steel.  
 Screen LCD display.  
 Grub screw steel.

**Version:**

Hollow shaft black oxidised.  
 Grub screw black.

**Sample order not programmed:**

K0771-12  
 (position indicator with assembly position 1, colour black)

**Sample order programmed:**

K0771.0200021120  
 (see sample order on following page)

**Note:**

The electronic position indicators offer diverse opportunities compared to mechanical position indicators because they display angles as well as uncommon spindle pitches and record each fraction of spindle movement.

\* Freely programmable parameters using the programming software K0411.09.

**Features:**

- indicated value and decimal point freely programmable
- linear or angle mode
- function key for zero-point position
- function key for switching between the absolute dimension and chain dimension
- programming of an offset value directly at the device
- easy battery change

**Accessories:**

- reducing bushes K0412
- programming software K0411.09

**Technical data:**

- LCD Display with 5 digits
- Digit size approx. 8 mm
- Display range from -19999 ... 99999
- Hollow shaft Ø 14 H7 mm
- Operating temperature -10 °C to +60 °C
- Storage temperature -30 °C to +80 °C
- Revolution max. 600 rpm
- Lithium battery button cell 3V, type CR 2032. service life ca. 2 years
- Vibration-resistance acc. to DIN IEC 68-2-6 10 g / (5 ... 150 Hz), 20 g / (100 ... 2000 Hz)
- Shock-resistance acc. to DIN IEC 68-2-27 30 g / 15 ms
- EMC DIN EN 61000-4-2; DIN EN 61000-4-4
- Protection IP 51

**KIPP Position indicators programmed**

Order No.	Version
K0771.	See sample order for position Indicators programmed

**KIPP Position indicators not programmed\***

Order No.	Colour	Assembly position	Pitch	Indicator after one rotation	Decimal point in position	Count direction	Zero-point position	Order No. software
K0771.11	orange	1	freely programmable	freely programmable	freely programmable	freely programmable	freely programmable	K0411.09
K0771.12	black	1	freely programmable	freely programmable	freely programmable	freely programmable	freely programmable	K0411.09
K0771.31	orange	3	freely programmable	freely programmable	freely programmable	freely programmable	freely programmable	K0411.09
K0771.32	black	3	freely programmable	freely programmable	freely programmable	freely programmable	freely programmable	K0411.09



# Sample order for programmed position indicators K0411 and K0771

## Order code:

K0411.

### Indicator after one rotation:

e.g. K0411.0200021120  
Please indicate here which value is to be displayed after one rotation (this is usually the spindle pitch).

#### Important:

Please note the decimal point position!



#### Angle mode:

(resolution 0.1°)  
If you want the display to be in angle mode, enter 03600.

The display in angle mode is 03600 after one rotation and returns to 00000 for the next rotation.

### Decimal point position:

e.g. K0411.0200021120  
Please indicate here how many decimal places you require.

- 0 = 00000
- 1 = 0000.0
- 2 = 000.00
- 3 = 00.000



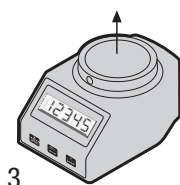
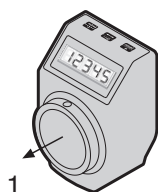
#### Angle mode:

If you want the display to be in angle mode, the decimal point is best put in position 1.

This means the display shows the value 0360.0 after one rotation.

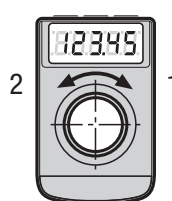
### Assembly position:

e.g. K0411.0200021120  
1 = Mounting position for horizontal spindle  
3 = Mounting position for vertical spindle



### Count direction:

e.g. K0411.0200021120  
1 = clockwise (ascending values)  
2 = anticlockwise (ascending values)



2

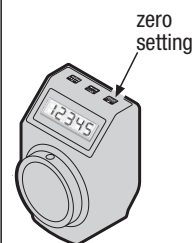
### Colour:

e.g. K0411.0200021120  
1 = orange  
2 = black



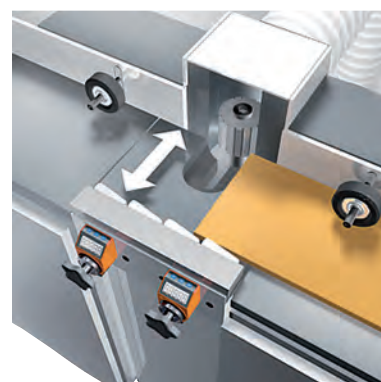
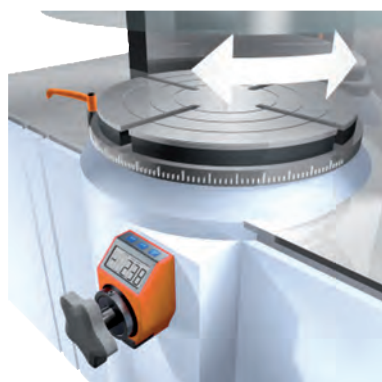
### Zero-point position:

e.g. K0411.0200021120  
0 = directly  
5 = delayed by 5 sec.



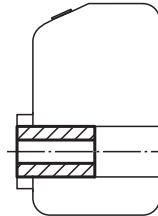
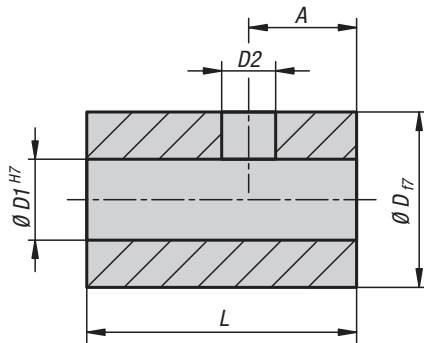
The Zero-point position can be delayed by 5 sec. by means of a parameter, in order to avoid accidental zero setting.

## Application using position indicators



# K0412

## Reducing bushings



**Material:**  
Steel.

**Version:**  
Black oxidised.

**Sample order:**  
K0412.1408 (diameter D1=8)

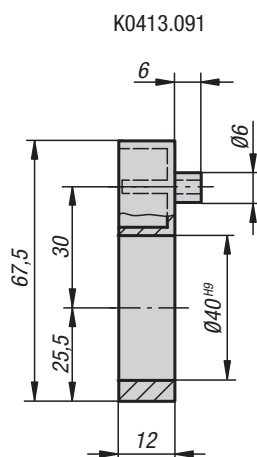
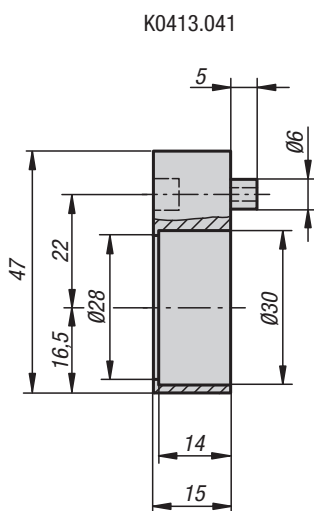
**Note:**  
Reducing bushes are used for adapting the diameter between position indicator and positioning spindle.

### KIPP Reducing bushings

Order No.	A	D	D1	D2	L	Suitable for position indicator
K0412.10**	2,5	10	6/8	3,2	14	K0408
K0412.14**	3,5	14	6/8/10/12	4,2	17	K0409
K0412.20**	4,5	20	12/14/16/18	5,5	20	K0410
K0412.30**	4	30	12/14/16/18/20/25	5,5	30	K0411

# K0413

## Intermediate plates



**Material:**  
Plastic

**Sample order:**  
K0413.041

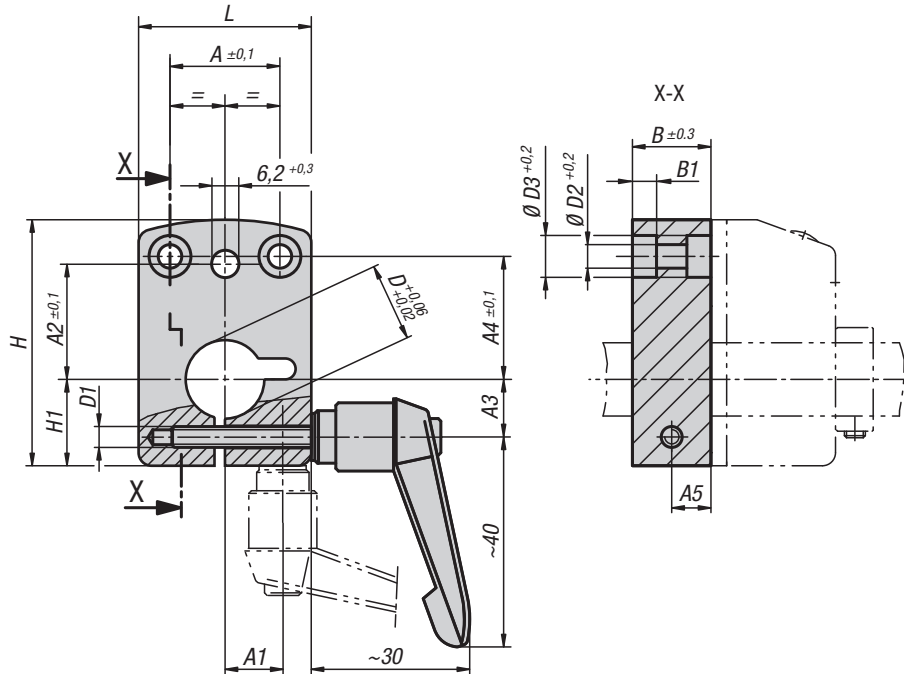
**Note:**  
Intermediate plates are used for mounting shaft collars and radial shaft seals.

### KIPP Intermediate plates

Order No.	Suitable for position indicator
K0413.041	K0409, K0771
K0413.091	K0410, K0411

# K0414

## Mounting brackets



**Material:**

Mounting position 1, housing die-cast zinc  
Mounting position 3, housing aluminium.

Clamping lever plastic.

**Version:**

Housing anodized.  
Clamping lever black grey.

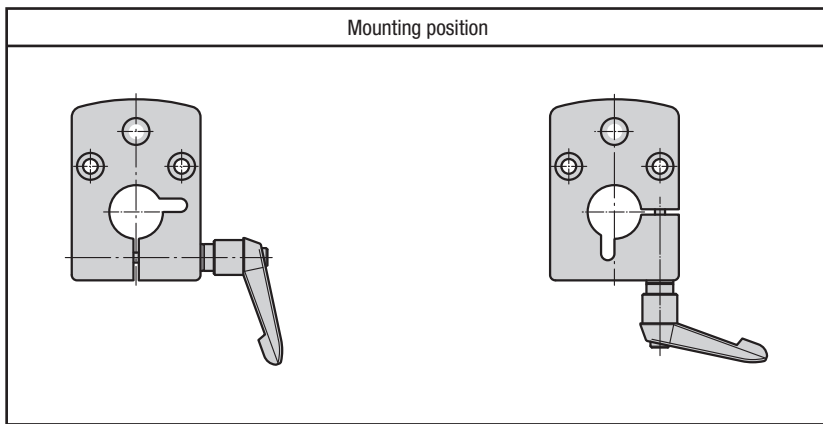
**Sample order:**

K0414.09121

**Note:**

Mounting brackets and position indicators form a compact unit. The brackets guarantee reliable spindle clamping without additional construction work.

The simple assembly allows the retrofitting on existing equipment.



K0414. ....1

K0414. ....3



### KIPP Mounting brackets

Order No. assembly position 1	Order No. assembly position 3	A	A1	A2	A3	A4	A5	B	B1	D	D1	D2	D3	H	H1	L	Suitable for position indicator
K0414.04081	K0414.04083	21	-/11	22	11/-	23,5	7,5	15	4,6	8	M4	4,5	8	47	16,5	33	K0409
K0414.04101	K0414.04103	21	-/11	22	11/-	23,5	7,5	15	4,6	10	M4	4,5	8	47	16,5	33	K0409
K0414.04121	K0414.04123	21	-/11	22	11/-	23,5	7,5	15	4,6	12	M4	4,5	8	47	16,5	33	K0409
K0414.04141	K0414.04143	21	-/11	22	11/-	23,5	7,5	15	4,6	14	M4	4,5	8	47	16,5	33	K0409
K0414.09121	K0414.09123	34	-/17	30	17/-	17	10	20	5,5	12	M5	5,5	10	67,5	25,5	48	K0410
K0414.09141	K0414.09143	34	-/17	30	17/-	17	10	20	5,5	14	M5	5,5	10	67,5	25,5	48	K0410
K0414.09161	K0414.09163	34	-/17	30	17/-	17	10	20	5,5	16	M5	5,5	10	67,5	25,5	48	K0410
K0414.09201	K0414.09203	34	-/17	30	17/-	17	10	20	5,5	20	M5	5,5	10	67,5	25,5	48	K0410