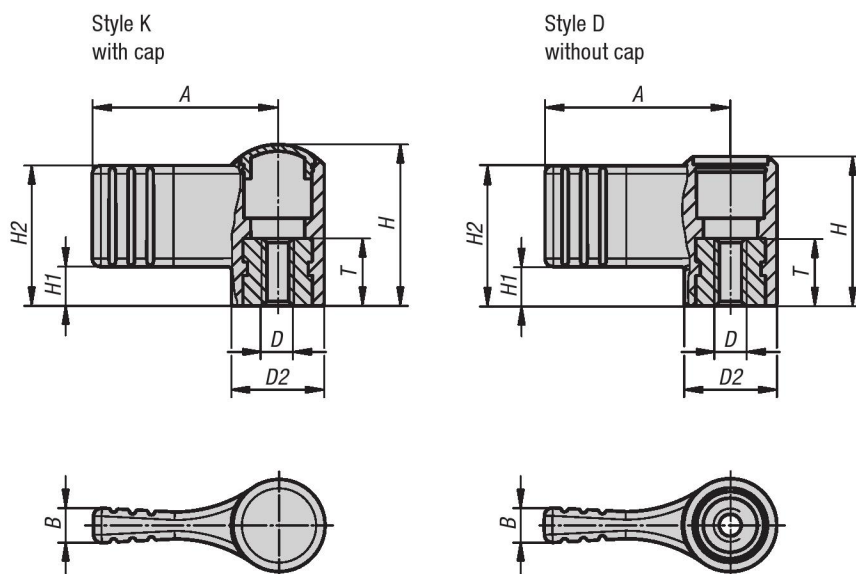




# Wing Grips one-sided

METRIC  
Parts



**Material:**

Black gray thermoplastic.  
Bushing steel 5.8, or  
stainless steel 1.4305.

**Type:**

Black gray.  
Bushing blue chromate or  
stainless steel natural finish.

**Part Number Example:**

K0608.09046  
(M4 bushing in stainless steel, cap traffic red.)

**Note:**

Δ Add the desired cap color here. No color code  
is required for black gray caps.



## KIPP Wing Grips, one-sided with cap, metric

Item No. bushing in steel	Item No. bushing in stainless steel	Style	Size	D	D2	A	B	H	H1	H2	T
K0608.904Δ	K0608.0904Δ	K	9	M4	12	22	4,4	18	4,5	15,5	10
K0608.905Δ	K0608.0905Δ	K	9	M5	12	22	4,4	18	4,5	15,5	10
K0608.906Δ	K0608.0906Δ	K	9	M6	12	22	4,4	18	4,5	15,5	10
K0608.105Δ	K0608.0105Δ	K	1	M5	14	27,5	5,1	24	5,8	20,8	10
K0608.106Δ	K0608.0106Δ	K	1	M6	14	27,5	5,1	24	5,8	20,8	10
K0608.208Δ	K0608.0208Δ	K	2	M8	21	37,5	6,3	36	8,5	30,5	14
K0608.210Δ	K0608.0210Δ	K	2	M10	21	37,5	6,3	36	8,5	30,5	14

## KIPP Wing grips, one-sided without cap, metric

Item No. bushing in steel	Item No. bushing in stainless steel	Style	Size	D	D2	A	B	H	H1	H2	T
K0608.1904	K0608.10904	D	9	M4	12	22	4,4	16,1	4,5	15,5	10
K0608.1905	K0608.10905	D	9	M5	12	22	4,4	16,1	4,5	15,5	10
K0608.1906	K0608.10906	D	9	M6	12	22	4,4	16,1	4,5	15,5	10
K0608.1105	K0608.10105	D	1	M5	14	27,5	5,1	22,1	5,8	20,8	10
K0608.1106	K0608.10106	D	1	M6	14	27,5	5,1	22,1	5,8	20,8	10
K0608.1208	K0608.10208	D	2	M8	21	37,5	6,3	33,3	8,5	30,5	14
K0608.1210	K0608.10210	D	2	M10	21	37,5	6,3	33,3	8,5	30,5	14