

Latches



K0043



Latches

with spring clip



Material:
Steel or stainless steel 1.4301.

Version:
Galvanised and blue passivated
Stainless steel bright.

Sample order:
Latch K0043.1430701
Catch plate K0043.9143111

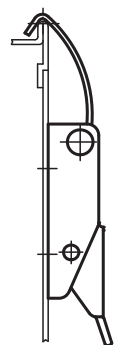
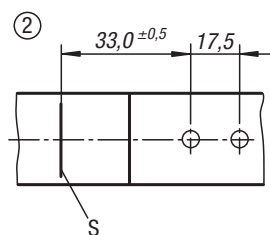
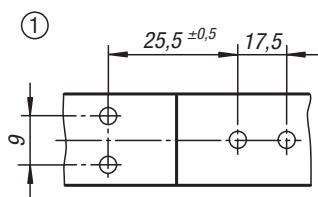
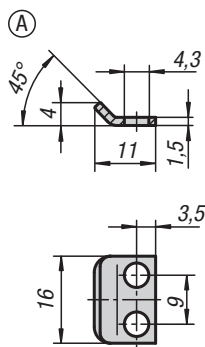
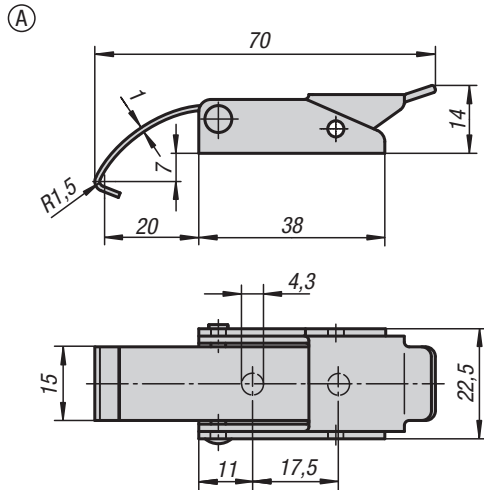
Note:
Latches with spring clips for safe holding and locking of hatches, container lids, machine cladding etc. By exceeding the dead centre they resist vibration. The locking force is applied by tensioning a spring clip.

The latches can be screwed down or riveted.

Order catch plates separately.

The retaining force F1 applies to the latch, not the catch plate.

Drawing reference:
1) Hole arrangement for mounting with catch plate
2) Hole arrangement for mounting without catch plate
S = contact edge



KIPP Latches with spring clip

Order No. Steel	Order No. Stainless steel	Form	Retaining force F1 N
K0043.1430701	K0043.1430702	A	500

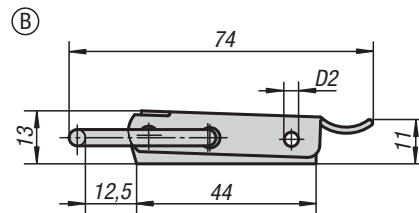
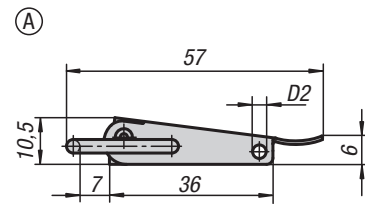
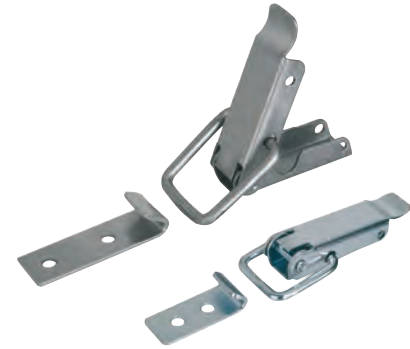
KIPP Catch plates

Order No. Steel	Order No. Stainless steel	Form
K0043.9143111	K0043.9143112	A

K0044

Latches

with draw bail



Material:

Steel or stainless steel 1.4301.

Version:

Galvanised and blue passivated
Stainless steel bright.

Sample order:

Latch K0044.1330571

Catch plate K0044.9136281

Note:

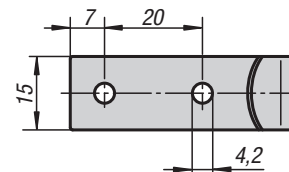
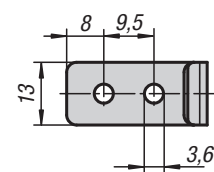
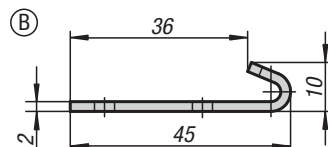
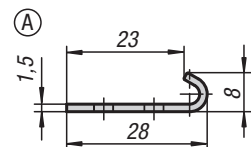
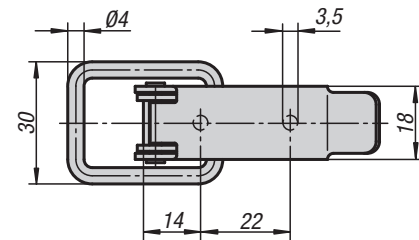
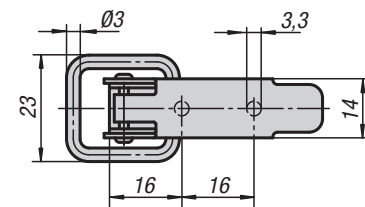
Latches with draw bail for safe holding and locking of hatches, container lids, machine cladding etc. By exceeding the dead centre they resist vibration. The locking force is applied by drawing on the bail.

The hole $D2$ can be used to secure against unintentional opening or attaching an official lead seal.

The latches can be screwed down or riveted.

Order catch plates separately.

The retaining force $F1$ applies to the latch, not the catch plate.



KIPP Latches with draw bail

Order No. Steel	Order No. Stainless steel	Form	D2	Retaining force F1 N
K0044.1330571	K0044.1330572	A	2,8	1000
K0044.2350741	K0044.2350742	B	3,2	2000

KIPP Catch plates

Order No. Steel	Order No. Stainless steel	Form
K0044.9136281	K0044.9136282	A
K0044.9242451	K0044.9242452	B

K0045

Latches

with draw bail



Material:
Steel or stainless steel 1.4301.

Version:
Galvanised and blue passivated
Stainless steel bright.

Sample order:
Latch K0045.1541091
Catch plate K0045.9143371

Note:
Latches with draw bail for safe holding and locking of hatches, container lids, machine cladding etc. By exceeding the dead centre they resist vibration. The locking force is applied by drawing on the bail.

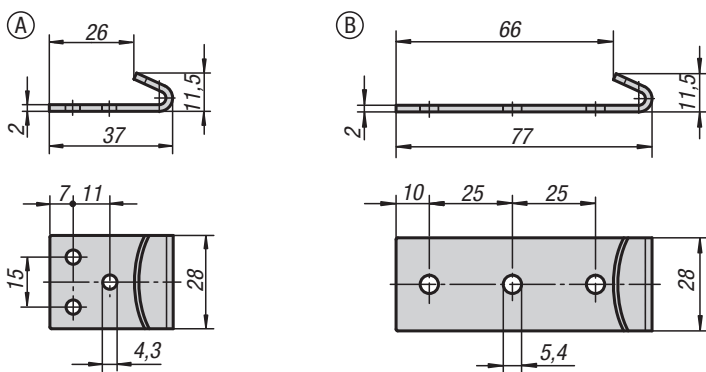
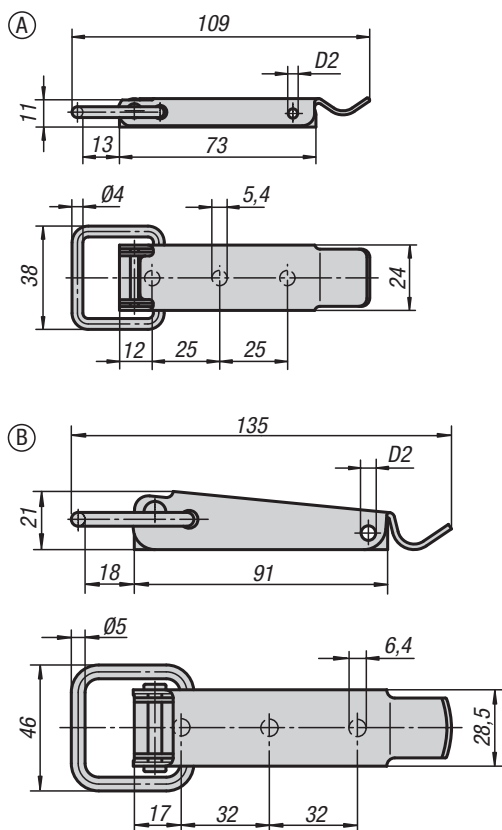
The hole D2 can be used to secure against unintentional opening or attaching an official lead seal.

The latches can be screwed down or riveted.

Order catch plates separately.

The retaining force F1 applies to the latch, not the catch plate.

On request:
Lockable version with padlock bracket.



KIPP Latches with draw bail

Order No. Steel	Order No. Stainless steel	Form	D2	Retaining force F1 N
K0045.1541091	K0045.1541092	A	3,2	2000
K0045.2641351	K0045.2641352	B	3,8	3000

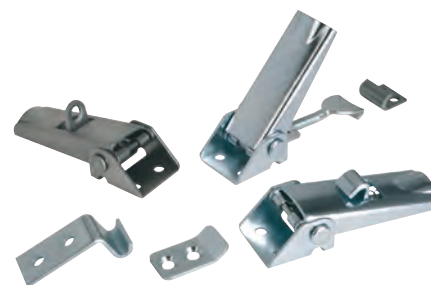
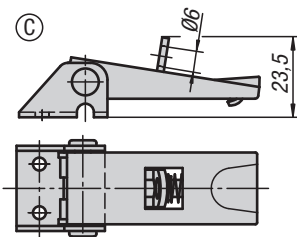
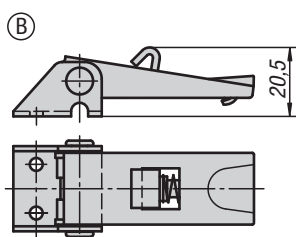
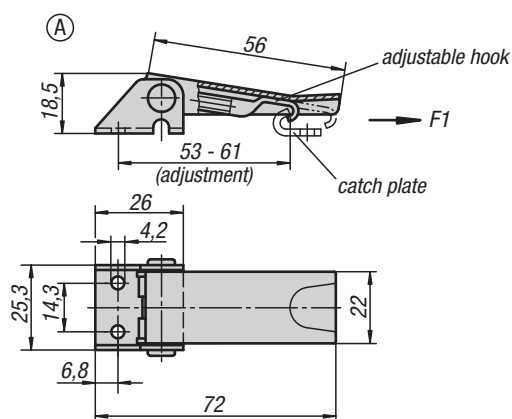
KIPP Catch plates

Order No. Steel	Order No. Stainless steel	Form
K0045.9143371	K0045.9143372	A
K0045.9254771	K0045.9254772	B

K0046

Latches adjustable

fastening holes accessible



Material:
Steel or stainless steel 1.4301.

Version:
Galvanised and blue passivated
Stainless steel bright.

Sample order:
Latch K0046.1420721
Catch plate K0046.9142141

Note:
Adjustable latches are safe locking systems for industrial applications. By exceeding the dead centre they resist vibration.

After the hook is engaged with the catch plate, by pushing the lever down the parts to be locked can be drawn together by up to 5 mm.

To compensate for tolerances or to create enough tension, the hook length can be adjusted using the M5 threaded spindle.

The latches can be screwed down or riveted.

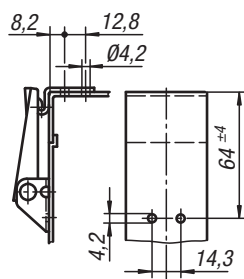
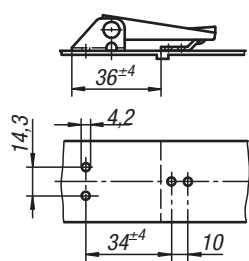
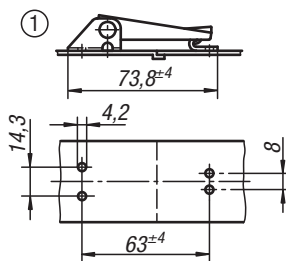
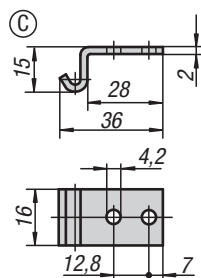
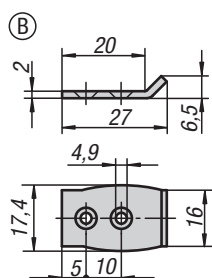
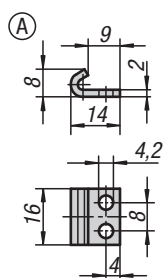
Any catch plate can be combined with any latch.

Order required catch plate version separately.

The retaining force F1 applies to the latch, not the catch plate.

Drawing reference:
Form A standard
Form B with lock
Form C with padlock hole

1) Hole arrangements for assembly with catch plate



KIPP Latches adjustable, fastening holes accessible

Order No. Steel	Order No. Stainless steel	Form	Retaining force F1 N
K0046.1420721	K0046.1420722	A	1000
K0046.2420721	K0046.2420722	B	1000
K0046.3420721	K0046.3420722	C	1000

KIPP Catch plates

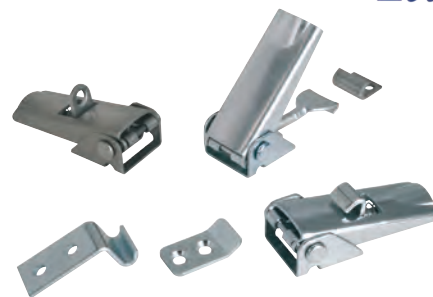
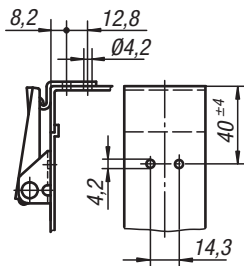
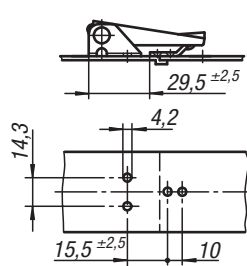
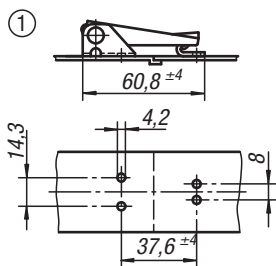
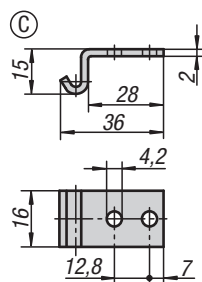
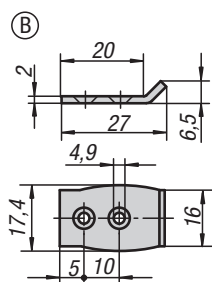
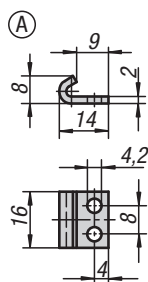
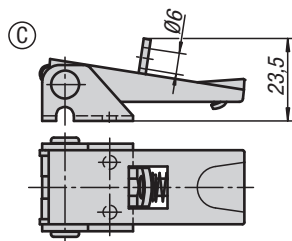
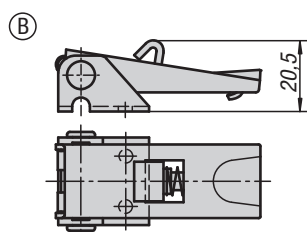
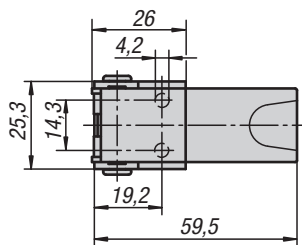
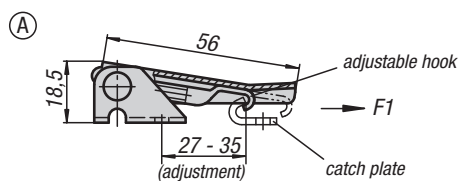
Order No. Steel	Order No. Stainless steel	Form
K0046.9142141	K0046.9142142	A
K0046.9242271	K0046.9242272	B
K0046.9342381	K0046.9342382	C

K0047



Latches adjustable

fastening holes covered



Material:
Steel or stainless steel 1.4301.

Version:
Galvanised and blue passivated
Stainless steel bright.

Sample order:
Latch K0047.1420601
Catch plate K0046.9142141

Note:
Adjustable latches are safe locking systems for industrial applications. By exceeding the dead centre they resist vibration.

After the hook is engaged with the catch plate, by pushing the lever down the parts to be locked can be drawn together by up to 5 mm.

To compensate for tolerances or to create enough tension, the hook length can be adjusted using the M5 threaded spindle.

The latches can be screwed down or riveted.

Any catch plate can be combined with any latch.

Order required catch plate version separately.

The retaining force F1 applies to the latch, not the catch plate.

Drawing reference:
Form A standard
Form B with lock
Form C with padlock hole

1) Hole arrangements for assembly with catch plate

KIPP Latches adjustable, fastening holes covered

Order No. Steel	Order No. Stainless steel	Form	Retaining force F1 N
K0047.1420601	K0047.1420602	A	1000
K0047.2420601	K0047.2420602	B	1000
K0047.3420601	K0047.3420602	C	1000

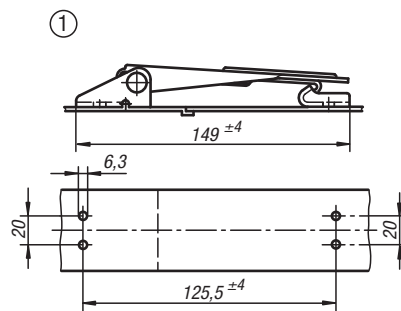
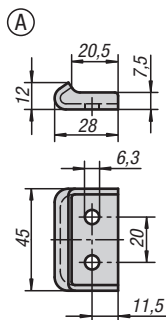
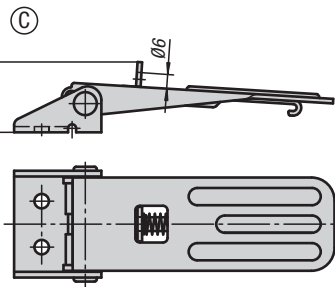
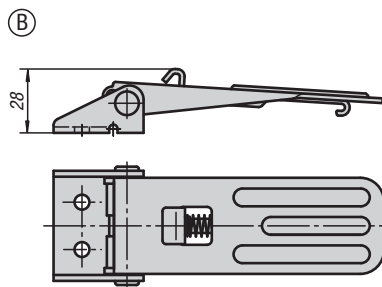
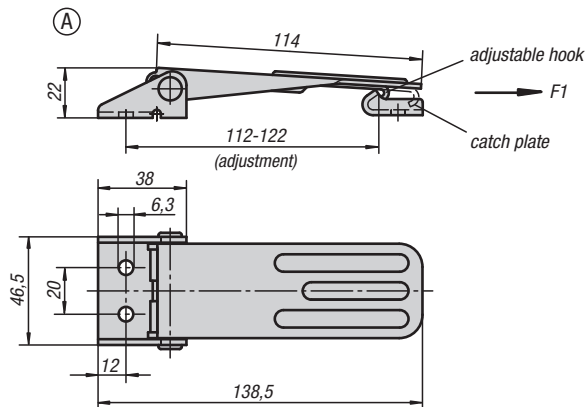
KIPP Catch plates

Order No. Steel	Order No. Stainless steel	Form
K0046.9142141	K0046.9142142	A
K0046.9242271	K0046.9242272	B
K0046.9342381	K0046.9342382	C

K0048

Latches adjustable

fastening holes accessible



Material:

Steel or stainless steel 1.4301.

Version:

Galvanised and blue passivated
Stainless steel bright.

Sample order:

Latch K0048.1631391
Catch plate K0048.9163281

Note:

Adjustable latches are safe locking systems for industrial applications. By exceeding the dead centre they resist vibration. These latches are very robust and have a low overall height.

After the hook is engaged with the catch plate, by pushing the lever down the parts to be locked can be drawn together by up to 6 mm. To compensate for tolerances or to create enough tension, the hook length can be adjusted using the M6 threaded spindle.

The latches can be screwed down or riveted.

Order required catch plate separately.

The retaining force F1 applies to the latch, not the catch plate.

Drawing reference:

Form A standard
Form B with lock
Form C with padlock hole

1) Hole arrangement for assembly with catch plate

KIPP Latches adjustable, fastening holes accessible

Order No. Steel	Order No. Stainless steel	Form	Retaining force F1 N
K0048.1631391	K0048.1631392	A	4000
K0048.2631391	K0048.2631392	B	4000
K0048.3631391	K0048.3631392	C	4000

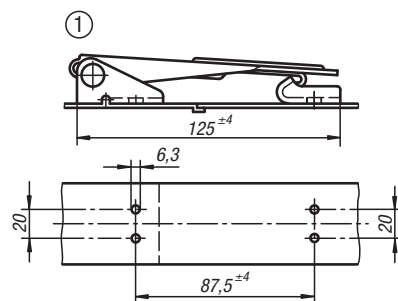
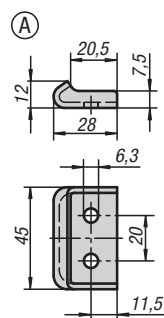
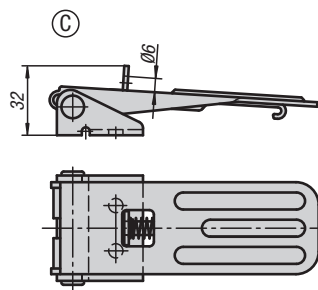
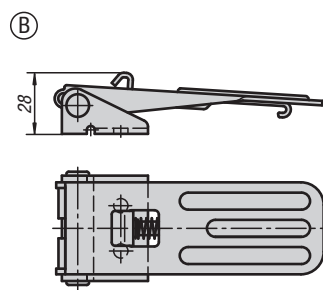
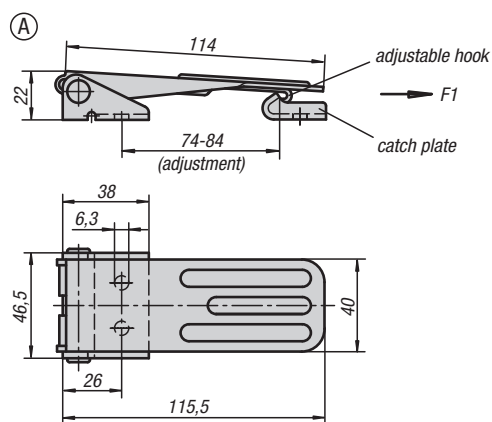
KIPP Catch plates

Order No. Steel	Order No. Stainless steel	Form
K0048.9163281	K0048.9163282	A

K0049

Latches adjustable

fastening holes covered



Material:
Steel or stainless steel 1.4301.

Version:
Galvanised and blue passivated
Stainless steel bright.

Sample order:
Latch K0049.1631161
Catch plate K0048.9163281

Note:
Adjustable latches are safe locking systems for industrial applications. By exceeding the dead centre they resist vibration. These latches are very robust and have a low overall height.

After the hook is engaged with the catch plate, by pushing the lever down the parts to be locked can be drawn together by up to 6 mm. To compensate for tolerances or to create enough tension, the hook length can be adjusted using the M6 threaded spindle.

The latches can be screwed down or riveted.

Order required catch plate separately.

The retaining force F1 applies to the latch, not the catch plate.

Drawing reference:
Form A standard
Form B with lock
Form C with padlock hole

1) Hole arrangement for assembly with catch plate

KIPP Latches adjustable, fastening holes covered

Order No. Steel	Order No. Stainless steel	Form	Retaining force F1 N
K0049.1631161	K0049.1631162	A	4000
K0049.2631161	K0049.2631162	B	4000
K0049.3631161	K0049.3631162	C	4000

KIPP Catch plates

Order No. Steel	Order No. Stainless steel	Form
K0048.9163281	K0048.9163282	A

K0050

Latches adjustable

with swing bail



Material:
Steel or stainless steel 1.4301.

Version:
Galvanised and blue passivated
Stainless steel bright.

Sample order:
Latch K0050.1421121
Catch plate K0050.9135211

Note:
Adjustable latches are safe locking systems for industrial applications. By exceeding the dead centre they resist vibration. To compensate for tolerances the latch has a swing mounted bail.

After the bail is engaged with the catch plate, by pushing the lever down the parts to be locked can be drawn together by up to 15 mm. To compensate for tolerances or to create enough tension the bail length can be adjusted by the M6 threaded spindle.

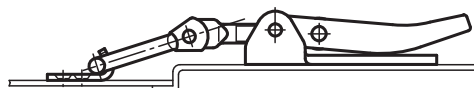
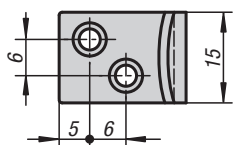
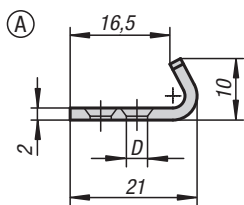
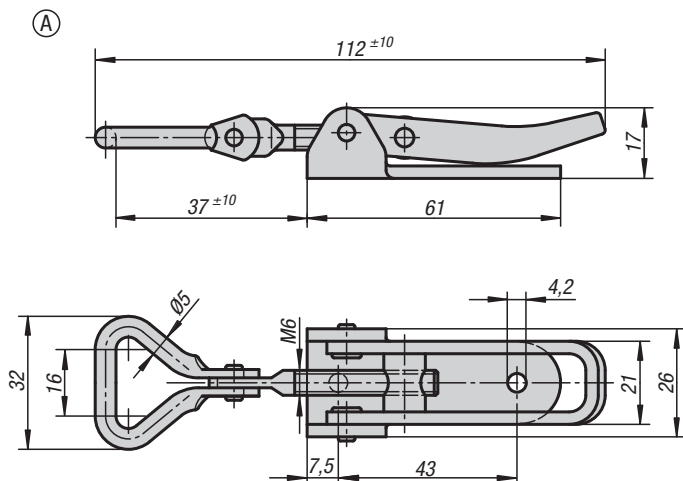
The latches can be screwed down or riveted. We recommend using countersunk screws for fastening the components.

Order catch plates separately.

The retaining force F1 applies to the latch, not the catch plate.

On request:
Available with safeguard against unintentional opening.

Applications:
We recommend using countersunk screws for fastening the components.



KIPP Latches adjustable, with swing bail

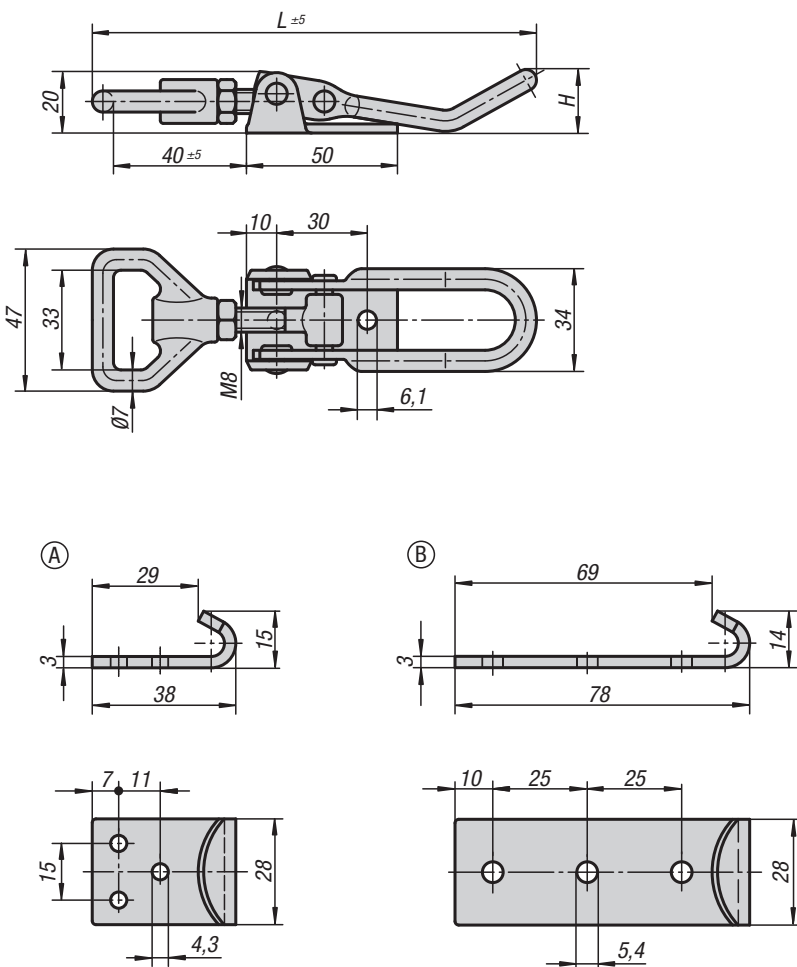
Order No. Steel	Order No. Stainless steel	Form	Retaining force F1 N
K0050.1421121	K0050.1421122	A	1000

KIPP Catch plates

Order No. Steel	Order No. Stainless steel	Form	D
K0050.9135211	K0050.9135212	A	3,7

K0051

Latches adjustable



Material:

Steel or stainless steel 1.4301.

Version:

Galvanised and blue passivated
Stainless steel bright.

Sample order:

Latch K0051.1611451
Catch plate K0051.9143381

Note:

Adjustable latches are safe locking systems for industrial applications. By exceeding the dead centre they resist vibration.

After the bail engages with the catch plate, by pushing the lever down the parts to be locked can be drawn together by up to 15 mm. To compensate for tolerances or to create enough tension the bail length can be adjusted using the M8 spindle.

The latches can be screwed down or riveted. We recommend using countersunk screws for fastening the components.

Order the required catch plate version separately.

The retaining force F1 applies to the latch, not the catch plate.

On request:

Lockable version with padlock bracket.

Applications:

We recommend using countersunk screws for fastening the components.

KIPP Latches adjustable

Order No. Steel	Order No. Stainless steel	H	L	Retaining force F1 N
K0051.1611451	K0051.1611452	21	145	6500
K0051.1611681	K0051.1611682	36	168	6500

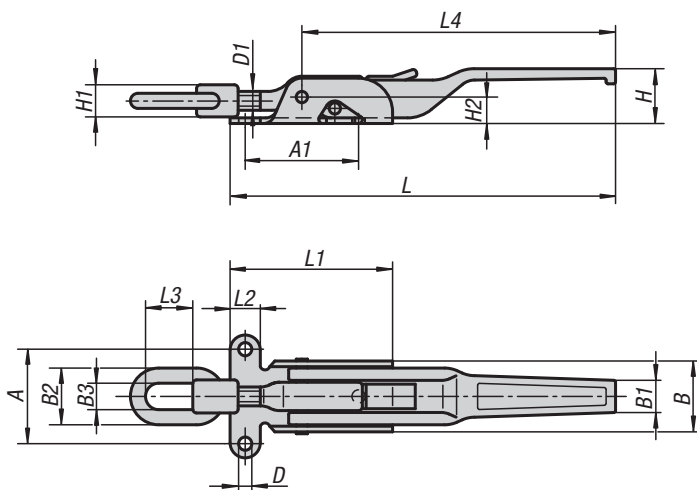
KIPP Catch plates

Order No. Steel	Order No. Stainless steel	Form
K0051.9143381	K0051.9143382	A
K0051.9254781	K0051.9254782	B

K0052

Latches adjustable

heavy-duty version



Material:

Steel.

Version:

Galvanised and blue passivated
Catch plate Form B (weldable), bright.

Sample order:

Latch K0052.1702041
Catch plate K0052.91851201

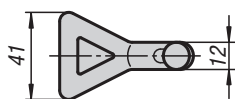
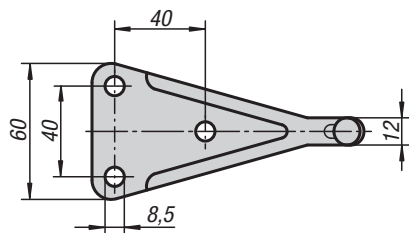
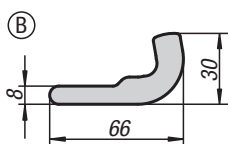
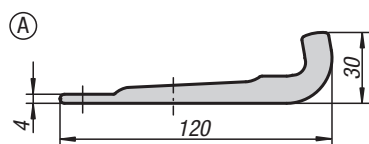
Note:

Heavy, forged latches for high tensile loads. Primarily used on utility vehicles, agricultural and construction machinery. A ratchet prevents unintentional opening when closed.

To compensate for tolerances or to create enough tension the bail can be adjusted using the spindle D1.

Order required catch plate version separately.

The retaining force F1 applies to the latch, not the catch plate.



KIPP Latches adjustable, heavy-duty version

Order No.	A	A1	B	B1	B2	B3	D	D1	H	H1	H2	L	L1	L2	L3	L4	Retaining force F1 N
K0052.1702041	50	62	37	18	30	14	7	M10	30	17	14	204	86	16	25	165	20000
K0052.1852371	65	82	50	20	36	15	8,5	M14x1,5	32	20	18	237	104	21	40	190	30500

KIPP Catch plates

Order No.	Form
K0052.91851201	A
K0052.9200601	B