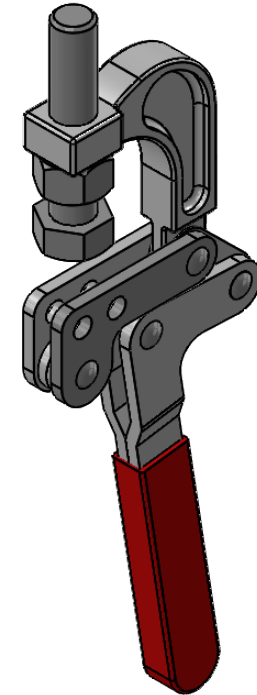
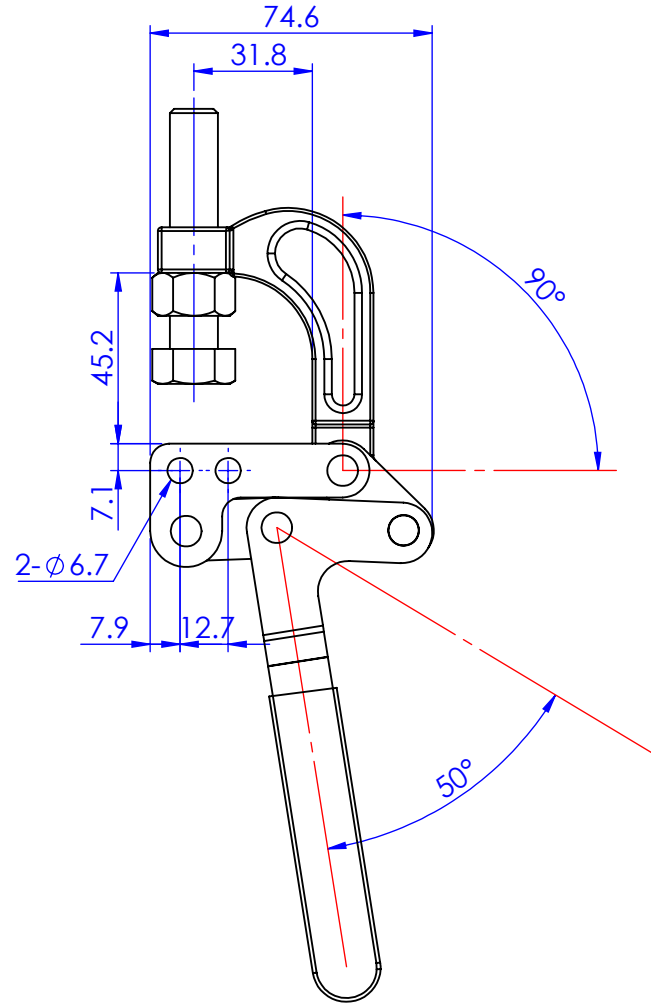
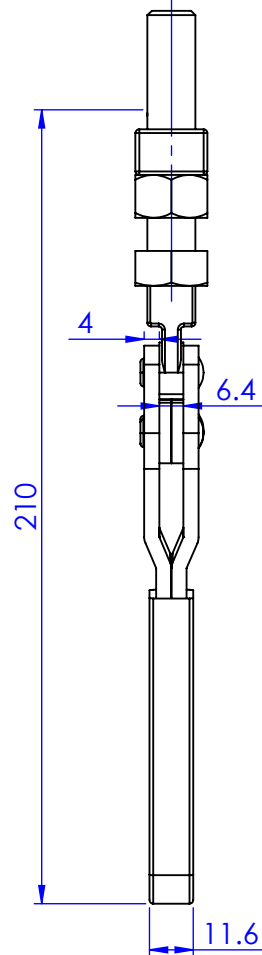
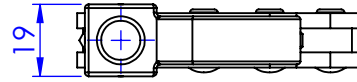


Part No:	GH-80325-SS
Holding Capacity:	340Kg
Jaw Opens:	90°
Handle Opens:	50°
Weight:	0.483Kg
Spindle Supplied:	SA-12212-SS



Unit:mm

Scale: 1:2

Good Hand UK Ltd

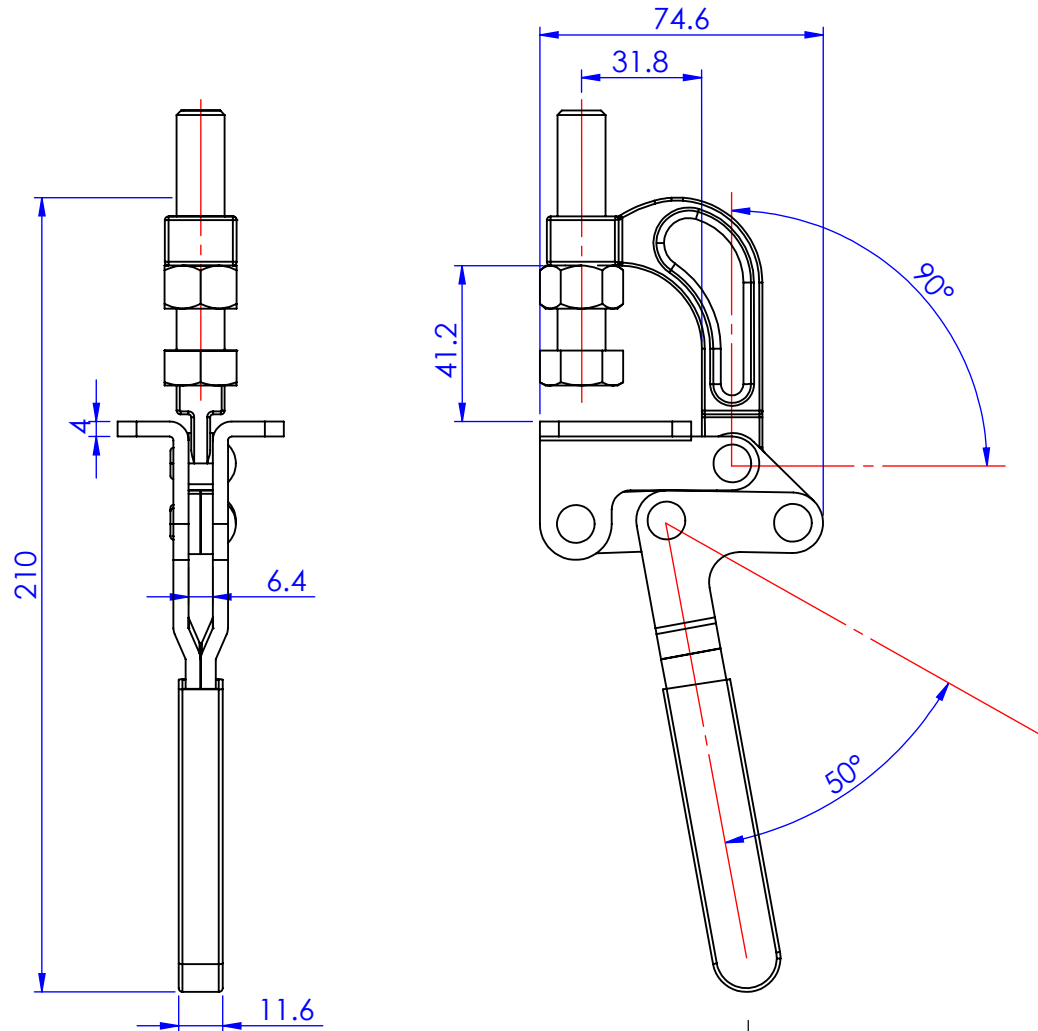
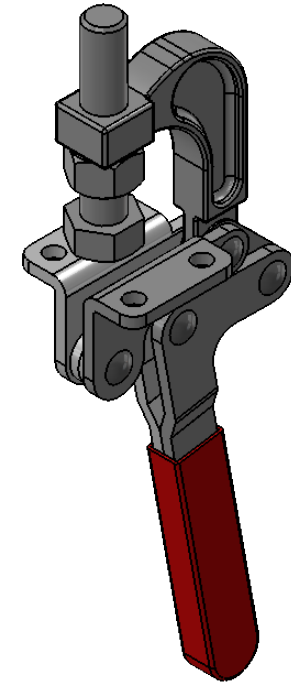
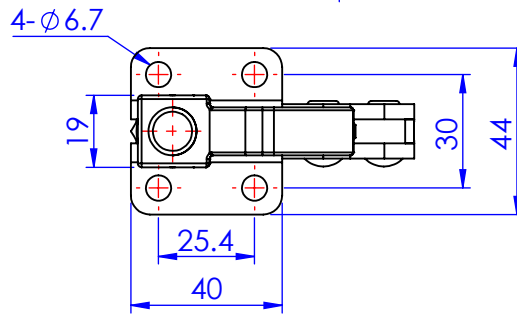
TITLE:

DWG NO.

GH-80325-SS

A4

Part No:	GH-80379
Holding Capacity:	340Kg
Jaw Opens:	90°
Handle Opens:	50°
Weight:	0.53Kg
Spindle Supplied:	SA-12212

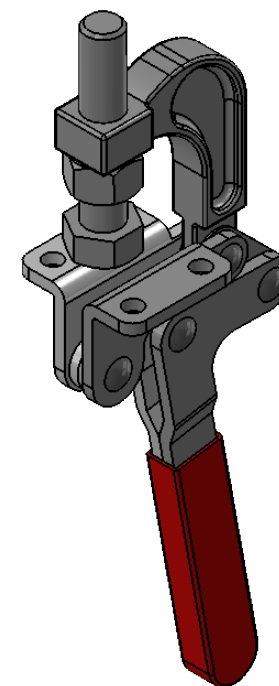
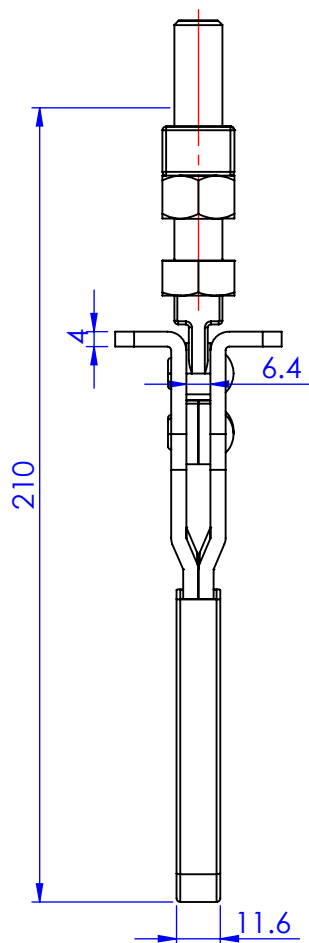
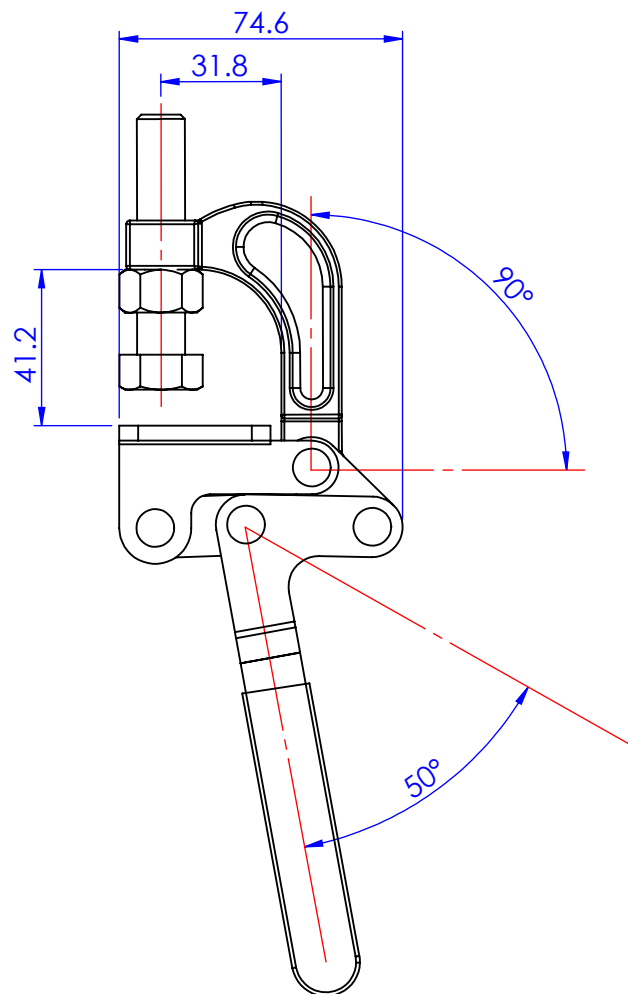
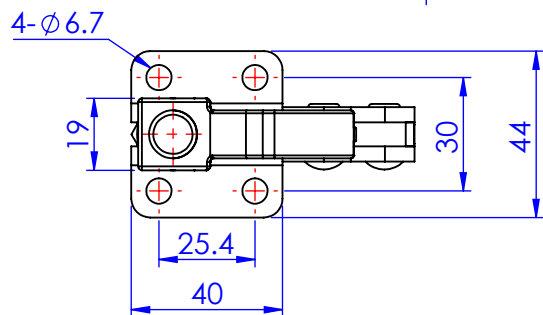


Unit:mm
Scale: 1:2

Good Hand UK Ltd

TITLE:		
DWG NO.	GH-80379	A4

Part No:	GH-80379-SS
Holding Capacity:	340Kg
Jaw Opens:	90°
Handle Opens:	50°
Weight:	0.53Kg
Spindle Supplied:	SA-12212-SS



Unit:mm

Scale: 1:2

Good Hand UK Ltd

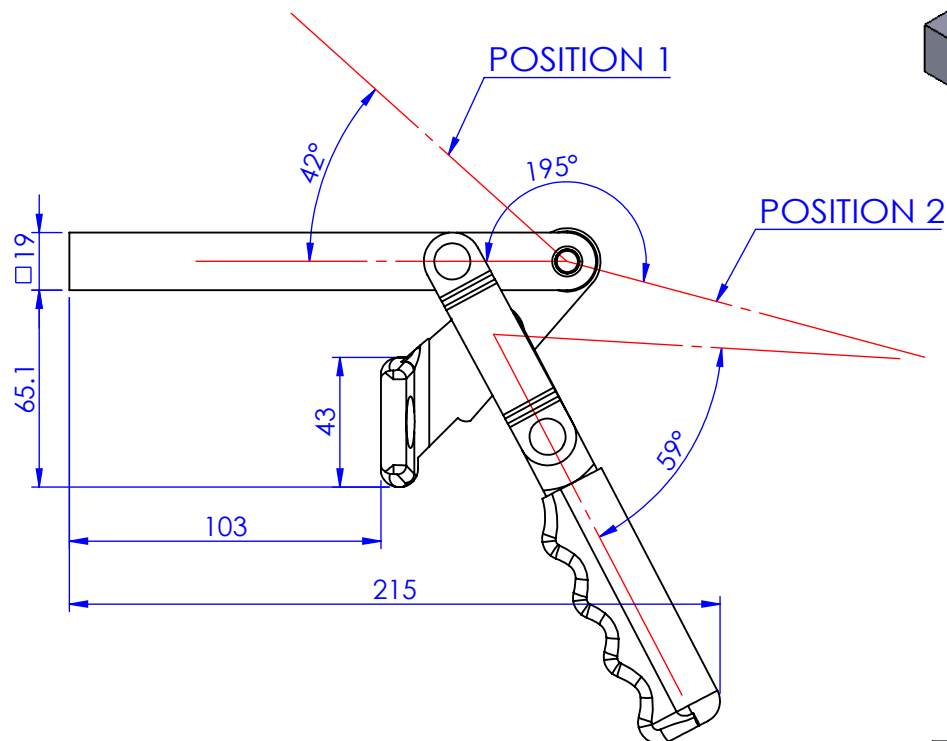
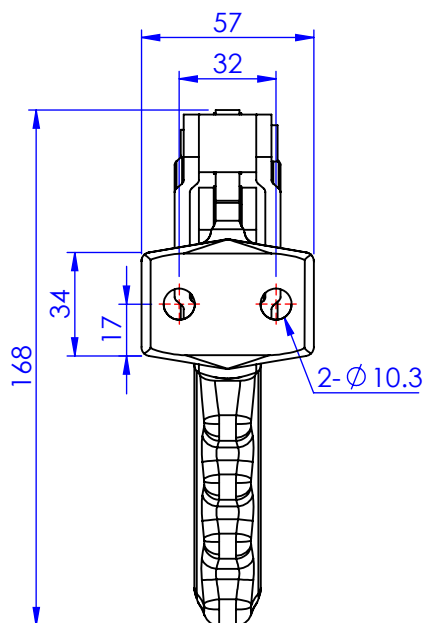
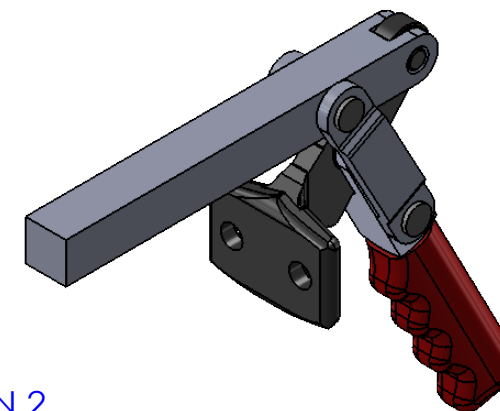
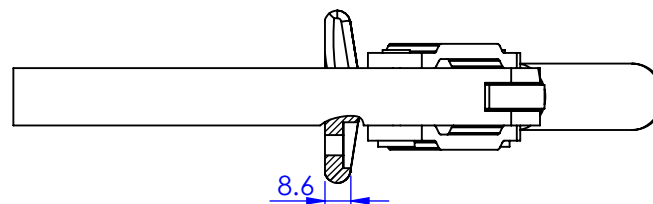
TITLE:

DWG NO.

GH-80379-SS

A4

Part No:	GH-75027-SM
Holding Capacity:	450Kg
Bar Opens:	195°
Handle Opens:	59°
Weight:	1.19Kg



Unit:mm
Scale: 1:2.5

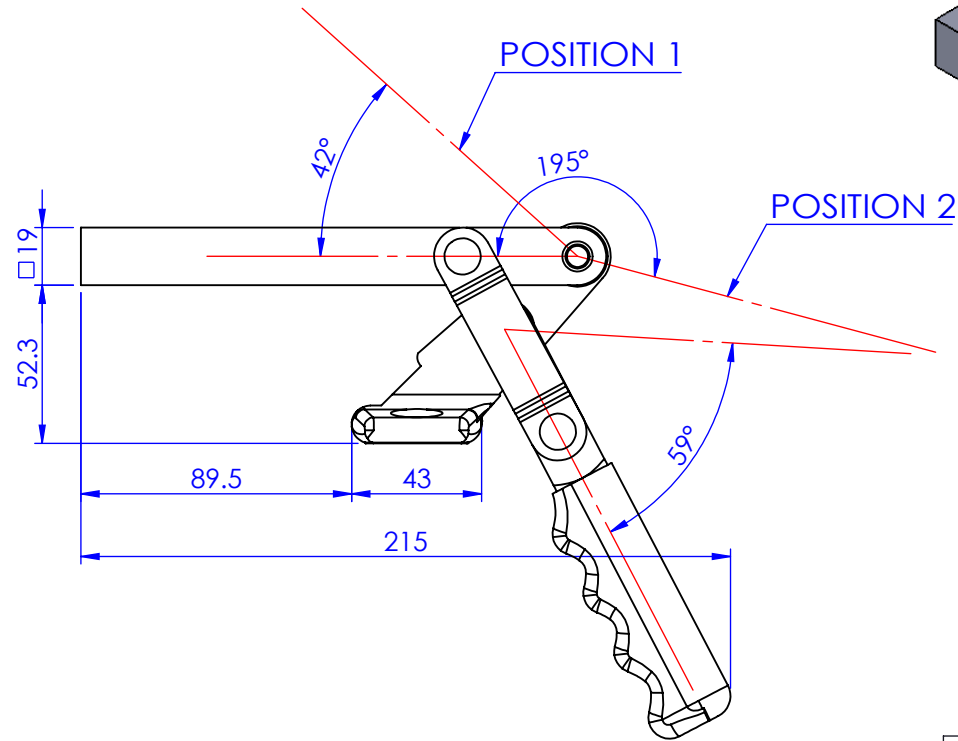
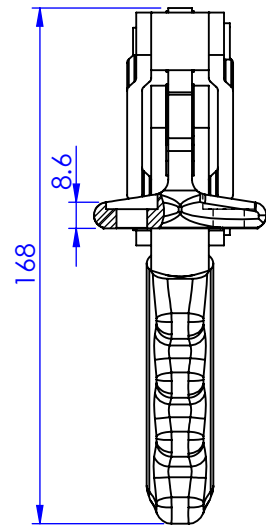
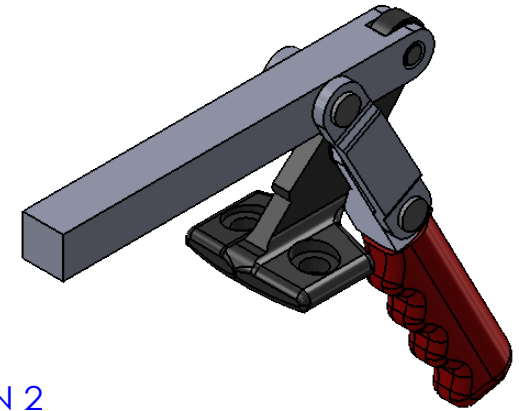
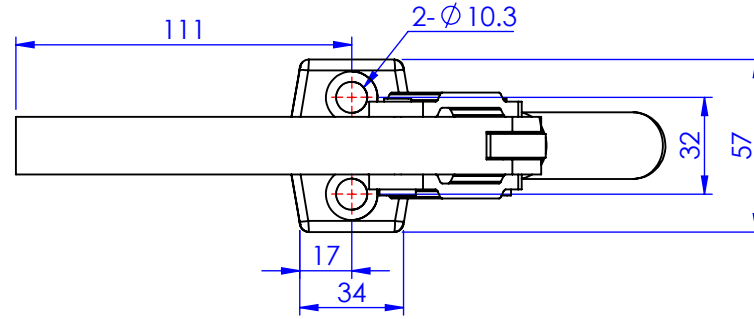
Good Hand UK Ltd

TITLE:

DWG NO. GH-75027-SM

A4

Part No:	GH-75027
Holding Capacity:	450Kg
Bar Opens:	195°
Handle Opens:	59°
Weight:	1.19Kg



Unit:mm

Scale: 1:2.5

Good Hand UK Ltd

TITLE:

DWG NO.

GH-75027

A4