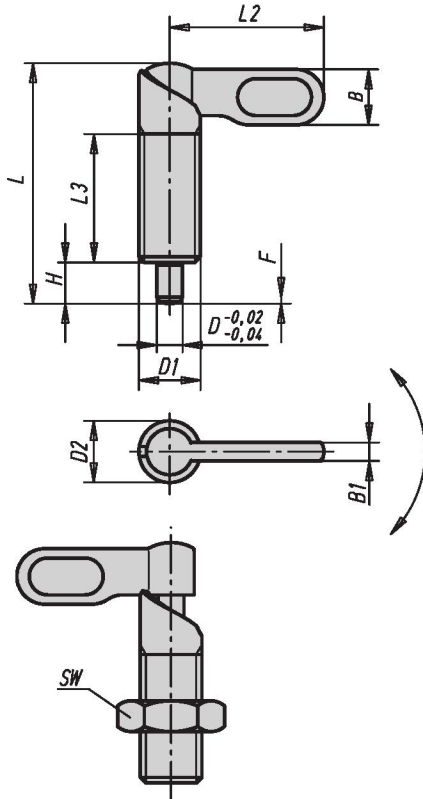




Cam Action Indexing Plungers

INCH Parts METRIC Parts



Style C
grip powder-coated
without nut

Style D
grip powder-coated
with nut



Material:
Steel quality class 5.8

Type:
Black oxide finish.
Pin hardened and ground.

Part Number Example:
K0348.0604A4

Note:
Cam Action Indexing Plungers are used when the indexing pin should not project all the time. Turning the handle through 180° pulls in the pin. A notch ensures that the handle remains in this position.

KIPP Cam Action Indexing Plungers, inch

Item No. Style C	Item No. Style D	D	D1	D2	L	L2	L3	B	B1	H	SW	F x 30°	Spring force initial pressure F1 approx. N	Spring force final pressure F2 approx. N
K0348.0604A4	K0348.0704A4	4	3/8-16	10	38	25	20	9	3	6	-19/16	1	8	14
K0348.0605A4	K0348.0705A4	5	3/8-16	10	38	25	20	9	3	6	-19/16	1.3	8	14
K0348.0606A4	K0348.0706A4	6	3/8-16	10	38	25	20	9	3	6	-19/16	1.8	8	14
K0348.0604AL	K0348.0704AL	4	3/8-24	10	38	25	20	9	3	6	-19/16	1	8	14
K0348.0605AL	K0348.0705AL	5	3/8-24	10	38	25	20	9	3	6	-19/16	1.3	8	14
K0348.0606AL	K0348.0706AL	6	3/8-24	10	38	25	20	9	3	6	-19/16	1.8	8	14
K0348.0605A5	K0348.0705A5	5	1/2-13	12	46.8	30	25	10.8	3.6	8	-13/4	1.3	8	15
K0348.0606A5	K0348.0706A5	6	1/2-13	12	46.8	30	25	10.8	3.6	8	-13/4	1.8	8	15
K0348.0608A5	K0348.0708A5	8	1/2-13	12	46.8	30	25	10.8	3.6	8	-13/4	2.3	8	15
K0348.0605AM	K0348.0705AM	5	1/2-20	12	46.8	30	25	10.8	3.6	8	-13/4	1.3	8	15
K0348.0606AM	K0348.0706AM	6	1/2-20	12	46.8	30	25	10.8	3.6	8	-13/4	1.8	8	15
K0348.0608AM	K0348.0708AM	8	1/2-20	12	46.8	30	25	10.8	3.6	8	-13/4	2.3	8	15
K0348.0606A6	K0348.0706A6	6	5/8-11	16	60.4	40	32	14.4	4.8	10	-115/16	1.8	15	35
K0348.0608A6	K0348.0708A6	8	5/8-11	16	60.4	40	32	14.4	4.8	10	-115/16	2.3	15	35
K0348.0610A6	K0348.0710A6	10	5/8-11	16	60.4	40	32	14.4	4.8	10	-115/16	2.8	15	35
K0348.0606AN	K0348.0706AN	6	5/8-18	16	60.4	40	32	14.4	4.8	10	-115/16	1.8	15	35
K0348.0608AN	K0348.0708AN	8	5/8-18	16	60.4	40	32	14.4	4.8	10	-115/16	2.3	15	35
K0348.0610AN	K0348.0710AN	10	5/8-18	16	60.4	40	32	14.4	4.8	10	-11-1/8	2.8	15	35
K0348.0608A7	K0348.0708A7	8	3/4-10	20	70	50	35	18	6	12	-11-1/8	2.3	20	60
K0348.0610A7	K0348.0710A7	10	3/4-10	20	70	50	35	18	6	12	-11-1/8	2.8	20	60
K0348.0612A7	K0348.0712A7	12	3/4-10	20	70	50	35	18	6	12	-11-1/8	3	20	60
K0348.0608A0	K0348.0708A0	8	3/4-16	20	70	50	35	18	6	12	-11-1/8	2.3	20	60
K0348.0610A0	K0348.0710A0	10	3/4-16	20	70	50	35	18	6	12	-11-1/8	2.8	20	60
K0348.0612A0	K0348.0712A0	12	3/4-16	20	70	50	35	18	6	12	-11-1/8	3	20	60



Cam Action Indexing Plungers

KIPP Cam Action Indexing Plungers, metric

Item No. Style C	Item No. Style D	D	D1	D2	L	L2	L3	B	B1	H	SW	F x 30°	Spring force initial pressure F1 approx. N	Spring force final pressure F2 approx. N
K0348.060410	K0348.070410	4	M10	10	38	25	20	9	3	6	-/17	1	8	14
K0348.060510	K0348.070510	5	M10	10	38	25	20	9	3	6	-/17	1,3	8	14
K0348.060610	K0348.070610	6	M10	10	38	25	20	9	3	6	-/17	1,8	8	14
K0348.0604101	K0348.0704101	4	M10x1	10	38	25	20	9	3	6	-/17	1	8	14
K0348.0605101	K0348.0705101	5	M10x1	10	38	25	20	9	3	6	-/17	1,3	8	14
K0348.0606101	K0348.0706101	6	M10x1	10	38	25	20	9	3	6	-/17	1,8	8	14
K0348.060512	K0348.070512	5	M12	12	46,8	30	25	10,8	3,6	8	-/19	1,3	8	15
K0348.060612	K0348.070612	6	M12	12	46,8	30	25	10,8	3,6	8	-/19	1,8	8	15
K0348.060812	K0348.070812	8	M12	12	46,8	30	25	10,8	3,6	8	-/19	2,3	8	15
K0348.0605121	K0348.0705121	5	M12x1,5	12	46,8	30	25	10,8	3,6	8	-/19	1,3	8	15
K0348.0606121	K0348.0706121	6	M12x1,5	12	46,8	30	25	10,8	3,6	8	-/19	1,8	8	15
K0348.0608121	K0348.0708121	8	M12x1,5	12	46,8	30	25	10,8	3,6	8	-/19	2,3	8	15
K0348.060616	K0348.070616	6	M16	16	60,4	40	32	14,4	4,8	10	-/24	1,8	15	35
K0348.060816	K0348.070816	8	M16	16	60,4	40	32	14,4	4,8	10	-/24	2,3	15	35
K0348.061016	K0348.071016	10	M16	16	60,4	40	32	14,4	4,8	10	-/24	2,8	15	35
K0348.0606161	K0348.0706161	6	M16x1,5	16	60,4	40	32	14,4	4,8	10	-/24	1,8	15	35
K0348.0608161	K0348.0708161	8	M16x1,5	16	60,4	40	32	14,4	4,8	10	-/24	2,3	15	35
K0348.0610161	K0348.0710161	10	M16x1,5	16	60,4	40	32	14,4	4,8	10	-/24	2,8	15	35
K0348.060820	K0348.070820	8	M20	20	70	50	35	18	6	12	-/30	2,3	20	60
K0348.061020	K0348.071020	10	M20	20	70	50	35	18	6	12	-/30	2,8	20	60
K0348.061220	K0348.071220	12	M20	20	70	50	35	18	6	12	-/30	3	20	60
K0348.0608201	K0348.0708201	8	M20x1,5	20	70	50	35	18	6	12	-/30	2,3	20	60
K0348.0610201	K0348.0710201	10	M20x1,5	20	70	50	35	18	6	12	-/30	2,8	20	60
K0348.0612201	K0348.0712201	12	M20x1,5	20	70	50	35	18	6	12	-/30	3	20	60