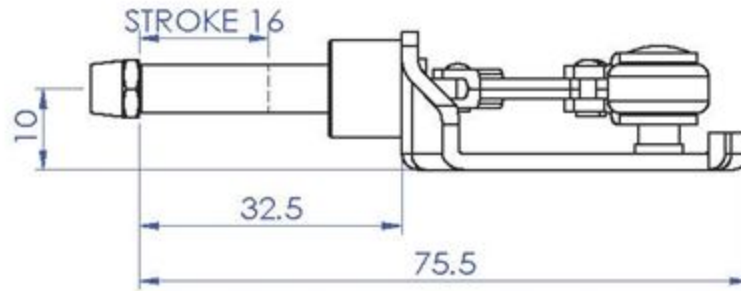
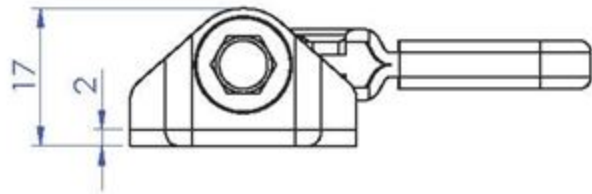
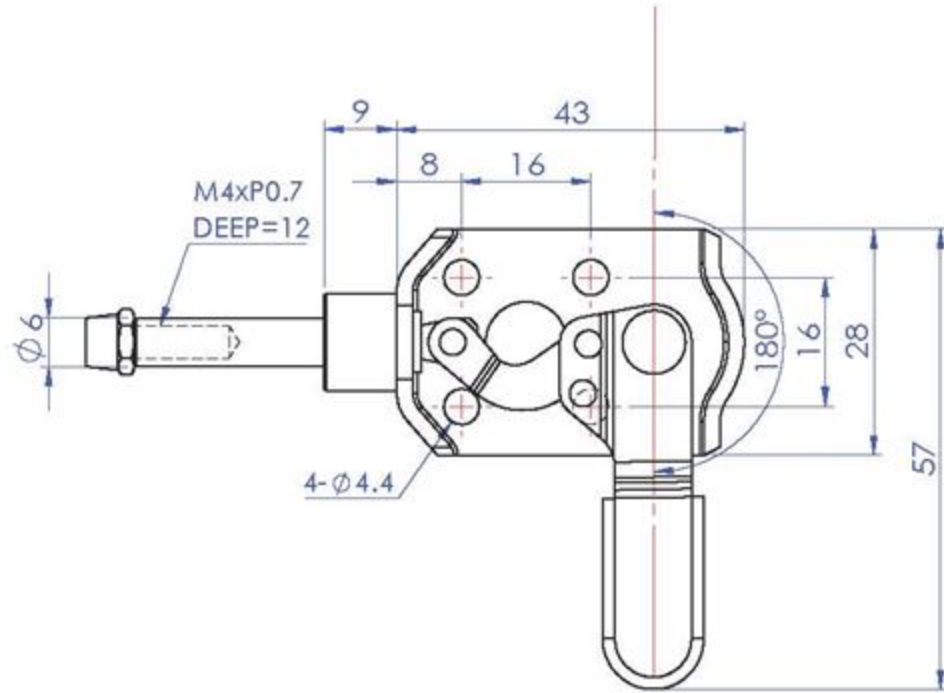


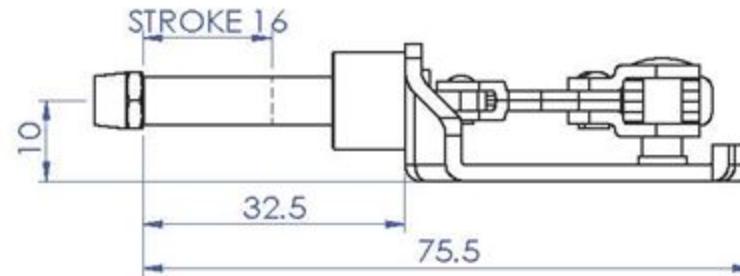
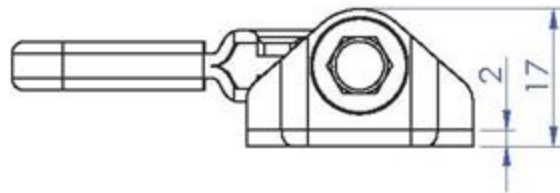
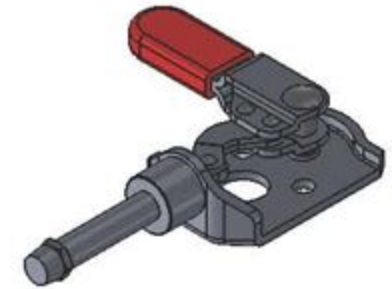
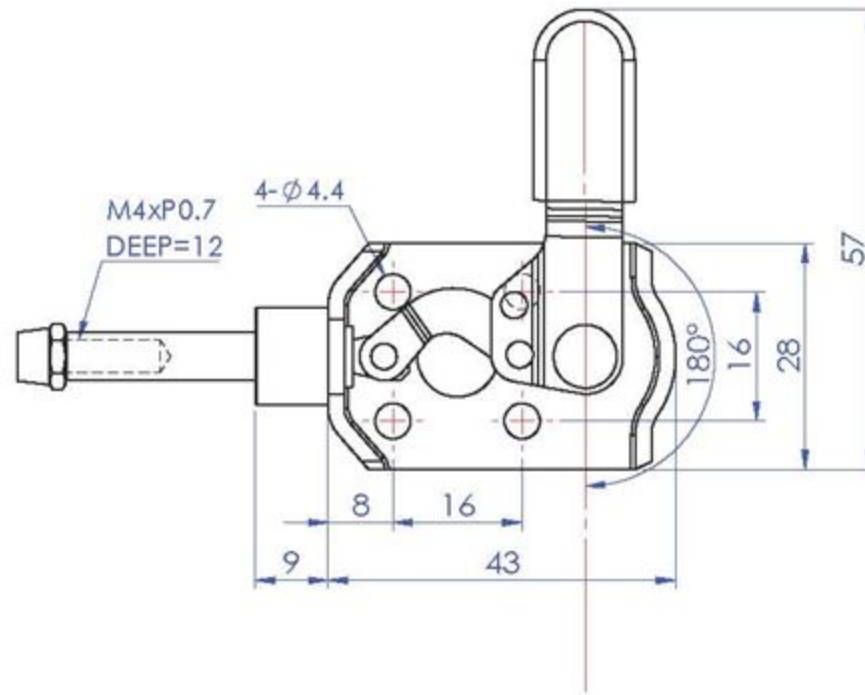
Part No:	GH-301-CML
Holding Capacity:	50Kg
Plunger Stroke:	16 mm
Handle Opens:	180°
Weight:	0.065Kg
Spindle Supplied:	FC-041807



Unit:mm
Scale: 1:1

Good Hand UK Ltd	
TITLE:	
DWG NO.	GH-301-CML
	A4

Part No:	GH-301-CMR
Holding Capacity:	50Kg
Plunger Stroke:	16 mm
Handle Opens:	180°
Weight:	0.065Kg
Spindle Supplied:	FC-041807



Unit:mm
Scale: 1:1

Good Hand UK Ltd

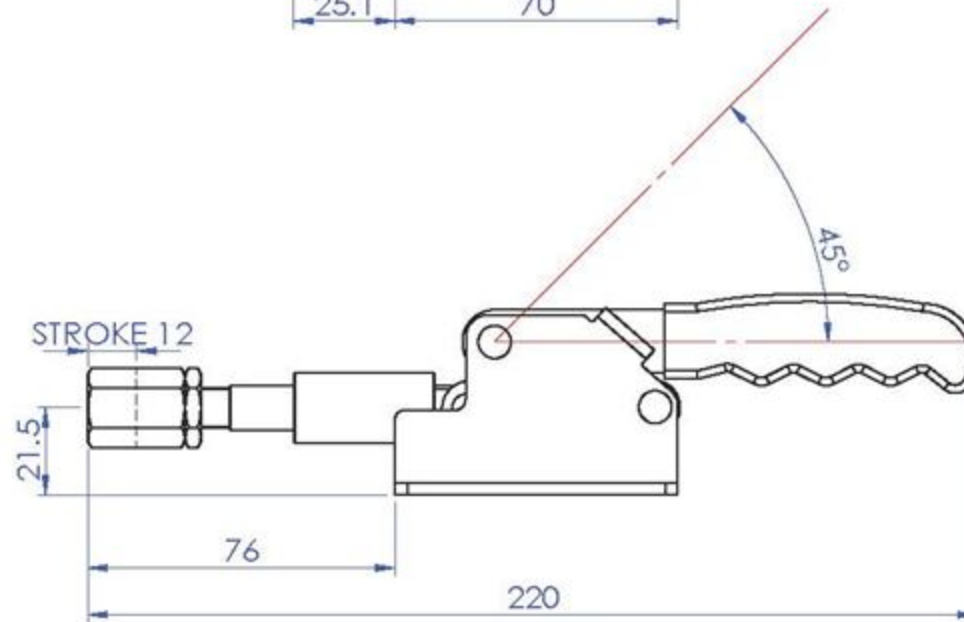
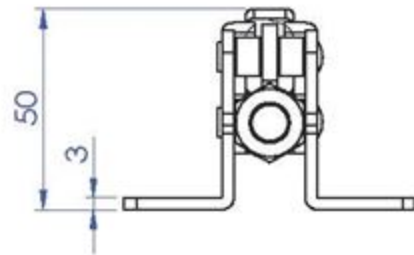
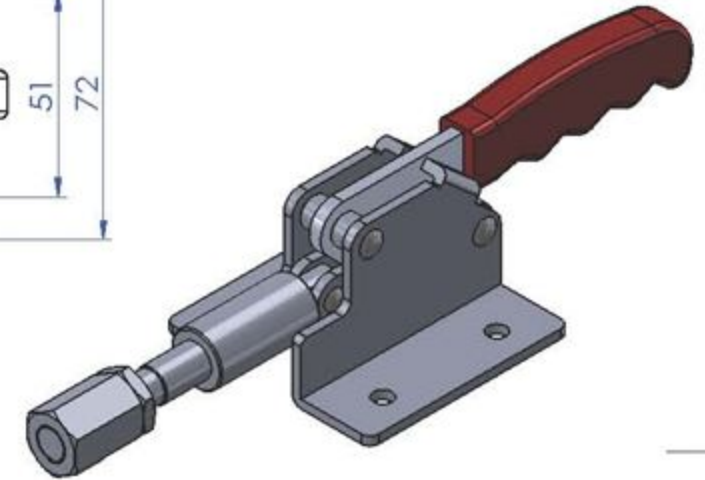
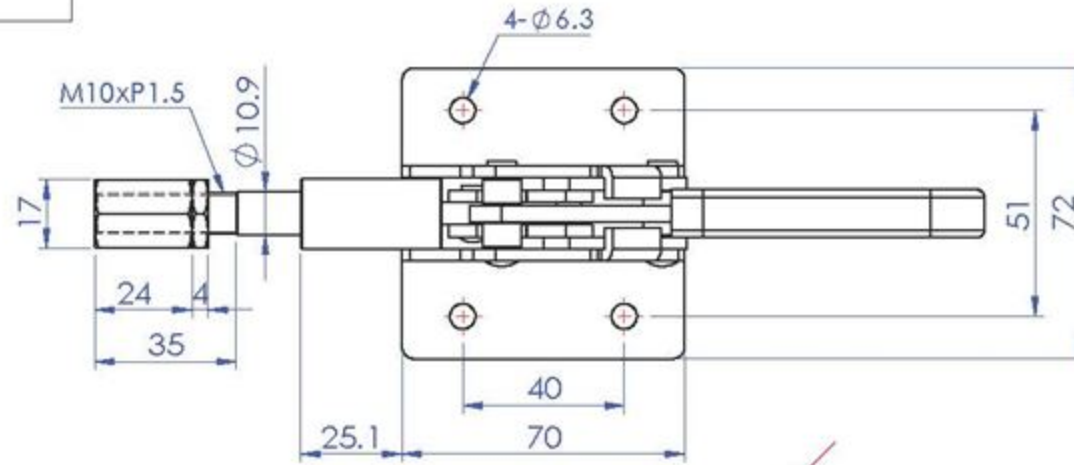
TITLE:

DWG NO.

GH-301-CMR

A4

Part No:	GH-302-DM
Holding Capacity:	160Kg
Plunger Stroke:	12 mm
Handle Opens:	45°
Weight:	0.458Kg



Unit:mm
Scale: 1:2

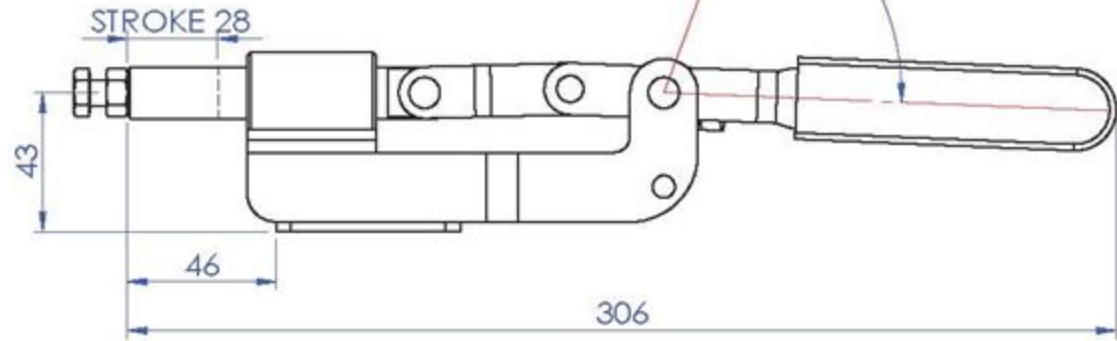
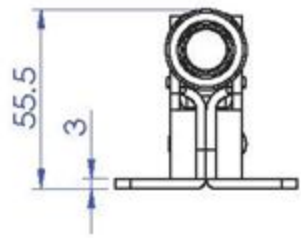
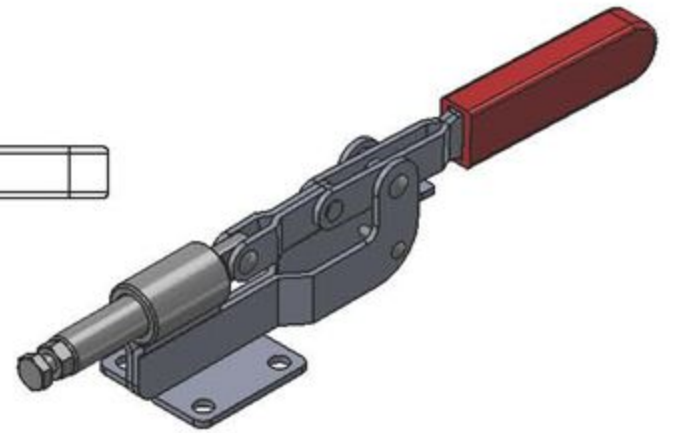
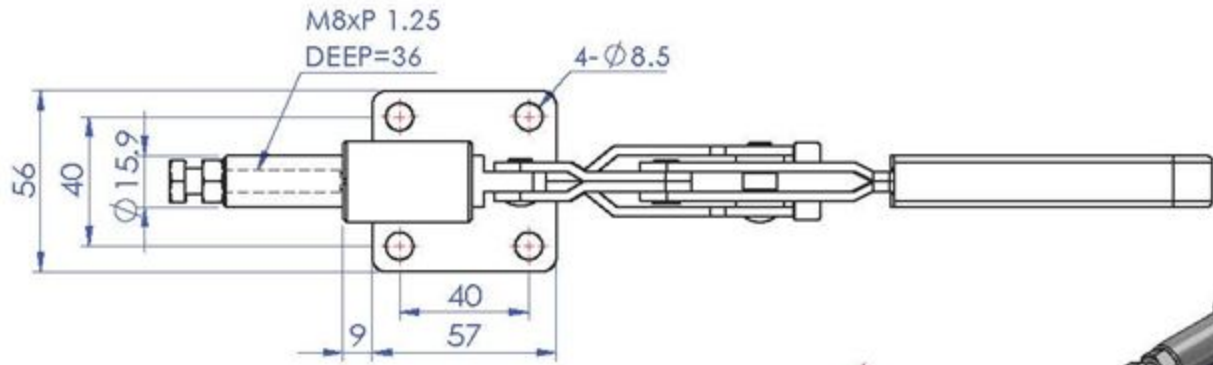
Good Hand UK Ltd

TITLE:

DWG NO. GH-302-DM

A4

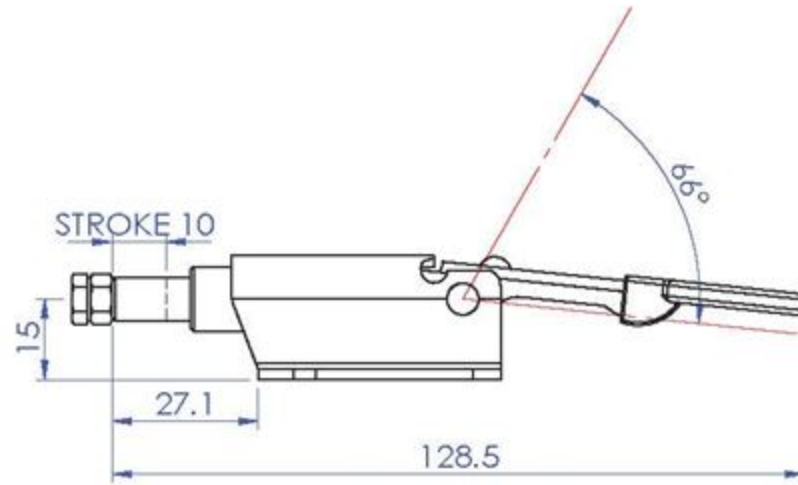
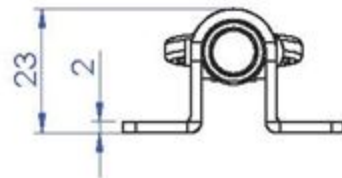
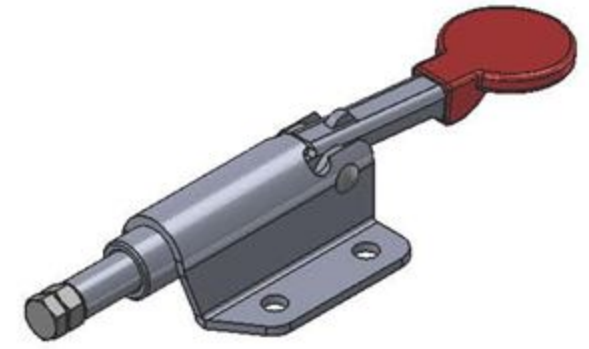
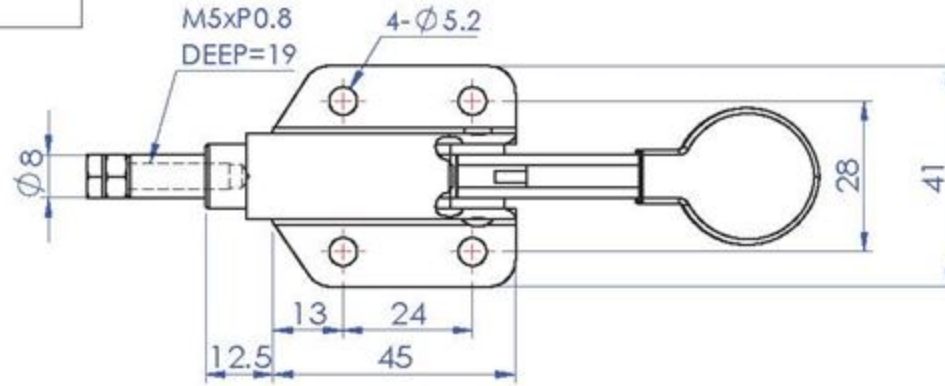
Part No:	GH-36060
Holding Capacity:	300Kg
Plunger Stroke:	28 mm
Handle Opens:	72°
Weight:	0.671Kg
Spindle Supplied:	SA-083012



Unit:mm
Scale: 1:2.5

Good Hand UK Ltd	
TITLE:	
DWG NO.	GH-36060
	A4

Part No:	GH-36070
Holding Capacity:	50Kg
Plunger Stroke:	10 mm
Handle Opens:	66°
Weight:	0.095Kg
Spindle Supplied:	SA-051508



Unit:mm
Scale: 1:1.5

Good Hand UK Ltd	
TITLE:	
DWG NO.	GH-36070
	A4