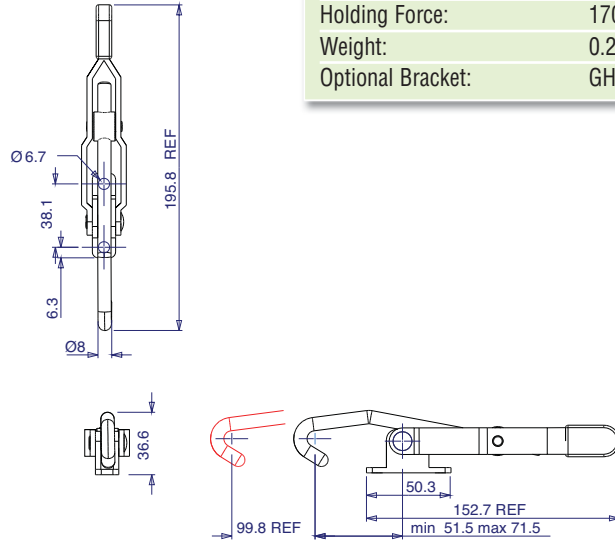
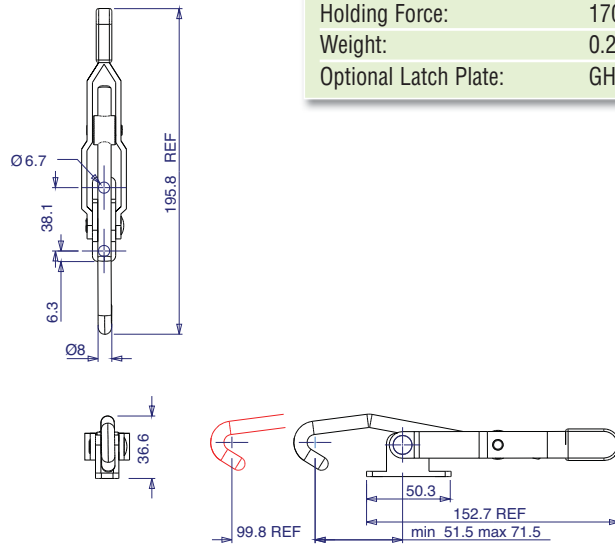


► Hook Versions

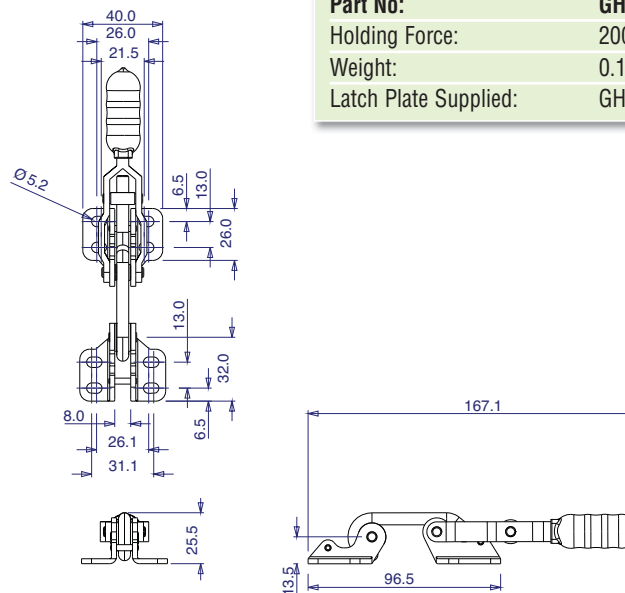


Part No:	GH-452
Holding Force:	170Kg
Weight:	0.26Kg
Optional Bracket:	GH-451-LP (see page 75)

stainless



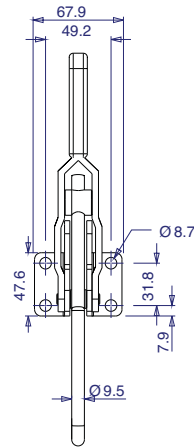
Part No:	GH-452-SS
Holding Force:	170Kg
Weight:	0.26Kg
Optional Latch Plate:	GH-451-LPSS (see page 75)



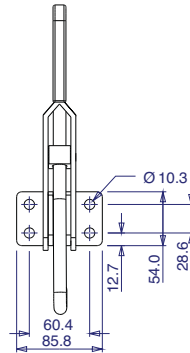
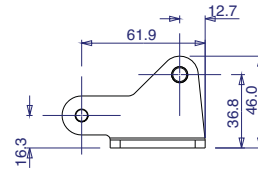
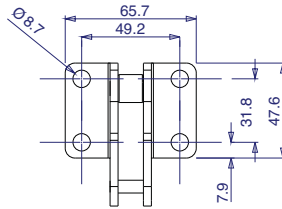
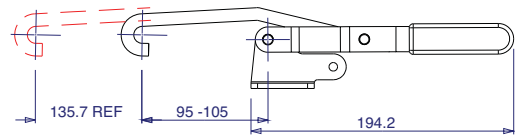
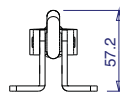
Part No:	GH-40200
Holding Force:	200Kg
Weight:	0.155Kg
Latch Plate Supplied:	GH-40200-LP



► Hook Versions



Part No:	GH-40371
Holding Force:	340Kg
Weight:	0.27Kg
Optional Latch Plate:	GH-40371-LP (below)



Part No:	GH-43810
Holding Force:	450Kg
Weight:	1.13Kg
Optional Latch Plate:	GH-43810-LP (below)

