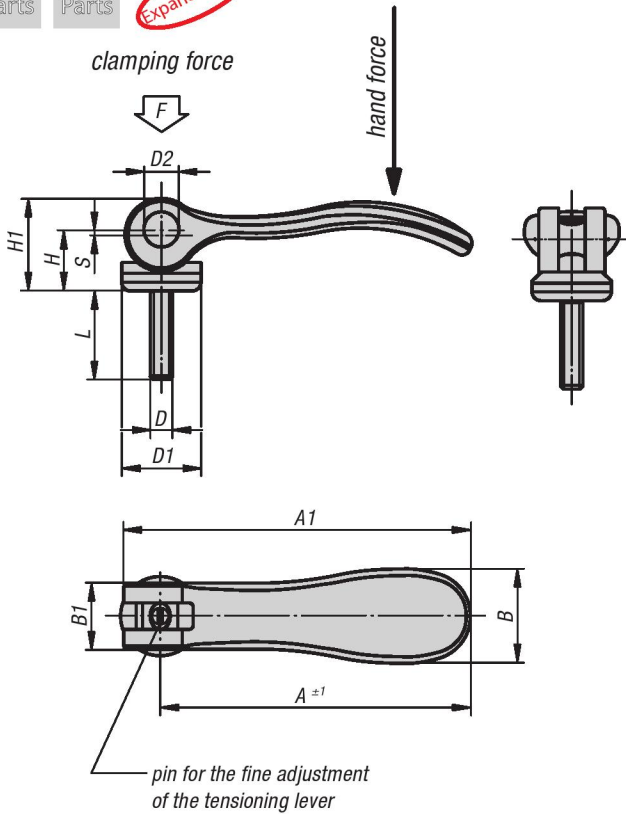




# Adjustable Cam Levers

with external thread, steel or stainless steel

INCH Parts METRIC Parts *Expanded Line*



**Material:**

Handles cast aluminium EN AC-46200; thrust washer plastic PA 66 GF 35-X fibreglass reinforced; hinge pins stainless steel 1.4305; studs and washer steel quality class 5.8 or stainless steel 1.4305

**Type:**

Handles powder-coated black; thrust washer black; hinge pins natural finish; studs and washer steel blue chromate or stainless steel natural finish

**Part Number Example:**

K0006.95011ADX  
(include length L)

**Note:**

Adjustable Cam Levers are unique from the original Cam Lever Series in that Adjustable Cam Levers have a screwdriver slot located at the top end of the stud to allow for fine adjustment when clamping space is limited. Plastic materials are subject to creep under compression (Retardation).

## KIPP Adjustable Cam Levers with external thread, inch

Item No. steel	Item No. stainless steel	D	D1	D2	B	B1	H	H1	A	A1	Stroke S	L	Clamping force F (kN)	Hand force N
K0006.95011ADX	K0006.95111ADX	6-32	12	6	14.4	11.5	9	13	36.2	41.7	1	10/15/30	1.5	90
K0006.95011AEX	K0006.95111AEX	8-32	12	6	14.4	11.5	9	13	36.2	41.7	1	10/15/30	1.5	90
K0006.05011AEX	K0006.05111AEX	8-32	15.4	8	18	13	11.2	17	52.3	59.1	1	15/20/30	2.5	100
K0006.05011A0X	K0006.05111A0X	10-24	15.4	8	18	13	11.2	17	52.3	59.1	1	20/30/40/50	2.5	100
K0006.05011A1X	K0006.05111A1X	10-32	15.4	8	18	13	11.2	17	52.3	59.1	1	20/30/40/50	2.5	100
K0006.15011A1X	K0006.15111A1X	10-32	18.1	9	21.5	15	14.5	22	70.4	79.2	1.2	20/30/40/50	4	120
K0006.15011A2X	K0006.15111A2X	1/4-20	18.1	9	21.5	15	14.5	22	70.4	79.2	1.2	20/30/40/50	4	120
K0006.25011A3X	K0006.25111A3X	5/16-18	27.1	11	33.3	24	18	28.5	96	108	1.5	25/30/40/50	8	350
K0006.25011A4X	K0006.25111A4X	3/8-16	27.1	11	33.3	24	18	28.5	96	108	1.5	25/30/40/50	8	350

## KIPP Adjustable Cam Levers with external thread, metric

Item No. steel	Item No. stainless steel	D	D1	D2	B	B1	H	H1	A	A1	Stroke S	L	Clamping force F (kN)	Hand force N
K0006.9501103X	K0006.9511103X	M3	12	6	14,4	11,5	9	13	36,2	41,7	1	10/15/30	1,5	90
K0006.9501104X	K0006.9511104X	M4	12	6	14,4	11,5	9	13	36,2	41,7	1	10/15/30	1,5	90
K0006.0501104X	K0006.0511104X	M4	15,4	8	18	13	11,2	17	52,3	59,1	1	15/20/30	2,5	100
K0006.0501105X	K0006.0511105X	M5	15,4	8	18	13	11,2	17	52,3	59,1	1	20/30/40/50	2,5	100
K0006.1501105X	K0006.1511105X	M5	18,1	9	21,5	15	14,5	22	70,4	79,2	1,2	20/30/40/50	4	120
K0006.1501106X	K0006.1511106X	M6	18,1	9	21,5	15	14,5	22	70,4	79,2	1,2	20/30/40/50	4	120
K0006.2501108X	K0006.2511108X	M8	27,1	11	33,3	24	18	28,5	96	108	1,5	25/30/40/50	8	350
K0006.2501110X	K0006.2511110X	M10	27,1	11	33,3	24	18	28,5	96	108	1,5	25/30/40/50	8	350