

# 82P50, 82P63 SERIES

## Pneumatic Pin Clamps and Packages | Ordering and Technical Information

**82P50-720** **D8** **A** **0** **01** **00**

**Base Model**  
**82P50-720**  
**82P63-720**

**Description**  
 Size 50mm  
 Size 63mm

**Tolerance** **Description**  
**A** 0-6mm tolerance compensation

**Sensor** **Description**  
**D8** Sensor with In-line Connector M12x1  
 (Replacement Order No.: 8EA-151-1)



**82P50**

Max Clamping Force  
 1500 N at 5 bar

**82P63**

Max Clamping Force  
 2500 N at 5 bar

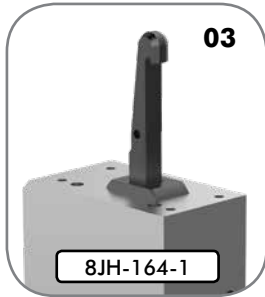
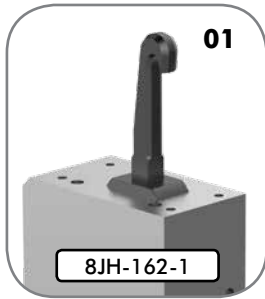


Specification	Unit	82P50	82P63
Clamping Force @ 5 bar	N [lbf]	1500 [337]	2500 [562]
Max. Operating Pressure	bar [psi]	6 [87]	6 [87]
Air Consumption			
Clamping @ 6 bar	liter [in <sup>3</sup> ]	0,66 [40.28]	0,92 [56.14]
Opening @ 6 bar	liter [in <sup>3</sup> ]	0,33 [20.13]	0,46 [28.07]
Weight	kg [lb]	3,2 [7.05]	3,9 [8.59]
Time:			
Clamping	sec	0,3	0,3
Opening	sec	0,3	0,3

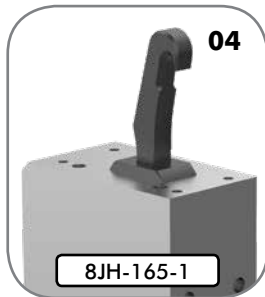
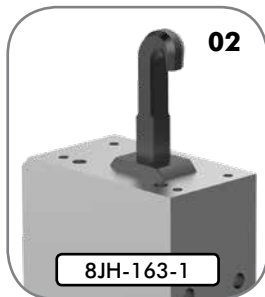
# 82P50, 82P63 SERIES

## Pneumatic Pin Clamps and Packages | Ordering Information

### Hooks For 82P50



### Hooks For 82P63



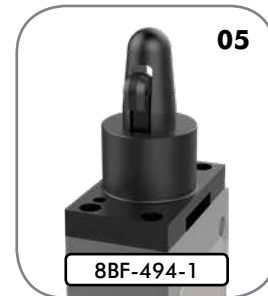
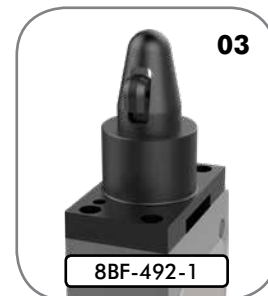
### Tips For 82P50 with Hook

<b>00</b>	None	<b>01 or 03</b>
<b>01</b>	18mm Round	<b>01 or 03</b>
<b>02</b>	20mm Round	<b>01 or 03</b>
<b>06</b>	19,9mm Round	<b>01 or 03</b>
<b>07</b>	19,9mm Diamond	<b>01 or 03</b>



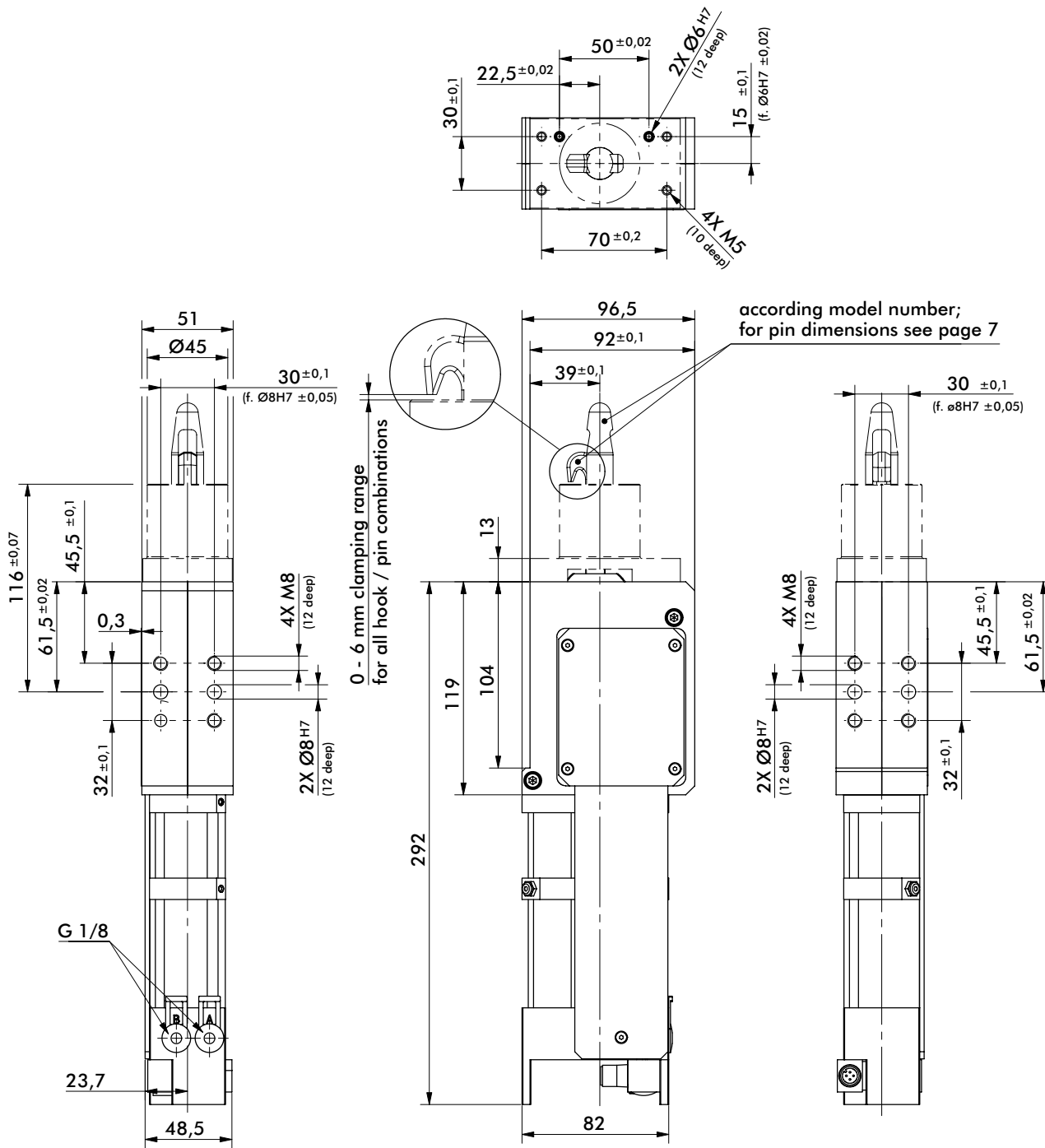
### Tips For 82P63 with Hook

<b>00</b>	None	<b>02 or 04</b>
<b>03</b>	30mm Round	<b>02</b>
<b>04</b>	30mm Diamond	<b>02</b>
<b>05</b>	25mm Round	<b>02</b>
<b>08</b>	23mm Round	<b>02</b>
<b>09</b>	28mm Round	<b>02</b>
<b>10</b>	40mm Round	<b>04</b>
<b>11</b>	40mm Diamond	<b>04</b>

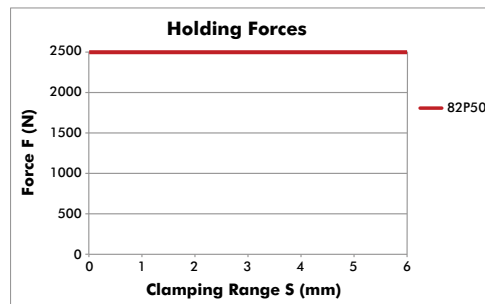
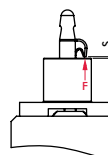
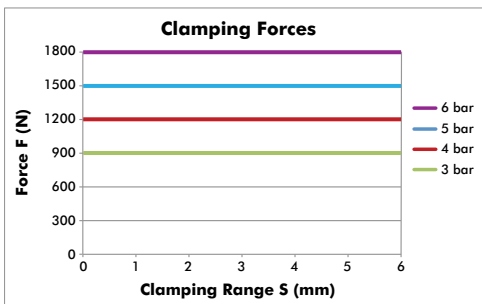
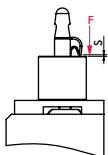


# 82P50 SERIES

## Pneumatic Pin Clamps and Packages | Dimensions and Technical Information

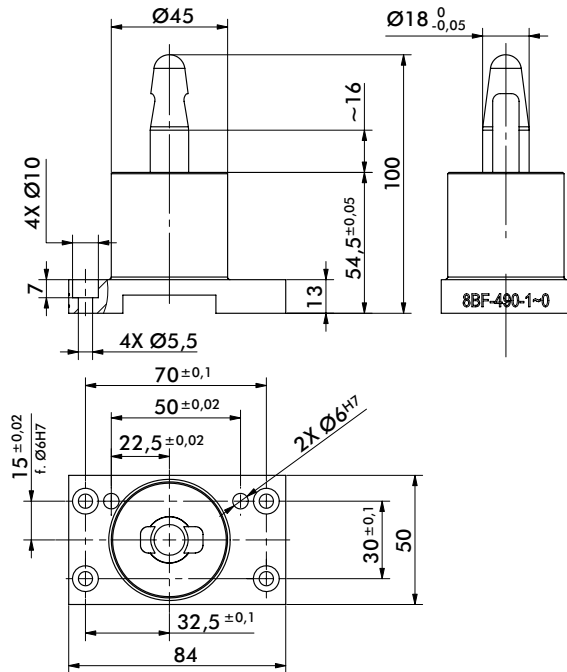


Operation with oil-free air is permissible.

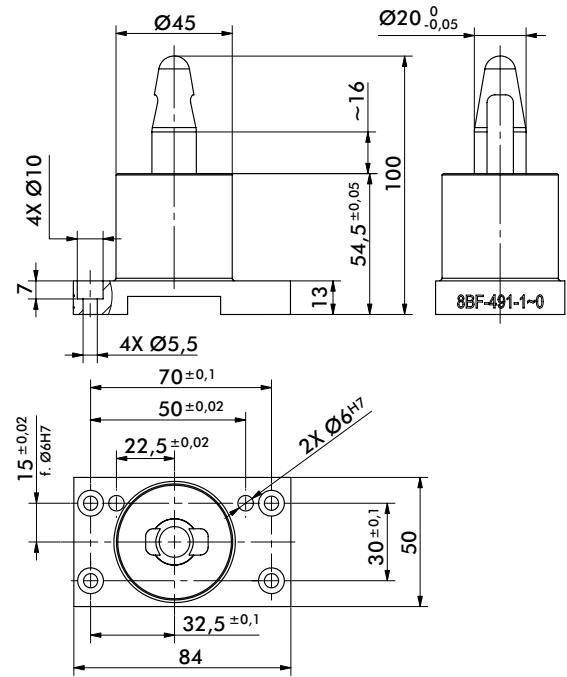


# 82P50 CENTERING PINS

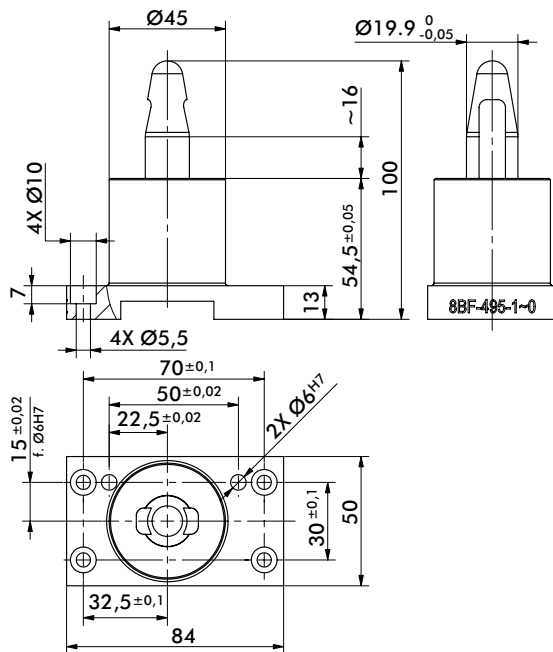
## Pneumatic Pin Clamps and Packages | Dimensions and Technical Information



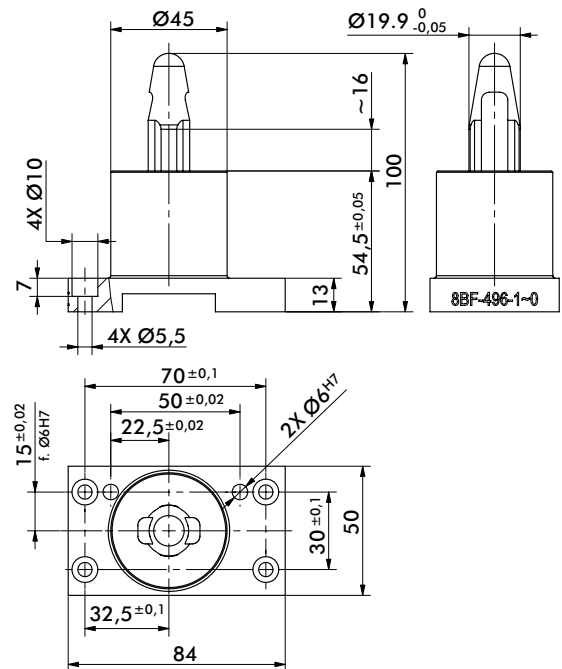
Specification	8BF-490-1
Weight	~0,60 Kg
Diameter and Tolerance	Ø18 -0.05
Shape	Round



Specification	8BF-491-1
Weight	~0,60 Kg
Diameter and Tolerance	Ø20 -0.05
Shape	Round



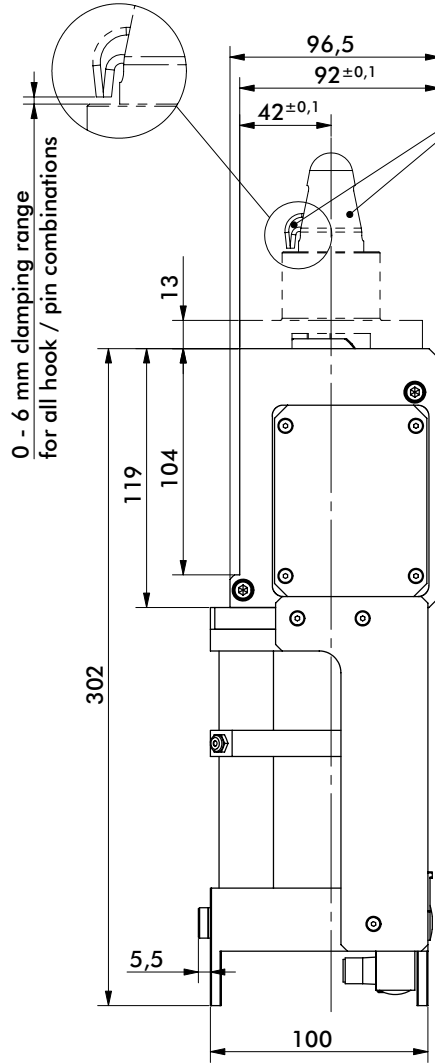
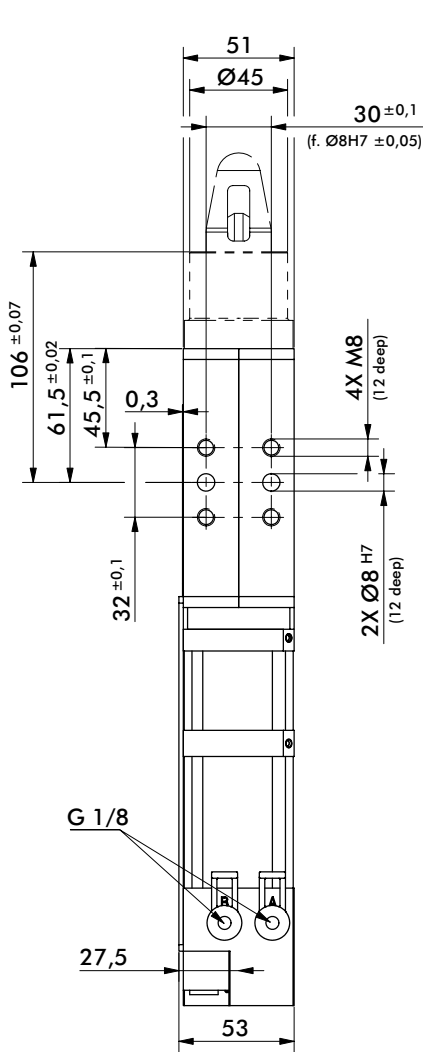
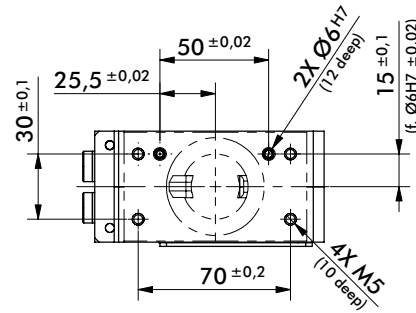
Specification	8BF-495-1
Weight	~0,60 Kg
Diameter and Tolerance	Ø19,90 -0.05
Shape	Round



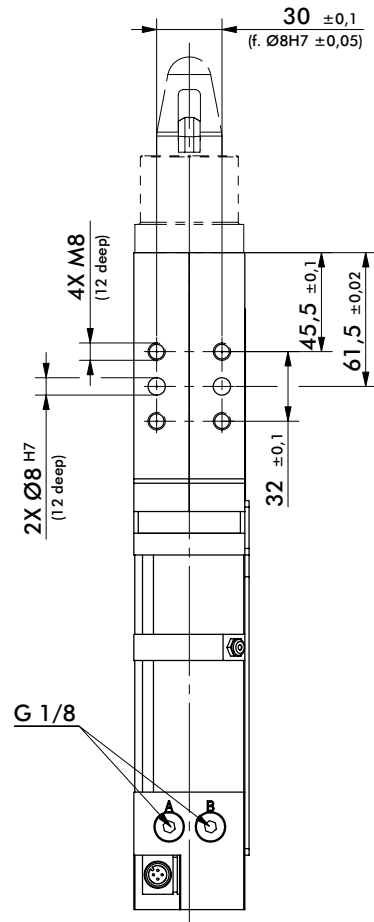
Specification	8BF-496-1
Weight	~0,60 Kg
Diameter and Tolerance	Ø19,90 -0.05
Shape	Diamond

# 82P63 SERIES

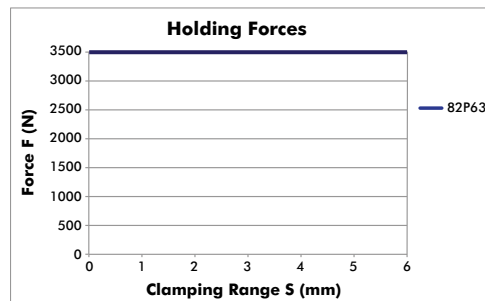
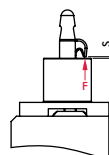
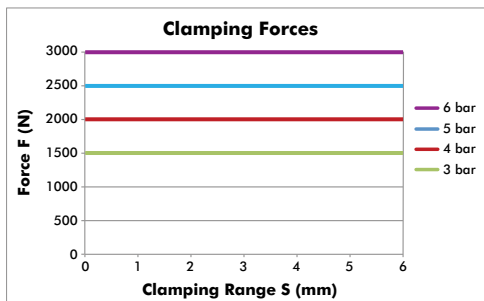
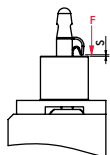
## Pneumatic Pin Clamps and Packages | Dimensions and Technical Information



according model number;  
for pin dimensions see pages 9-10

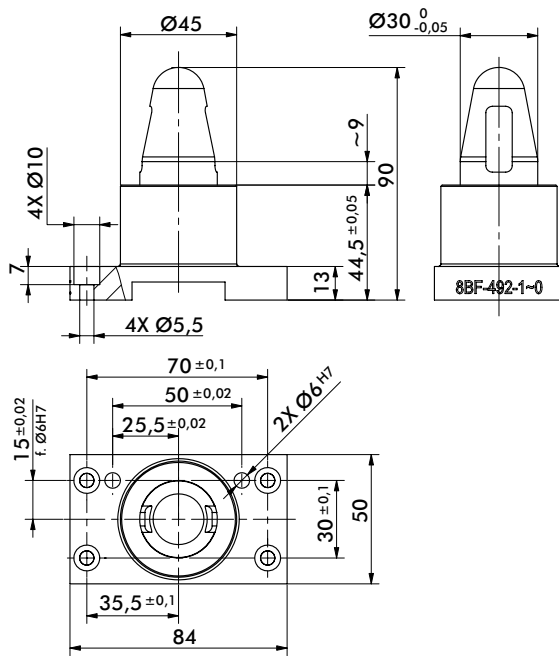


Operation with oil-free air is permissible.

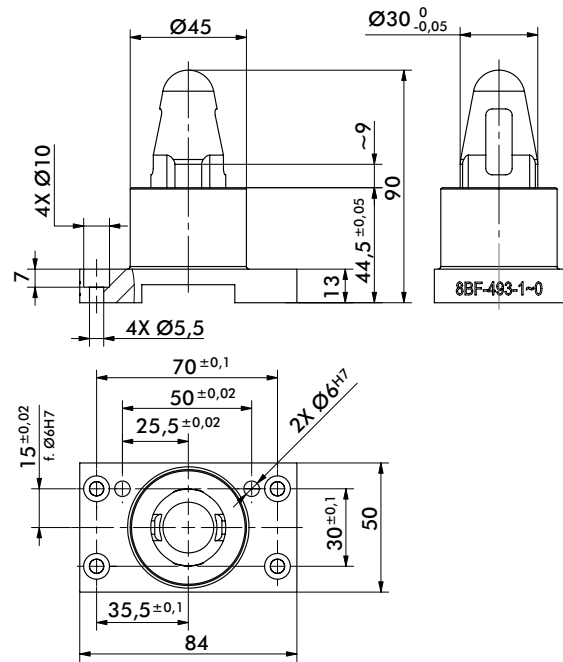


# 82P63 CENTERING PINS

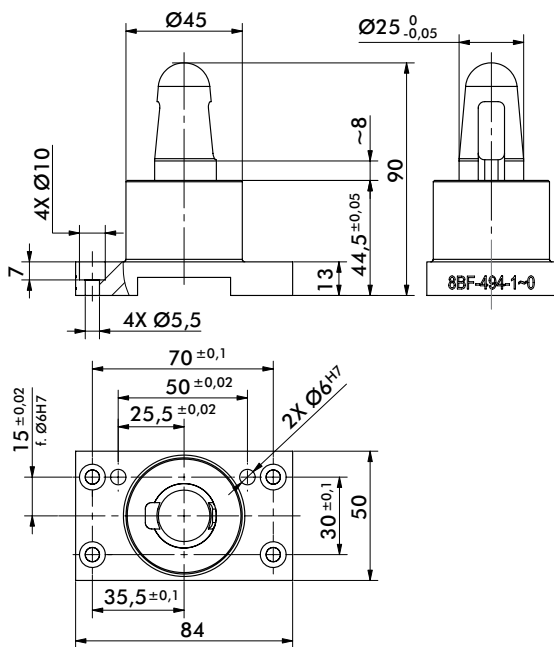
## Pneumatic Pin Clamps and Packages | Dimensions and Technical Information



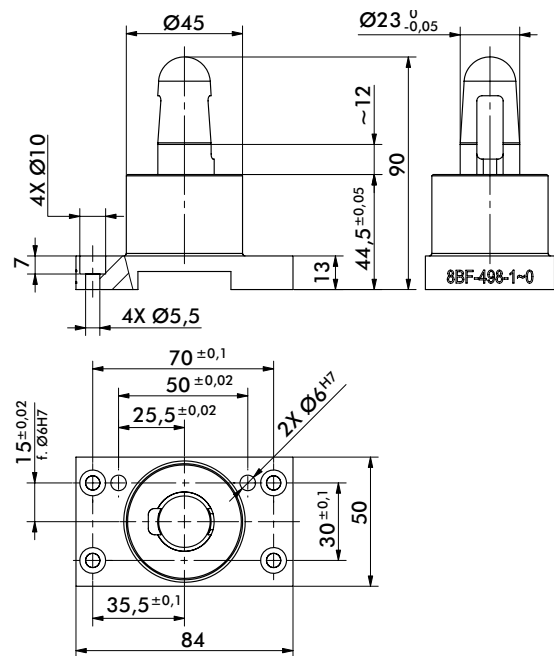
Specification	8BF-492-1
Weight	~0,57 Kg
Diameter and Tolerance	Ø30 -0.05
Shape	Round



Specification	8BF-493-1
Weight	~0,57 Kg
Diameter and Tolerance	Ø30 -0.05
Shape	Diamond



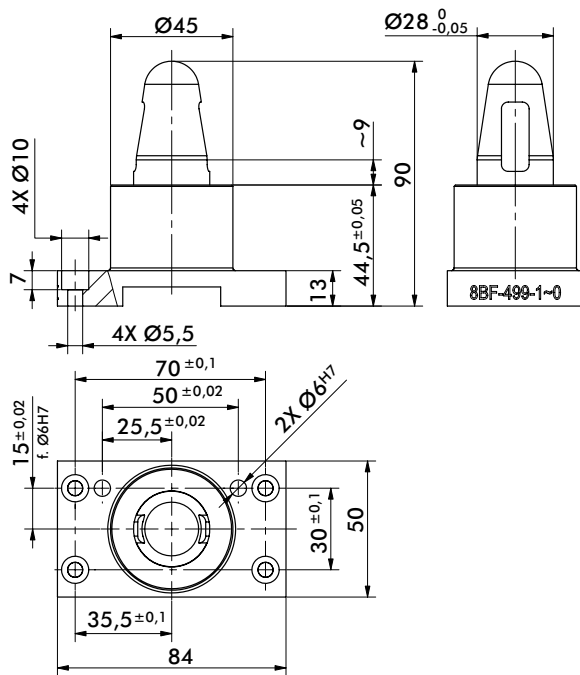
Specification	8BF-494-1
Weight	~0,54 Kg
Diameter and Tolerance	Ø25 -0.05
Shape	Round



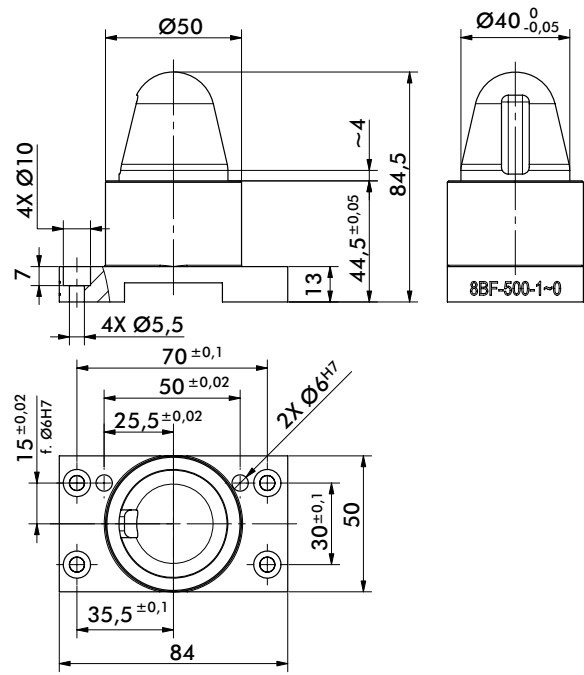
Specification	8BF-498-1
Weight	~0,53 Kg
Diameter and Tolerance	Ø23 -0.05
Shape	Round

# 82P63 CENTERING PINS

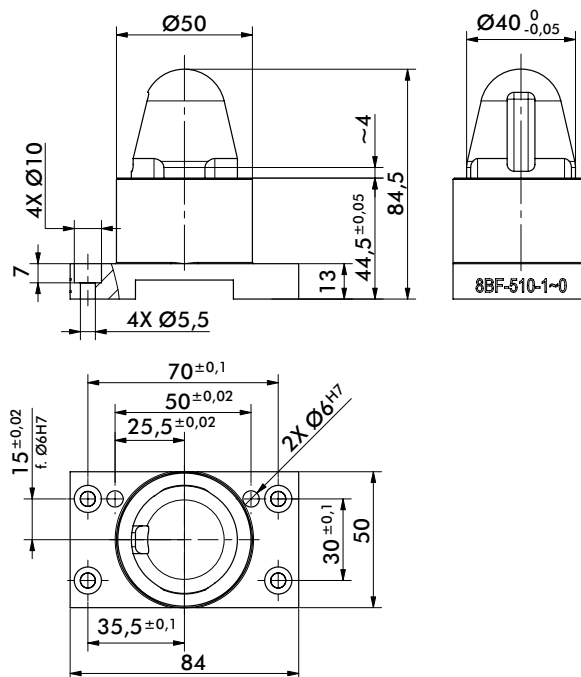
## Pneumatic Pin Clamps and Packages | Dimensions and Technical Information



Specification	8BF-499-1
Weight	~0,56 Kg
Diameter and Tolerance	Ø28 -0.05
Shape	Round



Specification	8BF-500-1
Weight	~0,68 Kg
Diameter and Tolerance	Ø40 -0.05
Shape	Round

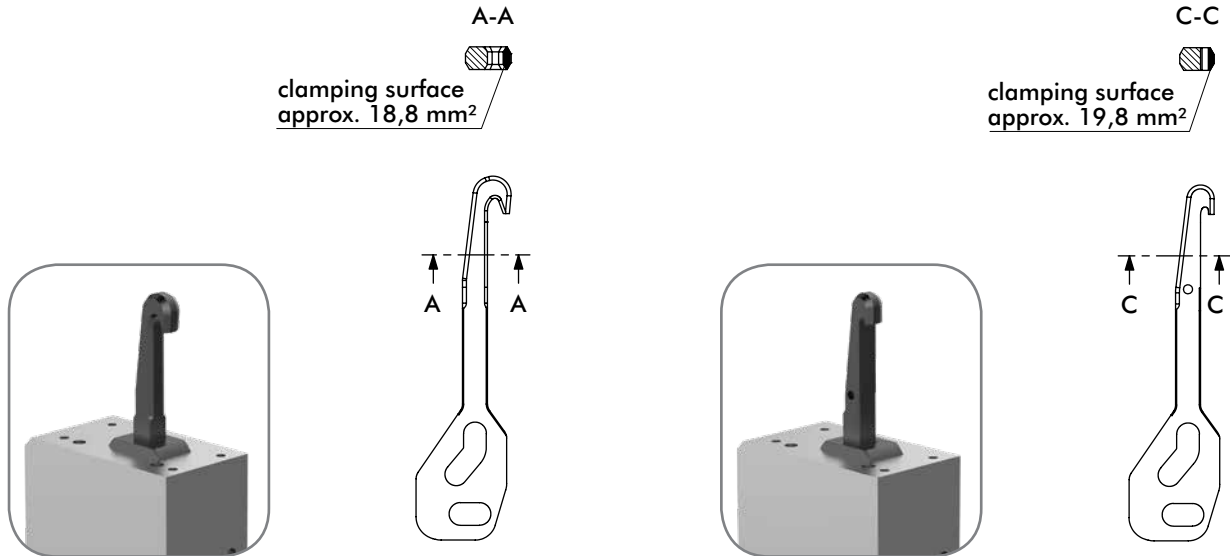


Specification	8BF-510-1
Weight	~0,68 Kg
Diameter and Tolerance	Ø40 -0.05
Shape	Diamond

# 82P50 & 82P63 SERIES

## Pneumatic Pin Clamps and Packages | Surface Pressure of Clamping Hooks

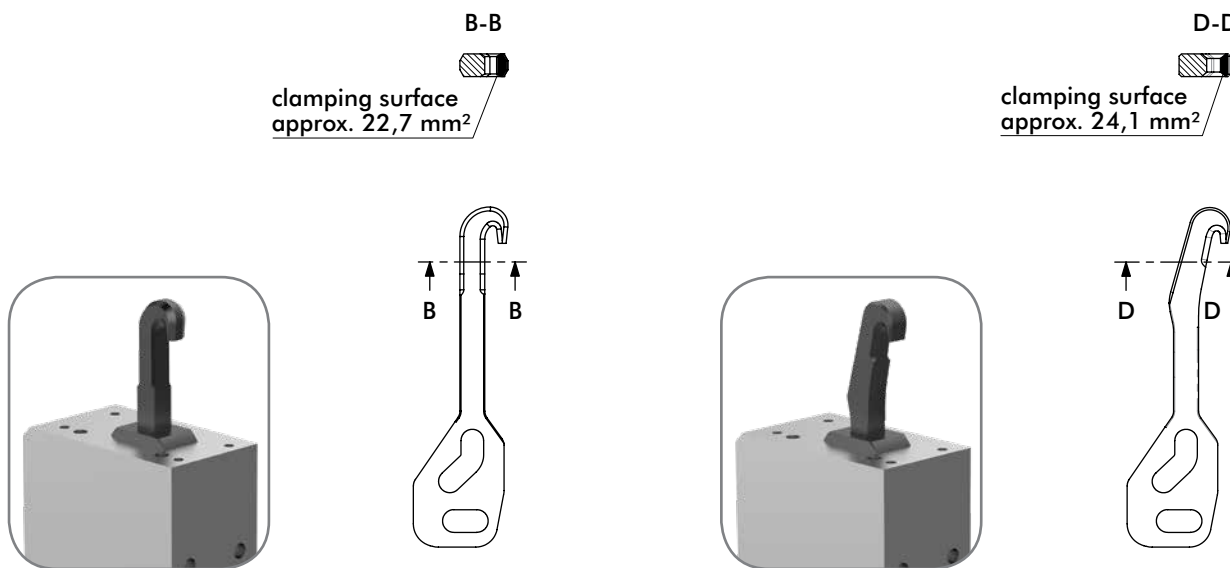
### 82P50



Specification	8JH-162-1			
Pressure [bar]	3.0	4.0	5.0	6.0
Clamping Force [N]	900	1200	1500	1800
Surface Pressure [N/mm <sup>2</sup> ]	48	64	80	96

Specification	8JH-164-1			
Pressure [bar]	3.0	4.0	5.0	6.0
Clamping Force [N]	900	1200	1500	1800
Surface Pressure [N/mm <sup>2</sup> ]	45	61	76	91

### 82P63



Specification	8JH-163-1			
Pressure [bar]	3.0	4.0	5.0	6.0
Clamping Force [N]	1500	2000	2500	3000
Surface Pressure [N/mm <sup>2</sup> ]	66	88	110	132

Specification	8JH-165-1			
Pressure [bar]	3.0	4.0	5.0	6.0
Clamping Force [N]	1500	2000	1500	1800
Surface Pressure [N/mm <sup>2</sup> ]	62	83	104	124