

82M AND TCC SERIES

Pneumatic Power Clamps | Product Overview

82M Series Enclosed Power Clamp



Shown with optional U-Arms and Cylinders with Internal Hold Open Device



"B" Front Mount available for 82M and TCC size 40mm

Same mounting pattern as size 50 and 63mm



NAAMS Lateral Mounting available on 82M and TCC in addition to narrow, wide and NAAMS Clamp Arm Shafts

80mm

Max Holding Torque
3000 Nm
Max Clamping Torque
850 Nm at 5bar

63mm

Max Holding Torque
1800 Nm
Max Clamping Torque
420 Nm at 5bar

50mm

Max Holding Torque
1300 Nm
Max Clamping Torque
270 Nm at 5bar

40mm

Max Holding Torque
380 Nm
Max Clamping Torque
120 Nm at 5bar

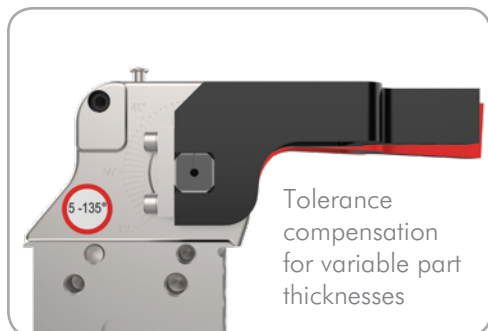
Ordering Information

Dimensional Drawings

TCC Tolerance Compensating Power Clamp



Shown with optional U-Arms and Cylinders with Internal Hold Open Device



Tolerance compensation for variable part thicknesses

- Tolerance compensation for variable sheet metal thicknesses within three degrees of arm movement
- There is no need for shimming

63mm

Max Holding Torque
295 Nm
Max Clamping Torque
295 Nm at 5bar

50mm

Max Holding Torque
175 Nm
Max Clamping Torque
175 Nm at 5bar

40mm

Max Holding Torque
85 Nm
Max Clamping Torque
85 Nm at 5bar

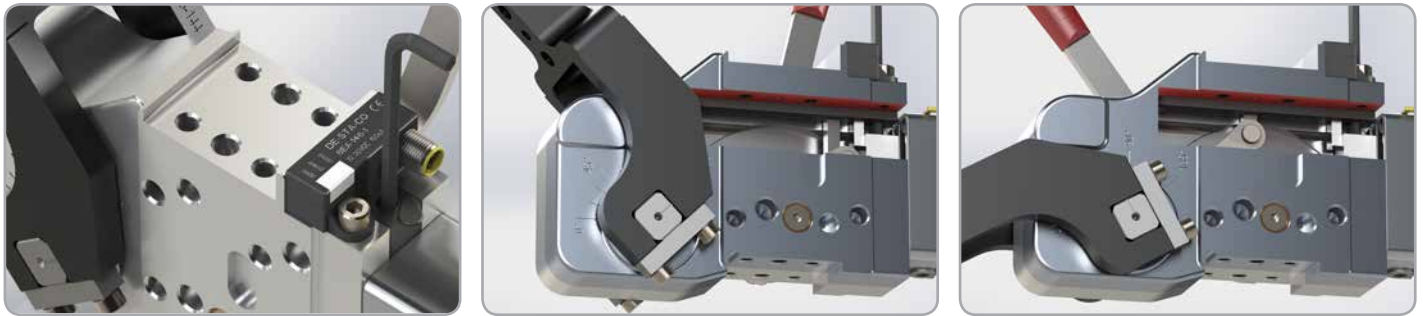
Ordering Information

Dimensional Drawings

82M AND TCC SERIES

Pneumatic Power Clamps | Product Overview

Adjusting the Arm Opening Angle

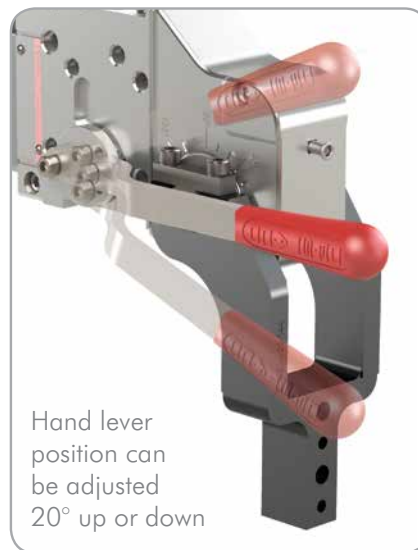


Easily adjust arm opening angle with an M5 Allen wrench.

- Move clamp arm to full open position.
- Using Allen wrench, release mechanism (leave Allen wrench in place).
- Move clamp arm to desired opening.
- Tighten to 20 Nm.

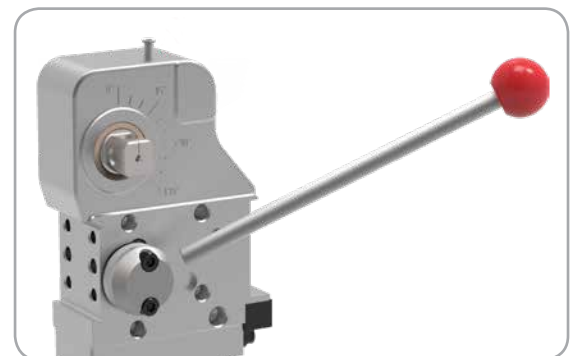
Enclosed Power Clamp Hand Lever (82M-3E Models Only)

Standard Adjustable Hand Lever



- Hand lever position is adjustable for improved ergonomics
- Handle can be mounted on the left or right side

Weldable Hand Lever



- Hand lever can be welded into a permanent position.
- Handle can be mounted on the left or right side

Dimensional Drawings

TCC-2 SERIES

Pneumatic Power Clamps with Tolerance Compensation | Ordering Information

TCC-2 **E** **03** **00** **6A** **L8**

Base Model	Mounting	Description	Clamp Arm Shaft	Description	Handle	Description
	E	Standard Mounting	03	for U-Arms	00	No Hand lever
	B	Common Front Mount for Size 40 only (same mount pattern as size 50 & 63)	23	for Lateral Arms		
	N	NAAMS Side Mounting for Size 63 only	<i>See below for further details</i>			

Mounting



Size 40



Size 50



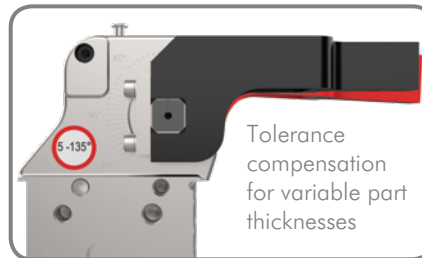
Size 63



Size 40 Only

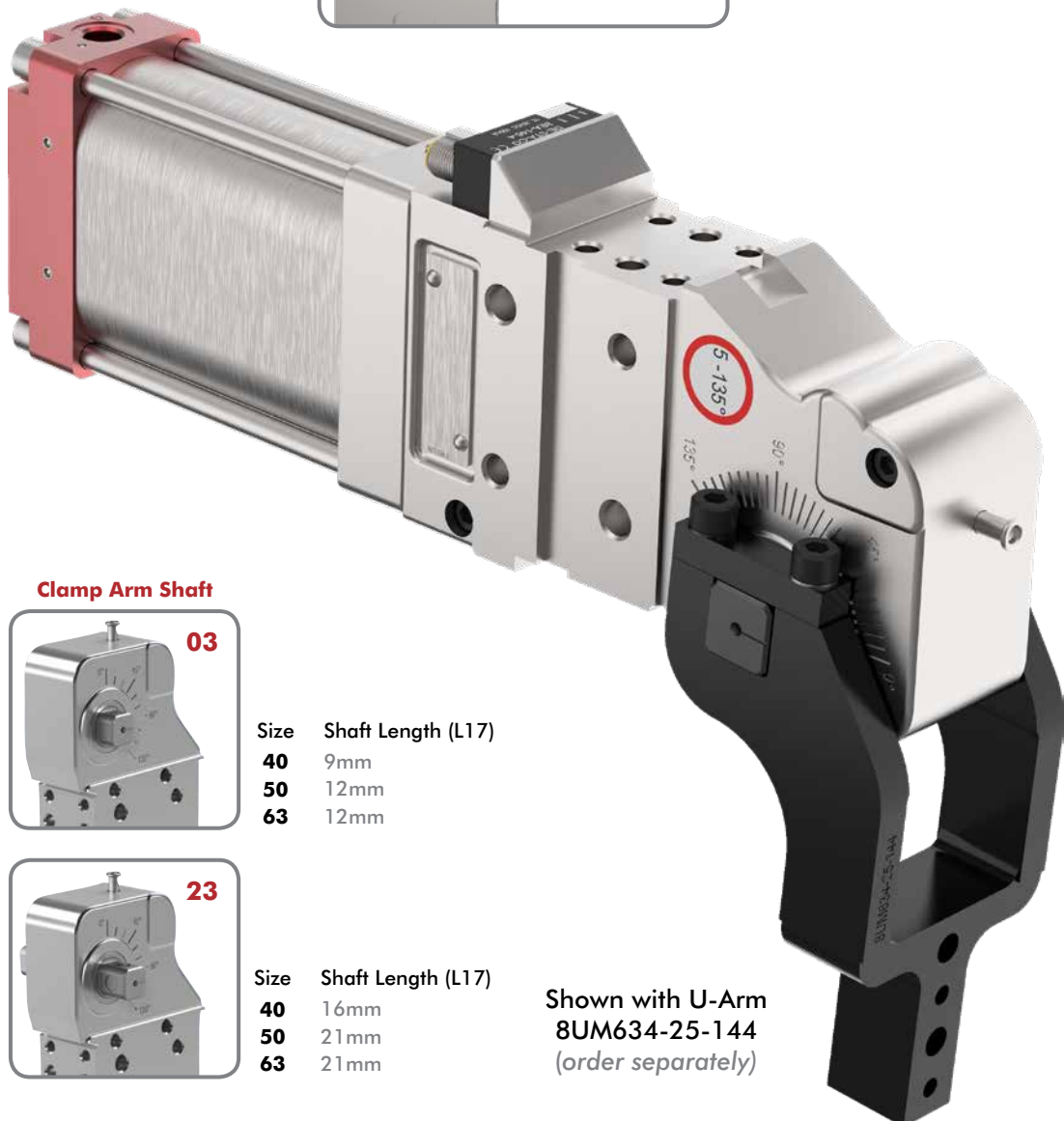


Size 63 Only



Tolerance compensation for variable part thicknesses

- Tolerance compensation for variable sheet metal thicknesses within three degrees of arm movement
- There is no need for shimming



Clamp Arm Shaft



03

Size	Shaft Length (L17)
40	9mm
50	12mm
63	12mm



23

Size	Shaft Length (L17)
40	16mm
50	21mm
63	21mm

Shown with U-Arm
8UM634-25-144
(order separately)

TCC-2 SERIES

Pneumatic Power Clamps with Tolerance Compensation | Ordering Information

Sensor	Description
00	No sensor
L8*	PNP with In-line Connector (Replacement No.: 8EA-146-4)
N8*	NPN with In-line Connector (Replacement No.: 8EA-154-4)
L9	PNP with 90 deg Connection (Replacement No.: 8EA-147-4)
N9	NPN with 90 deg Connection (Replacement No.: 8EA-155-4)
K8	PNP with Cable Connection (Replacement No.: 8EA-158-4)
K9	NPN with Cable Connection (Replacement No.: 8EA-167-4)

*Not available for use with 4V, 5V, 6V cylinder option.



Cylinder - Standard

- 40** 40mm Cylinder - G1/8 Port
- 50** 50mm Cylinder - G1/4 Port
- 5N** 50mm Cylinder - 1/4-18 NPT Port
- 63** 63mm Cylinder - G1/4 Port
- 6N** 63mm Cylinder - 1/4-18 NPT Port



Cylinder with Unlockable Return Valve

- 4C** 40mm Cylinder - G1/8 Port
- 5C** 50mm Cylinder - G1/4 Port
- 5D** 50mm Cylinder - 1/4-18 NPT Port
- 6C** 63mm Cylinder - G1/4 Port
- 6D** 63mm Cylinder - 1/4-18 NPT Port



Cylinder with Internal Hold Open Device

- 4A** 40mm Cylinder - G1/8 Port
- 5A** 50mm Cylinder - G1/4 Port
- 5B** 50mm Cylinder - 1/4-18 NPT Port
- 6A** 63mm Cylinder - G1/4 Port
- 6B** 63mm Cylinder - 1/4-18 NPT Port



Cylinder with Piston Rod Locking Device

- 4V** 40mm Cylinder - G1/8 Port
- 5V** 50mm Cylinder - G1/4 Port
- 6V** 63mm Cylinder - G1/4 Port



40

Max Holding Torque
85 Nm
Max Clamping Torque
85 Nm at 5bar

50

Max Holding Torque
175 Nm
Max Clamping Torque
175 Nm at 5bar

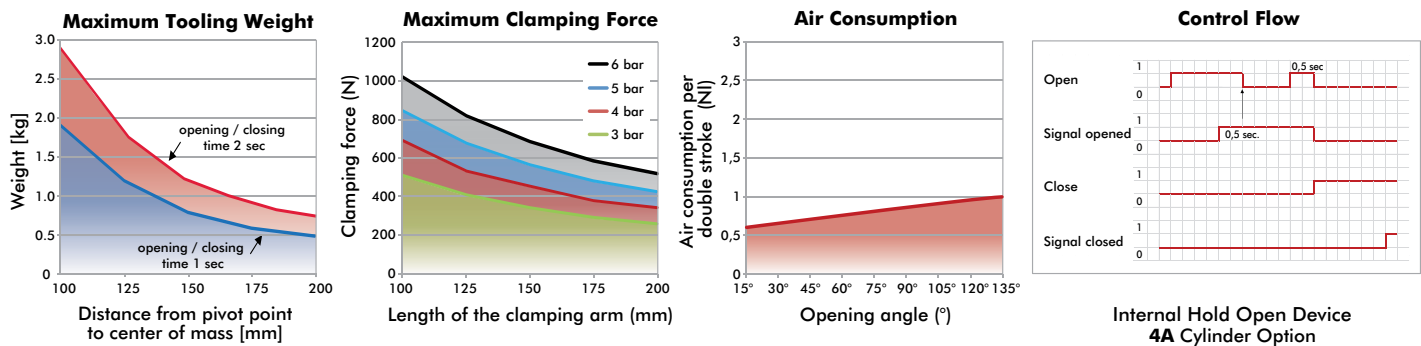
63

Max Holding Torque
295 Nm
Max Clamping Torque
295 Nm at 5bar

TCC-2 SERIES

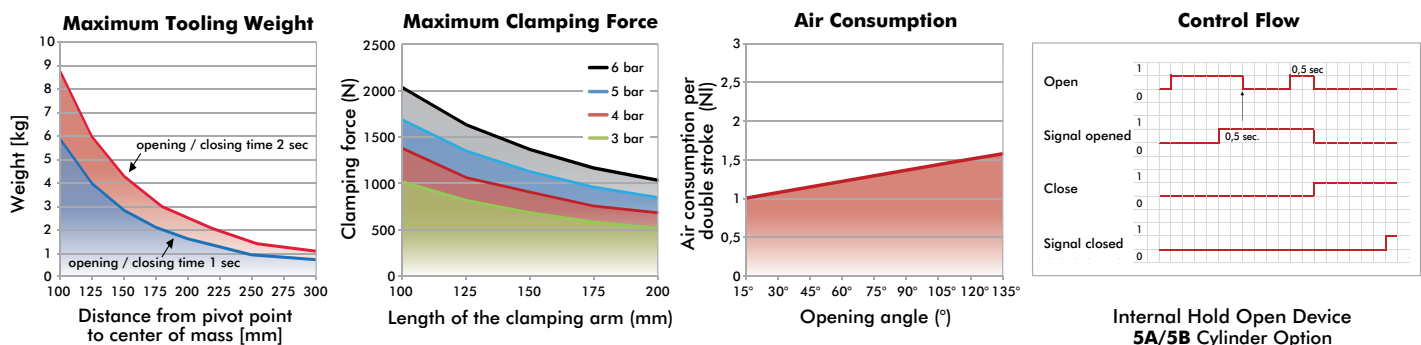
Pneumatic Power Clamps with Tolerance Compensation | Technical Specifications

Model	Max. Holding Torque (Nm)	Clamping Torque at 5 bar (Nm)	Cylinder Ø (mm)	Weight (kg)	Air Consumption per double stroke at 5 bar (liter)
TCC-2.....40..	85	85	40	1,6	0,9
TCC-2.....4A..					
TCC-2.....4B..					
TCC-2.....4C..				1,7	
TCC-2.....4V..				1,6	



ATTENTION: Calculation tool available. Please consult factory.

Model	Max. Holding Torque (Nm)	Clamping Torque at 5 bar (Nm)	Cylinder Ø (mm)	Weight (kg)	Air Consumption per double stroke at 5 bar (liter)
TCC-2E...50..	175	175	50	2,8	1,6
TCC-2E...5N..					
TCC-2E...5A..					
TCC-2E...5B..					
TCC-2E...5C..				3,0	
TCC-2E...5D..					
TCC-2E...5V..				2,9	

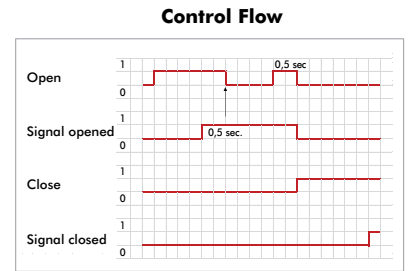
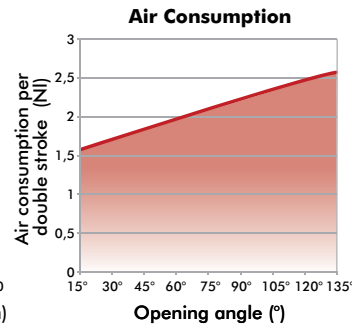
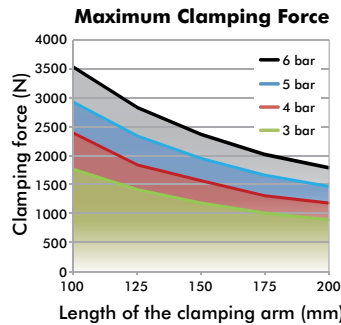
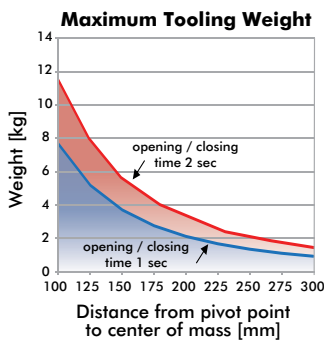


ATTENTION: Calculation tool available. Please consult factory.

TCC-2 SERIES

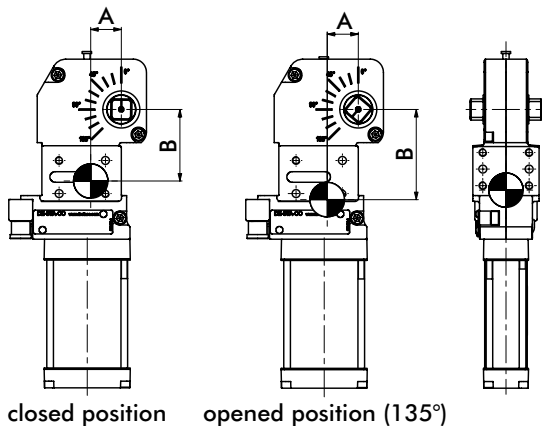
Pneumatic Power Clamps with Tolerance Compensation | Technical Specifications

Model	Max. Holding Torque (Nm)	Clamping Torque at 5 bar (Nm)	Cylinder Ø (mm)	Weight (kg)	Air Consumption per double stroke at 5 bar (liter)
TCC-2.....63..	295	295	63	3,8	2,6
TCC-2.....6N..				4,0	
TCC-2.....6A..					
TCC-2.....6B..					
TCC-2.....6C..					
TCC-2.....6D..					
TCC-2.....6V..	4,2				



ATTENTION: Calculation tool available. Please consult factory.

Center of Mass



Model	A		B		Weight
	Closed	Open	Closed	Open	
TCC-2E...40..	23	24	55	69	1,5
TCC-2B...40..	24		54	68	
TCC-2E...4A..	22			86	1,6
TCC-2B...4A..	23	23	72	85	
TCC-2E...4C..	25			89	1,7
TCC-2B...4C..	26	26	76	88	
TCC-2E...4V..	24			80	1,6
TCC-2B...4V..	24	24	66	79	
TCC-2E...50..				70	2,6
TCC-2E...5N..	24	25		87	
TCC-2E...5A..				83	2,8
TCC-2E...5B..				99	
TCC-2E...5C..	27			96	3,0
TCC-2E...5D..		27		110	
TCC-2E...5V..	25	26		84	2,9
TCC-2.....63..				89	
TCC-2.....6N..	27			89	3,7
TCC-2.....6A..		28		105	
TCC-2.....6B..				98	3,9
TCC-2.....6C..				114	
TCC-2.....6D..	30	30		116	4,4
TCC-2.....6V..	28	28		130	
TCC-2.....6V..				103	3,9
				119	

82M-3 SERIES

Pneumatic Power Clamps | Ordering Information

82M-3 **E** **23** **H0** **50** **L8** - **1** ● North America Only

Base Model	Mounting	Description
	E	Standard Mounting
	B	Common Front Mount for Size 40 only (same mount pattern as size 50 & 63)
	N	NAAMS Side Mounting for Size 63 only

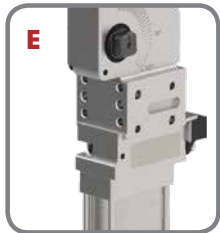
Clamp Arm Shaft	Description
03	for U-Arms
23	for Lateral Arms
D0	for Lateral Arms (size 63 NAAMS only)

Handle	Description
00	No Hand lever
H0	Hand Lever
HS	Weldable

See below for further details

See below for further details

Mounting



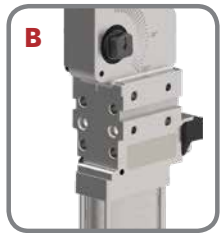
Size 40



Size 50



Size 63/80



Size 40 Only



Size 63 Only

Clamp Arm Shaft



03

Size	Shaft Length (L17)
40	9mm
50	12mm
63	12mm



23/D0

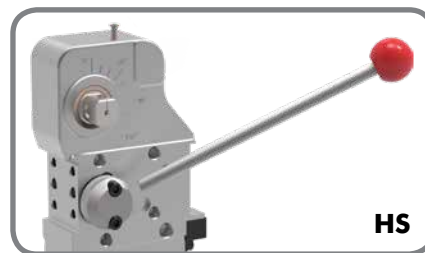
Size	Shaft Length (L17)
40	16mm
50	21mm
63	21mm
80	32mm

Size	Shaft Length (L17)
D0	26mm

Hand Lever

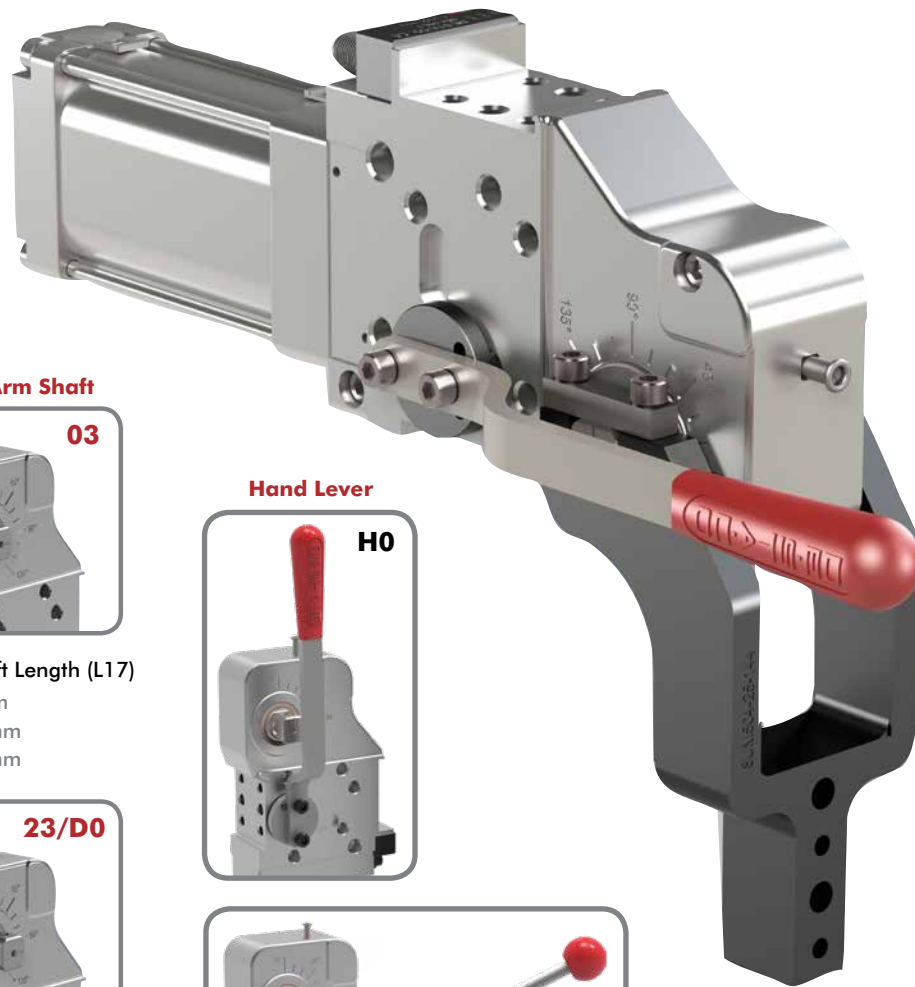


H0



HS

Hand Lever	Description
00	No Hand Lever
H0	Standard Hand Lever (not compatible with cylinder options *A and *B)
HS	Weldable Hand Lever (not compatible with cylinder options *A and *B)



Shown with U-Arm
8UM504-25-144
(order separately)

82M-3 SERIES

Pneumatic Power Clamps | Ordering Information

Sensor	Description
00	No sensor
L8	PNP with In-line Connector (Replacement No.: 8EA-146-4)
N8	NPN with In-line Connector (Replacement No.: 8EA-154-4)
L9	PNP with 90 deg Connection (Replacement No.: 8EA-147-4)
N9	NPN with 90 deg Connection (Replacement No.: 8EA-155-4)
K8	PNP with Cable Connection (Replacement No.: 8EA-158-4)
K9	NPN with Cable Connection (Replacement No.: 8EA-167-4)



Cylinder - Standard

- 40** 40mm Cylinder - G1/8 Port
- 50** 50mm Cylinder - G1/4 Port
- 5N** 50mm Cylinder - 1/4-18 NPT Port
- 63** 63mm Cylinder - G1/4 Port
- 6N** 63mm Cylinder - 1/4-18 NPT Port
- 80** 80mm Cylinder - G1/4 Port
- 8N** 80mm Cylinder - 1/4-18 NPT Port



Cylinder with Internal Hold Open Device

- 4A** 40mm Cylinder - G1/8 Port
- 5A** 50mm Cylinder - G1/4 Port
- 5B** 50mm Cylinder - 1/4-18 NPT Port
- 6A** 63mm Cylinder - G1/4 Port
- 6B** 63mm Cylinder - 1/4-18 NPT Port
- 8A** 80mm Cylinder - G1/4 Port
- 8B** 80mm Cylinder - 1/4-18 NPT Port



40

Max Holding Torque
380 Nm
Max Clamping Torque
120 Nm at 5bar

50

Max Holding Torque
1300 Nm
Max Clamping Torque
270 Nm at 5bar

63

Max Holding Torque
1800 Nm
Max Clamping Torque
420 Nm at 5bar

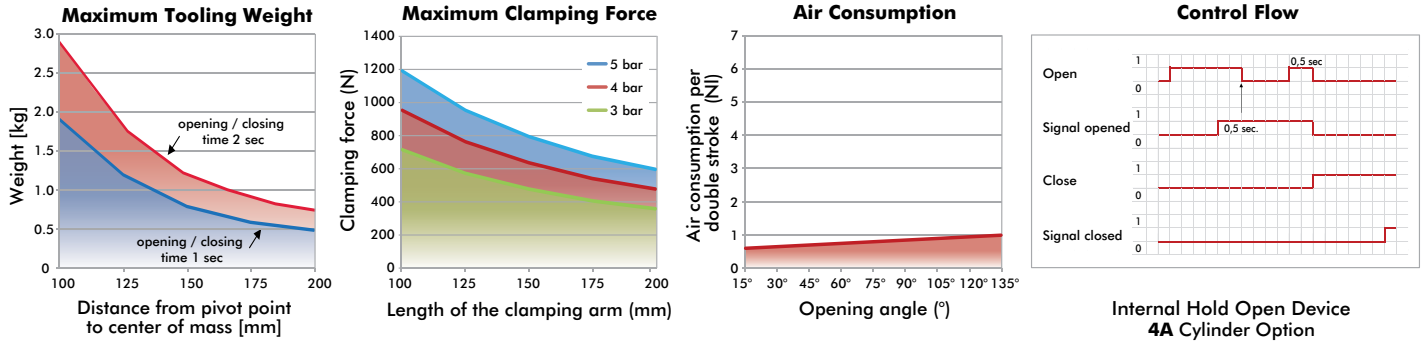
80

Max Holding Torque
3000 Nm
Max Clamping Torque
850 Nm at 5bar

82M-3 SERIES

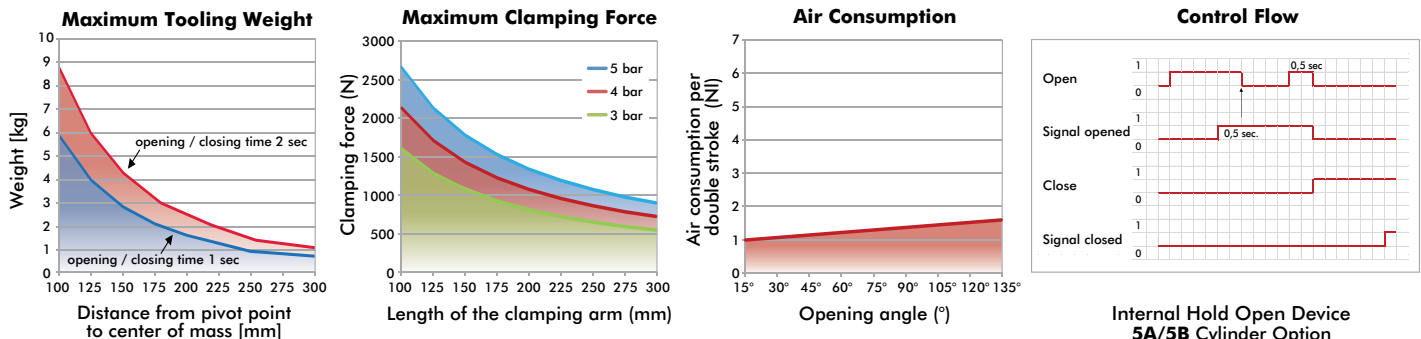
Pneumatic Power Clamps | Technical Specifications

Model	Max. Holding Torque (Nm)	Clamping Torque at 5 bar (Nm)	Cylinder Ø (mm)	Weight (kg)	Air Consumption per double stroke at 5 bar (liter)
82M-3E...4...	380	120	40	1,5	0,9
82M-3B...4...					



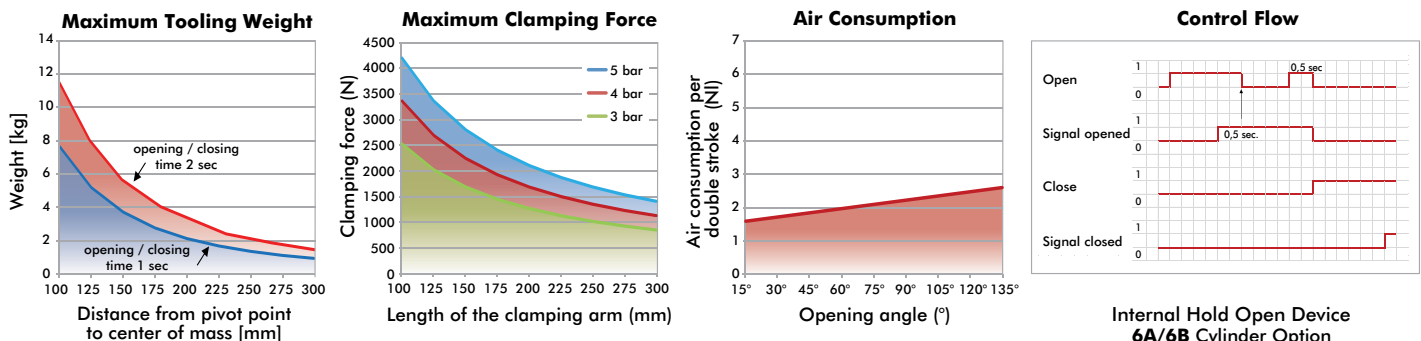
ATTENTION: Calculation tool available. Please consult factory.

Model	Max. Holding Torque (Nm)	Clamping Torque at 5 bar (Nm)	Cylinder Ø (mm)	Weight (kg)	Air Consumption per double stroke at 5 bar (liter)
82M-3E...5...	1300	270	50	2,8	1,6



ATTENTION: Calculation tool available. Please consult factory.

Model	Max. Holding Torque (Nm)	Clamping Torque at 5 bar (Nm)	Cylinder Ø (mm)	Weight (kg)	Air Consumption per double stroke at 5 bar (liter)
82M-3E...6...	1800	420	63	3,8	2,6
82M-3N...6...					

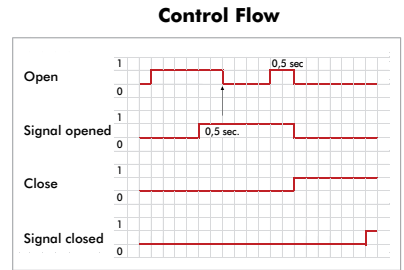
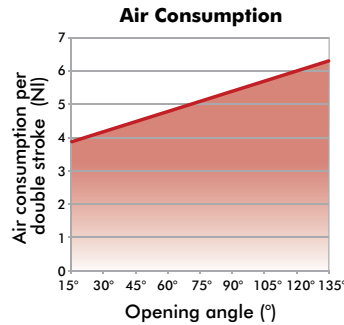
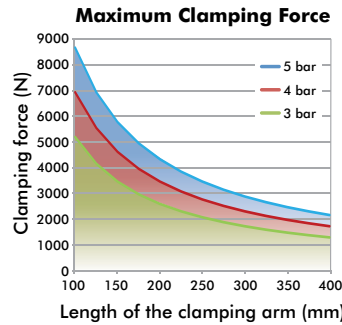
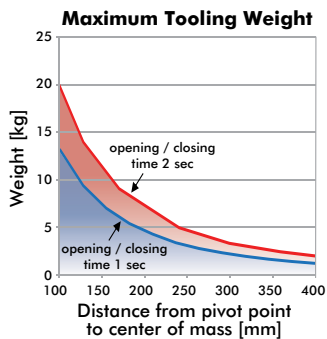


ATTENTION: Calculation tool available. Please consult factory.

82M-3 SERIES

Pneumatic Power Clamps | Technical Specifications

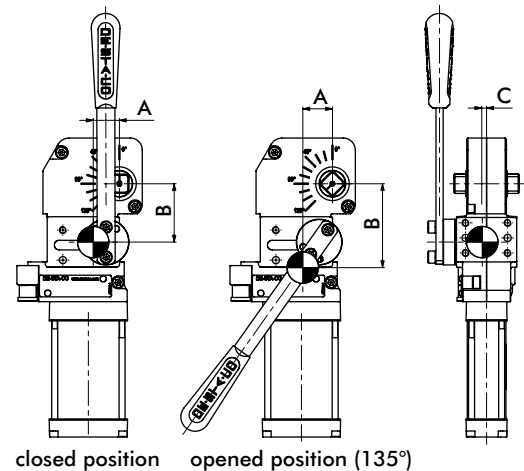
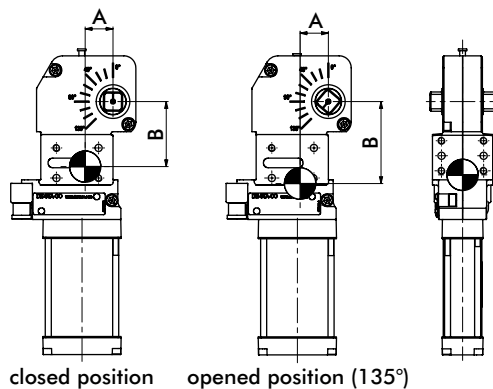
Model	Max. Holding Torque (Nm)	Clamping Torque at 5 bar (Nm)	Cylinder Ø (mm)	Weight (kg)	Air Consumption per double stroke at 5 bar (liter)
82M-3E...80..	3000	850	80	8,7	6,3
82M-3E...8N..				8,8	
82M-3E...8A..					
82M-3E...8B..					



Internal Hold Open Device
8A/8B Cylinder Option

ATTENTION: Calculation tool available. Please consult factory.

Center of Mass



Model	Without Handle				Weight	
	A		B			
	Closed	Open	Closed	Open		
82M-3E...40..	23	24	55	69	1,5	
82M-3B...40..	24	24	54	68		
82M-3E...4A..	22	23	72	86	1,6	
82M-3B...4A..	23		85			
82M-3E...50..	24	25	70	87	2,8	
82M-3E...5N..			83	99		
82M-3E...5A..			88	103		3,8
82M-3...63..			98	114		
82M-3...6N..	27	28	98	123	8,7	
82M-3...6A..			98	123		
82M-3...6B..	36	37	104	129	8,9	
82M-3E...80..			98	123		
82M-3E...8N..			98	123		
82M-3E...8A..			104	129		
82M-3E...8B..						

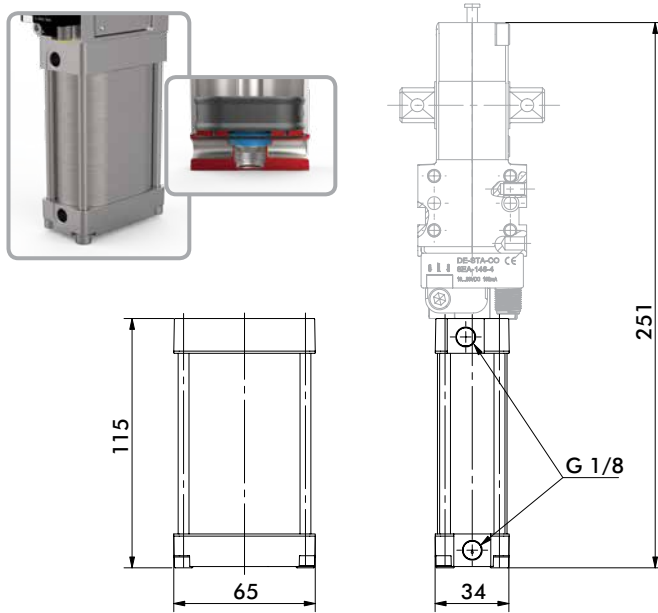
Model	With Handle				C	Weight
	A		B			
	Closed	Open	Closed	Open		
82M-3E...40..	22	25	49	70	4	1,6
82M-3B...40..	24	27	46	67		
82M-3E...50..	23	30	62	85	3	3,1
82M-3E...5N..	23	30	62	85		
82M-3...63..	26	30	80	102	2	9,2
82M-3...6N..	26	30	80	102		
82M-3E...80..	35	38	93	122		
82M-3E...8N..						

82M-3/TCC-2 SERIES 40MM

Pneumatic Power Clamps | Cylinder Options Dimension and Technical Specifications

82M-3/TCC-2.....40

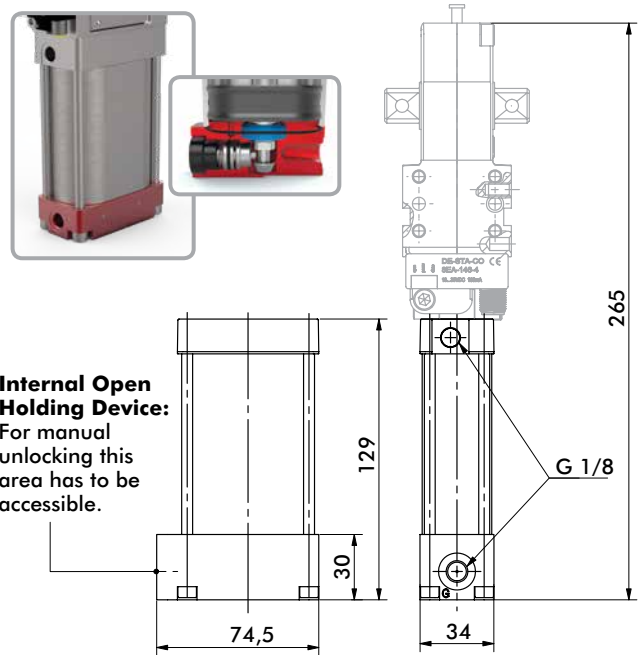
Standard Cylinder



82M-3/TCC-2.....4A

Cylinder with Internal Hold Open Device

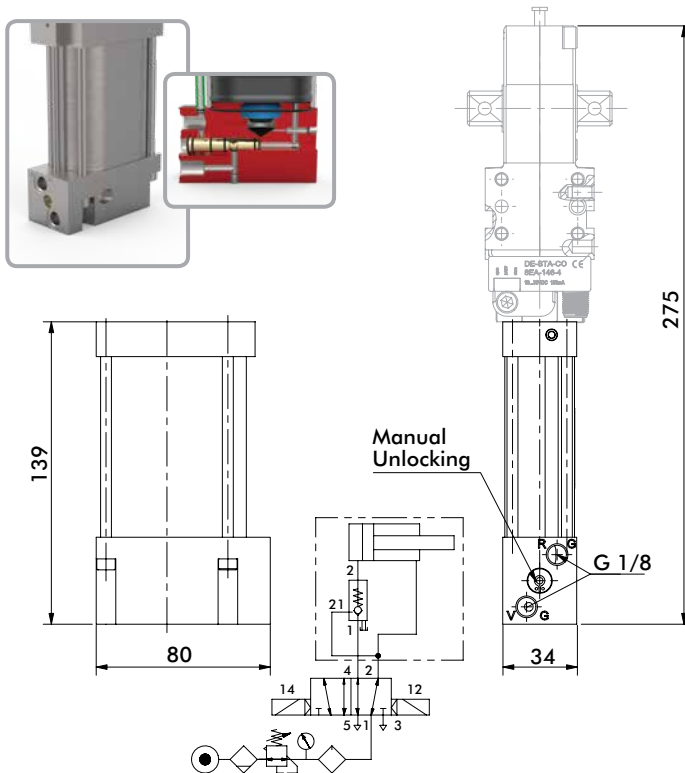
Securely holds clamp in the open position.



TCC-2.....4C

Cylinder with Unlock-able Return Valve

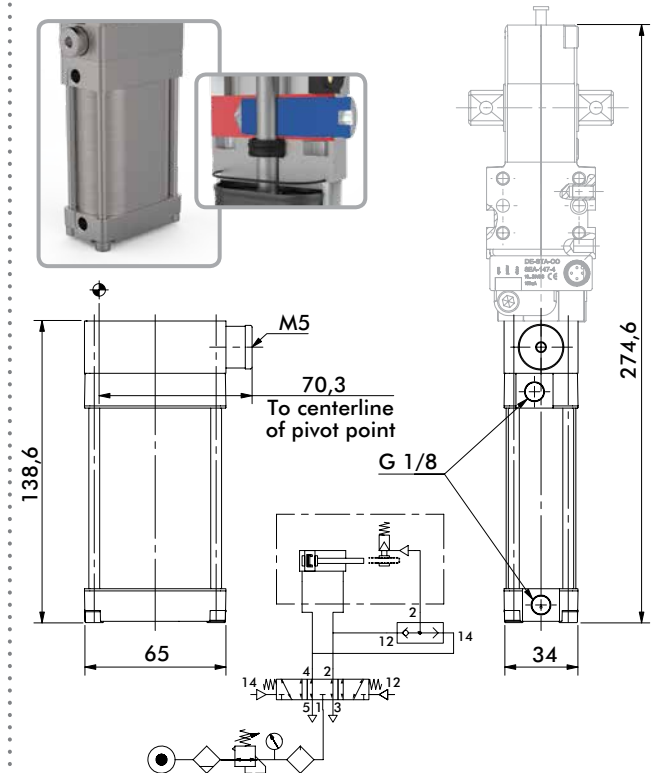
Pneumatically holds clamp arm in the closed position when air is released.



TCC-2.....4V

Cylinder with Rod Locking Device

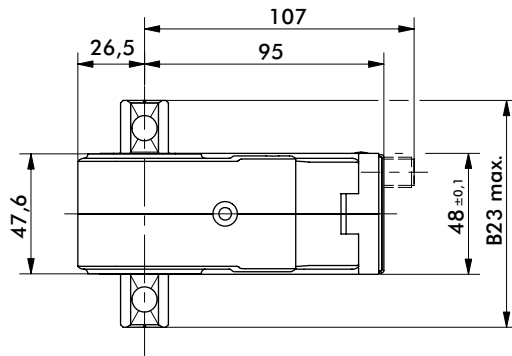
Uses friction to clamp rod at any point between open and closed positions.



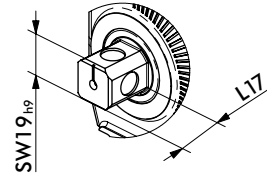
82M-3/TCC-2 SERIES 50MM

Pneumatic Power Clamps | Dimensions

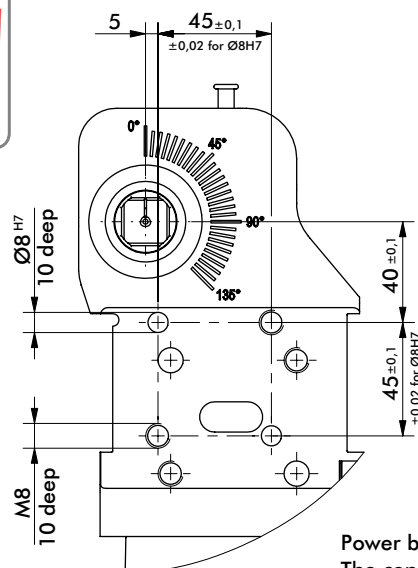
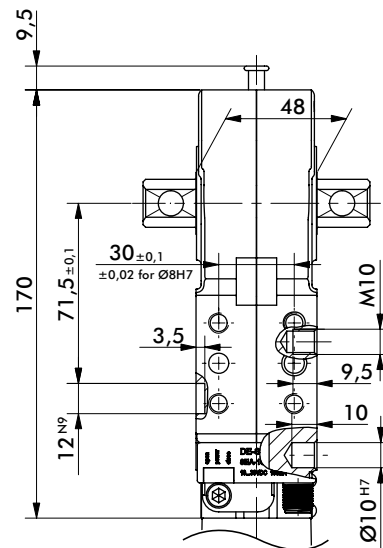
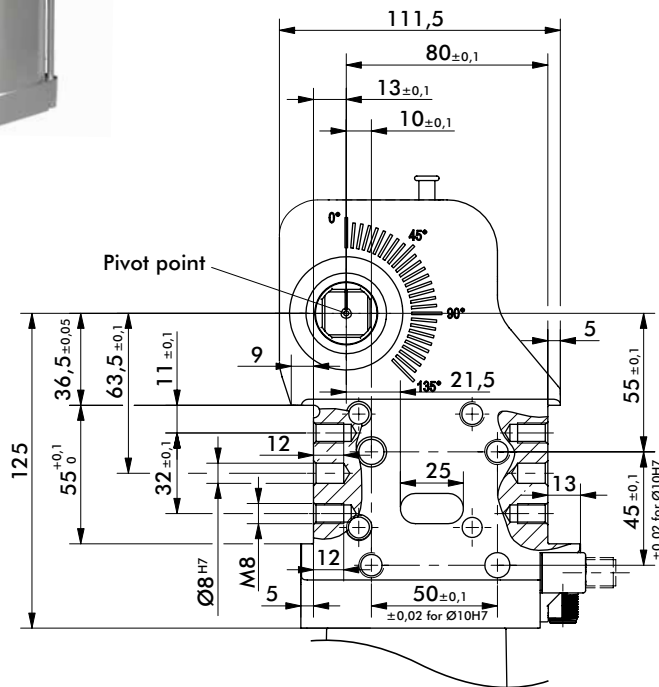
82M-3E/TCC-2E...5.



Dimensions of the driven shaft



Model	B23 Max.	L17
82M-3E03/TCC-2E03..5...	72	12
82M-3E23/TCC-2E23..5...	90	21



mm [INCH]



THIRD ANGLE PROJECTION

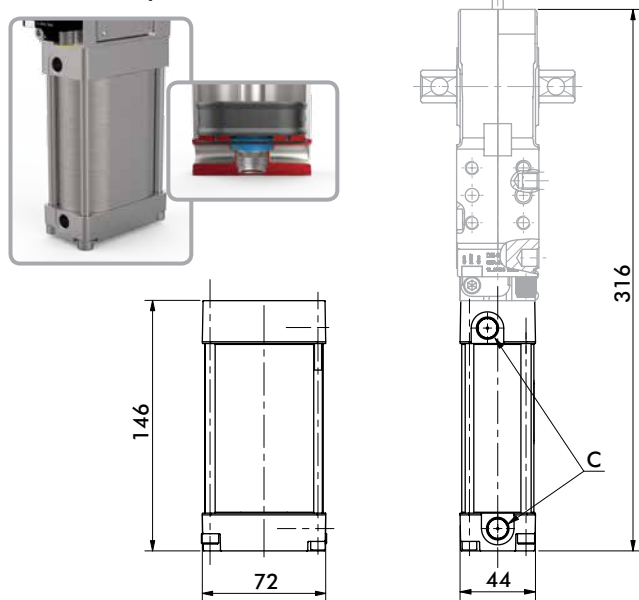
Power by compressed air, max. 6 bar operation with oil-free air is permissible. The connector socket and the cable are not supplied with the unit. Safe "holding/clamping" only under pressurization (for TCC models only).

82M-3/TCC-2 SERIES 50MM

Pneumatic Power Clamps | Cylinder Options Dimension and Technical Specifications

82M-3E/TCC-2E...50/5N

Standard Cylinder



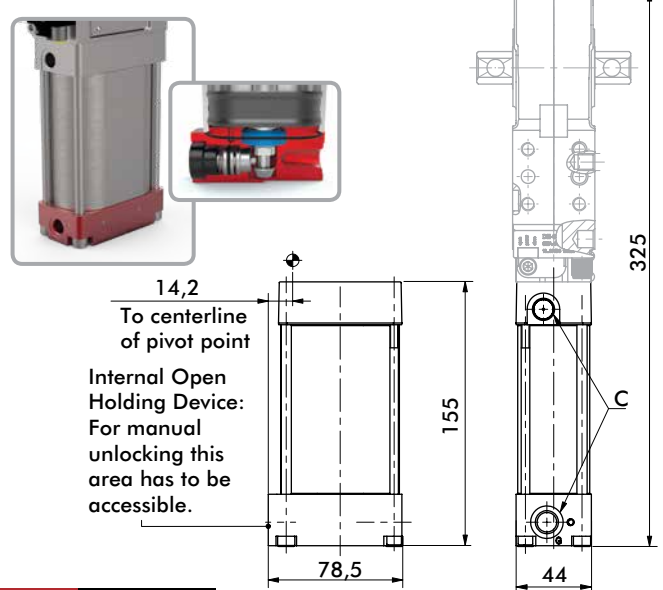
Ports	C
50	G1/4
5N	1/4-18 NPT

Important! For optimal cushioning, external pneumatic one-way flow control valves should be used.

82M-3E/TCC-2E...5A/5B

Cylinder with Internal Hold Open Device

Securely holds clamp in the open position.



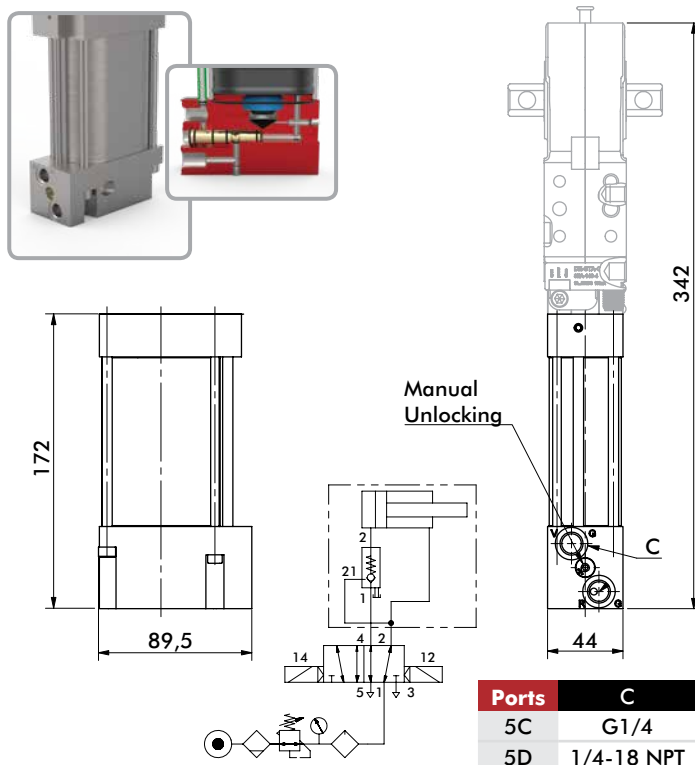
Ports	C
5A	G1/4
5B	1/4-18 NPT

Important! For optimal cushioning, external pneumatic one-way flow control valves should be used.

TCC-2E...5C/5D

Cylinder with Unlock-able Return Valve

Pneumatically holds clamp arm in the closed position when air is released.

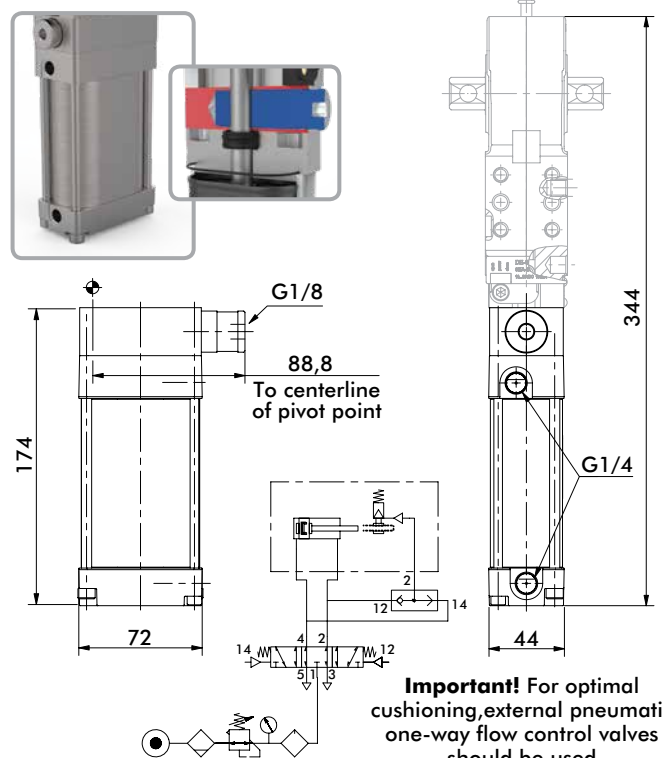


Ports	C
5C	G1/4
5D	1/4-18 NPT

TCC-2E...5V

Cylinder with Rod Locking Device

Uses friction to clamp rod at any point between open and closed positions.



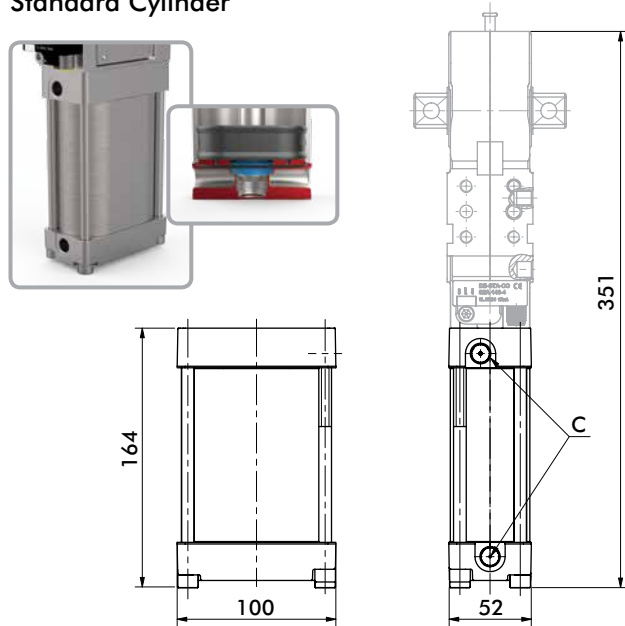
Important! For optimal cushioning, external pneumatic one-way flow control valves should be used.

82M-3/TCC-2 SERIES 63MM

Pneumatic Power Clamps | Cylinder Options Dimension and Technical Specifications

82M-3/TCC-2.....63/6N

Standard Cylinder



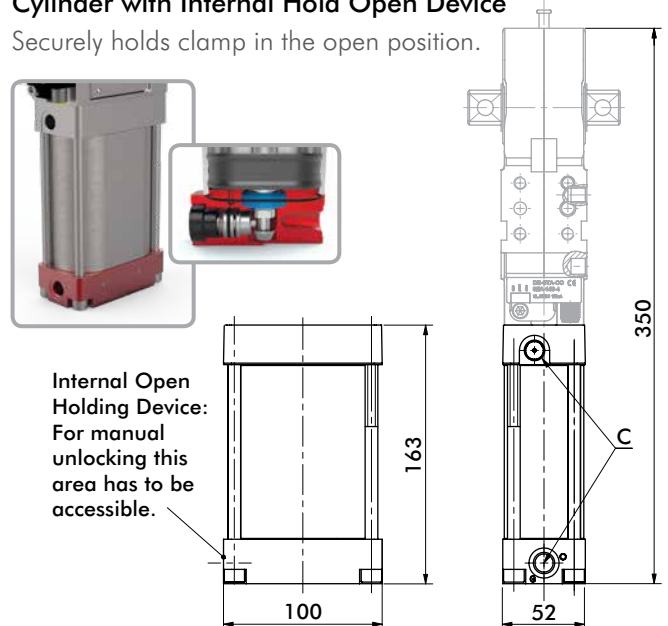
Ports	C
63	G1/4
6N	1/4-18 NPT

Important! For optimal cushioning, external pneumatic one-way flow control valves should be used.

82M-3/TCC-2.....6A/6B

Cylinder with Internal Hold Open Device

Securely holds clamp in the open position.



Ports	C
6A	G1/4
6B	1/4-18 NPT

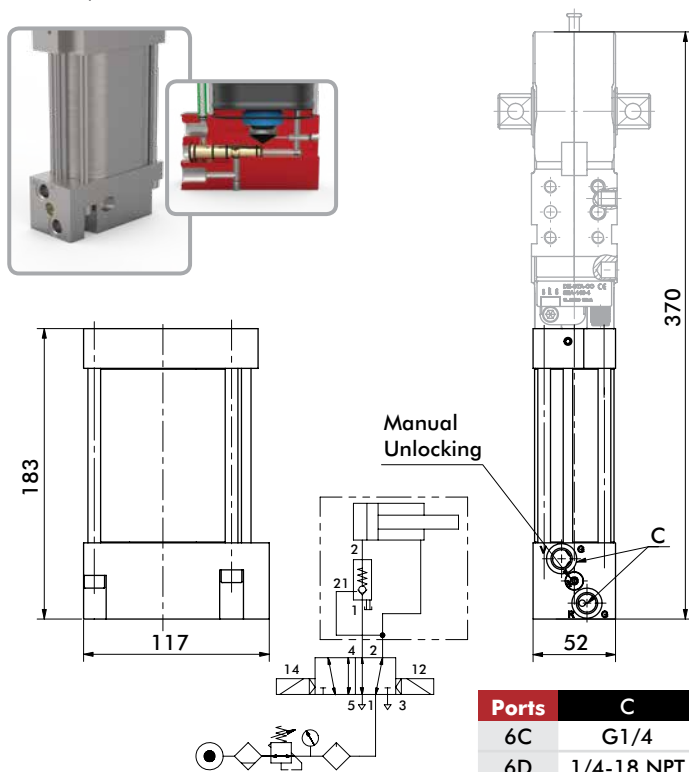
Internal Open Holding Device:
For manual unlocking this area has to be accessible.

Important! For optimal cushioning, external pneumatic one-way flow control valves should be used.

TCC-2.....6C/6D

Cylinder with Unlock-able Return Valve

Pneumatically holds clamp arm in the closed position when air is released.

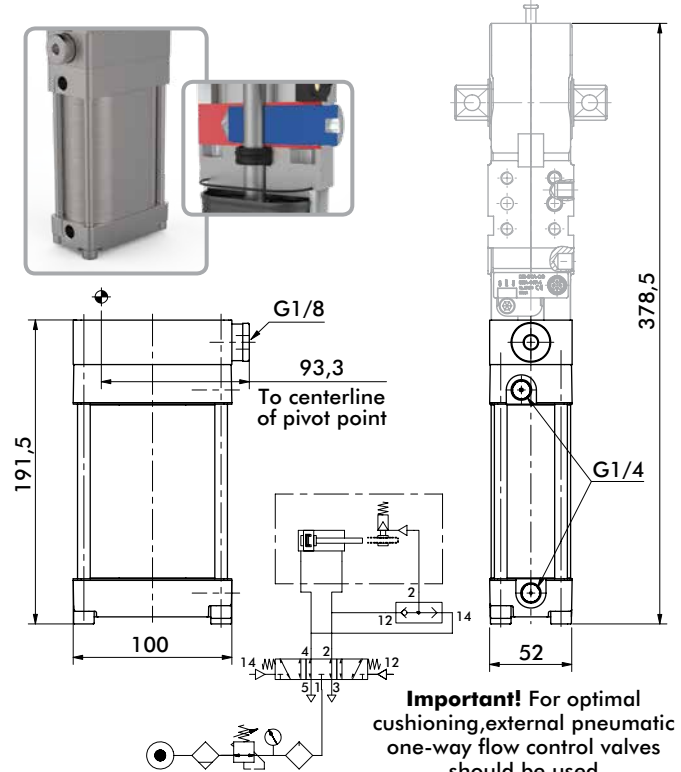


Ports	C
6C	G1/4
6D	1/4-18 NPT

TCC-2.....6V

Cylinder with Rod Locking Device

Uses friction to clamp rod at any point between open and closed positions.



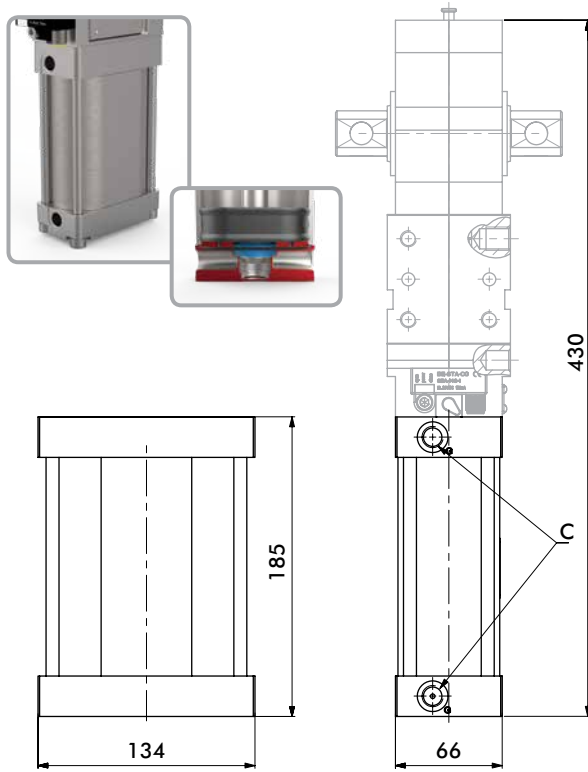
Important! For optimal cushioning, external pneumatic one-way flow control valves should be used.

82M-3 SERIES 80MM

Pneumatic Power Clamps | Cylinder Options Dimension and Technical Specifications

82M-3E...80/8N

Standard Cylinder



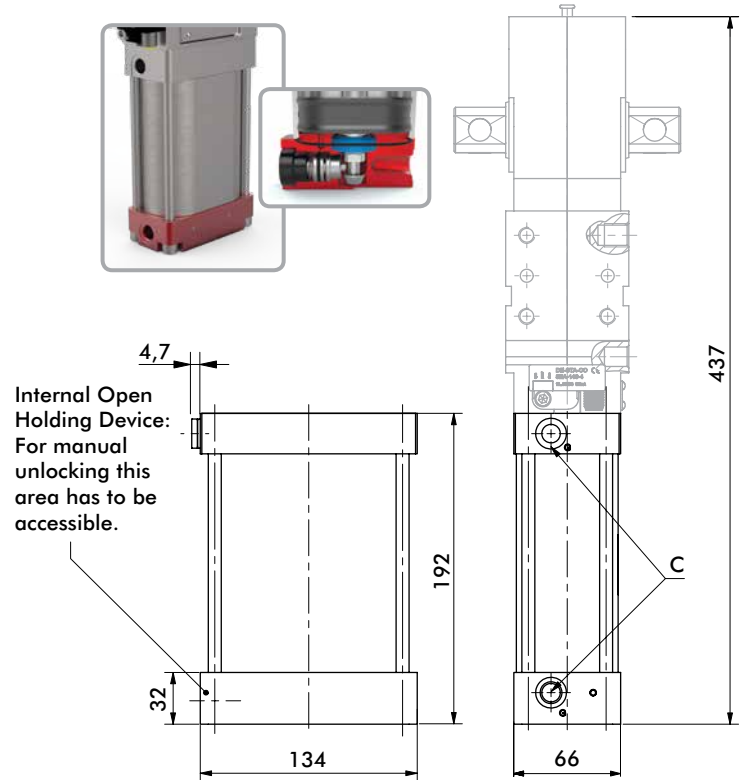
Ports	C
80	G1/4
8N	1/4-18 NPT

Important! For optimal cushioning, external pneumatic one-way flow control valves should be used.

82M-3E...8A/8B

Cylinder with Internal Hold Open Device

Securely holds clamp in the open position.



Internal Open Holding Device:
For manual unlocking this area has to be accessible.

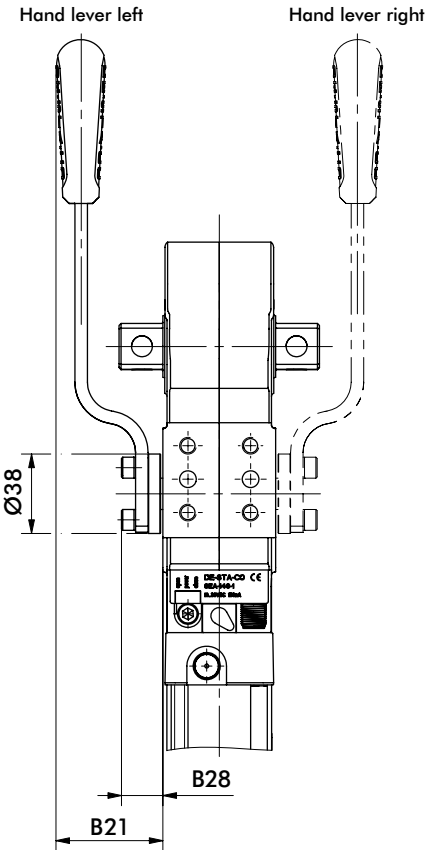
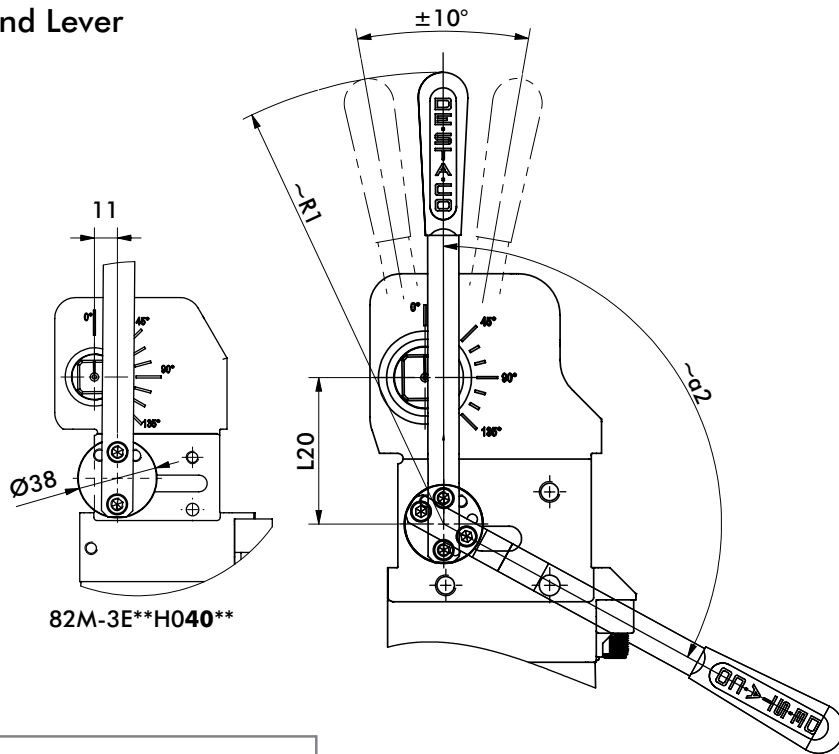
Ports	C
8A	G1/4
8B	1/4-18 NPT

Important! For optimal cushioning, external pneumatic one-way flow control valves should be used.

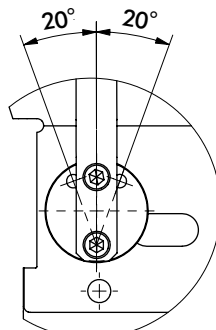
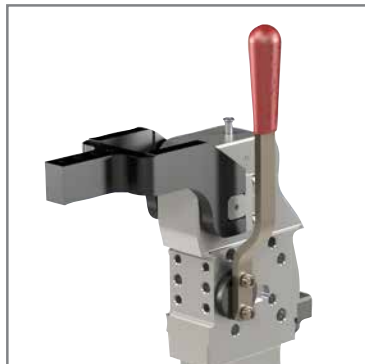
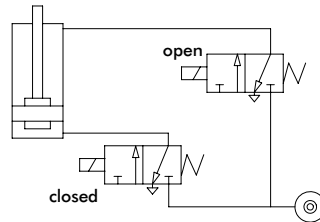
82M-3 ACCESSORIES

Pneumatic Power Clamps | Dimensions | Technical Specifications

Hand Lever



Pneumatic circuit required for manual and pneumatic actuation.



Hand lever can be mounted in 3 positions



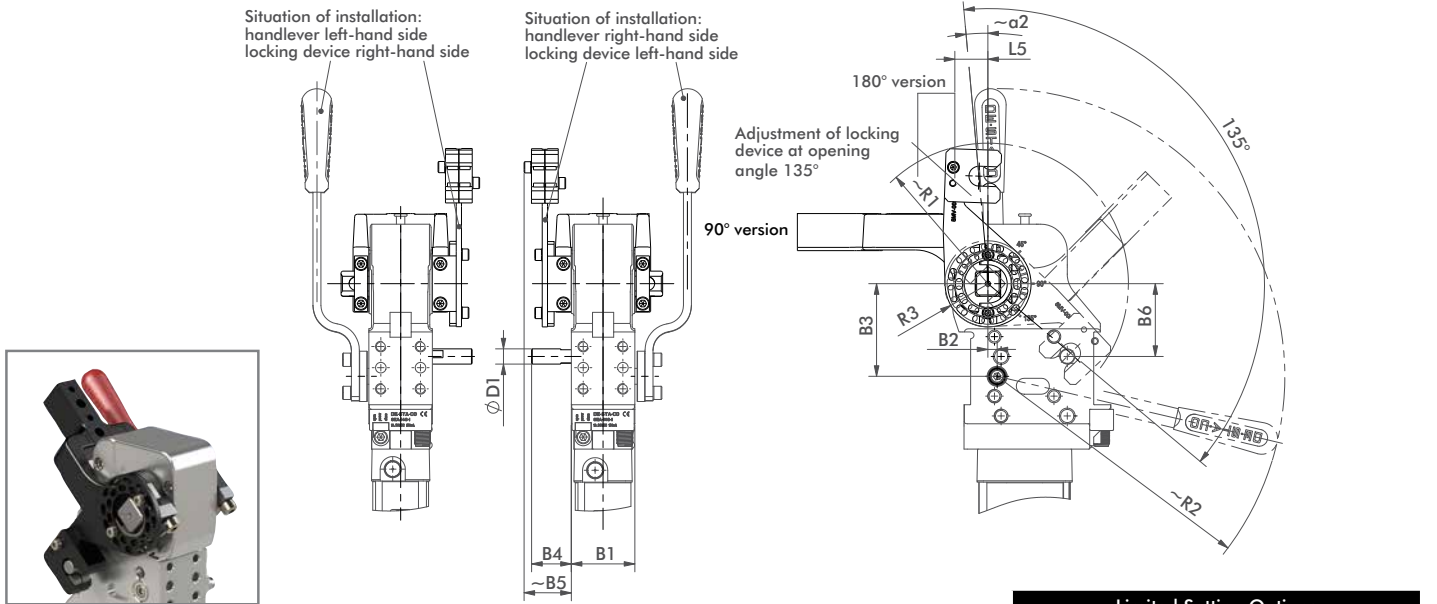
Hand lever position is adjustable to ± 20 degrees for improved ergonomics.

Model No.	B21	B28	L20	~R1	Swivel Angle $\alpha 2$ (with reference to opening angle of clamp arm)									
					0°	15°	30°	45°	60°	75°	90°	105°	120°	135°
82M-3...H040..	27	24	48,5	160	0°	31°	41°	49°	58°	69°	88°	113°	134°	144°
82M-3...H05...	52	20	70	218	-1°	30°	39°	46°	53°	61°	70°	81°	92°	103°
82M-3...H06..	52	20	70,5	218	0°	30°	39°	47°	56°	66°	79°	94°	108°	119°
82M-3...H08..	56	24	82	268	-1°	28°	37°	45°	53°	63°	75°	92°	107°	117°

82M-3 ACCESSORIES

Pneumatic Power Clamps | Dimensions | Technical Specifications

Locking Device for Hand Lever

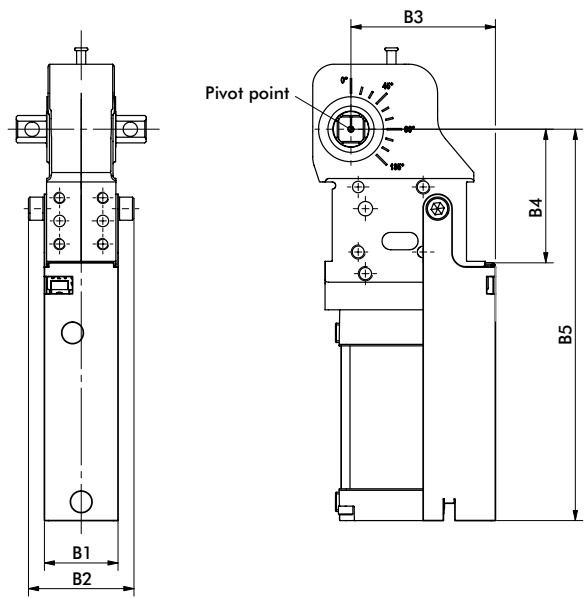


Order No.	For Model	B1	B2	B3	B4	B5	B6	ØD1	R1	R2	R3	α2	Limited Setting Options					
													Height of the clamping arm: L5 max.					
													90° version		180° version			
													45	75	00	15	25	45
82ZB-162-1	82M-3...H040..	50	11	48,5	25	31	38,5	10,5	81	160	27	6	120°	-	105°	120°	120°	120°
82ZB-084-1	82M-3...H05...	48	7	70	30	36	55	11,5	107	218	32,5	6	120°	-	-	105°	120°	-
82ZB-039-1	82M-3...H06...	54	9	70,5	30	36	55	11,5	107	210	32,5	6	110°	105°	-	105°	120°	-



Anti-ramming device is only available for standard cylinder with 82M-3...00..00 and 82M-3...00..L8

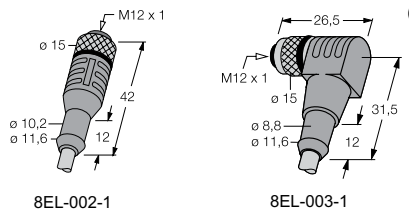
Anti-Ramming Device



Order No.	For Model	B1	B2	B3	B4	B5
8AB-151-1	82M-3....40..	53	66,5	89,5	65,5	210,5
8AB-152-1	82M-3....5...	51	73	100	92,5	271
8AB-153-1	82M-3....6...	57	79	120	104,5	296
8AB-154-1	82M-3....8...	79	105,5	148	142,5	360

Cable and Connector

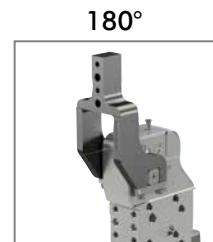
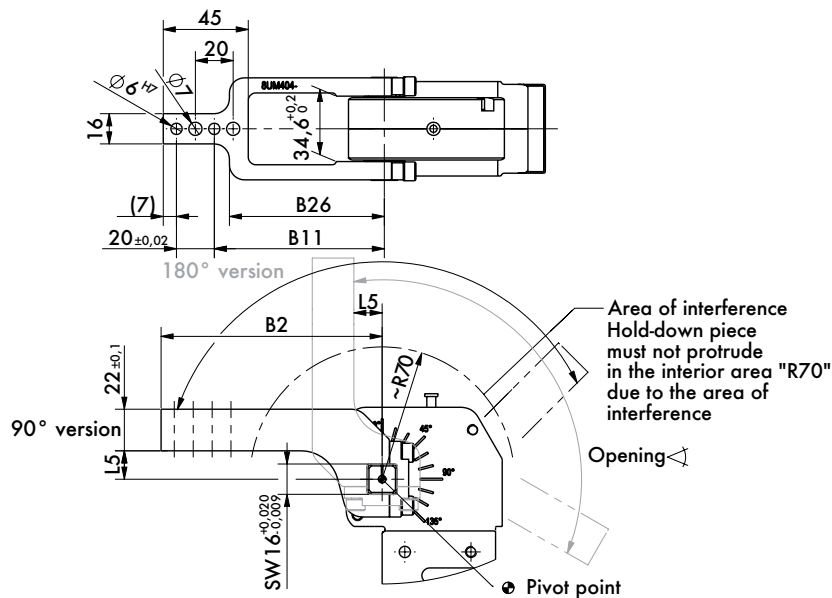
Order No.	Description
8EL-002-1	M12x1, Straight, 5-pin Connector with 5m Cable
8EL-003-1	M12x1, Angular, 4-pin Connector with 5m Cable



U-ARMS CENTER (ALUMINUM)

Pneumatic Power Clamps | Dimensions | Technical Specifications

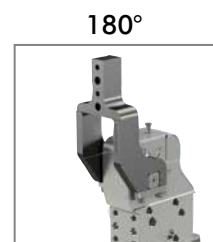
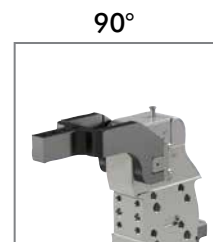
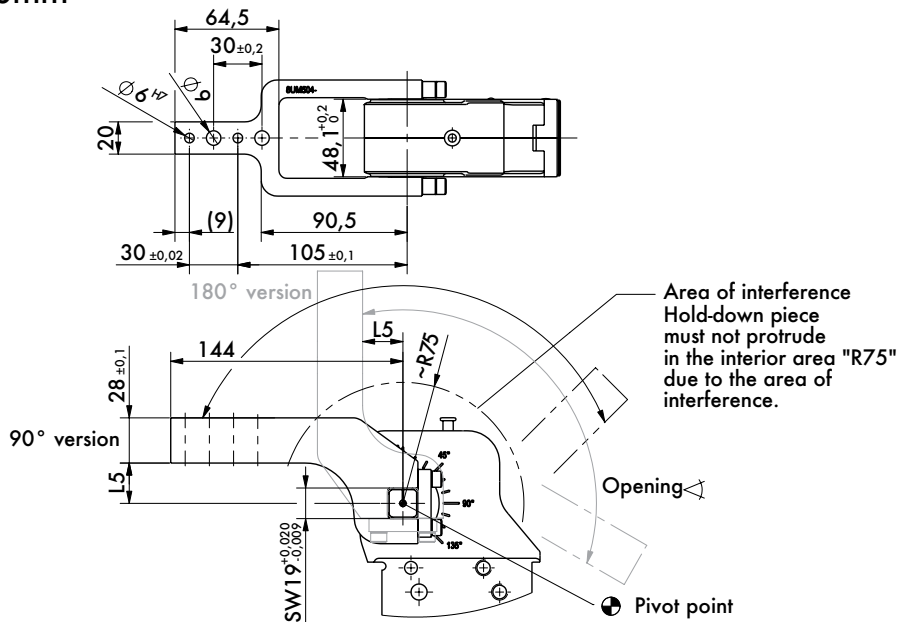
For Size 40mm



8UM404-00-117
8UM404-15-117
8UM404-25-117
8UM404-45-107

Arm Model No.	Max. Opening 90° Version	Max. Opening 180° Version	Weight (kg)	B2	B11 ±0,1	B26	L5
8UM404-00-117		105°	0,23				0
8UM404-15-117	135°	120°	0,24	117	90	82	15
8UM404-25-117			0,25				25
8UM404-45-107	130°	135°	0,24	107	80	72	45

For Size 50mm



8UM504-15-144
8UM504-25-144
8UM504-45-144

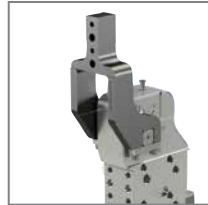
Arm Model No.	Max. Opening 90° Version	Max. Opening 180° Version	Weight (kg)	L5
8UM504-15-144		105°	0,44	15
8UM504-25-144	135°	120°	0,45	25
8UM504-45-144		135°	0,48	45

U-ARMS CENTER (ALUMINUM)

Pneumatic Power Clamps | Dimensions | Technical Specifications

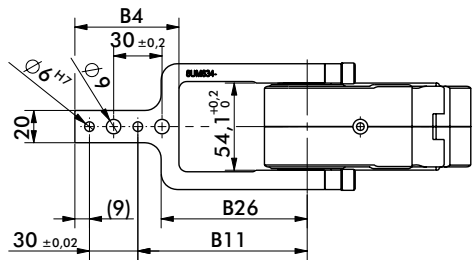


90°

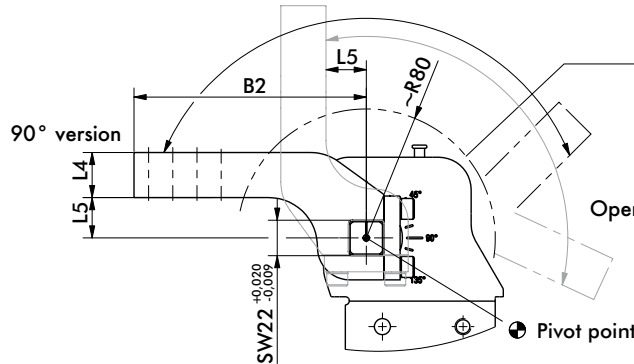


180°

8UM634-15-144
8UM634-25-144
8UM634-45-144
8UM631-75-204



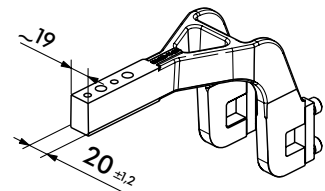
180° version



Area of interference
Hold-down piece
must not protrude in
the interior area "R80"
due to the area of
interference.

Opening

Pivot point



For Size 63mm

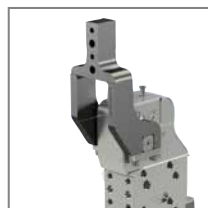
Dimensions are only for
8UM631-75-204

Arm Model No.	Max. Opening 90° Version	Max. Opening 180° Version	Weight (kg)	B2	B4	B11 ±0,1	B26	L4 ±0,1	L5
8UM634-15-144	135°	105°	0,50						15
8UM634-25-144		120°	0,53	144	64,5	105	90,5	28	25
8UM634-45-144		135°	0,56						45
8UM631-75-204*		1,7	204	82	165	107	30	75	

* only steel version available.

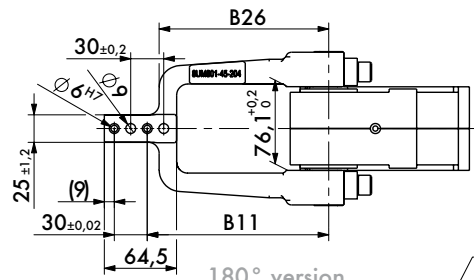


90°

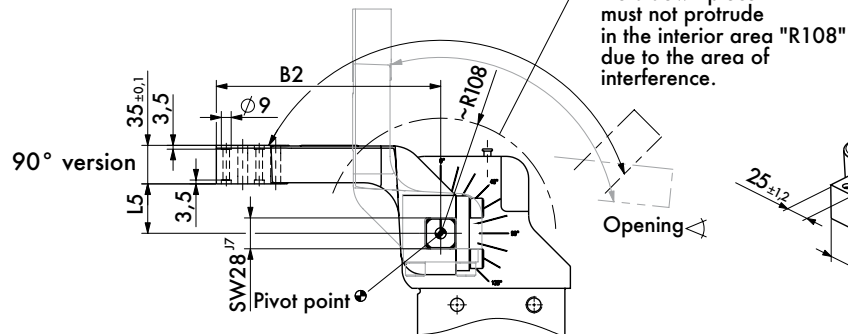


180°

8JG-169-2-01
8UM801-45-204



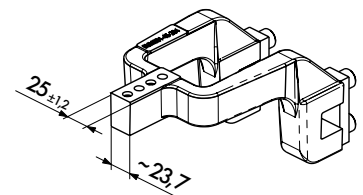
180° version



Area of interference
Hold-down piece
must not protrude
in the interior area "R108"
due to the area of
interference.

Opening

Pivot point



For Size 80mm

Arm Model No.	Max. Opening 90° Version	Max. Opening 180° Version	Weight (kg)	B2	B11 ±0,1	B26	L5** ±0,2
8JG-169-2-01	135°	105°	3,5	179	140	129	20
8UM801-45-204*		135°	4,1	204	165	154	45

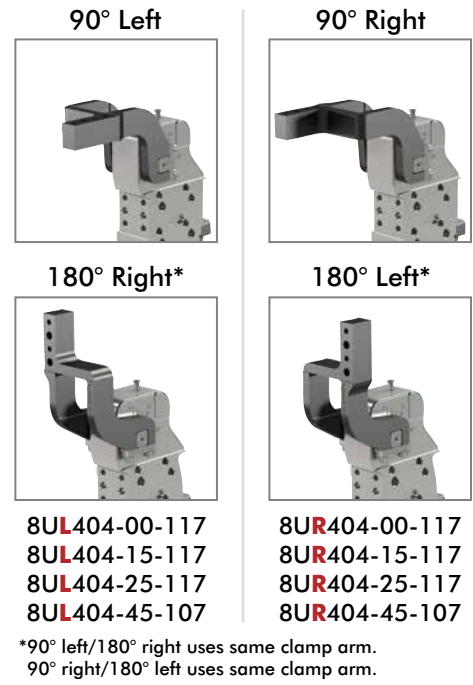
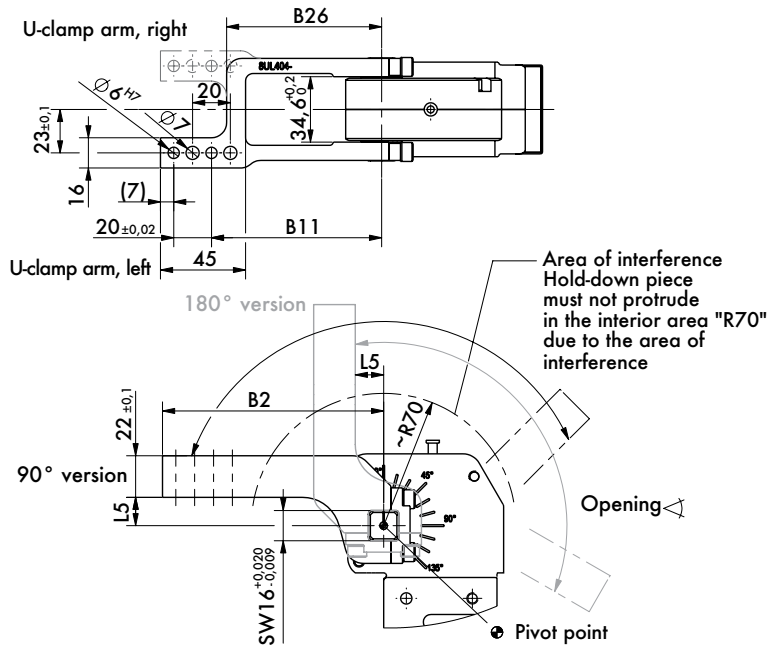
*only steel version available.

** Tolerance measured 80mm from pivot point.

U-ARMS OFFSET (ALUMINUM)

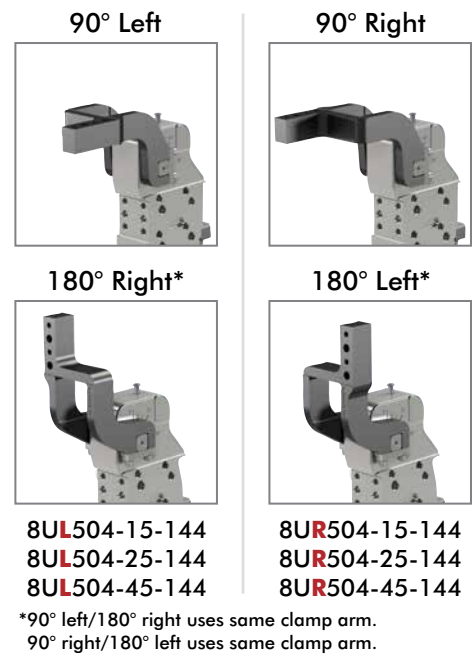
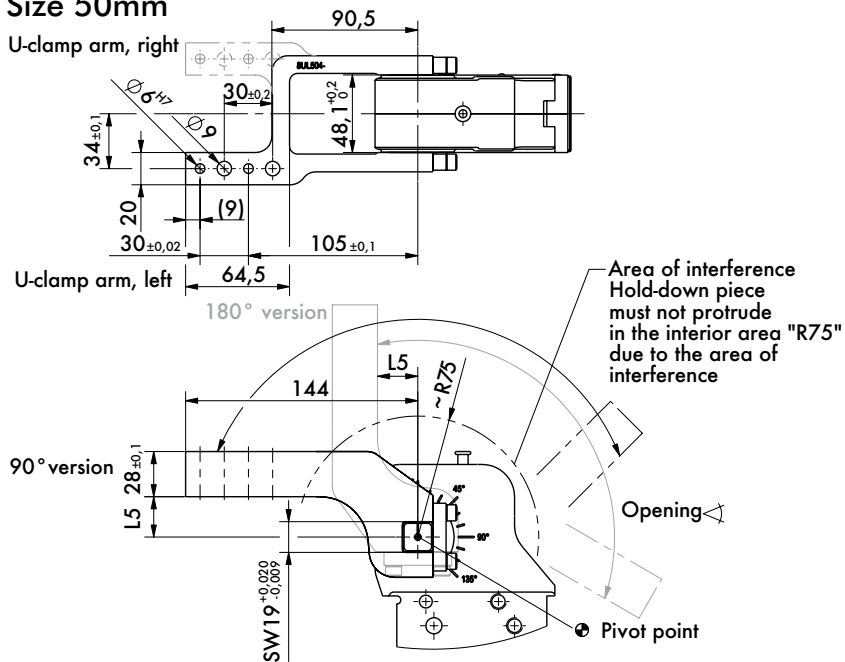
Pneumatic Power Clamps | Dimensions | Technical Specifications

For Size 40mm



Arm Model No.	Max. Opening 90° Version	Max. Opening 180° Version	Weight (kg)	B2	B11 ±0,1	B26	L5
8U(•)404-00-117		105°	0,23				0
8U(•)404-15-117	135°	120°	0,24	117	90	82	15
8U(•)404-25-117		135°	0,25				25
8U(•)404-45-107	130°		0,25	107	80	72	45

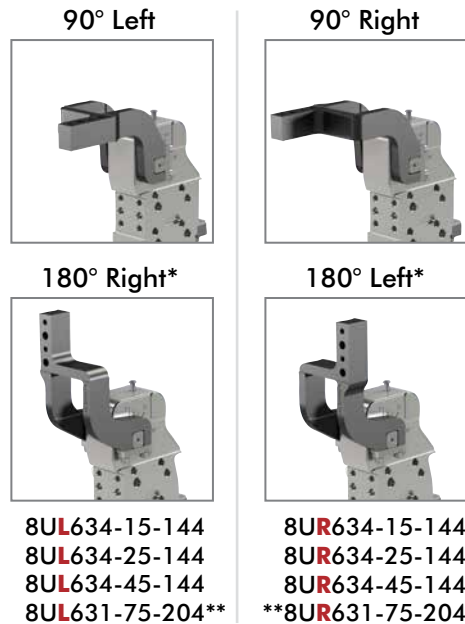
For Size 50mm



Arm Model No.	Max. Opening 90° Version	Max. Opening 180° Version	Weight (kg)	L5
8U(•)504-15-144		105°	0,45	15
8U(•)504-25-144	135°	120°	0,46	25
8U(•)504-45-144		135°	0,49	45

U-ARMS OFFSET (ALUMINUM)

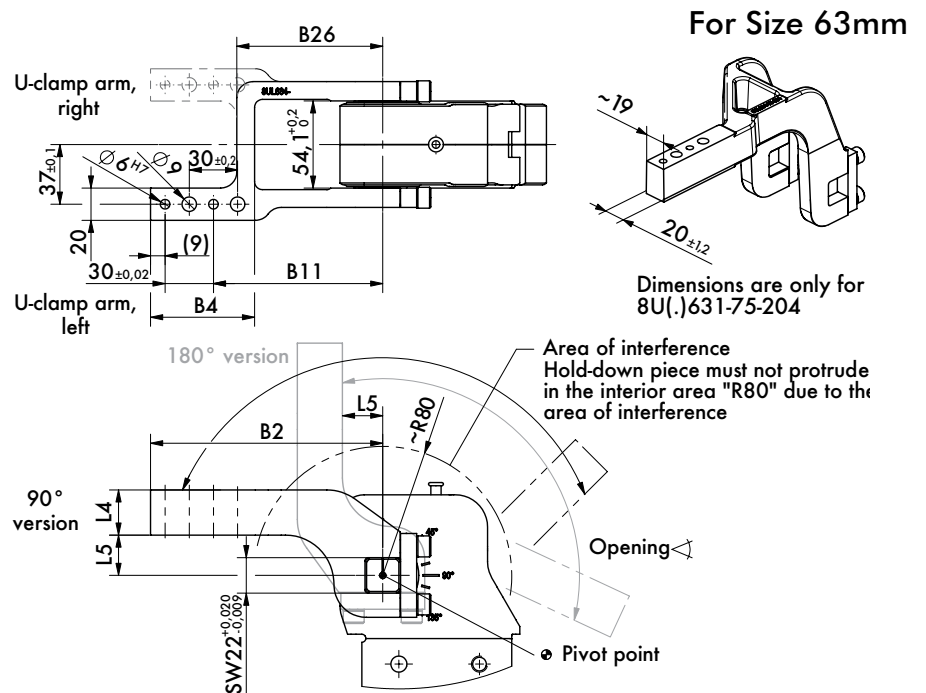
Pneumatic Power Clamps | Dimensions | Technical Specifications



8UL634-15-144
8UL634-25-144
8UL634-45-144
8UL631-75-204**

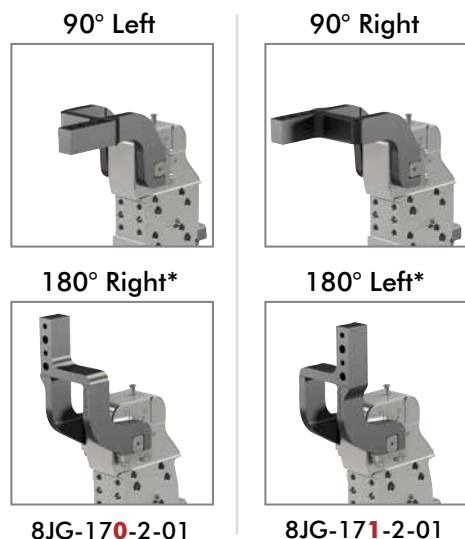
8UR634-15-144
8UR634-25-144
8UR634-45-144
**8UR631-75-204

*90° left/180° right uses same clamp arm.
90° right/180° left uses same clamp arm.



Arm Model No.	Max. Opening 90° Version	Max. Opening 180° Version	Weight (kg)	B2	B4	B11 ±0,1	B26	L4 ±0,1	L5
8U(.)634-15-144	135°	105°	0,52	144	64,5	105	90,5	28	15
8U(.)634-25-144		120°	0,54						25
8U(.)634-45-144		135°	0,58						45
8U(.)631-75-204**		135°	1,9						75

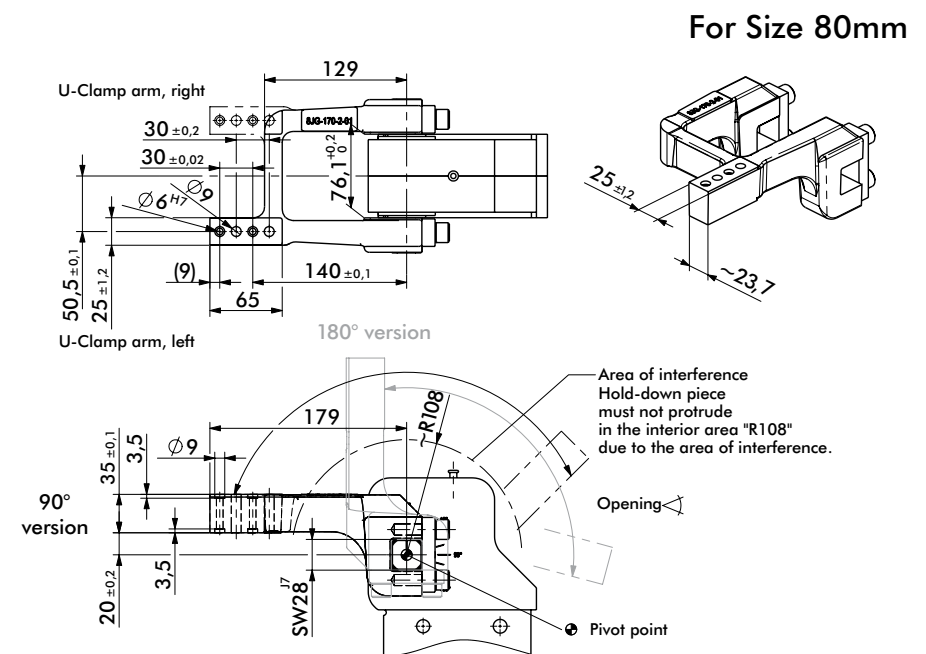
** only steel version available.



8JG-170-2-01

8JG-171-2-01

*90° left/180° right uses same clamp arm.
90° right/180° left uses same clamp arm.



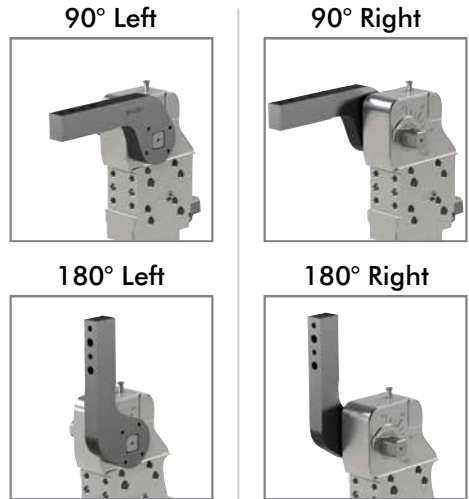
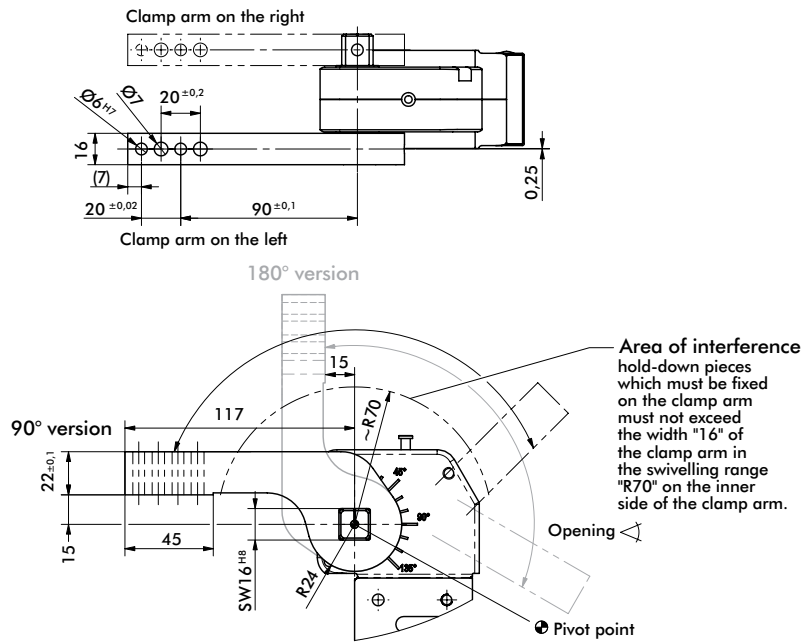
Arm Model No.	Max. Opening 90° Version	Max. Opening 180° Version	Weight (kg)
8JG-17(.)-2-01**	135°	105°	3,5

**only steel version available.

LATERAL (SIDE) ARMS

Pneumatic Power Clamps | Dimensions | Technical Specifications

For Size 40mm

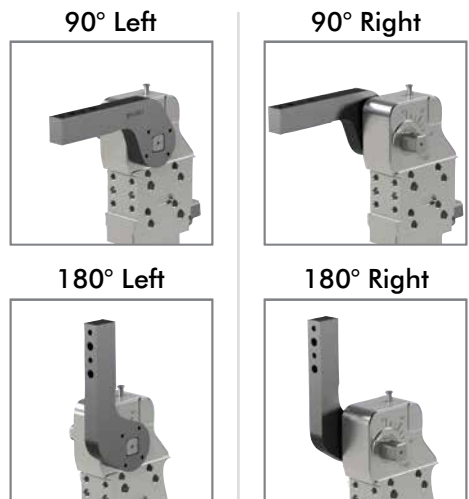
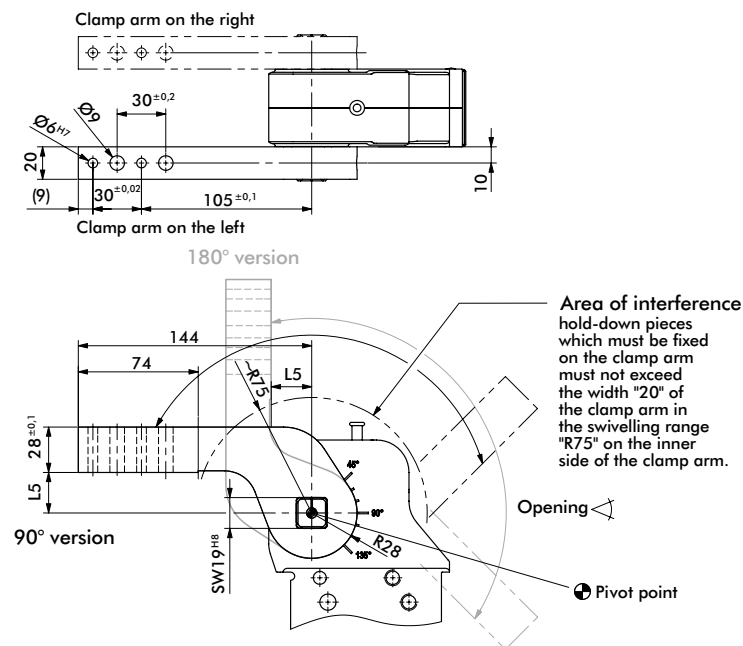


8S401-15-117

Arm Model No.	Max. Opening 90° Version	Max. Opening 180° Version	Weight (kg)
8S401-15-117	135°	120°	0,5

Models with 2 lateral clamp arms requires 2 clamp arm sets.

For Size 50mm



8JG-070-1-01
8S501-25-144

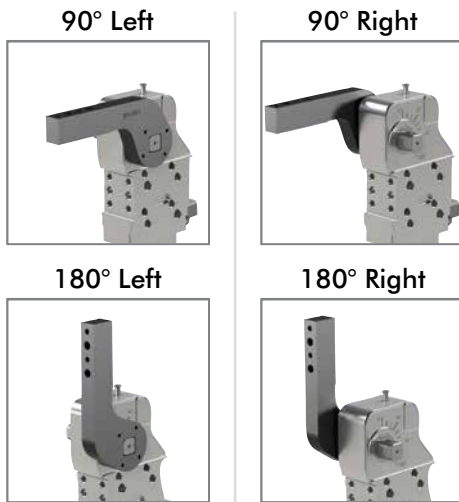
Arm Model No.	Max. Opening 90° Version	Max. Opening 180° Version	Weight (kg)	L5
8JG-070-1-01	135°	135°	0,9	15
8S501-25-144			1,0	25

Models with 2 lateral clamp arms requires 2 clamp arm sets.

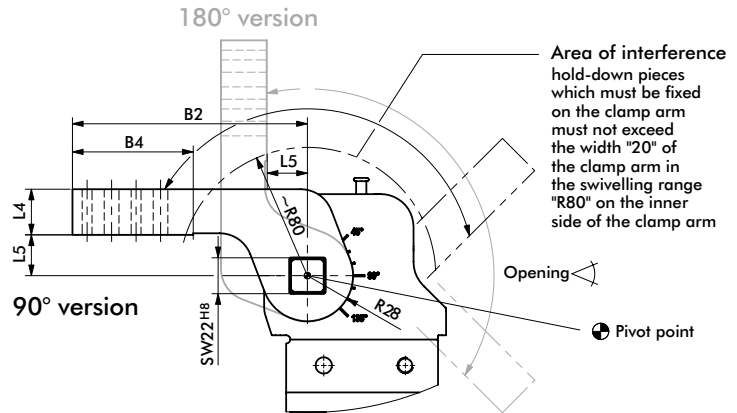
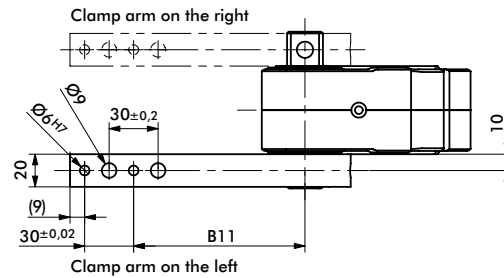
LATERAL (SIDE) ARMS

Pneumatic Power Clamps | Dimensions | Technical Specifications

For Size 63mm



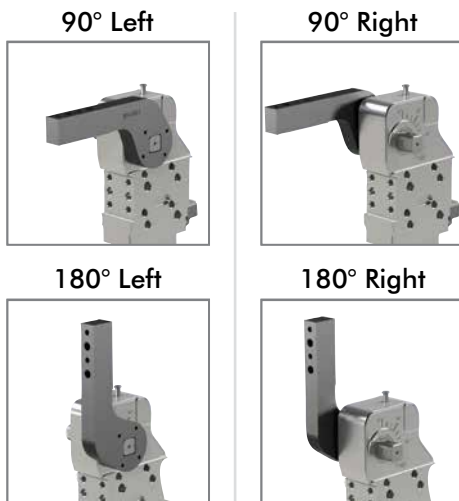
8JG-080-1-01
8S631-25-144
8S631-45-144
8S631-75-204



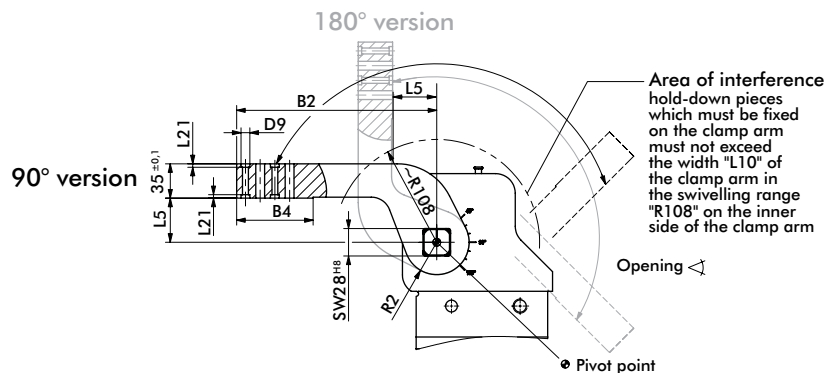
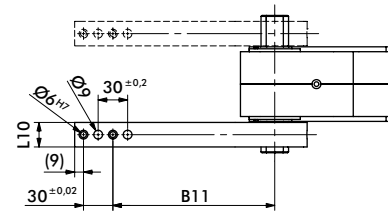
Arm Model No.	Max. Opening 90° Version	Max. Opening 180° Version	Weight (kg)	B2	B4	B11 ±0,1	L4 ±0,1	L5
8JG-080-1-01	135°	135°	0,9	144	74	105	28	15
8S631-25-144			1,0					25
8S631-45-144			1,1					45
8S631-75-204			1,5					75

Models with 2 lateral clamp arms requires 2 clamp arm sets.

For Size 80mm



8JG-1179-1-01
8S801-45-204



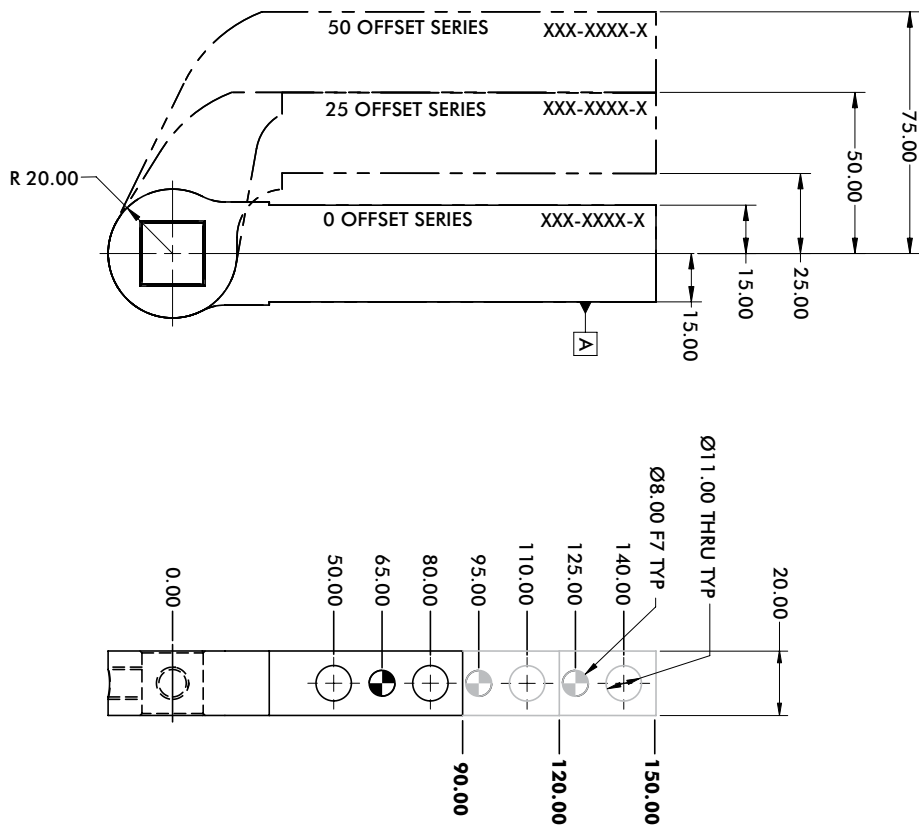
Arm Model No.	Max. Opening 90° Version	Max. Opening 180° Version	Weight (kg)	B2	B4	D9	B11 ±0,1	L5	L10	L21	R2
8JG-1179-1-01	135°	135°	2,1	179	74	-	140	20	30	-	35
8S801-45-204				204	78	9	165	45	25	3,5	33

Models with 2 lateral clamp arms requires 2 clamp arm sets.

LATERAL (SIDE) ARMS, NAAMS-STYLE

Pneumatic Power Clamps | Dimensions | Technical Specifications

For Size 50mm



9mm Thru Hole (6.00 H7 Dowel)

90mm [3.54"] Arm Length			120mm [4.72"] Arm Length			150mm [5.90"] Arm Length		
Series	Arm Style	Model	Series	Arm Style	Model	Series	Arm Style	Model
50 Offset	▲ • 3256	B8JG-3256-1	50 Offset	▲ • 3257	B8JG-3257-1	50 Offset	▲ • 3258	B8JG-3258-1
25 Offset	▲ • 3246	B8JG-3246-1	25 Offset	▲ • 3247	B8JG-3247-1	25 Offset	▲ • 3248	B8JG-3248-1
0 Offset	▲ • 3236	B8JG-3236-1	0 Offset	▲ • 3237	B8JG-3237-1	0 Offset	▲ • 3238	B8JG-3238-1

11mm Thru Hole (8.00 F7 Dowel)

90mm [3.54"] Arm Length			120mm [4.72"] Arm Length			150mm [5.90"] Arm Length		
Series	Arm Style	Model	Series	Arm Style	Model	Series	Arm Style	Model
50 Offset	▲ • 1226	B8JG-1226-1	50 Offset	▲ • 1227	B8JG-1227-1	50 Offset	▲ • 1228	B8JG-1228-1
25 Offset	▲ • 1216	B8JG-1216-1	25 Offset	▲ • 1217	B8JG-1217-1	25 Offset	▲ • 1218	B8JG-1218-1
0 Offset	▲ • 1206	B8JG-1206-1	0 Offset	▲ • 1207	B8JG-1207-1	0 Offset	▲ • 1208	B8JG-1208-1

▲ Common in North America

(•) STANDARD ARM OFFERING

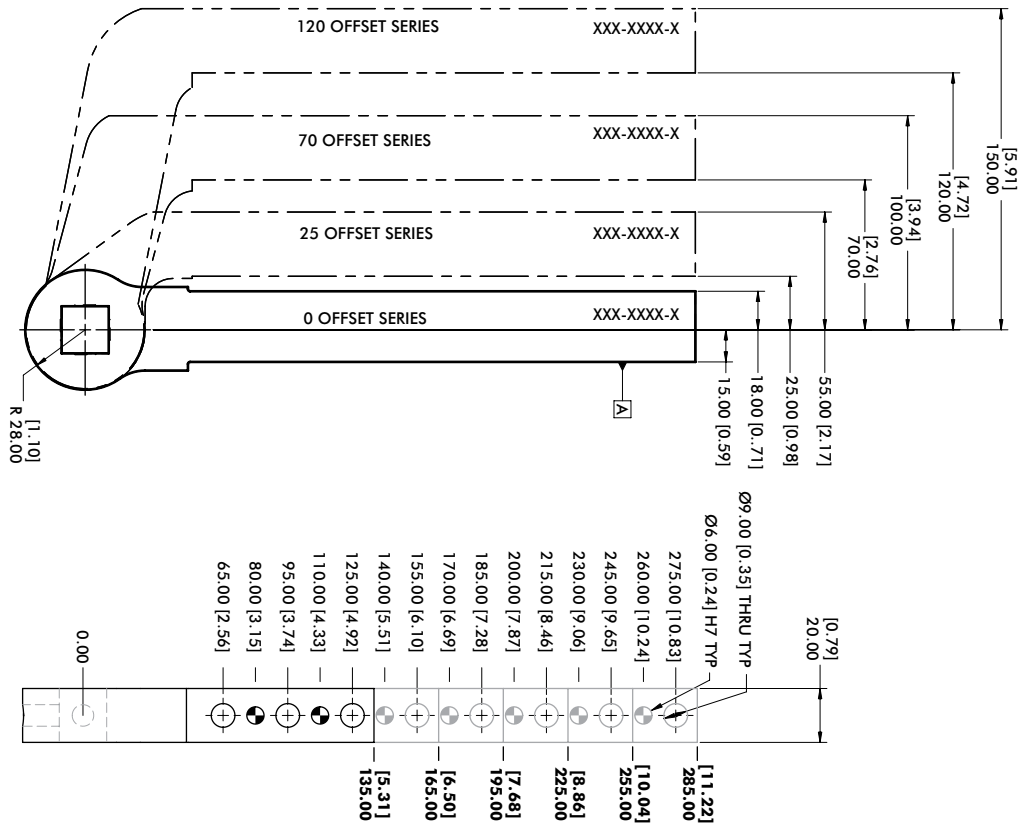
Maximum Opening Angle (shown in locked position)

Arm Styles	135°	135°	100°	100°	N/A	N/A
1206-1208/3236-3238	135°	N/A	50°	125°	N/A	30°
1216-1218/3246-3248	125°	N/A	35°	135°	N/A	50°
1226-1228/3256-3258						

LATERAL (SIDE) ARMS, NAAMS-STYLE

Pneumatic Power Clamps | Dimensions | Technical Specifications

For Size 63mm with 23 Clamp Arm Shaft Option



135mm [5.31"] Arm Length

Series	Arm Style	Model
120 Offset	▲ 1543	B8JG-1543-1
70 Offset	▲ 1531	B8JG-1531-1
25 Offset	▲ 1519	B8JG-1519-1
0 Offset	▲ 1507	B8JG-1507-1

165mm [6.50"] Arm Length

Series	Arm Style	Model
120 Offset	▲ 1544	B8JG-1544-1
70 Offset	▲ 1532	B8JG-1532-1
25 Offset	▲ 1520	B8JG-1520-1
0 Offset	▲ 1508	B8JG-1508-1

195mm [7.68"] Arm Length

Series	Arm Style	Model
120 Offset	▲ 1545	B8JG-1545-1
70 Offset	▲ 1533	B8JG-1533-1
25 Offset	▲ 1521	B8JG-1521-1
0 Offset	▲ 1509	B8JG-1509-1

225mm [8.86"] Arm Length

Series	Arm Style	Model
120 Offset	▲ 1546	B8JG-1546-1
70 Offset	▲ 1534	B8JG-1534-1
25 Offset	▲ 1522	B8JG-1522-1
0 Offset	▲ 1510	B8JG-1510-1

255mm [10.04"] Arm Length

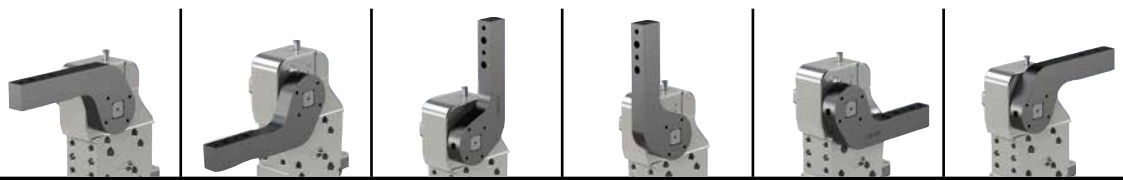
Series	Arm Style	Model
120 Offset	▲ 1547	B8JG-1547-1
70 Offset	▲ 1535	B8JG-1535-1
25 Offset	▲ 1523	B8JG-1523-1
0 Offset	▲ 1511	B8JG-1511-1

285mm [11.22"] Arm Length

Series	Arm Style	Model
120 Offset	▲ 1548	B8JG-1548-1
70 Offset	▲ 1536	B8JG-1536-1
25 Offset	▲ 1524	B8JG-1524-1
0 Offset	▲ 1512	B8JG-1512-1

▲ Common in North America

Maximum Opening Angle (shown in locked position)

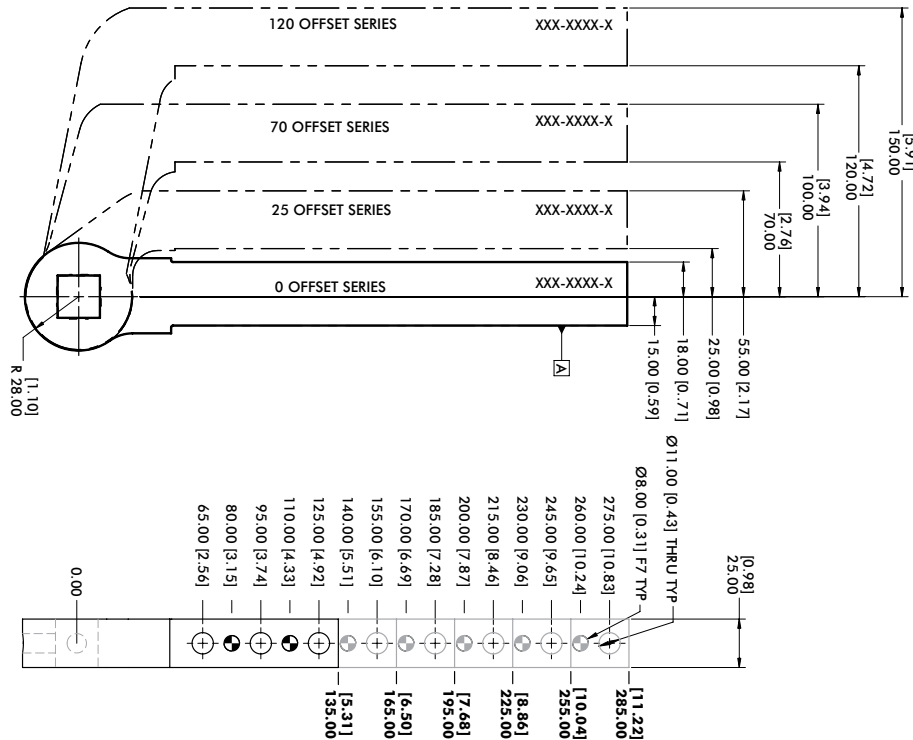


Arm Styles	1	2	3	4	5	6
1510-1512/1507-1509	135°	135°	100°	100°	N/A	N/A
1522-1524/1519-1521	135°	N/A	50°	130°	N/A	40°
1534-1536/1531-1533	115°	N/A	25°	135°	N/A	75°
1546-1548/1543-1545	110°	N/A	20°	135°	N/A	85°

LATERAL (SIDE) ARMS, NAAMS-STYLE

Pneumatic Power Clamps | Dimensions | Technical Specifications

For Size 63mm with D0 Clamp Arm Shaft Option

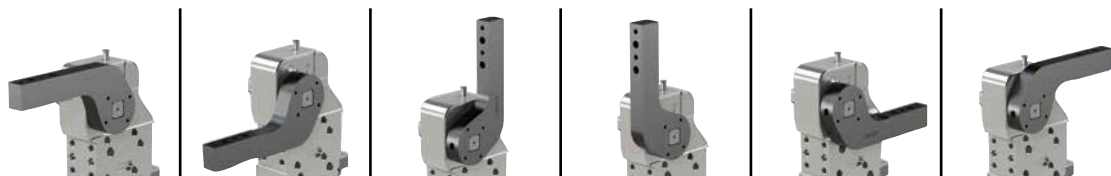


135mm [5.31"] Arm Length			165mm [6.50"] Arm Length			195mm [7.68"] Arm Length		
Series	Arm Style	Model	Series	Arm Style	Model	Series	Arm Style	Model
120 Offset	▲ • 1043	B8JG-1043-1	120 Offset	▲ ⓘ 1044	B8JG-1044-1	120 Offset	▲ ⓘ 1045	B8JG-1045-1
70 Offset	▲ • 1031	B8JG-1031-1	70 Offset	▲ • 1032	B8JG-1032-1	70 Offset	▲ • 1033	B8JG-1033-1
25 Offset	▲ • 1019	B8JG-1019-1	25 Offset	▲ • 1020	B8JG-1020-1	25 Offset	▲ ⓘ 1021	B8JG-1021-1
0 Offset	▲ • 1007	B8JG-1007-1	0 Offset	▲ • 1008	B8JG-1008-1	0 Offset	▲ • 1009	B8JG-1009-1

225mm [8.86"] Arm Length			255mm [10.04"] Arm Length			285mm [11.22"] Arm Length		
Series	Arm Style	Model	Series	Arm Style	Model	Series	Arm Style	Model
120 Offset	▲ ⓘ 1046	B8JG-1046-1	120 Offset	▲ ⓘ 1047	B8JG-1047-1	120 Offset	▲ ⓘ 1048	B8JG-1048-1
70 Offset	▲ • 1034	B8JG-1034-1	70 Offset	▲ • 1035	B8JG-1035-1	70 Offset	▲ ⓘ 1036	B8JG-1036-1
25 Offset	▲ ⓘ 1022	B8JG-1022-1	25 Offset	▲ ⓘ 1023	B8JG-1023-1	25 Offset	▲ ⓘ 1024	B8JG-1024-1
0 Offset	▲ ⓘ 1010	B8JG-1010-1	0 Offset	▲ ⓘ 1011	B8JG-1011-1	0 Offset	▲ ⓘ 1012	B8JG-1012-1

▲ Common in North America (•) STANDARD ARM OFFERING ⓘ NON-STANDARD ARM OFFERING (extended leadtimes apply)

Maximum Opening Angle (shown in locked position)

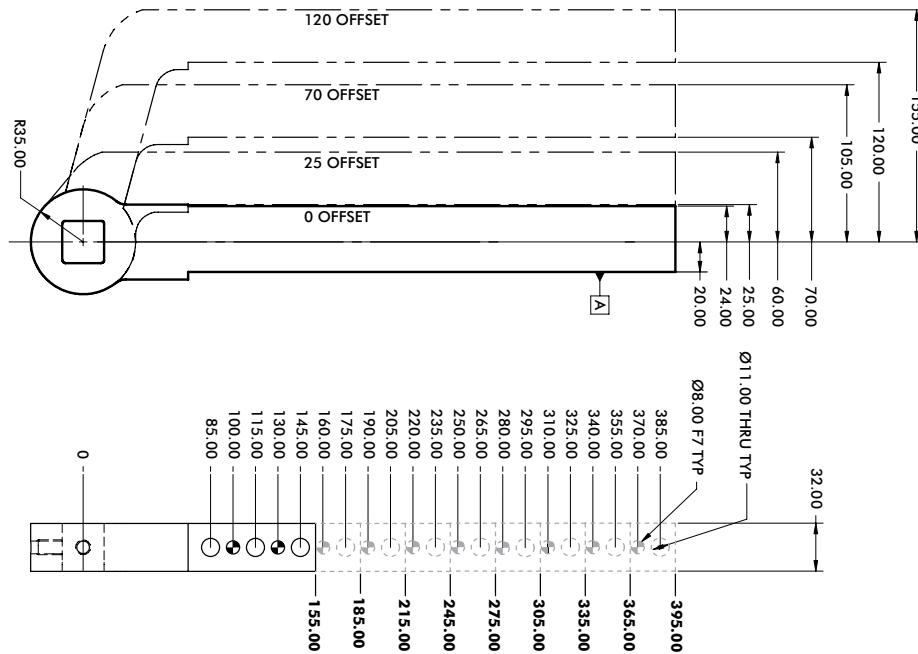


Arm Styles	1010-1012/1007-1009	1022-1024/1019-1021	1034-1036/1031-1033	1046-1048/1043-1045
1010-1012/1007-1009	135°	135°	100°	100°
1022-1024/1019-1021	135°	N/A	50°	130°
1034-1036/1031-1033	115°	N/A	25°	135°
1046-1048/1043-1045	110°	N/A	20°	135°
				N/A
				N/A
				N/A
				40°
				75°
				85°

LATERAL (SIDE) ARMS, NAAMS-STYLE

Pneumatic Power Clamps | Dimensions | Technical Specifications

For Size 80mm



155mm [4.53"] Arm Length

Series	Arm Style	Model
120 Offset	▲ ⓘ 1170	B8JG-1170-1
70 Offset	▲ • 1150	B8JG-1150-1
25 Offset	▲ ⓘ 1130	B8JG-1130-1
0 Offset	▲ ⓘ 1110	B8JG-1110-1

185mm [7.28"] Arm Length

Series	Arm Style	Model
120 Offset	▲ ⓘ 1171	B8JG-1171-1
70 Offset	▲ ⓘ 1151	B8JG-1151-1
25 Offset	▲ ⓘ 1131	B8JG-1131-1
0 Offset	▲ ⓘ 1111	B8JG-1111-1

215mm [8.46"] Arm Length

Series	Arm Style	Model
120 Offset	▲ ⓘ 1172	B8JG-1172-1
70 Offset	▲ ⓘ 1152	B8JG-1152-1
25 Offset	▲ ⓘ 1132	B8JG-1132-1
0 Offset	▲ • 1112	B8JG-1112-1

245mm [9.65"] Arm Length

Series	Arm Style	Model
120 Offset	▲ ⓘ 1173	B8JG-1173-1
70 Offset	▲ ⓘ 1153	B8JG-1153-1
25 Offset	▲ ⓘ 1133	B8JG-1133-1
0 Offset	▲ ⓘ 1113	B8JG-1113-1

275mm [10.83"] Arm Length

Series	Arm Style	Model
120 Offset	▲ ⓘ 1174	B8JG-1174-1
70 Offset	▲ ⓘ 1154	B8JG-1154-1
25 Offset	▲ • 1134	B8JG-1134-1
0 Offset	▲ ⓘ 1114	B8JG-1114-1

305mm [12.00"] Arm Length

Series	Arm Style	Model
120 Offset	▲ ⓘ 1175	B8JG-1175-1
70 Offset	▲ • 1155	B8JG-1155-1
25 Offset	▲ ⓘ 1135	B8JG-1135-1
0 Offset	▲ ⓘ 1115	B8JG-1115-1

335mm [13.19"] Arm Length

Series	Arm Style	Model
120 Offset	▲ ⓘ 1176	B8JG-1176-1
70 Offset	▲ ⓘ 1156	B8JG-1156-1
25 Offset	▲ ⓘ 1136	B8JG-1136-1
0 Offset	▲ ⓘ 1116	B8JG-1116-1

365mm [14.37"] Arm Length

Series	Arm Style	Model
120 Offset	▲ ⓘ 1177	B8JG-1177-1
70 Offset	▲ ⓘ 1157	B8JG-1157-1
25 Offset	▲ ⓘ 1137	B8JG-1137-1
0 Offset	▲ ⓘ 1117	B8JG-1117-1

395mm [15.55"] Arm Length

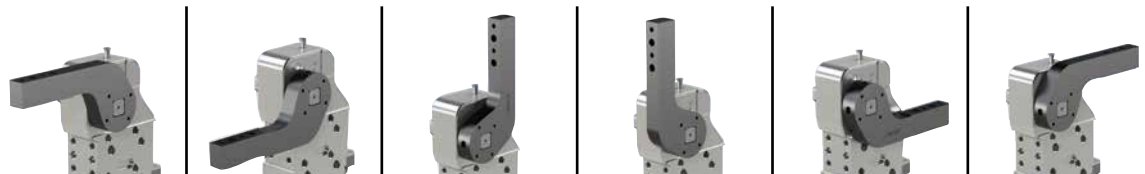
Series	Arm Style	Model
120 Offset	▲ ⓘ 1178	B8JG-1178-1
70 Offset	▲ • 1158	B8JG-1158-1
25 Offset	▲ ⓘ 1138	B8JG-1138-1
0 Offset	▲ • 1118	B8JG-1118-1

▲ Common in North America

(•) STANDARD ARM OFFERING

ⓘ NON-STANDARD ARM OFFERING (extended leadtimes apply)

Maximum Opening Angle (shown in locked position)



Arm Styles	1110 - 1118	1130 - 1138	1150 - 1158	1170 - 1178
135°	135°	N/A	N/A	N/A
125°	N/A	N/A	55°	80°
115°	N/A	N/A	N/A	N/A
100°	100°	60°	120°	N/A
70°	70°	35°	135°	N/A
25°	25°	25°	135°	N/A