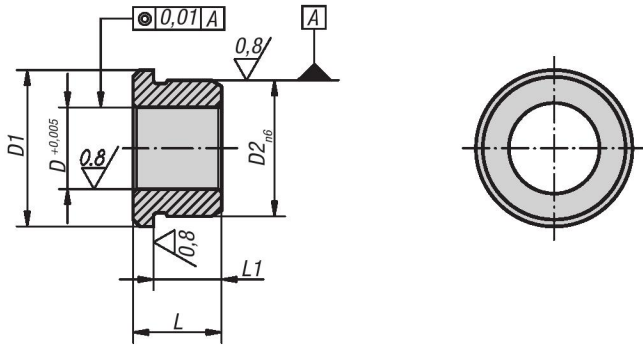


# Cylindrical Bushings

METRIC  
Parts



**Material:**

Steel.

**Type:**

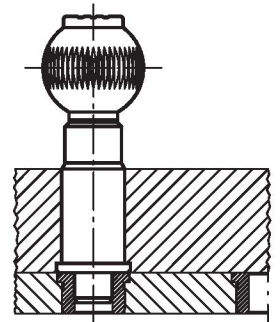
Hardened and ground

**Part Number Example:**

K0362.10

**Note:**

Bushings for Precision Indexing Plungers K0361.



**KIPP Cylindrical Bushings, metric**

Item No.	D	D1	D2	L	L1
K0362.10	10	19	16	11	8,5
K0362.12	12	23	20	13	10
K0362.16	16	28	25	17	14
K0362.20	20	33	30	16	13
K0362.25	25	42	38	19	16