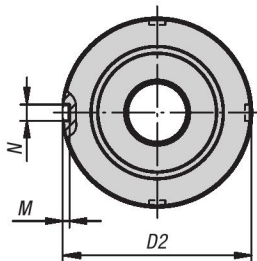
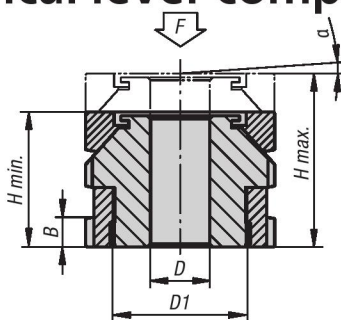


Spherical level-compensating bolts

METRIC
Parts



KIPP Spherical level-compensating bolts, metric

Item No.	Material	D	for screw	D1	D2	H min.	H max.	B	N	M	α	F kN
K0695.0406	steel	6,6	M6	M15x1	25	22	26	5	4	2	4°	40
K0695.0506	steel	6,6	M6	M20x1	32	26	31	6	4	2	4°	65
K0695.0508	steel	9	M8	M20x1	32	26	31	6	4	2	4°	65
K0695.0510	steel	11	M10	M20x1	32	26	31	6	4	2	4°	65
K0695.0710	steel	11	M10	M30x1,5	45	34	41	7	5	2	4°	120
K0695.0712	steel	13,5	M12	M30x1,5	45	34	41	7	5	2	4°	120
K0695.0716	steel	17,5	M16	M30x1,5	45	34	41	7	5	2	4°	120
K0695.0916	steel	17,5	M16	M40x1,5	58	44	53	9	6	2,5	4°	210
K0695.0920	steel	22	M20	M40x1,5	58	44	53	9	6	2,5	4°	210
K0695.0924	steel	26	M24	M40x1,5	58	44	53	9	6	2,5	4°	210
K0695.1020	steel	22	M20	M50x1,5	70	50	60	11	6	2,5	4°	330
K0695.1024	steel	26	M24	M50x1,5	70	50	60	11	6	2,5	4°	330
K0695.1030	steel	33	M30	M50x1,5	70	50	60	11	6	2,5	4°	330
K0695.1224	steel	26	M24	M60x2	80	56	68	11	7	3	4°	495
K0695.1230	steel	33	M30	M60x2	80	56	68	11	7	3	4°	495
K0695.04061	stainless steel	6,6	M6	M15x1	25	22	26	5	4	2	4°	27,1
K0695.05061	stainless steel	6,6	M6	M20x1	32	26	31	6	4	2	4°	43,4
K0695.05081	stainless steel	9	M8	M20x1	32	26	31	6	4	2	4°	43,4
K0695.05101	stainless steel	11	M10	M20x1	32	26	31	6	4	2	4°	43,4
K0695.07101	stainless steel	11	M10	M30x1,5	45	34	41	7	5	2	4°	84
K0695.07121	stainless steel	13,5	M12	M30x1,5	45	34	41	7	5	2	4°	84
K0695.07161	stainless steel	17,5	M16	M30x1,5	45	34	41	7	5	2	4°	84
K0695.09161	stainless steel	17,5	M16	M40x1,5	58	44	53	9	6	2,5	4°	148
K0695.09201	stainless steel	22	M20	M40x1,5	58	44	53	9	6	2,5	4°	148
K0695.09241	stainless steel	26	M24	M40x1,5	58	44	53	9	6	2,5	4°	148
K0695.10201	stainless steel	22	M20	M50x1,5	70	50	60	11	6	2,5	4°	225
K0695.10241	stainless steel	26	M24	M50x1,5	70	50	60	11	6	2,5	4°	225
K0695.10301	stainless steel	33	M30	M50x1,5	70	50	60	11	6	2,5	4°	225
K0695.12241	stainless steel	26	M24	M60x2	80	56	68	11	7	3	4°	323
K0695.12301	stainless steel	33	M30	M60x2	80	56	68	11	7	3	4°	323



Material:

Steel 1.7225;
stainless steel 1.4305

Type:

Steel zinc plated, blue chromate;
stainless steel natural finish

Part Number Example:

K0695.0406

Note:

The spherical level-compensating bolt is used when dealing with the positioning and alignment of motors, motor units, drive elements and production lines. Exact positioning in the assembly of sloped baseplates up to a 4° angle of inclination can be achieved with the spherical level-compensating bolt.