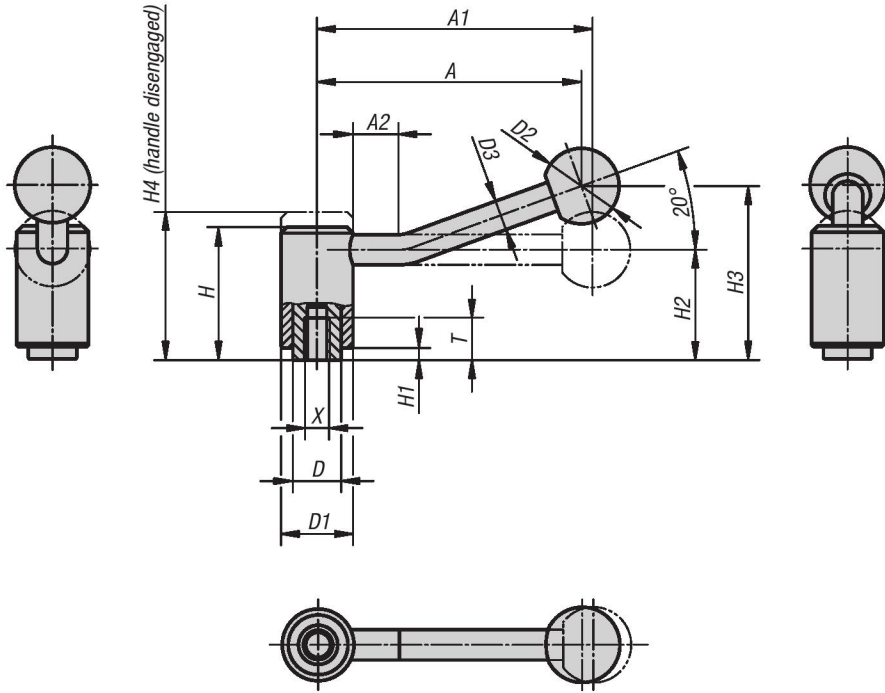




Adjustable Tension Levers

internal thread

INCH Parts
METRIC Parts



Material:
Steel parts quality class 5.8.
Ball knob black plastic, press fit.

Type:
Powder-coated with fine texture, black

Part Number Example:
K0108.1A32

On request:
Other internal threads and special versions.
Dimension "H1", "A" and "A1" available in other lengths at an additional charge.



KIPP Adjustable Tension Levers, with internal thread, inch

Item No. 0 degree	Item No. 20 degrees	Size	X	T	D	D1	D2	D3	H	H1	H2	H3	H4	A	A1	A2	No. of teeth
K0108.1A32	K0108.1A31	1	5/16-18	14	16	24	25	10	44.5	4.5	37	-/58.5	49.5	-/88	92/-	-/15	22
K0108.1A42	K0108.1A41	1	3/8-16	14	16	24	25	10	44.5	4.5	37	-/58.5	49.5	-/88	92/-	-/15	22
K0108.2A42	K0108.2A41	2	3/8-16	17	19	28	32	12	51.5	5.5	42	-/68.5	57.5	-/106	111/-	-/15	24
K0108.2A52	K0108.2A51	2	1/2-13	17	19	28	32	12	51.5	5.5	42	-/68.5	57.5	-/106	111/-	-/15	24
K0108.3A52	K0108.3A51	3	1/2-13	23	23	33	32	13	58	6	47	-/81	65	-/128.5	134.5/-	-/15	26
K0108.3A62	K0108.3A61	3	5/8-11	23	23	33	32	13	58	6	47	-/81	65	-/128.5	134.5/-	-/15	26
K0108.4A62	K0108.4A61	4	5/8-11	27	30	41	32	13	68.5	7.5	56.5	-/89.5	76.5	-/128.5	134/-	-/15	36
K0108.4A72	K0108.4A71	4	3/4-10	27	30	41	32	13	68.5	7.5	56.5	-/89.5	76.5	-/128.5	134/-	-/15	36

KIPP Adjustable Tension Levers, with internal thread, metric

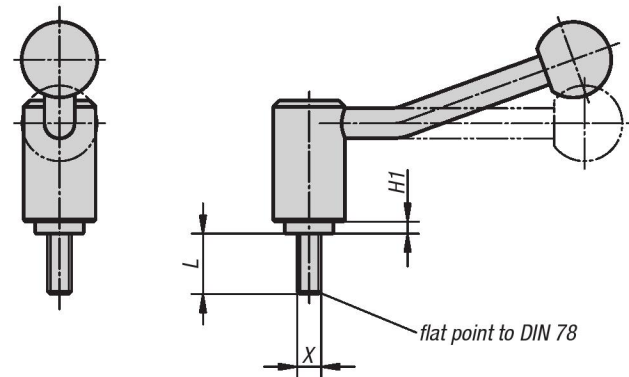
Item No. 0 degree	Item No. 20 degrees	Size	X	T	D	D1	D2	D3	H	H1	H2	H3	H4	A	A1	A2	No. of teeth
K0108.1082	K0108.1081	1	M8	14	16	24	25	10	44,5	4,5	37	-/58,5	49,5	-/88	92/-	-/15	22
K0108.1102	K0108.1101	1	M10	14	16	24	25	10	44,5	4,5	37	-/58,5	49,5	-/88	92/-	-/15	22
K0108.2102	K0108.2101	2	M10	17	19	28	32	12	51,5	5,5	42	-/68,5	57,5	-/106	111/-	-/15	24
K0108.2122	K0108.2121	2	M12	17	19	28	32	12	51,5	5,5	42	-/68,5	57,5	-/106	111/-	-/15	24
K0108.3122	K0108.3121	3	M12	23	23	33	32	13	58	6	47	-/81	65	-/128,5	134,5/-	-/15	26
K0108.3162	K0108.3161	3	M16	23	23	33	32	13	58	6	47	-/81	65	-/128,5	134,5/-	-/15	26
K0108.4162	K0108.4161	4	M16	27	30	41	32	13	68,5	7,5	56,5	-/89,5	76,5	-/128,5	134/-	-/15	36
K0108.4202	K0108.4201	4	M20	27	30	41	32	13	68,5	7,5	56,5	-/89,5	76,5	-/128,5	134/-	-/15	36
K0108.4242	K0108.4241	4	M24	27	30	41	32	13	68,5	7,5	56,5	-/89,5	76,5	-/128,5	134/-	-/15	36



Adjustable Tension Levers

external thread

INCH Parts METRIC Parts



Material:
Steel parts quality class 5.8.
Ball knob black plastic, press fit.

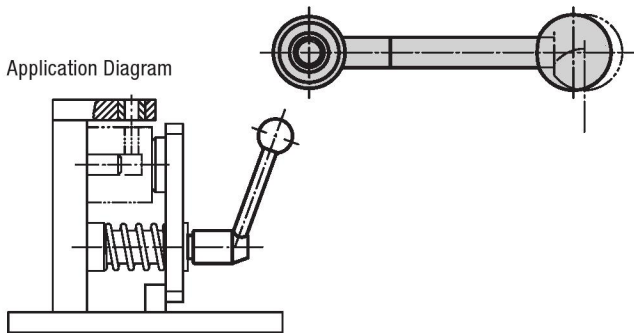
Type:
Powder-coated with fine texture, black

Part Number Example:
K0108.1A32X20
(include length L)

Note:
Missing dimensions see Tension Levers with internal thread.

On request:
Other internal threads and special versions.
Dimension "H1", "A" and "A1" available in other lengths at an additional charge.

Application Diagram



KIPP Adjustable Tension Levers, with external thread, inch

Item No. 0 degree	Item No. 20 degrees	Size	X	H1	L
K0108.1A32X	K0108.1A31X	1	5/16-18	4.5	20/25/30/40/50/60
K0108.1A42X	K0108.1A41X	1	3/8-16	4.5	20/25/30/40/50/60
K0108.1A52X	K0108.1A51X	1	1/2-13	4.5	20/25/30/40/50/60
K0108.2A52X	K0108.2A51X	2	1/2-13	5.5	20/25/30/40/50/60
K0108.3A52X	K0108.3A51X	3	1/2-13	6	20/25/30/40/50/60
K0108.3A62X	K0108.3A61X	3	5/8-11	6	20/25/30/40/50/60
K0108.4A62X	K0108.4A61X	4	5/8-11	7.5	30/40/50/60
K0108.4A72X	K0108.4A71X	4	3/4-10	7.5	30/40/50/60

KIPP Adjustable Tension Levers, with external thread, metric

Item No. 0 degree	Item No. 20 degrees	Size	X	H1	L
K0108.1082X	K0108.1081X	1	M8	4,5	15/20/25/30/40/50/60
K0108.1102X	K0108.1101X	1	M10	4,5	15/20/25/30/40/50/60
K0108.1122X	K0108.1121X	1	M12	4,5	15/20/25/30/40/50/60
K0108.2122X	K0108.2121X	2	M12	5,5	20/25/30/40/50/60
K0108.3122X	K0108.3121X	3	M12	6	20/25/30/40/50/60/70/80/90
K0108.3162X	K0108.3161X	3	M16	6	20/25/30/40/50/60/70/80/90
K0108.4162X	K0108.4161X	4	M16	7,5	30/40/50/60/70/80/90
K0108.4202X	K0108.4201X	4	M20	7,5	30/40/50/60/70/80/90
K0108.4242X	K0108.4241X	4	M24	7,5	30/40/50/60/70/80/90