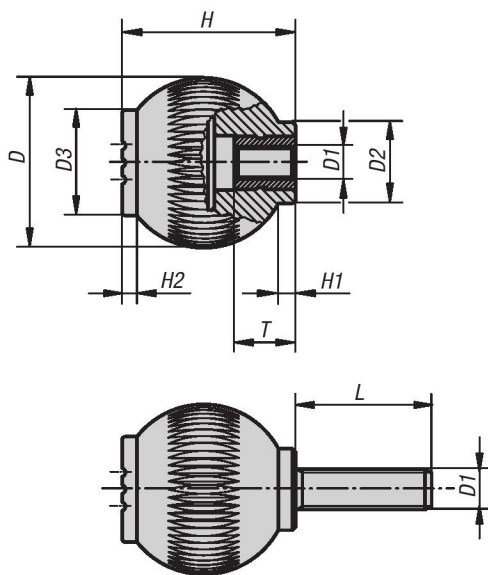


Ball Grips

INCH
PartsMETRIC
Parts

A perfectly ergonomic product for “three-dimensional” gripping: The “third dimension” developed from the advanced engineering design of “Belt Fluting” creating exceptional ergonomic gripping.

Material:

Handle black gray thermoplastic;
bushing and threaded bolt steel 5.8
or stainless steel, 1.4305 natural finish

Type:

Steel blue chromate or
stainless steel natural finish.

Part Number Example:

K0253.1A26X20
(cap color traffic red; include dimension L)

Note:

Δ Add the desired grip cap color here; no color code is required with black gray grip caps



Ball Grips



KIPP Ball Grips, internal thread, inch

Item No. bushing steel	Item No. bushing stainless steel	Size	D	D1	D2	D3	H	H1	H2	T
K0253.1A2Δ	K0253.01A2Δ	1	25	1/4-20	12	17	25	2.5	2.2	10
K0253.2A3Δ	K0253.02A3Δ	2	32	5/16-18	15.5	19	33	3.2	2.8	14
K0253.3A4Δ	K0253.03A4Δ	3	40	3/8-16	19	23	41.5	4	3.5	14
K0253.4A4Δ	K0253.04A4Δ	4	50	3/8-16	24	31	51	5	4.4	14
K0253.4A5Δ	K0253.04A5Δ	4	50	1/2-13	24	31	51	5	4.4	18

KIPP Ball Grips, external thread, inch

Item No. bolt steel	Item No. bolt stainless steel	Size	D	D1	D2	D3	H	H1	H2	L
K0253.1A2ΔX	K0253.01A2ΔX	1	25	1/4-20	12	17	25	2.5	2.2	20/30
K0253.2A3ΔX	K0253.02A3ΔX	2	32	5/16-18	15.5	19	33	3.2	2.8	20/40
K0253.3A4ΔX	K0253.03A4ΔX	3	40	3/8-16	19	23	41.5	4	3.5	20/40
K0253.4A4ΔX	K0253.04A4ΔX	4	50	3/8-16	24	31	51	5	4.4	20/40
K0253.4A5ΔX	-	4	50	1/2-13	24	31	51	5	4.4	30/60

KIPP Ball Grips, internal thread, metric

Item No. bushing steel	Item No. bushing stainless steel	Size	D	D1	D2	D3	H	H1	H2	T
K0253.106Δ	K0253.0106Δ	1	25	M6	12	17	25	2,5	2,2	10
K0253.208Δ	K0253.0208Δ	2	32	M8	15,5	19	33	3,2	2,8	14
K0253.310Δ	K0253.0310Δ	3	40	M10	19	23	41,5	4	3,5	14
K0253.410Δ	K0253.0410Δ	4	50	M10	24	31	51	5	4,4	14
K0253.412Δ	K0253.0412Δ	4	50	M12	24	31	51	5	4,4	18

KIPP Ball Grips, external thread, metric

Item No. bolt steel	Item No. bolt stainless steel	Size	D	D1	D2	D3	H	H1	H2	L
K0253.106ΔX	K0253.0106ΔX	1	25	M6	12	17	25	2,5	2,2	15/20/25/30
K0253.208ΔX	K0253.0208ΔX	2	32	M8	15,5	19	33	3,2	2,8	20/25/30/40
K0253.310ΔX	K0253.0310ΔX	3	40	M10	19	23	41,5	4	3,5	20/30/40
K0253.410ΔX	K0253.0410ΔX	4	50	M10	24	31	51	5	4,4	20/30/40
K0253.412ΔX	K0253.0412ΔX	4	50	M12	24	31	51	5	4,4	20/30/40