



# Spring Plungers

LONG-LOK, ball style, slotted, stainless steel



INCH  
Parts

METRIC  
Parts



**Material:**

Body 1.4305;  
ball 1.4034;  
spring 1.4310

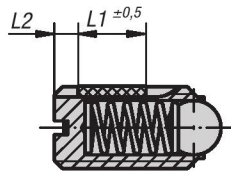
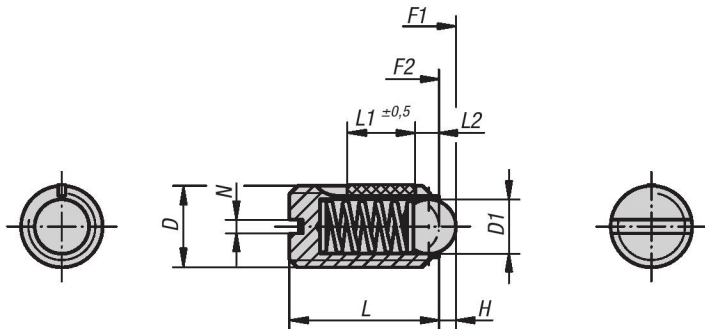
LONG-LOK thread system in nylon

**Type:**

Natural finish. Ball hardened.

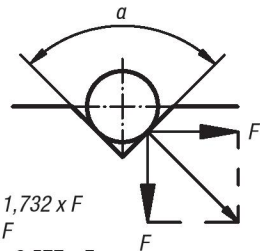
**Part Number Example:**

K0322.AD



applies to models with  
D = M3, M4, M5 and M6  
6-32, 8-36, 8-32, 10-32,  
1/4-28, 1/4-20

L2 = approx. 2x thread pitch



$$a = 60^\circ, F' = 1,732 \times F$$

$$a = 90^\circ, F' = F$$

$$a = 120^\circ, F' = 0,577 \times F$$

## KIPP Spring Plungers, LONG-LOK, ball style, slotted, stainless steel, standard end pressure, inch

| Item No. | D       | D1  | L  | L1 | H   | N   | Spring force<br>initial pressure<br>F1 approx. N | Spring force<br>final pressure<br>F2 approx. N | Tightening<br>torque<br>approx. Nm | Loosening torque,<br>after third unscrewing<br>approx. Nm |
|----------|---------|-----|----|----|-----|-----|--|--|------------------------------------|---|
| K0322.AD | 6-32    | 1.5 | 7  | 4  | 0.4 | 0.4 | 1.5  | 3  | 0.10                               | 0.07  |
| K0322.AG | 8-36    | 2.5 | 9  | 5  | 0.8 | 0.6 | 4  | 10   | 0.18                               | 0.12  |
| K0322.AE | 8-32    | 2.5 | 9  | 5  | 0.8 | 0.6 | 4  | 10   | 0.18                               | 0.12  |
| K0322.A1 | 10-32   | 3   | 12 | 6  | 0.9 | 0.8 | 6  | 11   | 0.12                               | 0.08  |
| K0322.AJ | 1/4-28  | 3.5 | 14 | 7  | 1   | 1   | 9  | 13   | 0.43                               | 0.21  |
| K0322.A2 | 1/4-20  | 3.5 | 14 | 7  | 1   | 1   | 9  | 13   | 0.43                               | 0.21  |
| K0322.A3 | 5/16-18 | 5   | 16 | 8  | 1.5 | 1.2 | 15   | 30   | 1.09                               | 0.37  |
| K0322.A4 | 3/8-16  | 6   | 19 | 9  | 2   | 1.6 | 20   | 35   | 1.36                               | 0.62  |
| K0322.A5 | 1/2-13  | 8   | 22 | 10 | 2.5 | 2   | 30   | 55   | 2.03                               | 1.36  |
| K0322.A6 | 5/8-11  | 10  | 24 | 14 | 3.5 | 2.5 | 65   | 125  | 3.95                               | 2.95  |



# Spring Plungers

LONG-LOK, ball style, slotted, stainless steel

## KIPP Spring Plungers, LONG-LOK, ball style, slotted, stainless steel, heavy end pressure, inch

| Item No.  | D       | D1  | L  | L1 | H   | N   | Spring force<br>initial pressure<br>F1 approx. N | Spring force<br>final pressure<br>F2 approx. N | Tightening<br>torque<br>approx. Nm | Loosening torque,<br>after third unscrewing<br>approx. Nm |
|-----------|---------|-----|----|----|-----|-----|--|--|------------------------------------|---|
| K0322.2A1 | 10-32   | 3   | 12 | 6  | 0.9 | 0.8 | 19   | 30   | 0.12                               | 0.08  |
| K0322.2AJ | 1/4-28  | 3.5 | 14 | 7  | 1   | 1   | 28   | 40   | 0.43                               | 0.21  |
| K0322.2A2 | 1/4-20  | 3.5 | 14 | 7  | 1   | 1   | 28   | 40   | 0.43                               | 0.21  |
| K0322.2A3 | 5/16-18 | 5   | 16 | 8  | 1.5 | 1.2 | 47   | 73   | 1.09                               | 0.37  |
| K0322.2A4 | 3/8-16  | 6   | 19 | 9  | 2   | 1.6 | 66   | 100  | 1.36                               | 0.62  |
| K0322.2A5 | 1/2-13  | 8   | 22 | 10 | 2.5 | 2   | 66   | 120  | 2.03                               | 1.36  |
| K0322.2A6 | 5/8-11  | 10  | 24 | 14 | 3.5 | 2.5 | 90   | 180  | 3.95                               | 2.95  |

## KIPP Spring Plungers, LONG-LOK, ball style, slotted, stainless steel, standard end pressure, metric

| Item No. | D   | D1  | L  | L1 | H   | N   | Spring force<br>initial pressure<br>F1 approx. N | Spring force<br>final pressure<br>F2 approx. N | Tightening<br>torque<br>approx. Nm | Loosening torque,<br>after third unscrewing<br>approx. Nm |
|----------|-----|-----|----|----|-----|-----|--|--|------------------------------------|---|
| K0322.03 | M3  | 1,5 | 7  | 4  | 0,4 | 0,4 | 1,5  | 3  | 0,10                               | 0,07  |
| K0322.04 | M4  | 2,5 | 9  | 5  | 0,8 | 0,6 | 4  | 10   | 0,18                               | 0,12  |
| K0322.05 | M5  | 3   | 12 | 6  | 0,9 | 0,8 | 6  | 11   | 0,12                               | 0,08  |
| K0322.06 | M6  | 3,5 | 14 | 7  | 1   | 1   | 9  | 13   | 0,43                               | 0,21  |
| K0322.08 | M8  | 5   | 16 | 8  | 1,5 | 1,2 | 15   | 30   | 1,09                               | 0,37  |
| K0322.10 | M10 | 6   | 19 | 9  | 2   | 1,6 | 20   | 35   | 1,36                               | 0,62  |
| K0322.12 | M12 | 8   | 22 | 10 | 2,5 | 2   | 30   | 55   | 2,03                               | 1,36  |
| K0322.16 | M16 | 10  | 24 | 14 | 3,5 | 2,5 | 65   | 125  | 3,95                               | 2,95  |

## KIPP Spring Plungers, LONG-LOK, ball style, slotted, stainless steel, heavy end pressure, metric

| Item No.  | D   | D1  | L  | L1 | H   | N   | Spring force<br>initial pressure<br>F1 approx. N | Spring force<br>final pressure<br>F2 approx. N | Tightening<br>torque<br>approx. Nm | Loosening torque,<br>after third unscrewing<br>approx. Nm |
|-----------|-----|-----|----|----|-----|-----|--|--|------------------------------------|---|
| K0322.203 | M3  | 1,5 | 7  | 4  | 0,4 | 0,4 | 5  | 7  | 0,10                               | 0,07  |
| K0322.204 | M4  | 2,5 | 9  | 5  | 0,8 | 0,6 | 12   | 22   | 0,18                               | 0,12  |
| K0322.205 | M5  | 3   | 12 | 6  | 0,9 | 0,8 | 19   | 30   | 0,12                               | 0,08  |
| K0322.206 | M6  | 3,5 | 14 | 7  | 1   | 1   | 28   | 40   | 0,43                               | 0,21  |
| K0322.208 | M8  | 5   | 16 | 8  | 1,5 | 1,2 | 47   | 73   | 1,09                               | 0,37  |
| K0322.210 | M10 | 6   | 19 | 9  | 2   | 1,6 | 66   | 100  | 1,36                               | 0,62  |
| K0322.212 | M12 | 8   | 22 | 10 | 2,5 | 2   | 66   | 120  | 2,03                               | 1,36  |
| K0322.216 | M16 | 10  | 24 | 14 | 3,5 | 2,5 | 90   | 180  | 3,95                               | 2,95  |