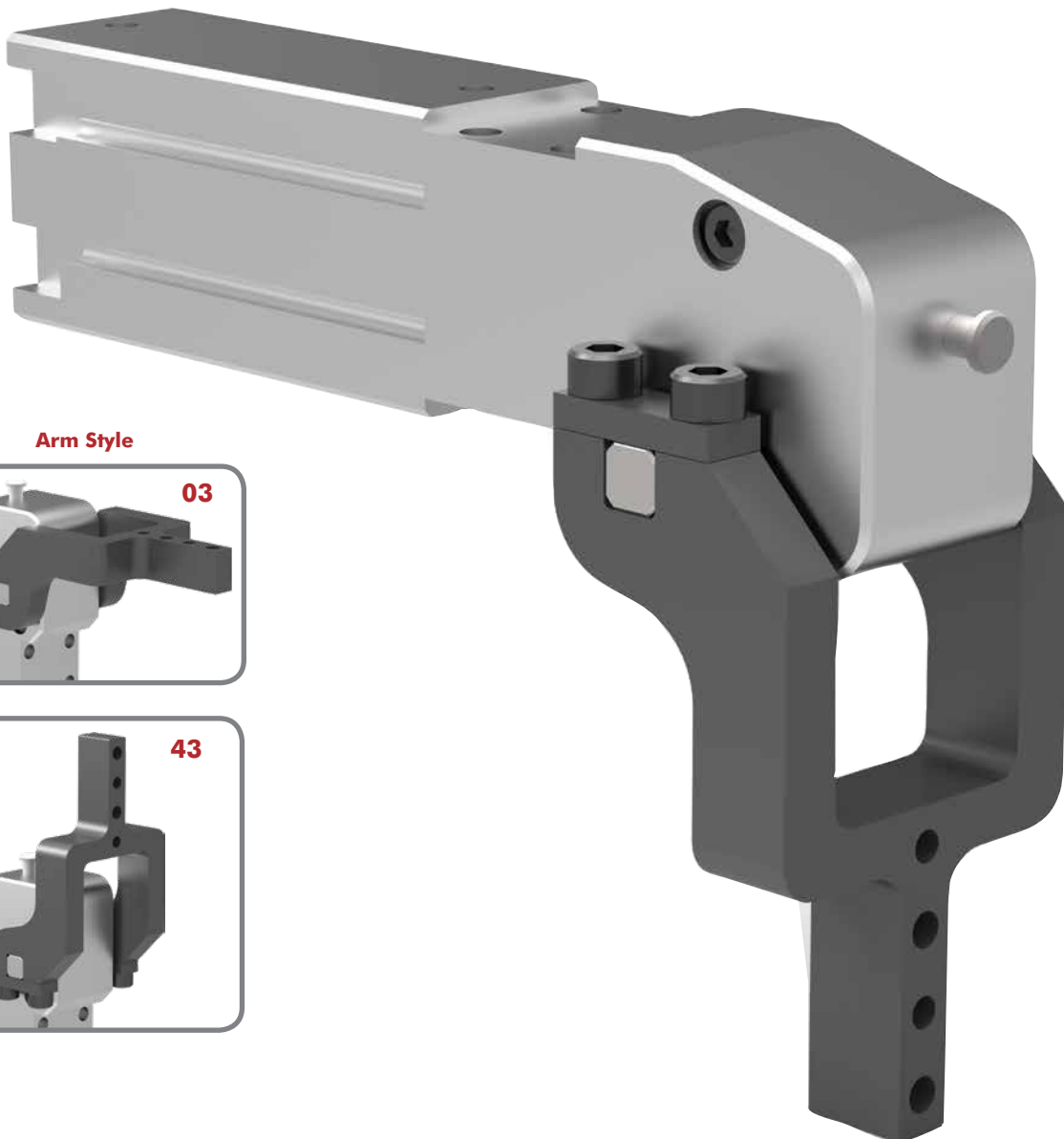


# 82L...-4... SERIES

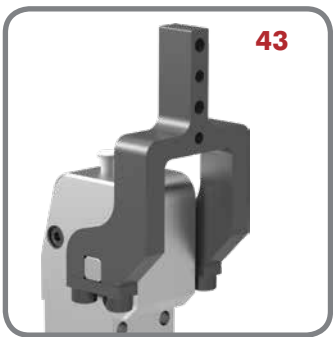
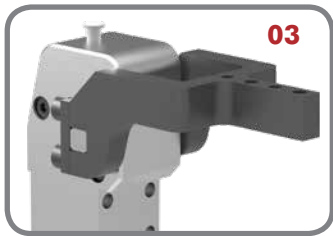
## Pneumatic Power Clamps | Ordering Information

**82L**   **16-4**   **03**   **0**

Base Model	Size	Description	Arm Style	Description	Opening Angle	Description
	<b>12-4</b>	12mm Cylinder Bore Size	<b>00</b>	No clamping arm	<b>0</b>	105° (Standard)
	<b>16-4</b>	16mm Cylinder Bore Size	<b>03</b>	U-bar, central 90°	<b>3</b>	90°
	<b>20-4</b>	20mm Cylinder Bore Size	<b>43</b>	U-bar, central 180°	<b>4</b>	75°
	<b>25-4</b>	25mm Cylinder Bore Size	See below for further details		<b>5</b>	60°
					<b>6</b>	45°
					<b>7</b>	30°
					<b>8</b>	15°



Arm Style



# 82L..-4... SERIES

## Pneumatic Power Clamps | Ordering Information

### Accessories

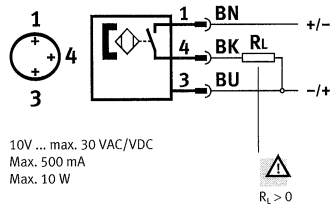
**8EA-109-1**

**82ZB-004-1**

Description (order separately)

Sensor, 3-wire cable, M8x1 connector, 3-pin

Adapter for mounting 82L20-4, 82L25-4 to 25mm dia. bar



**12**

Max Holding Torque  
35 Nm

Max Clamping Torque

**90° version:** 10,4 Nm at 5bar

**180° version:** 8,7 Nm at 5bar

**16**

Max Holding Torque  
40 Nm

Max Clamping Torque

12,4 Nm at 5bar

11,0 Nm at 5bar

**20**

Max Holding Torque  
50 Nm

Max Clamping Torque

21,0 Nm at 5bar

19,3 Nm at 5bar

**25**

Max Holding Torque  
80 Nm

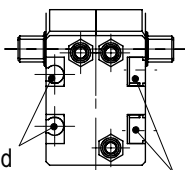
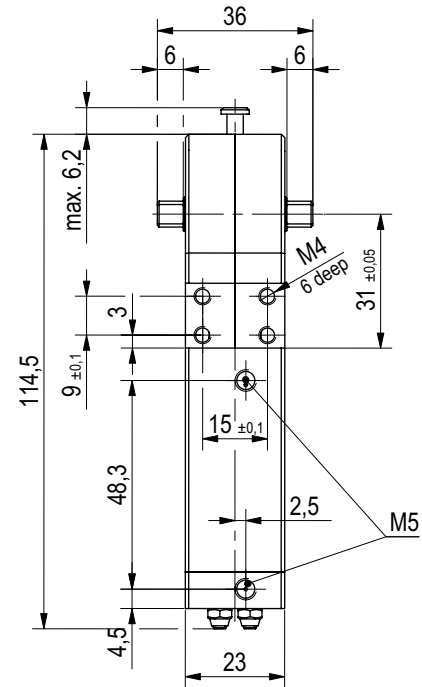
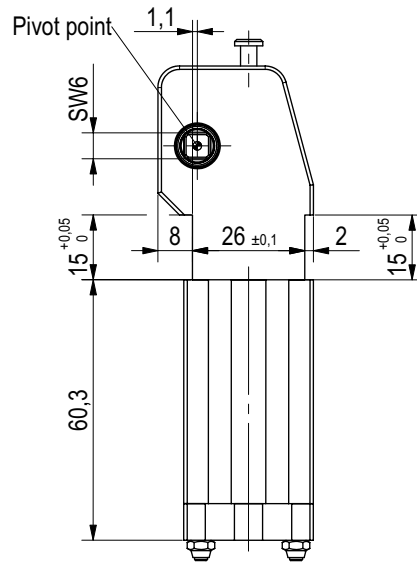
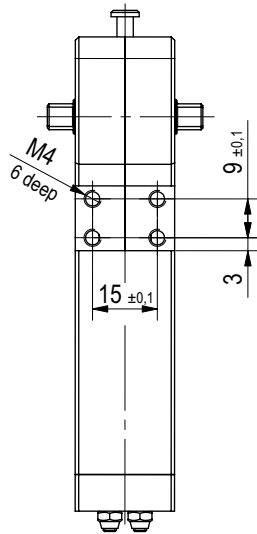
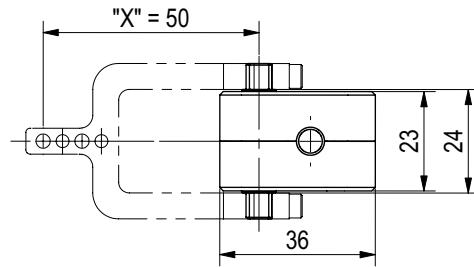
Max Clamping Torque

31,8 Nm at 5bar

28,5 Nm at 5bar

# 82L12-4 SERIES

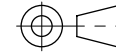
Pneumatic Power Clamps | Dimensions | Technical Specifications



Slot for round sensor

T-slot for sensor

mm [INCH]



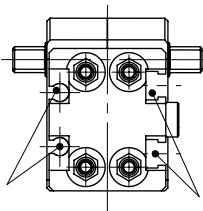
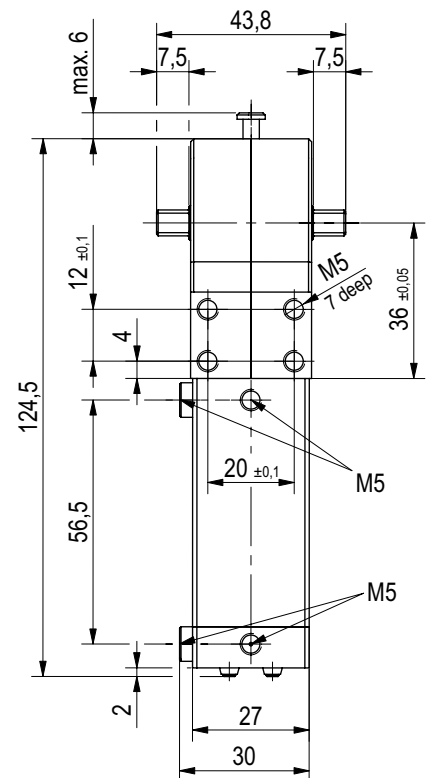
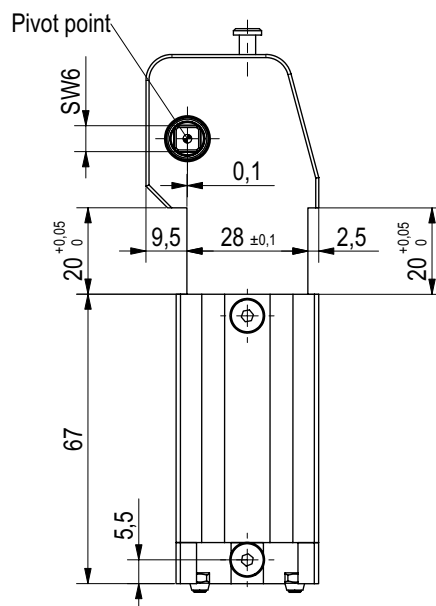
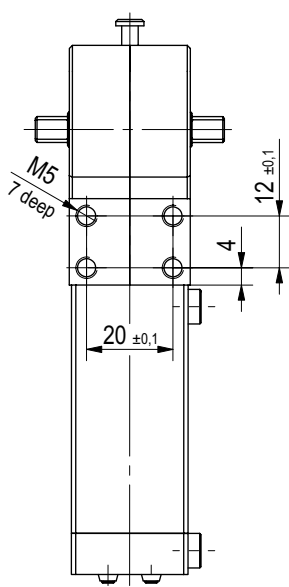
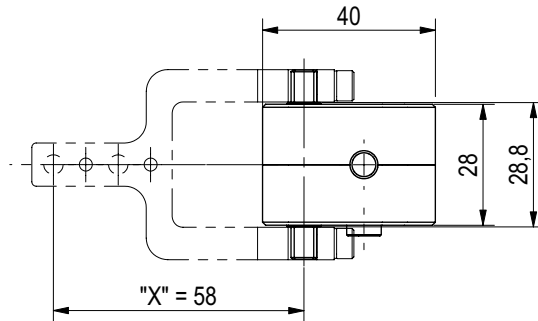
THIRD ANGLE PROJECTION

Power by compressed air, max. 6 bar Operation with oil-free air is permissible.

Model	Max. Holding Torque Nm [lb ft]	Max. Clamping Torque at 5 bar [72 psi] Nm [lb ft]	Weight [with arm] kg [lb]	Air Consumption per double stroke at 5 bar [72 psi] dm <sup>3</sup> [ft <sup>3</sup> ]	Max. Added Load (at Position "X") g [oz]
82L12-4030	35 [25.8]	10,4 [7.8]	0,23 [0.5]	0,25 [0.01]	50 [1.8]
82L12-4430	35 [25.8]	8,7 [6.4]	0,23 [0.5]	0,25 [0.01]	50 [1.8]

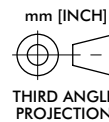
# 82L16-4 SERIES

## Pneumatic Power Clamps | Dimensions | Technical Specifications



Slot for round sensor

T-slot for sensor

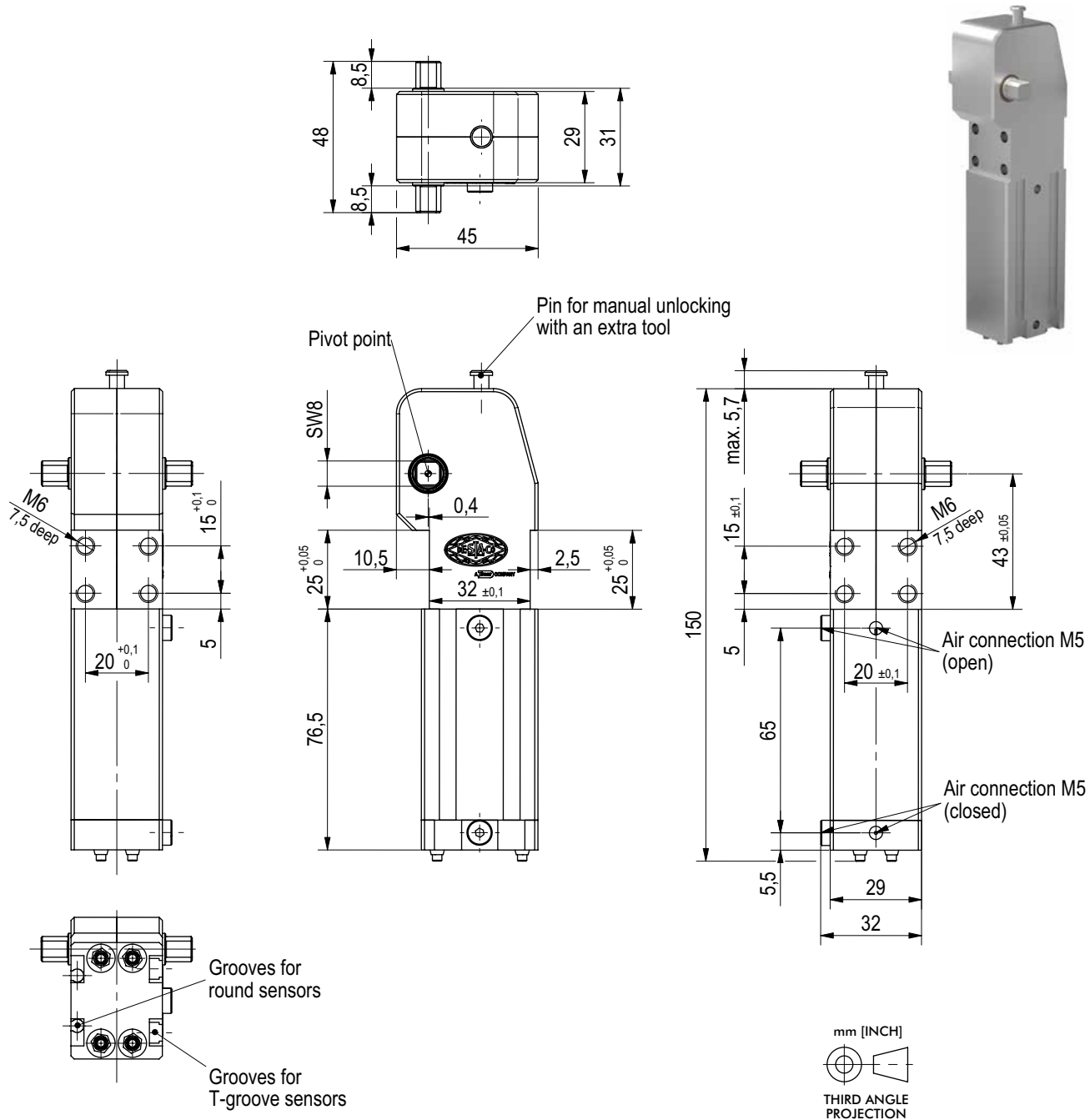


Power by compressed air, max. 6 bar Operation with oil-free air is permissible.

Model	Max. Holding Torque Nm [lb ft]	Max. Clamping Torque at 5 bar [72 psi] Nm [lb ft]	Weight [with arm] kg [lb]	Air Consumption per double stroke at 5 bar [72 psi] dm <sup>3</sup> [ft <sup>3</sup> ]	Max. Added Load (at Position "X") g [oz]
<b>82L16-4030</b>	40 [29.5]	12,4 [9.4]	0,33 [0.7]	0,27 [0.01]	80 [2.8]
<b>82L16-4430</b>	40 [29.5]	11,0 [8.1]	0,33 [0.7]	0,27 [0.01]	80 [2.8]

# 82L20-4 SERIES

## Pneumatic Power Clamps | Dimensions | Technical Specifications

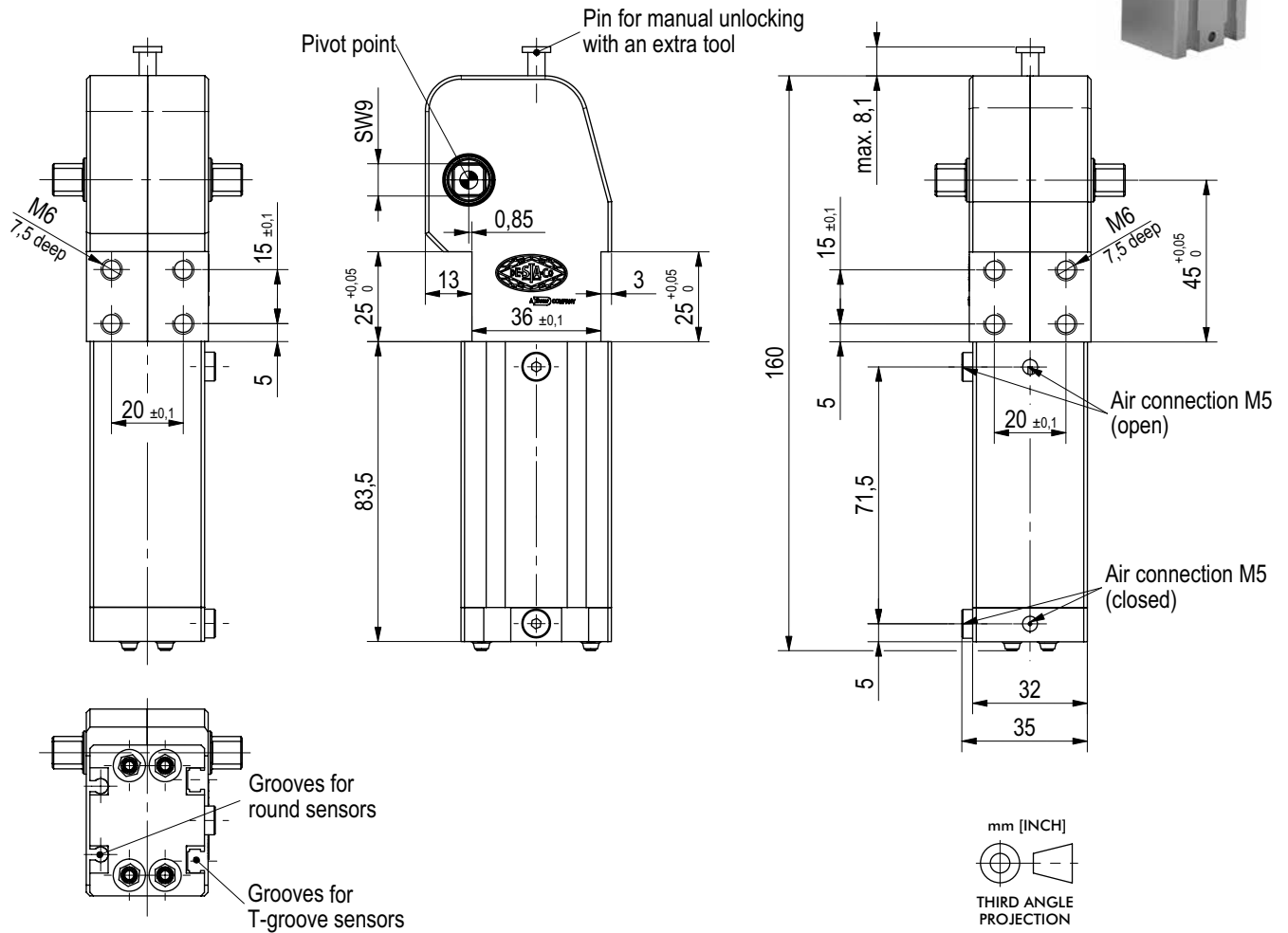
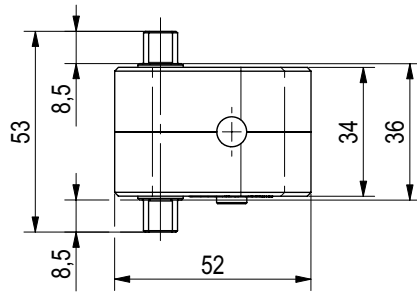


Power by compressed air, max. 6 bar Operation with oil-free air is permissible.

Model	Max. Holding Torque Nm [lb ft]	Max. Clamping Torque at 5 bar [72 psi] Nm [lb ft]	Weight [with arm] kg [lb]	Air Consumption per double stroke at 5 bar [72 psi] dm <sup>3</sup> [ft <sup>3</sup> ]	Max. Added Load (at Position "X") g [oz]
82L20-4030	50 [36.9]	21,0 [15.5]	0,42 [0.9]	0,35 [0.01]	90 [3.2]
82L20-4430	50 [36.9]	19,3 [14.3]	0,42 [0.9]	0,35 [0.01]	90 [3.2]

# 82L25-4 SERIES

## Pneumatic Power Clamps | Dimensions | Technical Specifications

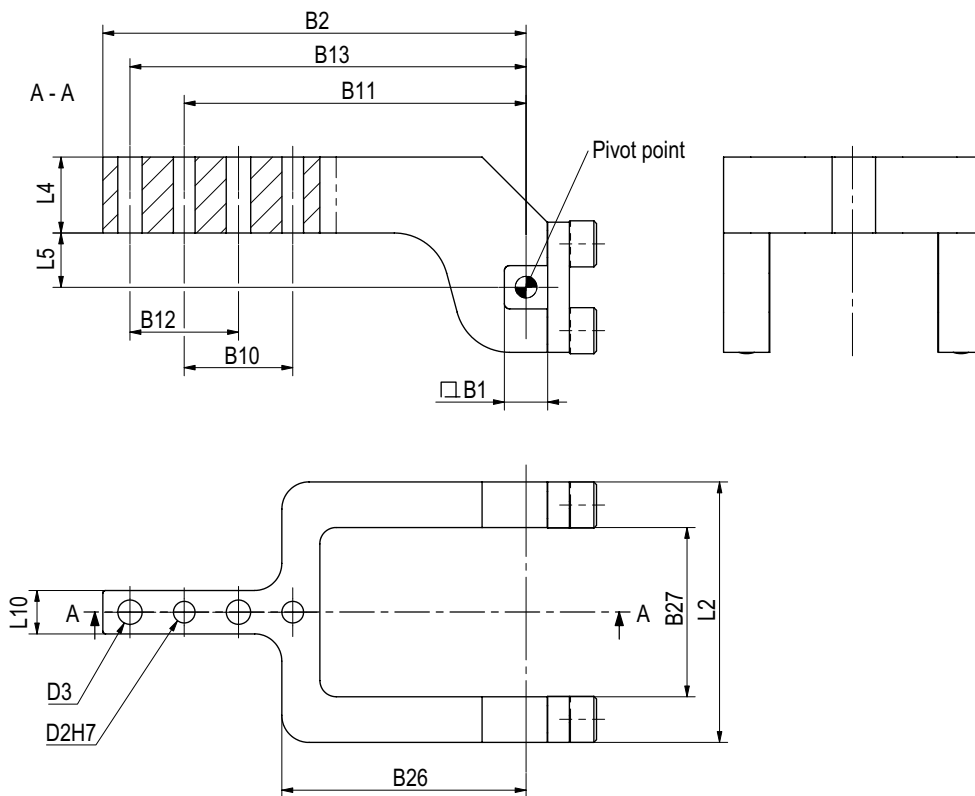


Power by compressed air, max. 6 bar Operation with oil-free air is permissible.

Model	Max. Holding Torque Nm [lb ft]	Max. Clamping Torque at 5 bar [72 psi] Nm [lb ft]	Weight [with arm] kg [lb]	Air Consumption per double stroke at 5 bar [72 psi] dm <sup>3</sup> [ft <sup>3</sup> ]	Max. Added Load (at Position "X") g [oz]
<b>82L25-4030</b>	80 [59]	31,8 [23.5]	0,66 [1.5]	0,40 [0.01]	100 [3.5]
<b>82L25-4430</b>	80 [59]	28,5 [12.5]	0,66 [1.5]	0,40 [0.01]	100 [3.5]

# 82L...-4... SERIES

## Pneumatic Power Clamps | Clamp Arm Dimensions



Model	Order no. for Arm	Max. Opening angle	B1	B2	B10 ±0,02	B11 ±0,02	B12 ±0,1	B13 ±0,1	B26	B27	D2 H7	D3	L2	L4	L5	L10
82L12-4...	8JG-401-1-01	105°	6	54	9	45.5	9	50	38,5	24	3	3.3	36	7	10	6
82L16-4...	8JG-402-1-01	105°	6	63	15	50.5	15	58	36,5	29	3	4.5	44	9.5	10	10
82L20-4...	8JG-403-1-01	105°	8	78	20	63	20	73	45	31,2	4	4.5	48	14	10	8
82L25-4...	8JG-404-1-01	105°	9	81	20	66	20	76	48	36	4	6.4	53	16	10	12

