

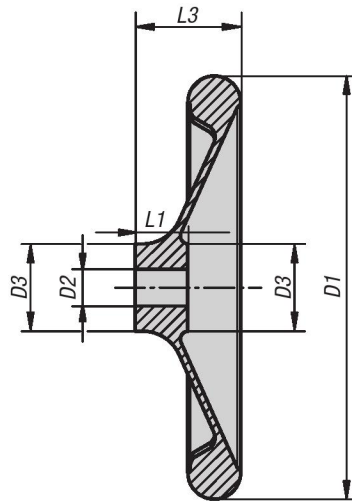
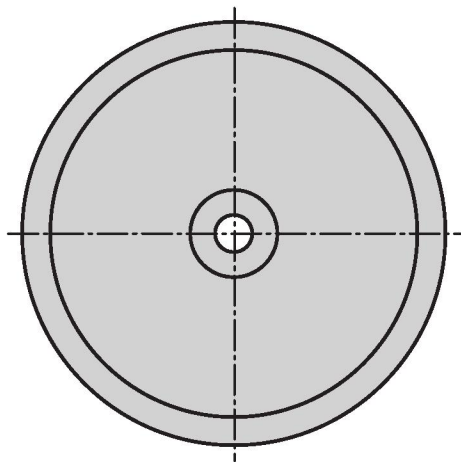


## Disc Handwheels

aluminum similar to DIN 950

INCH  
Parts

METRIC  
Parts



**Material:**

Handwheel aluminum

**Type:**

Wheel rim turned and polished

**Part Number Example:**

K0163.0080XCN

**On request:**

Square hole broached hubs or powder-coated handwheels.



# Disc Handwheels

aluminum similar to DIN 950

## KIPP Disc Handwheels aluminum, similar to DIN 950, inch

Item No.	D1	D2 line 1	D2 line 2	D3	L1	L3
K0163.0080XCN	80	.312	-	25	16	30
K0163.0080XCO	80	-	.375	25	16	30
K0163.0100XCO	100	.375	-	28	17	31
K0163.0100XCP	100	-	.500	28	17	31
K0163.0120XCO	120	.375	-	27	18	30
K0163.0120XCP	120	-	.500	27	18	30
K0163.0160XCP	160	.500	-	34	20	40
K0163.0160XCQ	160	-	.625	34	20	40
K0163.0200XCQ	200	.625	-	40	24	44
K0163.0200XCR	200	-	.750	40	24	44
K0163.0250XCR	250	.750	-	49	28	61
K0163.0250XCV	250	-	.875	49	28	61
K0163.0280XCR	280	.750	-	51	30	38
K0163.0280XCV	280	-	.875	51	30	38
K0163.0360XCV	360	.875	-	63	35	73
K0163.0360XCS	360	-	1.00	63	35	73

## KIPP Disc Handwheels aluminum, similar to DIN 950, metric

Item No.	D1	D2 line 1	D2 line 2	D3	L1	L3
K0163.0080X10	80	10	-	25	16	30
K0163.0080X12	80	-	12	25	16	30
K0163.0100X10	100	10	-	28	17	31
K0163.0100X12	100	-	12	28	17	31
K0163.0120X12	120	12	-	27	18	30
K0163.0120X14	120	-	14	27	18	30
K0163.0160X14	160	14	-	34	20	40
K0163.0160X16	160	-	16	34	20	40
K0163.0200X18	200	18	-	40	24	44
K0163.0200X22	200	-	22	40	24	44
K0163.0250X22	250	22	-	49	28	61
K0163.0250X26	250	-	26	49	28	61
K0163.0280X24	280	24	-	51	30	38
K0163.0280X28	280	-	28	51	30	38
K0163.0360X28	360	28	-	63	35	73
K0163.0360X32	360	-	32	63	35	73