

Spring Plungers

push fit plastic

METRIC
Parts



Material:

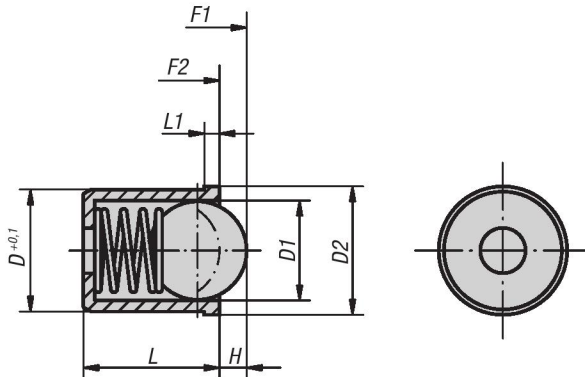
Body thermoplastic,
spring in stainless steel,
ball in stainless steel or in POM.

Type:

Body black.
Ball hardened, natural finish.
Plastic ball white.

Part Number Example:

K0334.04



KIPP Spring Plungers, push fit, plastic, metric

Item No.	Version	D	D1	D2	L	L1	H	Spring force initial pressure F1 approx. N	Spring force final pressure F2 approx. N
K0334.04	ball in stainless steel	4	3	4,6	5	1	0,7	3	7
K0334.05	ball in stainless steel	5	4	5,6	6	1	1	4	7
K0334.06	ball in stainless steel	6	5	6,5	7	1	1,5	6	12
K0334.08	ball in stainless steel	8	6,5	8,5	9	1	1,8	6	12
K0334.10	ball in stainless steel	10	8	12	13,5	2,5	2,7	10	20
K0334.12	ball in stainless steel	12	10	14	16	2,5	3,5	15	25

KIPP Spring Plungers, push fit, plastic, metric

Item No.	Version	D	D1	D2	L	L1	H	Spring force initial pressure F1 approx. N	Spring force final pressure F2 approx. N
K0334.204	ball in POM	4	3	4,6	5	1	0,7	3	7
K0334.205	ball in POM	5	4	5,6	6	1	1	4	7
K0334.206	ball in POM	6	5	6,5	7	1	1,5	6	12
K0334.208	ball in POM	8	6,5	8,5	9	1	1,8	6	12
K0334.210	ball in POM	10	8	12	13,5	2,5	2,7	10	20
K0334.212	ball in POM	12	10	14	16	2,5	3,5	15	25