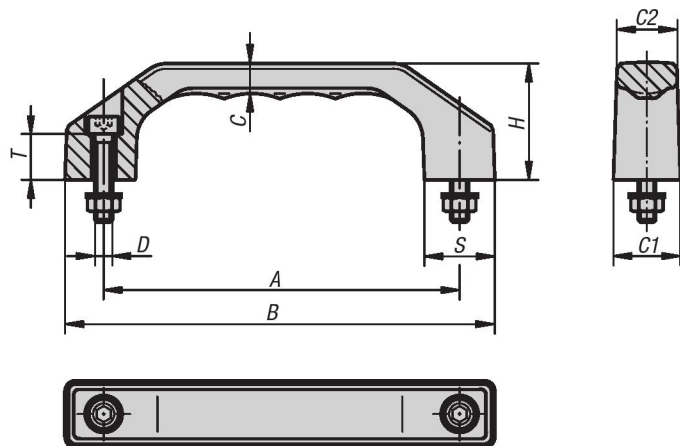




# Pull Handles

thermoplastic

METRIC  
Parts



**Material:**

Glass-ball reinforced thermoplastic

**Type:**

Matt black with fine texture

**Part Number Example:**

K0200.140082

**Note:**

These handles possess extreme torsional strength and are highly operator friendly. Fastening screws, nuts and flat washers are supplied. For wet areas, the fastening screws, nuts and flat washers are supplied in refined steel.

## KIPP Pull Handles thermoplastic, metric

Item No.	Item No. for wet areas	A	B	C	C1	C2	D	H	S	T	Load capacity N
K0200.100051	K0200.100052	100	122	8,5	19	17	M5x22	35	20	13	1000
K0200.120061	K0200.120062	120	146	10,5	23	20,5	M6x25	39	24	15	1000
K0200.140081	K0200.140082	140	170	12	27	24	M8x30	45	28	16	1000
K0200.160081	K0200.160082	160	194	13,5	31	27,5	M8x35	52	32	20	1000
K0200.180081	K0200.180082	180	218	15,5	35	31	M10x40	58	36	20	1000