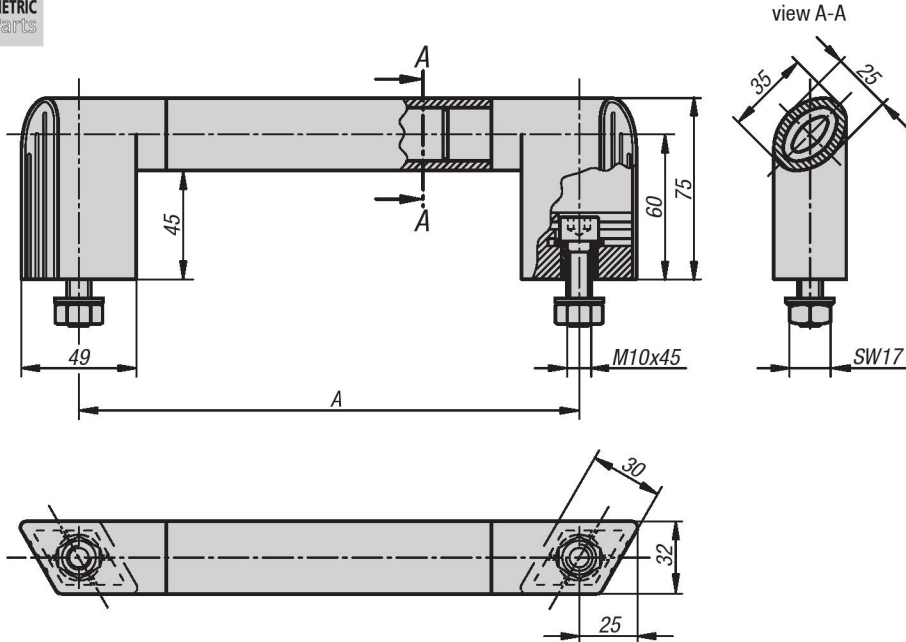


Big Hand

METRIC Parts



Heavy Duty durability, eye appeal and a firm grip are guaranteed with Novo-Grip Big Hand handles. Big Hands are designed for any size application, big or small, where strength, durability, endurance and performance are required.

Material:
Rhombus shaped end pieces thermoplastic.
Oval tube aluminum.

Type:
Rhombus shaped end pieces black gray,
oval tube coated or anodized.

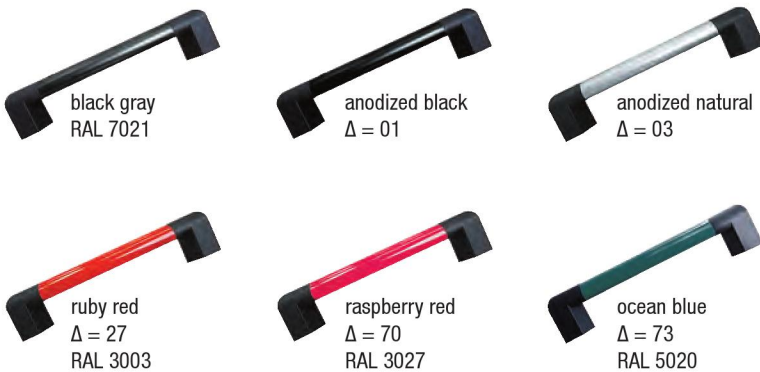
Part Number Example:
K0231.118070 (oval tube color raspberry red)

Note:
Big Hands are supplied unassembled.
Tube length A, available in custom lengths upon request.
Optional supply: set of M10 bolts for mounting options 1+2, a set of wood screws diameter, M5 with dowel for option 3.
A drill template and assembly tool are supplied with option 3.

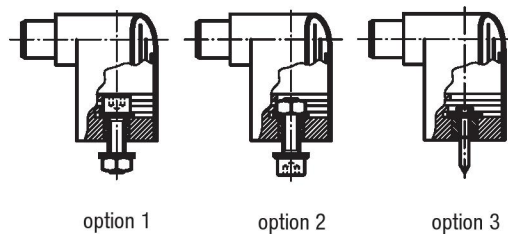
Δ Add the desired color code here; no color code is required with anthracite gray oval tubes

On request:
Length "A" in stepped special lengths.

color codes:



Mounting options



option 1

option 2

option 3

KIPP Big Hand, metric

Item No. options 1+2 socket head screw DIN 912	Item No. option 3 hexagon wood screw DIN 571	A
K0231.1180Δ	K0231.118011Δ	180
K0231.1200Δ	K0231.120011Δ	200
K0231.1250Δ	K0231.125011Δ	250
K0231.1300Δ	K0231.130011Δ	300
K0231.1350Δ	K0231.135011Δ	350
K0231.1400Δ	K0231.140011Δ	400
K0231.1500Δ	K0231.150011Δ	500
K0231.1600Δ	K0231.160011Δ	600