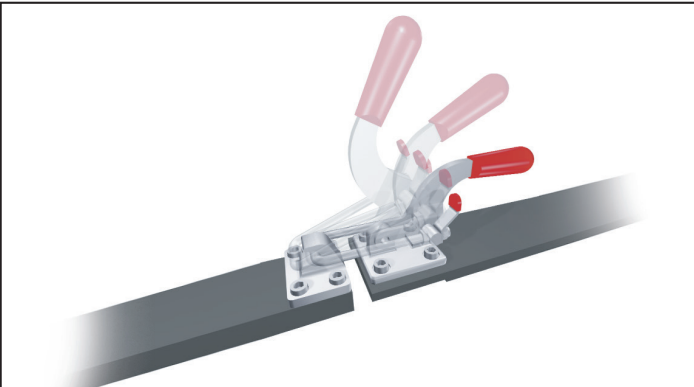
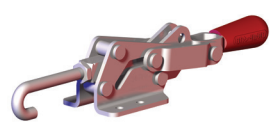





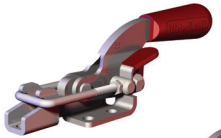
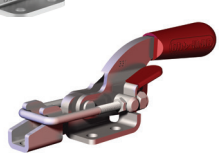
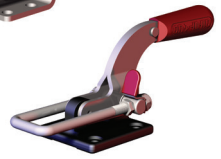
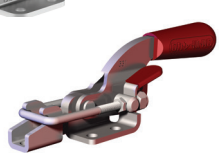


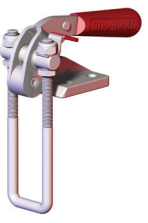

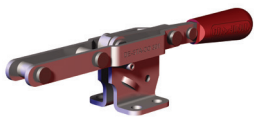

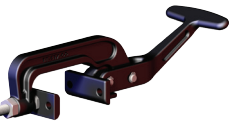



PULL ACTION LATCH CLAMPS

Sizing and Application Chart

	Series	Page: MC-PAL-#	Max. Holding Capacity N[lbf.]						Drawing Movement mm [inch]				
			0 to 2000 [0 to 450]	2000 to 4000 [450 to 900]	4000 to 6000 [900 to 1350]	6000 to 10000 [1350 to 2250]	10000 to 20000 [2250 to 4500]	20000+ [4500+]	0 to 50 [0 to 1.97]	50 to 75 [1.4.97 to 2.95]	75 to 100 [2.95 to 3.94]	100 to 125 [3.94 to 4.92]	125 to 150 [4.92 to 5.91]
	3051	3											
	330	4											
	351	4											
	371	4											
	381	4											
	323	8											
	331	8											
	341	8											
	375	12											
	385	14											
	324	17											
	334	17											
	344	17											
	374	17											
	301	21											
	311	21											
	3011	22											
	353	23											

PULL ACTION LATCH CLAMPS

Sizing and Application Chart

Overall Height mm [inch]						Overall Length mm [inch]						Overall Width mm [inch]				Standard Material			Hook Style		Service Environment					
0 to 50 [0 to 1.97]	50 to 75 [1.497 to 2.95]	75 to 100 [2.95 to 3.94]	100 to 125 [3.94 to 4.92]	125 to 150 [4.92 to 5.91]	150+ [5.91+]	50 to 100 [1.97 to 3.94]	100 to 150 [3.94 to 5.91]	150 to 200 [5.91 to 7.87]	200 to 250 [5.91 to 9.84]	250 to 300 [5.91 to 11.81]	300 to 350 [11.81 to 13.78]	0 to 40 [0 to 1.57]	40 to 50 [1.57 to 1.97]	50 to 60 [1.97 to 2.36]	60 to 70 [2.36 to 2.76]	70 to 80 [2.76 to 3.15]	80 to 90 [3.15 to 3.54]	Duty Cycle	Steel	Stainless Steel	Toggle Lock Plus	Fixed	Adjustable U-Hook	Adjustable J-Hook	Normal	Harsh/Dirty
█								█				█						○	✓		✓			✓	✓	
█								█				█						○	✓	✓				✓	✓	
█								█				█						○	✓	✓	✓			✓	✓	
	█									█				█				○	✓	✓	✓			✓	✓	
	█									█						█		○	✓	✓	✓			✓	✓	
		█									█						█	●	✓		✓		✓			✓
		█										█					█	●	✓	✓	✓		✓			✓
			█									█						○	✓	✓	✓		✓		✓	
				█								█						○	✓	✓	✓		✓		✓	
					█								█					○	✓	✓	✓		✓		✓	
						█								█				●	✓				✓			✓
							█								█			○	✓	✓		✓			✓	
								█								█		○	✓			✓			✓	
									█								█	●	✓	✓		✓				✓
										█							█	●	✓	✓		✓				✓

● Excellent/High ○ Fair/Medium ● Poor/Low ⊗ Not Recommended

3051 SERIES

Pull Action Latch Clamps | Product Overview

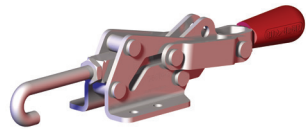
Features:

- Safe, single handed operation
- Innovative controlled motion
- Secure toggle locking action
- Simple set-up and adjustment
- Clamp hook/arm moves and stays safely out of the way

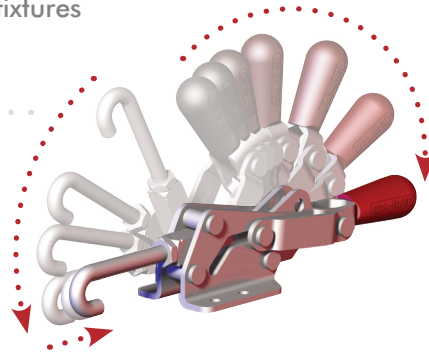
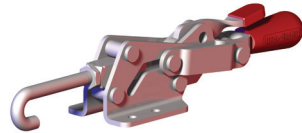
Applications:

- Molding
- Closures for doors, lids, covers
- Assembly
- Checking fixtures

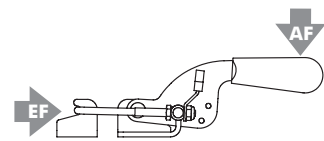
3051



3051-R

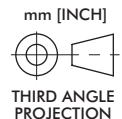
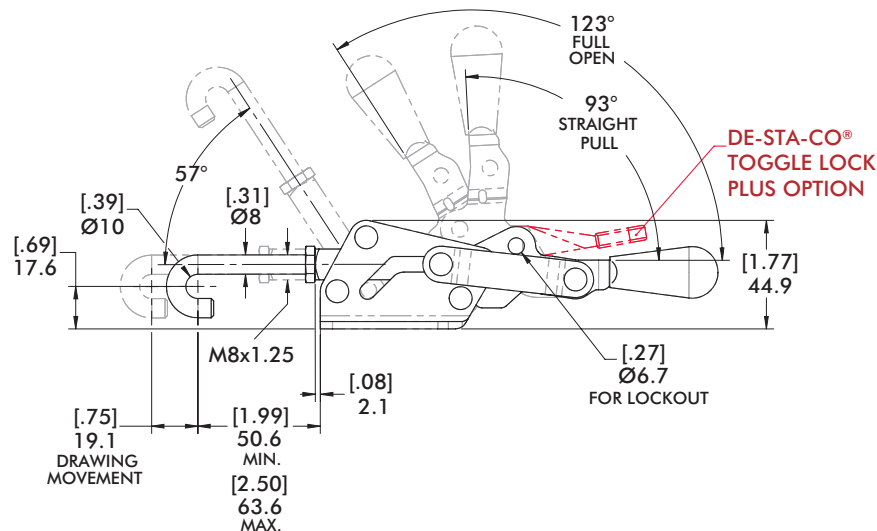
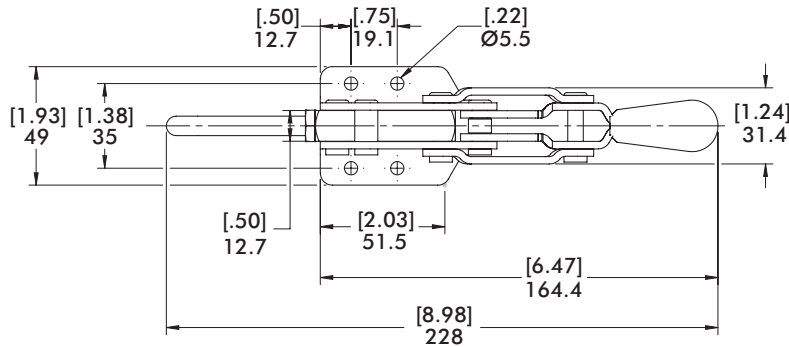


Technical Information, Holding Capacities, Standard Clamp Dimensions



Model	Max. Holding Capacity	Weight	EF:AF	Drawing Movement	Replacement Hook Assembly	Hook Adj. Range
3051	6700N [1500lbf]	0,50kg [1.0lb]	12:1	19,1 [0.75]	3051208	14 [0.55]
3051-R						

EF = Exerting Force, AF = Applied Force



330, 351, 371, 381 SERIES

Pull Action Latch Clamps | Product Overview

Features:

- J-hook style latch clamps are supplied with threaded J-hooks for easy adjustment
- Supplied with patented thumb control lever for one handed operation
- DE-STA-CO® Toggle Lock Plus versions available
- Stainless steel version available as **-SS** models

Applications:

- Molding
- Closures for doors, lids, covers
- Assembly

Also Available:

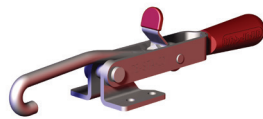
- Clamps with longer hooks available Upon Request that are 25mm, 50mm, 100mm longer than standard length
- To order clamp with longer hook, add **-M-25**, **-M-50**, or **-M-100** to the end of the model. Example: 330-**M-50**

Covered under one or more U.S./International Patents

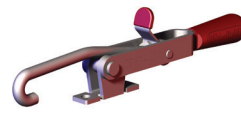
330
330-SS



351
351-SS



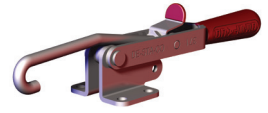
351-B
351-BSS
Narrow Base



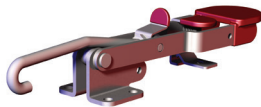
351-R
with
DE-STA-CO®
Toggle Lock
Plus



371
371-SS



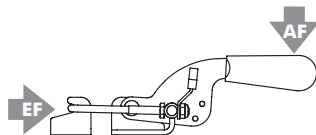
371-R
with DE-STA-CO®
Toggle Lock
Plus



381
381-SS



Technical Information, Holding Capacities



Model	Max. Holding Capacity	Weight	EF:AF	Drawing Movement	Replacement Hook Assembly	Hook Adj. Range
330	900 N [200 lbf]	0,11kg [0.24lb]	17:1	59,7 [2.35]	330215	7.4 [0.29]
330-SS					330915	
351	1670 N [375 lbf]	0,28kg [0.61lb]	21:1	101,6 [4.00]	351215	12.4 [0.49]
351-SS	2000 N [450 lbf]				351915	
351-B	1670 N [375 lbf]				351215	
351-BSS					351915	
351-R					351215	
371	3340 N [750 lbf]	0,69kg [1.53lb]	36:1	136,7 [5.38]	371215	23.9 [0.94]
371-SS		371915				
371-R		0,85kg [1.88lb]			371215	
381	4450 N [1000 lbf]	1,16kg [2.56lb]	37:1	155,7 [6.13]	381215	29.7 [1.17]
381-SS					381915	

EF = Exerting Force, AF = Applied Force

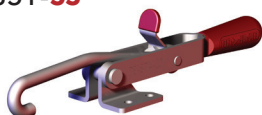
330, 351, 371, 381 SERIES

Pull Action Latch Clamps | Dimensions | 330/351/371/381/-SS/-B/-BSS

330
330-SS



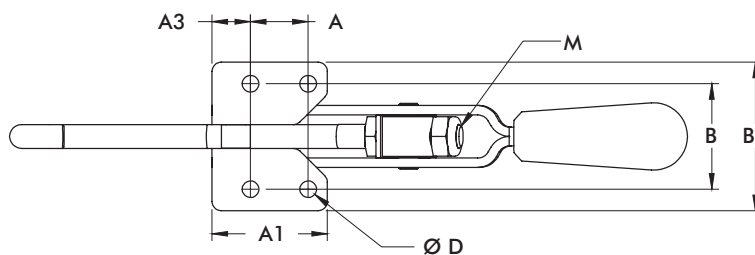
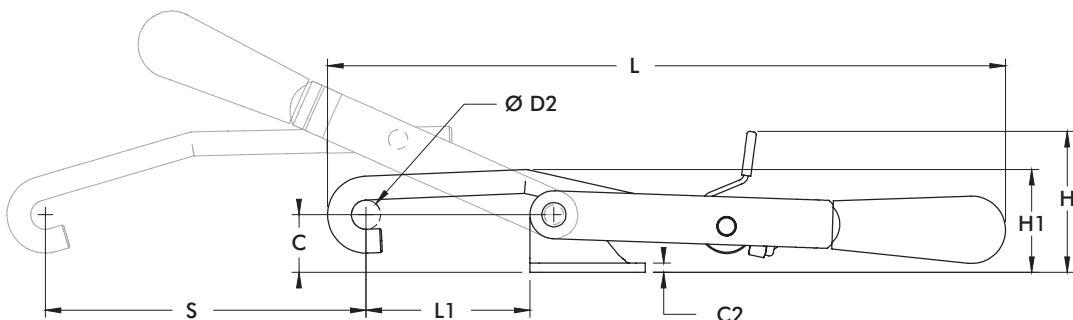
351
351-SS



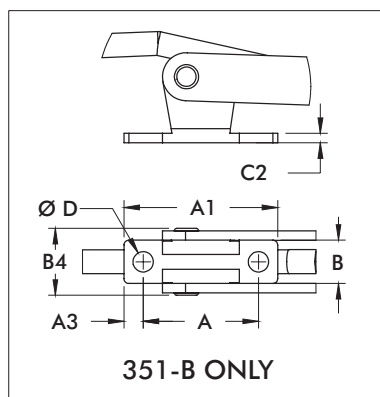
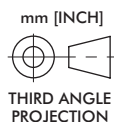
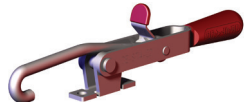
371
371-SS



381
381-SS



351-B
351-BSS
Narrow Base



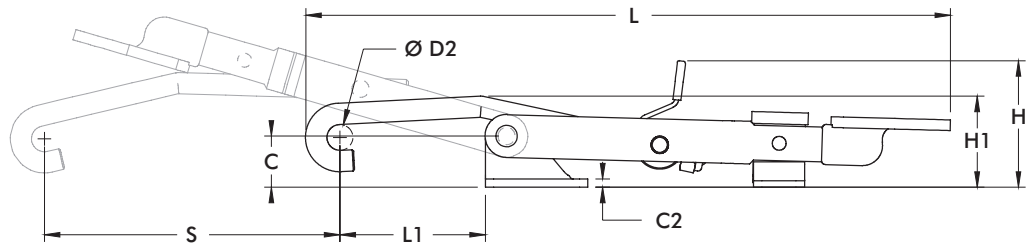
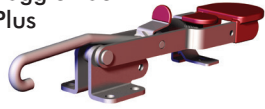
Model	A	A1	A3	B
330	[0.50]	[1.00]	[0.25]	[1.22]
330-SS	12,7	25,4	6,4	30,9
351	[0.75]	[1.50]	[0.50]	[1.37]
351-SS	19,1	38,1	12,7	34,8
351-B	[1.50]	[2.00]	[0.25]	[0.56]
	38,1	38,1	6,4	14,3
371	[1.25]	[1.94]	[0.34]	[1.94]
371-SS	31,8	49,2	8,7	49,2
381	[1.13]	[2.13]	[0.50]	[2.37]
381-SS	28,6	54,1	12,7	60,3

Model	B1	B4	C	C2	ØD	ØD2	H	H1	L	L1 Max	M	S
330	[1.69]	-	[0.56]	[0.12]	[0.22]	[0.32]	[1.43]	[0.89]	[6.01]	[1.70]	M5	[2.35]
330-SS	42,9	-	14,2	3,1	5,6	8,1	36,2	22,6	152,7	43,3		59,7
351	[1.93]	-	[0.75]		[0.22]		[1.83]	[1.34]		[2.13]		
351-SS	49,1	-	19,1	[0.12]	5,5	[0.38]	46,6	34	[8.82]	54,2	M8	[4.00]
				3,1		9,7			224			101,6
351-B	-	[0.87]	[0.86]		[0.27]		[1.94]	[1.45]		[1.63]		
		22,1	21,8		6,7		49,3	36,8		41,4		
371	[2.63]	-	[1.42]	[0.16]	[0.34]	[0.50]	[2.58]	[2.23]	[11.89]	[2.81]	M10	[5.38]
371-SS	66,7	-	36,1	4	8,7	12,7	65,6	56,5	302	71,5		136,7
381	[3.38]	-	[1.81]	[0.19]	[0.41]	[0.62]	[2.90]	[2.71]	[13.45]	[3.13]	M12	[6.13]
381-SS	85,9	-	46	4,7	10,3	15,7	73,6	68,8	341,7	79,5		155,7

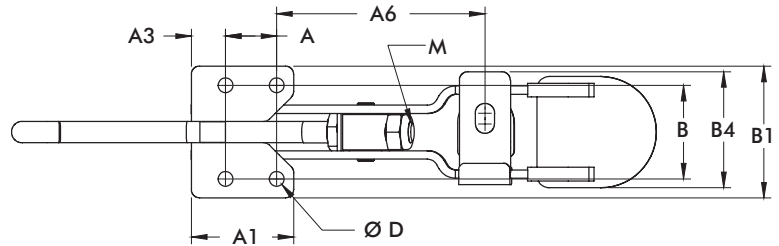
351-R, 371-R SERIES

Pull Action Latch Clamps | Dimensions

371-R
with
DE-STA-CO®
Toggle Lock
Plus

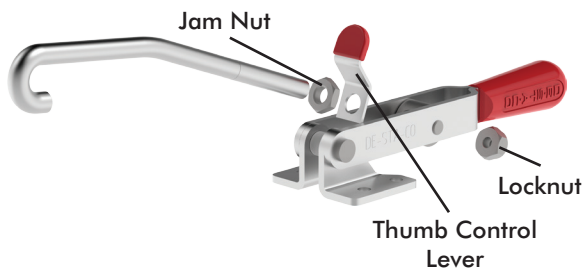


351-R
with
DE-STA-CO®
Toggle Lock
Plus

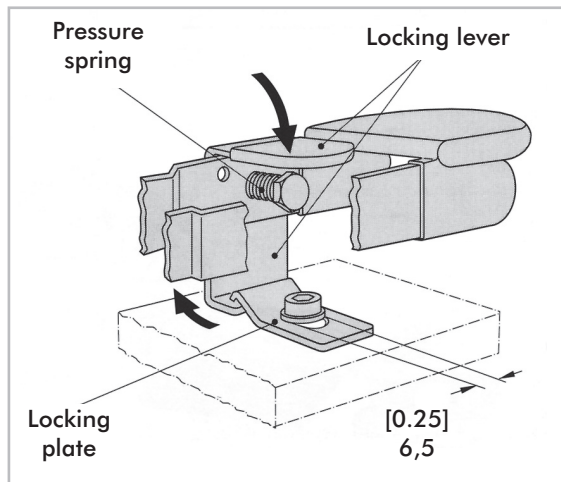


Model	A	A1	A3	A6	B	B1	B4	C	C2	ØD	H	H1
351-R	[0.75] 19,1	[1.50] 38,1	[0.50] 12,7	[3.06] 77,7	[1.37] 34,8	[1.93] 49,1	[1.70] 19,1	[0.75] 19,1	[0.12] 3,1	[0.22] 5,5	[1.85] 47,1	[1.34] 33,9
371-R	[1.25] 31,8	[1.94] 49,2	[0.34] 8,7	[4.73] 120,1	[1.94] 49,2	[2.63] 66,7	[2.25] 57,2	[1.42] 36,1	[0.16] 4	[0.34] 8,7	[2.65] 67,4	[2.22] 56,3

Model	L	L1	M	S
351-R	[9.45] 240	[2.13] 54,2	M8	[4.33] 110
371-R	[12.74] 323,6	[2.81] 71,4	M10	[5.59] 142



For added convenience, DE-STA-CO Pull Action Toggle Clamps are supplied with a thumb control lever.



Model 351-R, 371-R

Information concerning the assembly and function of the clamps locking mechanism

The locking plate which is supplied with the unit must be fastened with a screw (M6 or 1/4-20) as shown in this illustration. The screw head should be flat.

Function

When closing the latch clamp, the locking lever engages automatically. Actuate the locking lever to open the clamp.

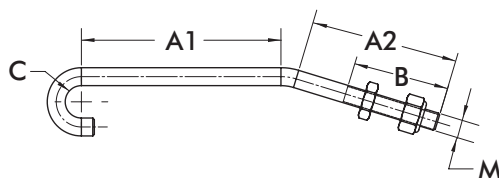
Replacement Thumb Control Lever	Used on Clamp Model
330-ZB1	330
351-ZB1	351, 351-B 351-R, 351-SS
371-ZB1	371, 371-R 371-SS
381-ZB1	381, 381-SS

351-R, 371-R SERIES

Pull Action Latch Clamps | Replacement Hook Assembly Dimensions

Replacement Hook Assembly	Used on Clamp Model	A1	A2	B	ØC	M	Material				
330215	330	[2.00] 50,8	[1.50] 38,1	[0.75] 19,1	[0.32] 8,1	M5 x 0.8	Steel				
330215-M-25 ⓘ	330-M-25	[3.00] 76,2									
330215-M-50 ⓘ	330-M-50	[4.00] 101,6									
330215-M-100 ⓘ	330-M-100	[6.00] 152,4					[3.38] 85,9	[1.63] 41,4	[0.38] 9,6	M8 x 1.25	Steel
330915	330-SS	[2.00] 50,8									
330915-M-25 ⓘ	330-SS-M-25	[3.00] 76,2									
330915-M-50 ⓘ	330-SS-M-50	[4.00] 101,6									
330915-M-100 ⓘ	330-SS-M-100	[6.00] 152,4	[4.16] 105,7	[2.22] 56,4	[0.50] 12,7	M10 x 1.50	Stainless Steel				
351215	351 351-B 351-R	[2.09] 53,1									
351215-M-25 ⓘ	351-M-25 351-B-M-25 351-R-M-25	[3.09] 78,5									
351215-M-50 ⓘ	351-M-50 351-B-M-50 351-R-M-50	[4.09] 103,9									
351215-M-100 ⓘ	351-M-100 351-B-M-100 351-R-M-100	[6.09] 154,7									
351915	351-SS	[2.09] 53,1					[4.63] 117,6	[2.50] 63,5	[0.62] 15,8	M12 x 1.75	Steel
351915-M-25 ⓘ	351-SS-M-25	[3.09] 78,5									
351915-M-50 ⓘ	351-SS-M-50	[4.09] 103,9									
351915-M-100 ⓘ	351-SS-M-100	[6.09] 154,7									
371215	371 371-R	[2.94] 74,7									
371215-M-25 ⓘ	371-M-25 371-R-M-25	[3.94] 100									
371215-M-50 ⓘ	371-M-50 371-R-M-50	[4.94] 125,5									
371215-M-100 ⓘ	371-M-100 371-R-M-100	[6.94] 176,3									
371915	371-SS	[2.94] 74,7	[4.63] 117,6	[2.50] 63,5	[0.62] 15,8	M12 x 1.75	Stainless Steel				
371915-M-25 ⓘ	371-SS-M-25	[3.94] 100									
371915-M-50 ⓘ	371-SS-M-50	[4.94] 125,5									
371915-M-100 ⓘ	371-SS-M-100	[6.94] 176,3									
381215	381	[3.00] 76,2									
381215-M-25 ⓘ	381-M-25	[4.00] 101,6									
381215-M-50 ⓘ	381-M-50	[5.00] 127									
381215-M-100 ⓘ	381-M-100	[7.00] 177,8									
381915	381-SS	[3.00] 76,2	[4.63] 117,6	[2.50] 63,5	[0.62] 15,8	M12 x 1.75	Steel				
381915-M-25 ⓘ	381-SS-M-25	[4.00] 101,6									
381915-M-50 ⓘ	381-SS-M-50	[5.00] 127									
381915-M-100 ⓘ	381-SS-M-100	[7.00] 177,8									

ⓘ This item is available upon request.



323, 331, 341 SERIES

Pull Action Latch Clamps | Product Overview

Features:

- U-hook style latch clamps are supplied with threaded U-hooks for easy adjustment
- Supplied with latch plate and patented thumb control lever for one handed operation
- DE-STA-CO® Toggle Lock Plus versions available
- Stainless steel version available as **-SS** models

Applications:

- Molding
- Closures for doors, lids, covers
- Assembly

Also Available:

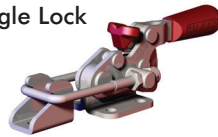
- Clamps with longer hooks available Upon Request that are 25mm, 50mm, 100mm longer than standard length
- To order clamp with longer hook, add **-M-25**, **-M-50**, or **-M-100** to the end of the model. Example: 323-**M-50**

Covered under one or more U.S./International Patents

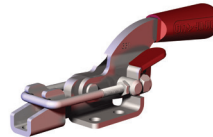
323
323-SS



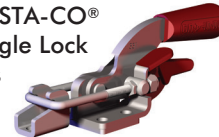
323-R
323-RSS
with DE-STA-CO®
Toggle Lock
Plus



331
331-SS



331-R
331-RSS
with
DE-STA-CO®
Toggle Lock
Plus



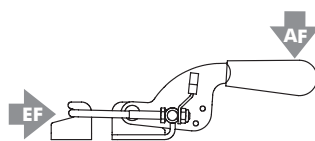
341
341-SS



341-R
341-RSS
with DE-STA-CO®
Toggle Lock
Plus



Technical Information, Holding Capacities



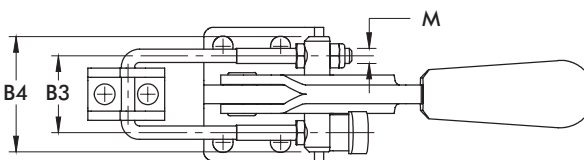
Model	Max. Holding Capacity	Weight	EF:AF	Drawing Movement	Latch Plate (Supplied)	Replacement Hook Assembly	Hook Adj. Range
323				30 [1.18]	323104-M	323215	
323-SS	1600 N [360 lbf]	0,07kg [0.15lb]	27:1		323104-MSS	323915	[0.36]
323-R				29,7 [1.17]	323104-M	323215	9,1
323-RSS					323104-MSS	323915	
331					331005	331215	
331-SS	3200 N [720 lbf]	0,25kg [0.56lb]	32:1	44,5 [1.75]	331905	331915	[0.87]
331-R					331005	331215	22,1
331-RSS					331905	331915	
341					341005	341215	
341-SS	8900 N [2000 lbf]	0,65kg [1.43lb]	29:1	63,5 [2.50]	341905	341915	[0.97]
341-R					341005	341215	24,6
341-RSS					341905	341915	

EF = Exerting Force, AF = Applied Force

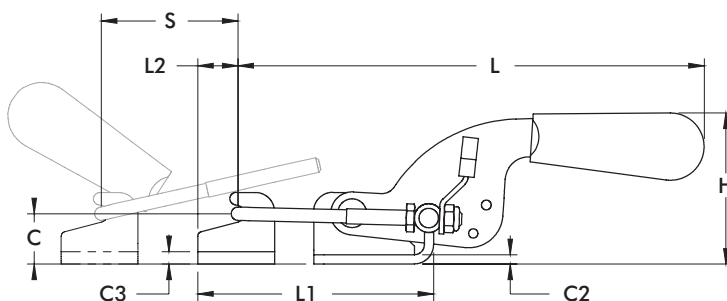
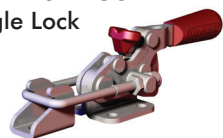
323, 323-R, 331, 341 SERIES

Pull Action Latch Clamps | Dimensions | 323/331/341/-SS/-R/-RSS

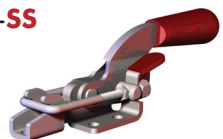
323
323-SS



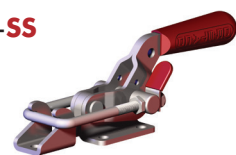
323-R
323-RSS
with DE-STA-CO®
Toggle Lock
Plus



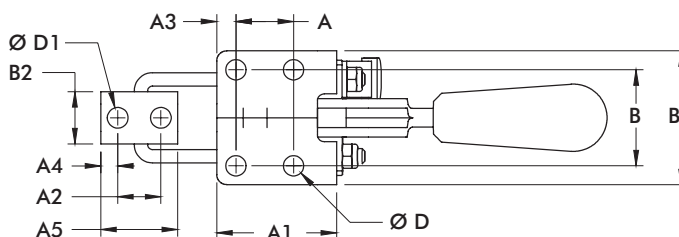
331
331-SS



341
341-SS



mm [INCH]
THIRD ANGLE
PROJECTION



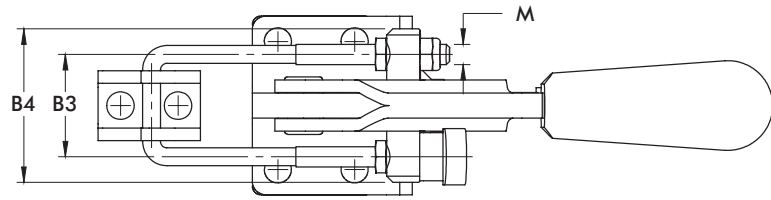
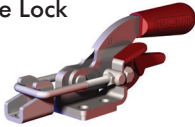
Model	A	A1	A2	A3	A4	A5	B	B1	B2	B3	B4	C	C2
323													
323-SS	[0.63]	[1.02]	[0.39]	[0.20]	[0.24]	[0.79]	[0.75]	[1.10]	[0.52]	[0.75]	[1.10]	[0.47]	[0.08]
323-R	16	26	10	5	6	20	19	28	13,2	19,1	28	12	2
323-RSS													
331	[0.75]	[1.56]	[0.56]	[0.25]	[0.22]	[1.00]	[1.25]	[1.74]	[0.68]	[1.00]	[1.50]	[0.66]	[0.12]
331-SS	19,1	39,7	14,3	6,4	5,6	25,4	31,8	44,3	17,3	25,4	38,1	16,7	3,1
341	[1.63]	[2.38]	[0.75]	[0.38]	[0.38]	[1.50]	[1.50]	[2.12]	[1.19]	[1.75]	[2.38]	[0.94]	[0.16]
341-SS	41,3	60.5	19.1	9.7	9.5	38.1	38.1	53.8	30.1	44.5	60.5	23.8	4

Model	C3	ØD	ØD2	H	L	L1 MAX	L2	M	S
323									
323-SS	[0.08]	[0.17]	[0.17]	[1.19]	[3.88]	[2.32]	[0.37]	M4	[1.18]
323-R	2	4,2	4,2	30,3	98,6	58,9	9,3		30
323-RSS									
331	[0.12]	[0.27]	[0.27]	[1.97]	[6.07]	[3.07]	[0.52]	M5	[1.75]
331-SS	3,1	6,7	6,9	50	154,2	78	13,3		45,5
341	[0.16]	[0.33]	[0.33]	[2.89]	[8.20]	[4.59]	[0.75]	M8	[2.50]
341-SS	4	8,5	8,5	73,4	208,3	116,6	19,1		63,5

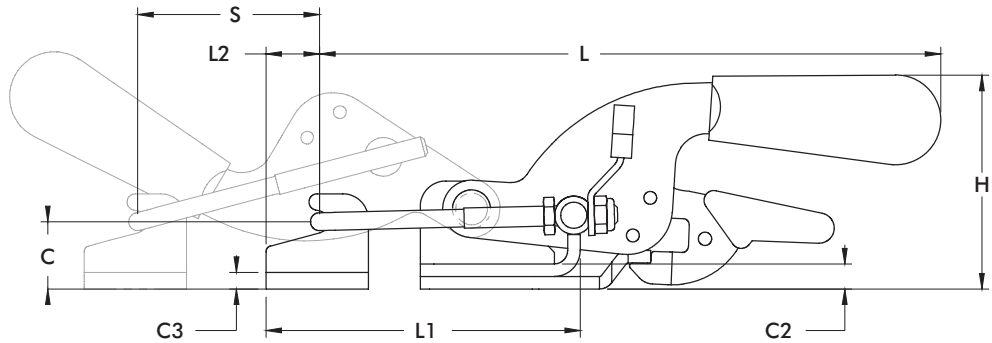
331-R, 341-R SERIES

Pull Action Latch Clamps | Dimensions | -R/-RSS

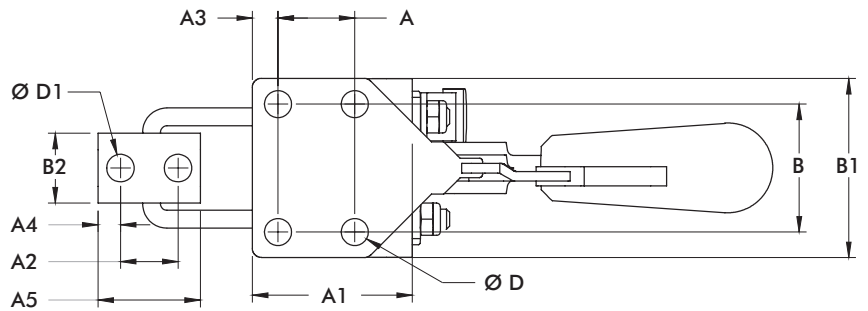
331-R
331-RSS
with
DE-STA-CO®
Toggle Lock
Plus



341-R
341-RSS
with DE-STA-CO®
Toggle Lock
Plus



mm [INCH]
THIRD ANGLE
PROJECTION



Model	A	A1	A2	A3	A4	A5	B	B1	B2	B3	B4	C	C2
331-R	[0.75]	[1.56]	[0.56]	[0.25]	[0.22]	[1.00]	[1.25]	[1.74]	[0.68]	[1.00]	[1.50]	[0.66]	[0.12]
331-RSS	19,1	39,7	14,3	6,4	5,6	25,4	31,8	44,3	17,3	25,4	38,1	16,7	3,1
341-R	[1.63]	[2.38]	[0.75]	[0.38]	[0.38]	[1.50]	[1.50]	[2.12]	[1.19]	[1.75]	[2.38]	[0.94]	[0.16]
341-RSS	41,3	60,5	19,1	9,7	9,5	38,1	38,1	53,8	30,1	44,5	60,5	23,8	4

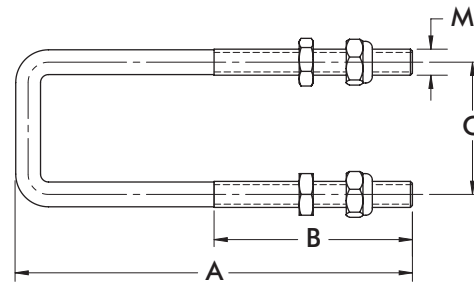
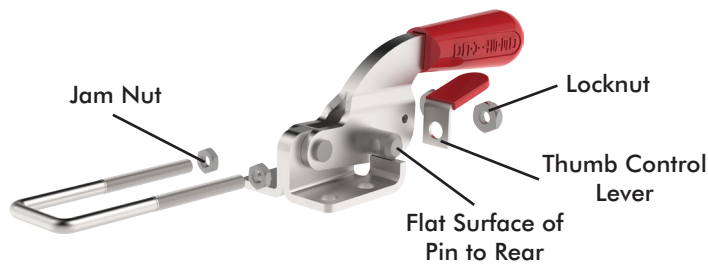
Model	C3	ØD	ØD2	H	L	L1 MAX	L2	M	S
331-R	[0.12]	[0.27]	[0.27]	[2.01]	[6.07]	[3.07]	[0.52]	M5	[1.75]
331-RSS	3,1	6,7	6,9	53,1	154,2	78	13,3	M5	45,5
341-R	[0.16]	[0.33]	[0.33]	[2.89]	[8.20]	[5.24]	[0.77]	M8	[2.50]
341-RSS	4	8,5	8,5	73,4	208,3	133,2	19,4	M8	63,5

323, 331, 341 SERIES

Pull Action Latch Clamps | Replacement Hook Assembly Dimensions

Replacement Hook Assembly	Used on Clamp Model	A	B	C	M	Material
323215	323, 323-R	[2.12] 53,8	[0.94] 23,8	[0.75] 19,1	M4 x 0.7	Steel
323215-M-25 ⓘ	323-M-25, 323-R-M-25	[3.12] 79,2				
323215-M-50 ⓘ	323-M-50, 323-R-M-50	[4.12] 104,6				
323215-M-100 ⓘ	323-M-100, 323-R-M-100	[6.12] 155,4				
323915	323-SS, 323-RSS	[2.12] 53,8				
323915-M-25 ⓘ	323-SS-M-25, 323-RSS-M-25	[3.12] 79,2				
323915-M-50 ⓘ	323-SS-M-50, 323-RSS-M-50	[4.12] 104,6	[1.50] 38,1	[1.00] 25,4	M5 x 0.8	Stainless Steel
323915-M-100 ⓘ	323-SS-M-100, 323-RSS-M-100	[6.12] 155,4				
331215	331, 331-R	[3.00] 76,2				
331215-M-25 ⓘ	331-M-25, 331-R-M-25	[4.00] 101,6				
331215-M-50 ⓘ	331-M-50, 331-R-M-50	[5.00] 127				
331215-M-100 ⓘ	331-M-100, 331-R-M-100	[7.00] 177,8				
331915	331-SS, 331-RSS	[3.00] 76,2	[1.97] 50	[1.75] 44,5	M8 x 1.25	Steel
331915-M-25 ⓘ	331-SS-M-25, 331-RSS-M-25	[4.00] 101,6				
331915-M-50 ⓘ	331-SS-M-50, 331-RSS-M-50	[5.00] 127				
331915-M-100 ⓘ	331-SS-M-100, 331-RSS-M-100	[7.00] 177,8				
341215	341, 341-R	[4.31] 109,5				
341215-M-25 ⓘ	341-M-25, 341-R-M-25	[5.31] 135				
341215-M-50 ⓘ	341-M-50, 341-R-M-50	[6.31] 160,2	[8.31] 211	[8.31] 211	M8 x 1.25	Stainless Steel
341215-M-100 ⓘ	341-M-100, 341-R-M-100	[8.31] 211				
341915	341-SS, 341-RSS	[4.31] 109,5				
341915-M-25 ⓘ	341-SS-M-25, 341-RSS-M-25	[5.31] 135				
341915-M-50 ⓘ	341-SS-M-50, 341-RSS-M-50	[6.31] 160,2				
341915-M-100 ⓘ	341-SS-M-100, 341-RSS-M-100	[8.31] 211				

ⓘ This item is available upon request.



For added convenience, DE-STA-CO Pull Action Toggle Clamps are supplied with a thumb control lever that allows the clamp to be operated with one hand.

Replacement Thumb Control Lever	Used on Clamp Model
324-ZB1	323, 323-SS
330-ZB1	331, 331-SS 331-R, 331-RSS
341-ZB1	341, 341-SS 341-R, 341-RSS

375 SERIES

Pull Action Latch Clamps | Product Overview

Features:

- Heavy duty U-hook style latch clamps are supplied with threaded U-hooks for easy adjustment
- Supplied patented thumb control lever for one handed operation
- DE-STA-CO® Toggle Lock Plus versions available

Applications:

- Molding
- Closures for doors, lids, covers
- Assembly

Also Available:

- Clamps with longer hooks available Upon Request that are 25mm, 50mm, 100mm longer than standard length
- To order clamp with longer hook, add **-M-25**, **-M-50**, or **-M-100** to the end of the model. Example: 375-**M-50**

Covered under one or more U.S./International Patents

375



375-R
with
DE-STA-CO®
Toggle Lock
Plus



375-B
Weld-on
Mounting



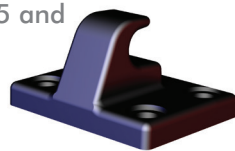
375-BR ⓘ
Weld-on
Mounting
with DE-STA-CO®
Toggle Lock
Plus



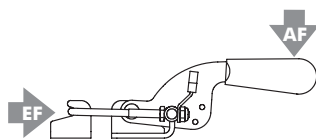
375509
Cleat



385102
Optional
Latch Plate
for 375 and
375-R



Technical Information, Holding Capacities



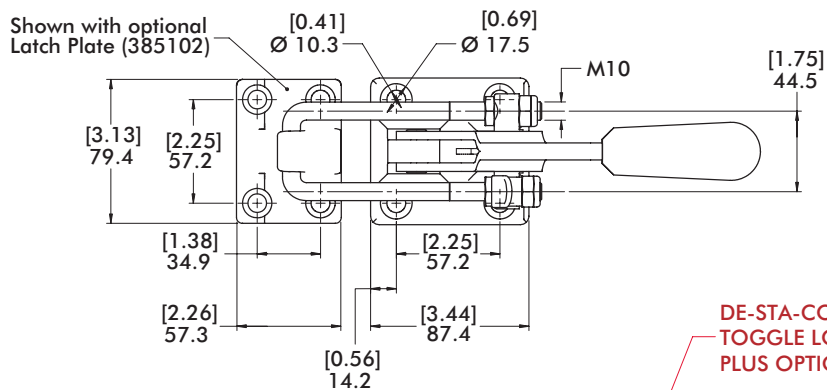
Model	Max. Holding Capacity	Weight	EF:AF	Drawing Movement	Latch Plate	Replacement Hook Assembly	Hook Adj. Range
375	[4000 lbf] 17800 N	[2.94lb] 1,33kg	44:1	88,9 [3.50]	385102 (Optional)	375215	[0.81] 20,5
375-R		[3.0lb] 1,36kg					
375-B		[2.56lb] 1,16kg			375509 (Supplied)		
375-BR ⓘ		[2.62lb] 1,19kg					

ⓘ This item is available upon request. **EF** = Exerting Force, **AF** = Applied Force

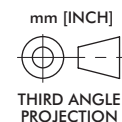
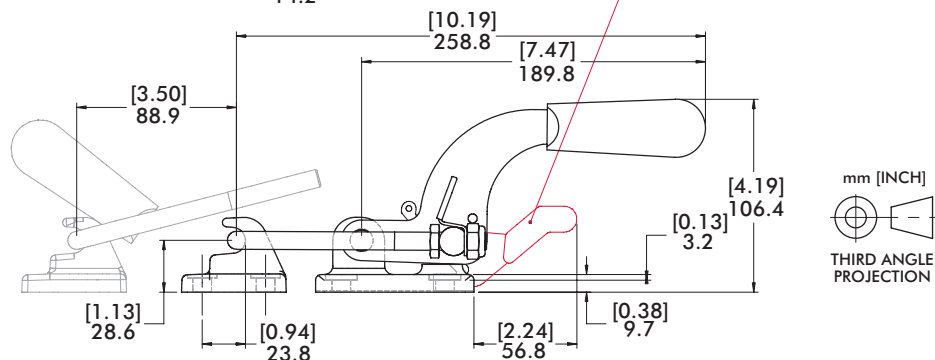
375, 375-R, 5-B, 375-BR SERIES

Pull Action Latch Clamps | Dimensions

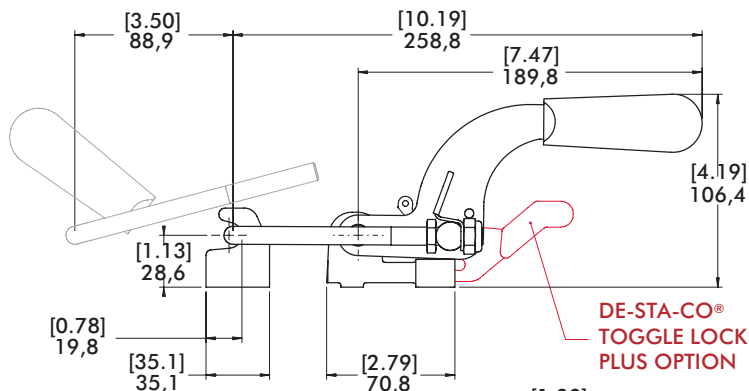
375



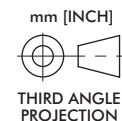
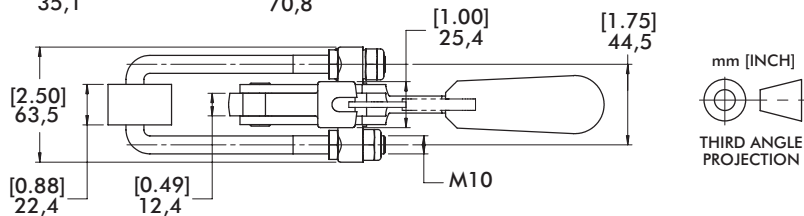
375-R
with
DE-STA-CO®
Toggle Lock
Plus



375-B
Weld-on
Mounting



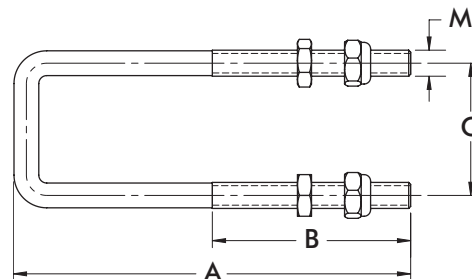
375-BR[®]
Weld-on
Mounting
with DE-STA-CO®
Toggle Lock
Plus



Replacement Hook Assembly

	A	B	C	M
375215	[5.72] 145	50,8 [2.00]	[1.75] 44,5	M10 x 1.50

Hook assembly includes (2) jam nuts and (2) locknuts. Longer hook lengths available Upon Request. 375215-M-25, 375215-M-50, 375215-M-100



385 SERIES

Pull Action Latch Clamps | Product Overview

Features:

- Heavy duty U-hook style latch clamps are supplied with threaded U-hooks for easy adjustment
- Supplied with patented thumb control lever for one handed operation
- DE-STA-CO® Toggle Lock Plus versions available

Applications:

- Molding
- Closures for doors, lids, covers
- Assembly

Also Available:

- Clamps with longer hooks available Upon Request that are 25mm, 50mm, 100mm longer than standard length
- To order clamp with longer hook, add **-M-25**, **-M-50**, or **-M-100** to the end of the model. Example: 385-**M-50**

Covered under one or more U.S./International Patents

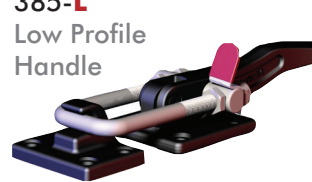
385



385-R
with DE-STA-CO®
Toggle Lock
Plus



385-L
Low Profile
Handle



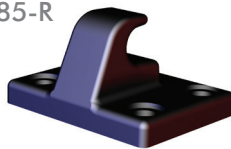
385-V2A ⓘ
Stainless Steel



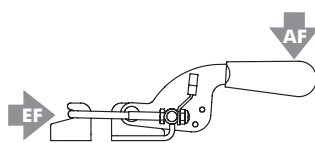
375509
Cleat



385102
Optional
Latch Plate
for 385, 385-R
and 385-L



Technical Information, Holding Capacities



Model	Max. Holding Capacity	Weight	EF:AF	Drawing Movement	Latch Plate	Replacement Hook Assembly	Hook Adj. Range
385		[3.3lb] 1,50kg	44:1	55,6 [2.19]	385102 (Optional) 375509 (Optional)	385215	[1.36] 34,5
385-R	[7500 lbf] 33300 N	[3.4lb] 1,54kg					
385-L		[3.3lb] 1,50kg					
385-V2A ⓘ	[6000 lbf] 26700 N				Supplied	ⓘ 385915	[1.77] 45

ⓘ This item is available upon request. **EF** = Exerting Force, **AF** = Applied Force

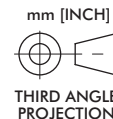
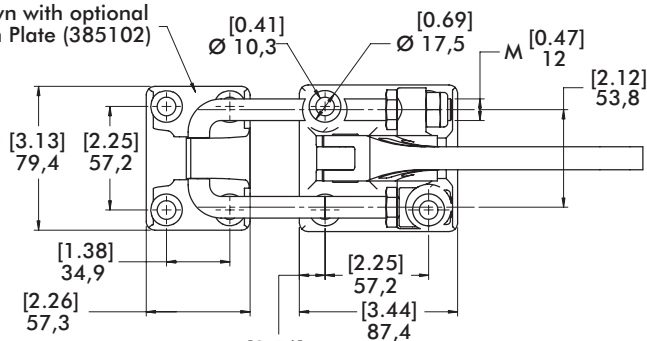
385, 385-R, 385-L SERIES

Pull Action Latch Clamps | Dimensions

385

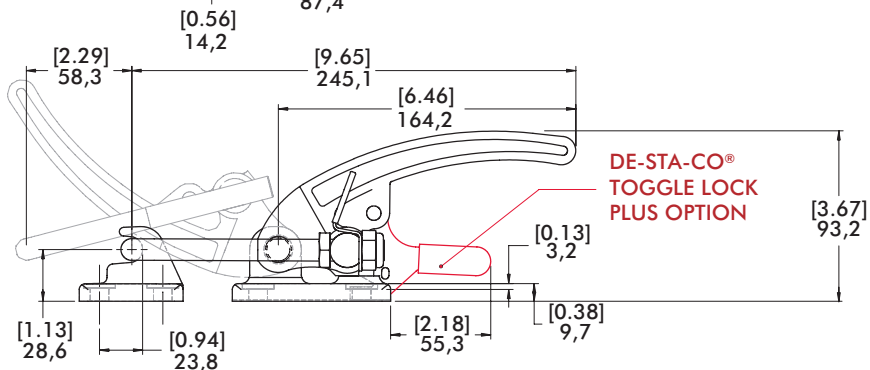
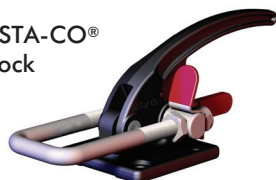


Shown with optional Latch Plate (385102)



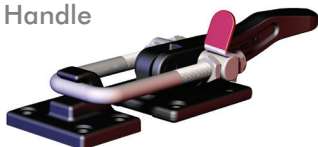
385-R

with DE-STA-CO® Toggle Lock Plus

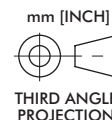
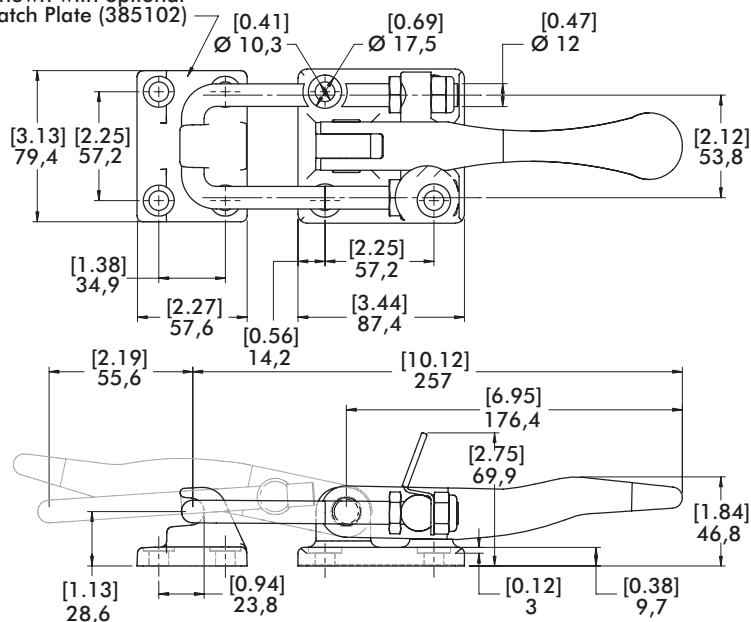


385-L

Low Profile Handle



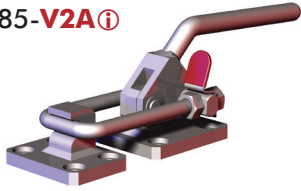
Shown with optional Latch Plate (385102)



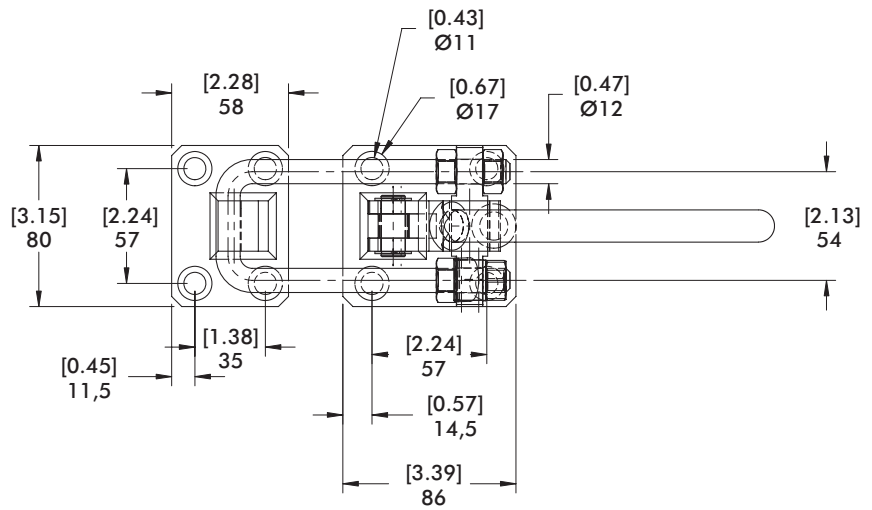
385-V2A SERIES

Pull Action Latch Clamps | Dimensions

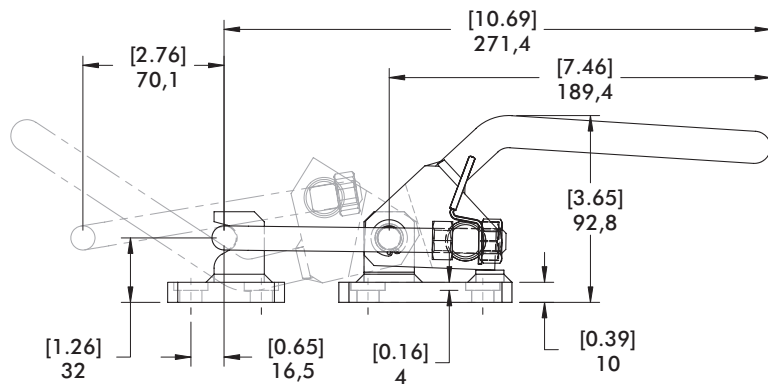
385-V2A



i This item is available upon request



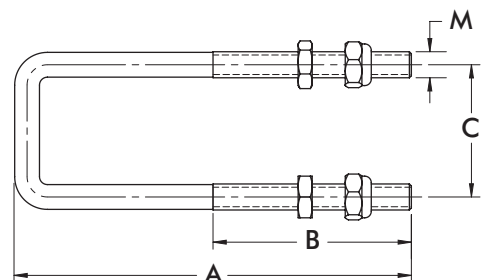
mm [INCH]
THIRD ANGLE PROJECTION



Replacement Hook Assembly	Used on Clamp Model	A	B	C	M	Material
385215	385, 385-R, 385-L	[5.72] 145,3	[2.75] 70	[2.12] 53,8	M12 x 1.75	Steel
385215-M-25 i	385-M-25, 385-R-M-25 385-L-M-25	[6.72] 170,7				
385215-M-50 i	385-M-50, 385-R-M-50 385-L-M-50	[7.72] 196				
385215-M-100 i	385-M-100, 385-R-M-100 385-L-M-100	[9.72] 247				
385915	385-V2A	[5.72] 145,3	[2.75] 70	[2.12] 53,8	M12 x 1.75	Stainless Steel
385915-M-25 i	385-V2A-M-25	[6.72] 170,7				
385915-M-50 i	385-V2A-M-50	[7.72] 196				
385915-M-100 i	385-V2A-M-100	[9.72] 247				

i This item is available upon request.

Replacement Thumb Control Lever	Used on Clamp Model
375-ZB1	375, 375-B 375-R, 375-BR
385-ZB1	385, 385-R 385-L, 385-V2A



324, 334, 344, 374 SERIES

Pull Action Latch Clamps | Product Overview

Features:

- U-hook style latch clamps supplied with threaded U-hooks for easy adjustment
- Supplied with latch plate (except 374) and patented thumb control lever for one handed operation.
- DE-STA-CO® Toggle Lock Plus versions available
- Stainless steel available as **-SS** models.

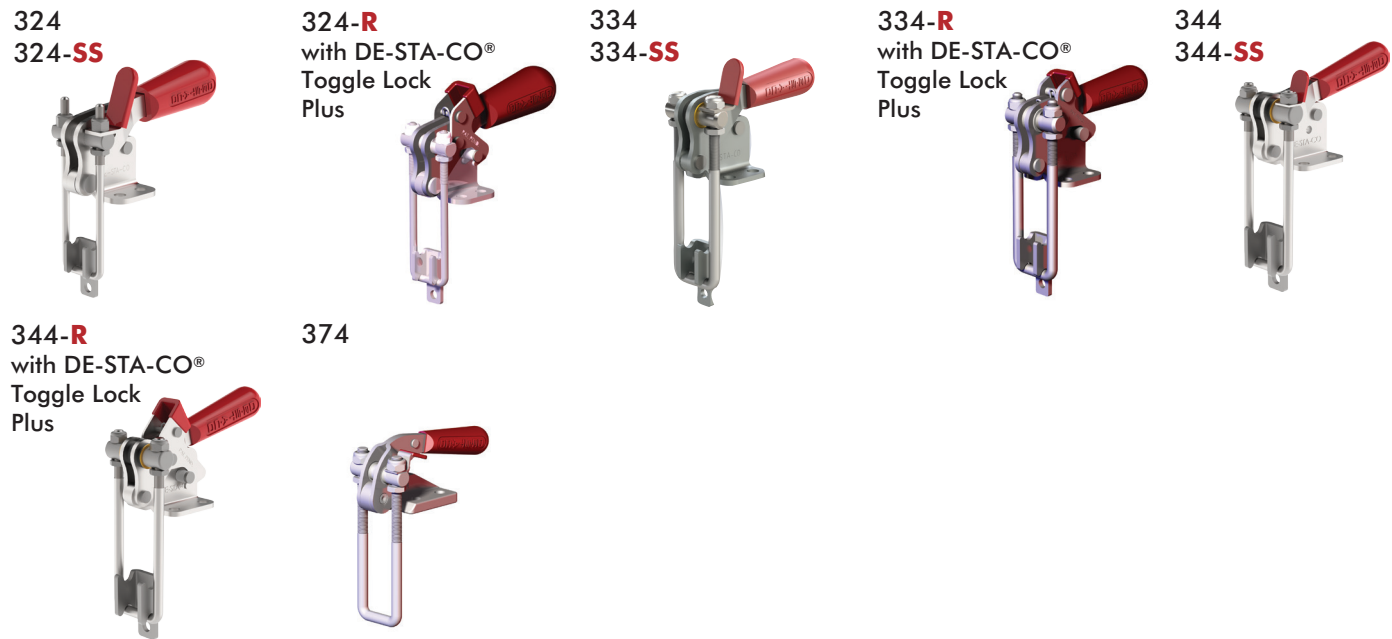
Applications:

- Molding
- Closures for doors, lids, covers
- Assembly

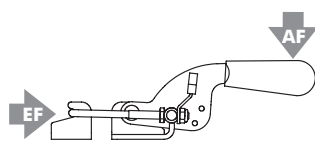
Also Available:

- Clamps with longer hooks available Upon Request that are 25mm, 50mm, 100mm longer than standard length
- To order clamp with longer hook, add **-M-25**, **-M-50**, or **-M-100** to the end of the model. Example: 324-**M-50**

Covered under one or more U.S./International Patents



Technical Information, Holding Capacities



Model	Max. Holding Capacity	Weight	EF:AF	(S) Drawing Movement	Latch Plate (Supplied)	Replacement Hook Assembly	Hook Adj. Range
324	[500 lbf] 2200 N	[0.25lb] 0,11kg	31:1	38,7 [1.53]	324101	324215	11.9 [0.47]
324-SS					324901	324915	
324-R					324101	324215	
334	[1000 lbf] 4450 N	[0.60lb] 0,27kg	45:1	51,7 [2.04]	334101	334915	19.3 [0.76]
334-SS					334901	334915	
334-R					334101	334215	
344	[2000 lbf] 8900 N	[1.50lb] 0,68kg	36:1	44,5 [1.75]	344101	344215	31 [1.22]
344-SS					344901	344915	
344-R					344101	344215	
374	[4000 lbf] 17800 N	[2.10lb] 0,95kg			None*	374215	53.8 [2.12]

EF = Exerting Force, AF = Applied Force *375509 Latch Plate may be used as an alternate.

324, 334, 344, 374 SERIES

Pull Action Latch Clamps | Dimensions | 324/334/374/-SS

324
324-SS



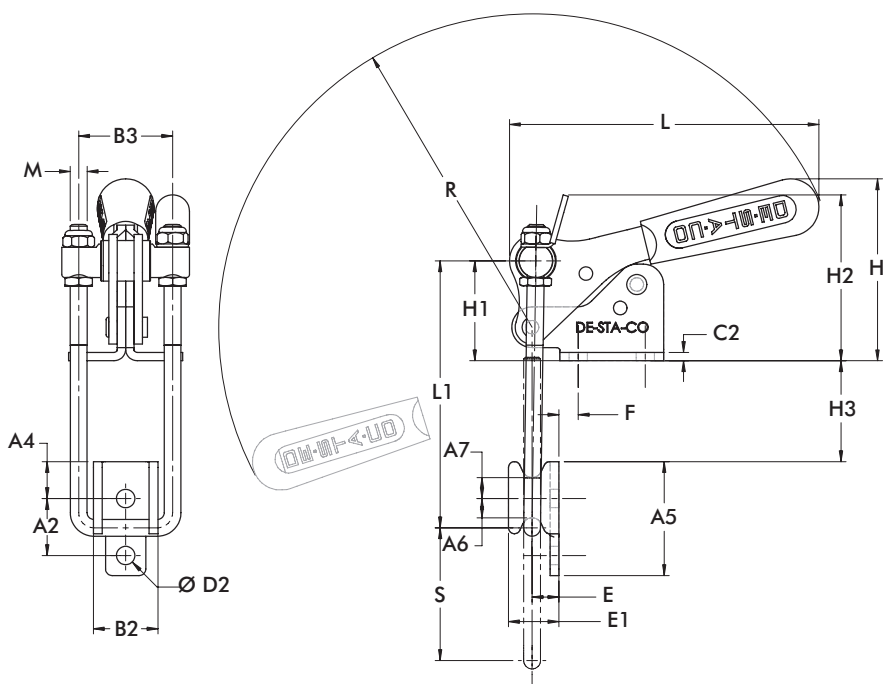
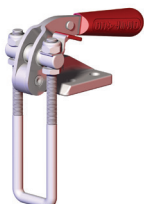
334
334-SS



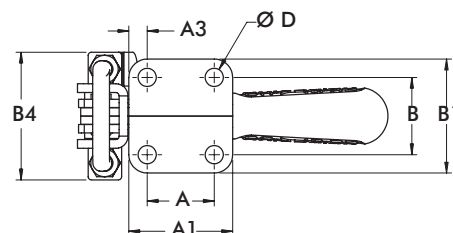
344
344-SS



374



mm [INCH]
THIRD ANGLE PROJECTION



Model	A	A1	A2	A3	A4	A5	A6	A7	B	B1	B2	B3	B4	C2
324	[0.50]	[1.00]	[0.56]	[0.25]	[0.28]	[1.00]	[0.19]	[0.19]	[0.88]	[1.38]	[0.53]	[0.81]	[1.19]	[0.09]
324-SS	12,7	25,4	14,2	6,4	7,1	25,4	4,8	4,8	22,4	35,1	13,5	20,7	30,2	2,4
334	[0.75]	[1.31]	[0.81]	[0.28]	[0.41]	[1.50]	[0.28]	[0.28]	[1.00]	[1.56]	[0.68]	[1.13]	[1.63]	[0.12]
334-SS	19,1	33,3	20,6	7,1	10,4	38,1	7,1	7,1	25,4	39,6	17,4	28,7	41,4	3,1
344		[1.94]	[1.06]	[0.35]	[0.69]	[2.13]	[0.36]	[0.39]	[1.44]	[2.12]	[1.20]		[2.38]	[0.16]
344-SS	[1.25]	49,3	27	8,0	17,5	54	9,1	9,9	36,6	53,8	30,6	[1.75]	60,5	4
374	31,8	[2.43]	--	[0.68]	--	--	--	--	[1.50]	[2.50]	--	44,5	[2.36]	[0.37]
		61,7		17,3					38,1	63,5			60	9,4

Model	ØD	ØD2	F	H	H1	H2	H3	E	E1	L	L1 MAX	R	M	S
324	[0.20]	[0.17]	[0.25]	[1.91]	[1.10]	[1.97]	[0.92]	[0.19]	[0.38]	[3.49]	[2.56]	[3.49]	M4	[1.53]
324-SS	5,1	4,3	6,4	48,5	28	50,1	[23,4]	4,4	9,7	88,7	65,1	88,8 _a		38,7
334	[0.28]	[0.22]	[0.28]	[2,37]	[1.55]	[2.68]	[1.34]	[0.35]	[0.63]	[4.10]	[3.70]	[4.12]	M6	[2.04]
334-SS	7,1	5,6	7,1	60,1	39,3	68	34	8,8	16	104,2	94	104,5		51,8
344	[0.34]	[0.34]	[0.35]	[3.39]	[1.86]	[7.09]	[1.73]	[0.50]	[0.94]	[5.77]	[5.00]	[5.84]	M8	[2.46]
344-SS	8,6	8,6	8,9	86,1	47,3	78,6	49,1	12,7	23,8	146,6	126,9	148,4		62,4
374	[0.41]	--	[0.68]	[2.38]	[1.36]	--	[2.40]	--	--	[6.60]	[6.04]	[6.04]	M10	[1,75]
	10,3		17,3	60,5	34,5		61			167,8	153,5	153,5		44,5

324-R, 334-R, 344-R SERIES

Pull Action Latch Clamps | Dimensions | -R/-SS

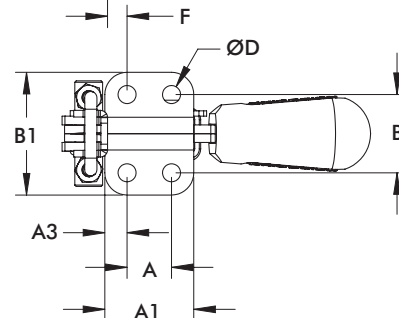
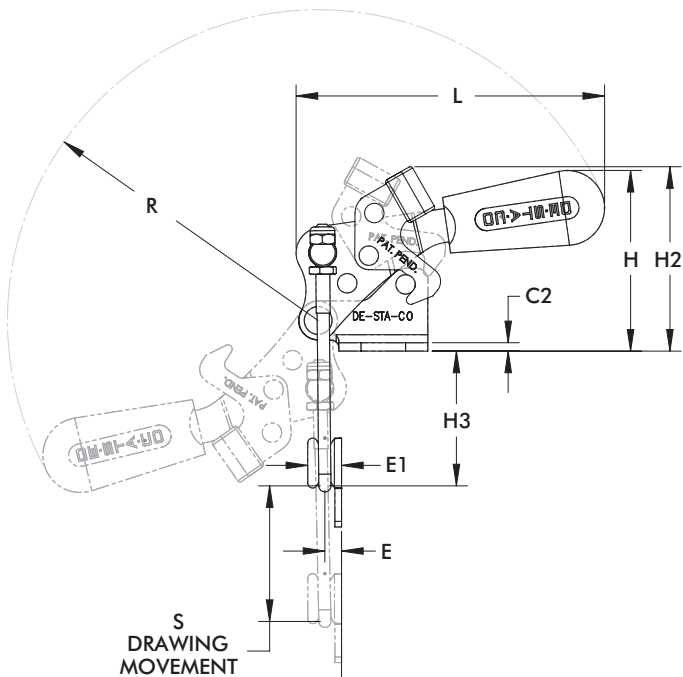
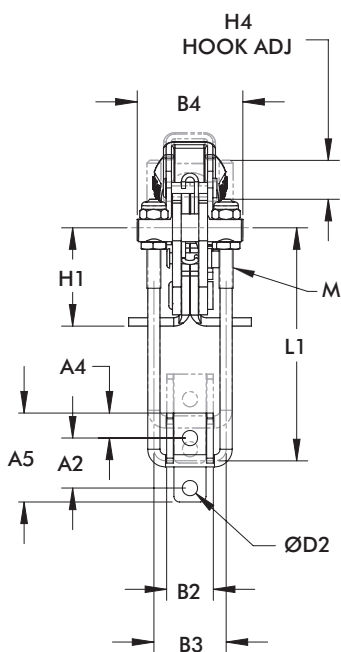
324-R
with DE-STA-CO®
Toggle Lock
Plus



334-R
with DE-STA-CO®
Toggle Lock
Plus



344-R
with DE-STA-CO®
Toggle Lock
Plus



mm [INCH]
THIRD ANGLE PROJECTION

Model	A	A1	A2	A3	A4	A5	B	B1	B2	B3	B4	C2	D
324-R	[.50] 12.7	[1.00] 25.4	[.56] 14.3	[.25] 6.4	[.28] 7.1	[1.00] 25.4	[0.88] 22.4	[1.38] 35.1	[.52] 13.3	[0.81] 20.6	[0.44] 11.1	[0.09] 2.4	[0.20] 5.2
334-R	[.75] 19.1	[1.38] 34.9	[.81] 20.6	[.27] 7.0	[.41] 10.3	[2.13] 54.0	[1.00] 25.4	[1.56] 39.6	[0.68] 17.3	[1.13] 28.6	[1.63] 41.3	[0.12] 3.1	[0.28] 7.1
344-R	[1.25] 31,8	[1.94] 49.1	[1.06] 27.0	[.34] 8.7	[0.69] 17,5	[2.13] 54	[1.44] 36,6	[2.13] 54	[1.21] 30,6	[1.75] 44,5	[2.38] 60,5	[0.16] 4	[0.34] 8.6

Model	D2	E	E1	F	H	H1	H2	H3	H4	L	L1	M	S	R
324-R	[0.17] 4.4	[0.20] 5.2	[0.17] 4.4	[0.22] 5.6	[2.03] 51.6	[1.11] 28.1	[2.07] 52.7	[1.52] 38.5	[.44] 11.1	[3.47] 88.1	[2.62] 66.6	M4	[1.53] 38.7	[3.49] 88.8
334-R	[0.22] 5.6	[0.35] 8.8	[0.63] 15.9	[0.18] 4.5	[2.37] 60.2	[1.55] 39.3	[2.55] 64.7	[2.22] 56.3	[0.86] 21.8	[4.12] 104.6	[3.76] 95.6	M6	[2.04] 51.7	[4.10] 104.2
344-R	[0.34] 8,7	[0.50] 12,7	[0.94] 23,9	[0.36] 9,1	[3.40] 86,5	[1.86] 47,3	[3.39] 86.0	[3.17] 80.8	[1.22] 31	[5.77] 146.5	[5.04] 128.0	M8	[2.46] 62.4	[5.90] 150

324, 334, 344, 374 SERIES

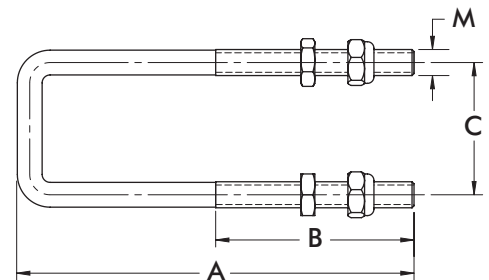
Pull Action Latch Clamps | Replacement Hook Assembly Dimensions

Replacement Hook Assembly	Used on Clamp Model	A	B	C	M	Material
324215	324 324-R	[3.00] 76	[1.00] 25,4	[0.81] 20,6	M4X0.7	Steel
324215-M-25 ⓘ	324-M-25* 324-R-M-25*	[4.00] 101,6				
324215-M-50 ⓘ	324-M-50* 324-R-M-50*	[5.00] 127				
324215-M-100 ⓘ	324-M-100* 324-R-M-100*	[7.00] 178				
324915	334-SS	[3.00] 76	[1.50] 38,1	[1.13] 28,7	M6X1.0	Stainless Steel
324915-M-25 ⓘ	334-SS-M-25*	[4.00] 101,6				
324915-M-50 ⓘ	334-SS-M-50*	[5.00] 127				
324915-M-100 ⓘ	334-SS-M-100*	[7.00] 178				
334215	334 334-R	[4.31] 109,5	[2.25] 57,2	[1.75] 44,5	M8X1.25	Steel
334215-M-25 ⓘ	334-M-25* 334-R-M-25*	[5.31] 135				
334215-M-50 ⓘ	334-M-50* 334-R-M-50*	[6.31] 160,3				
334215-M-100 ⓘ	334-M-100* 334-R-M-100*	[8.31] 211				
334915	334-SS	[4.31] 109,5	[3.25] 82,6	M10X1.50	M10X1.50	Stainless Steel
334915-M-25 ⓘ	334-SS-M-25*	[5.31] 135				
334915-M-50 ⓘ	334-SS-M-50*	[6.31] 160,3				
334915-M-100 ⓘ	334-SS-M-100*	[8.31] 211				
344215	344 344-R	[5.81] 147,5	[3.25] 82,6	M10X1.50	M10X1.50	Steel
344215-M-25 ⓘ	344-M-25* 344-R-M-25*	[6.81] 173				
344215-M-50 ⓘ	344-M-50* 344-R-M-50*	[7.81] 198,5				
344215-M-100 ⓘ	344-M-100* 344-R-M-100*	[9.81] 249,2				
344915	344-SS	[5.81] 147,5	[10.50] 266,5	M10X1.50	M10X1.50	Stainless Steel
344915-M-25 ⓘ	344-SS-M-25*	[6.81] 173				
344915-M-50 ⓘ	344-SS-M-50*	[7.81] 198,5				
344915-M-100 ⓘ	344-SS-M-100*	[9.81] 249,2				
374215	374	[6.50] 165	[10.50] 266,5	M10X1.50	M10X1.50	Steel
374215-M-25 ⓘ	374-M-25*	[7.50] 190,5				
374215-M-50 ⓘ	374-M-50*	[8.50] 216				
374215-M-100 ⓘ	374-M-100*	[10.50] 266,5				

Hook assemblies are supplied with (2) jam nuts and (2) locknuts.

ⓘ This item is available upon request.

Replacement Thumb Control Lever	Used on Clamp Model
324-ZB1	324, 324-SS
334-ZB1	334, 334-SS
344-ZB1	344, 344-SS
375-ZB1	374



301, 311 SERIES

Pull Action Latch Clamps | Product Overview

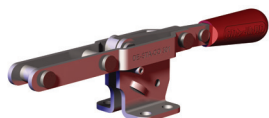
Features:

- Fixed stop automatically limits handle travel at various clamping positions once the clamp is installed
- Model 301 available in stainless steel as 301-SS

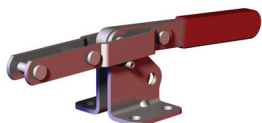
Applications:

- Molding
- Closures for doors, lids, covers
- Assembly

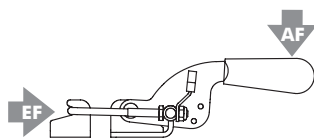
301
301-SS



311

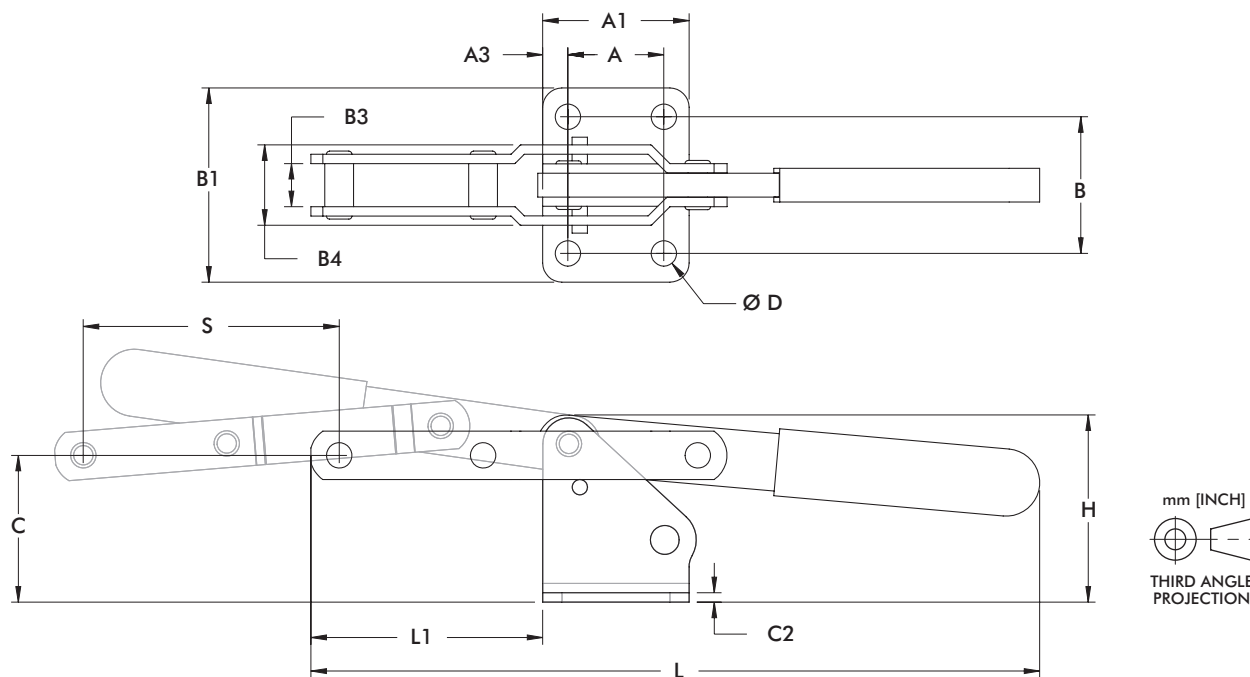


Technical Information, Holding Capacities, Standard Clamp Dimensions



Model	Max. Holding Capacity	Weight	EF:AF	Drawing Movement
301	1670 N [375 lbf]	0,32kg [0.70lb]	29:1	101,6 [4.00]
301-SS	2000 N [450 lbf]			
311	5340 N [1200 lbf]	0,53kg [1.16lb]	31:1	85,9 [3.38]

EF = Exerting Force, AF = Applied Force



Model	A	A1	A3	B	B1	B3	B4	C	C2	ØD	H	L	L1	S
301	[0.75]	[1.38]	[0.32]	[1.25]	[1.75]	[0.56]	[1.04]	[1.52]	[0.12]	[0.28]	[1.91]	[8.33]	[3.04]	[4.00]
301-SS	19,1	35,1	8	31,8	44,5	14,1	26,4	38,6	3,1	7,1	48,4	211,5	77,1	101,6
311	[1.25]	[1.91]	[0.33]	[1.78]	[2.53]	[0.56]	[1.05]	[1.91]	[0.12]	[0.33]	[2.44]	[9.49]	[3.02]	[3.88]
	31,8	48,4	8,3	45,2	64,3	14,3	26,6	48,6	3,1	8,4	61,9	241,2	76,7	85,9

3011 SERIES

Pull Action Latch Clamps | Product Overview

Features:

- Heavy duty cast steel or stainless steel construction with ergonomic handle
- Replaceable stainless steel pivot pins

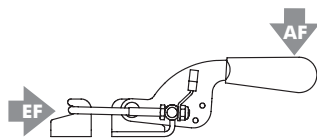
Applications:

- Molding
- Closures for doors, lids, covers
- Assembly

3011

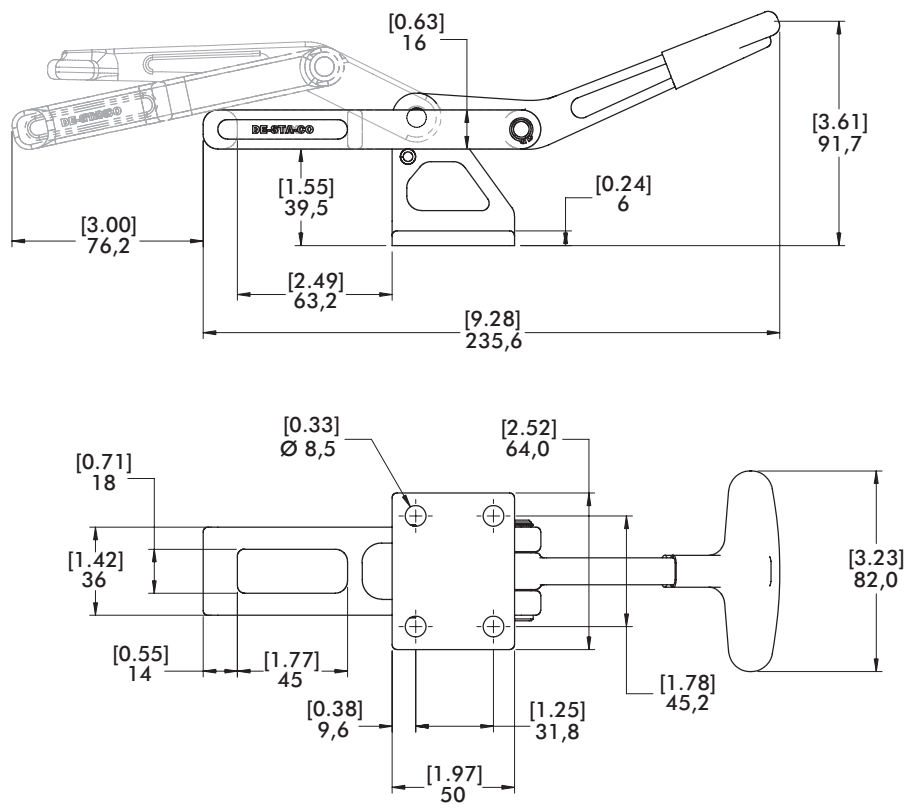


Technical Information, Holding Capacities, Standard Clamp Dimensions



Model	Max. Holding Capacity	Weight	EF:AF	Drawing Movement
3011	8900 N [2000 lbf]	0,91kg [2.00lb]	31:1	76,2 [3.00]

EF = Exerting Force, AF = Applied Force



353 SERIES

Pull Action Latch Clamps | Product Overview

Features:

- Heavy duty cast steel clamps are designed to withstand the harshest environments
- Ideally suit for parting line clamping of rotational molds
- Replaceable stainless steel pivot pins

Applications:

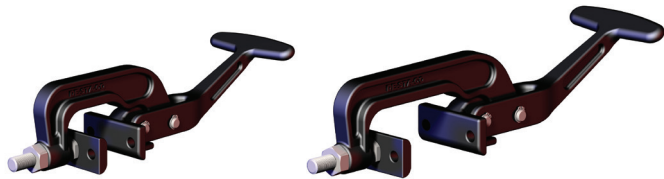
- Molding
- Closures for doors, lids, covers

Also Available:

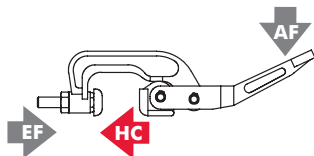
- Keeper plate
- Papered bolt assembly

353-35

353-65



Technical Information, Holding Capacities



Model	Max. Holding Capacity	Weight	EF:AF	Drawing Movement	L	K	Keeper Plate (included)	Tapered Bolt Assembly (included)
353-35	[2800 lbf] 12460 N	[2.10lb] 0,95kg	23:1	12 [0.47]	[9.50] 241,5	[1.38] 35	353004	353908
353-65	[2100 lbf] 9350 N	[2.30lb] 1,04kg	27:1		[10.69] 271,5	[2.56] 65	353004	

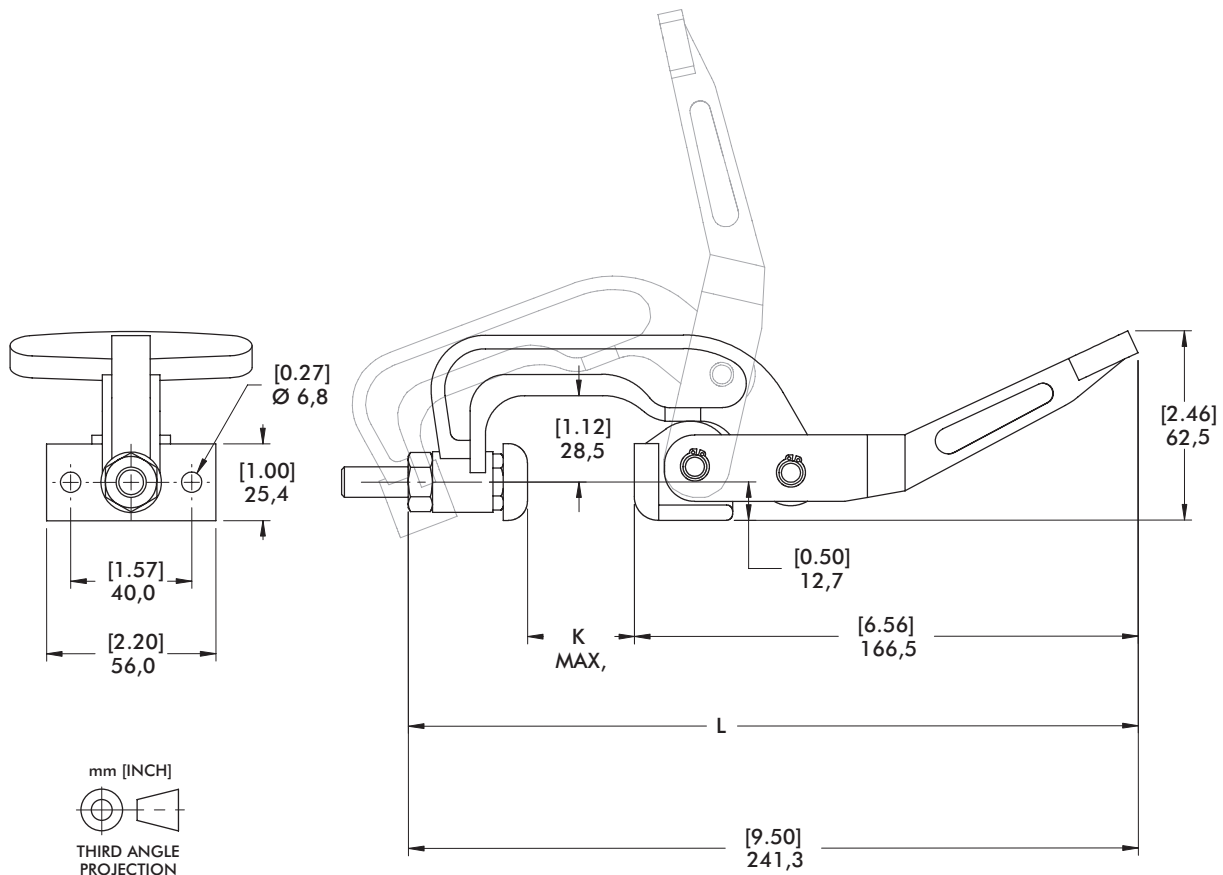
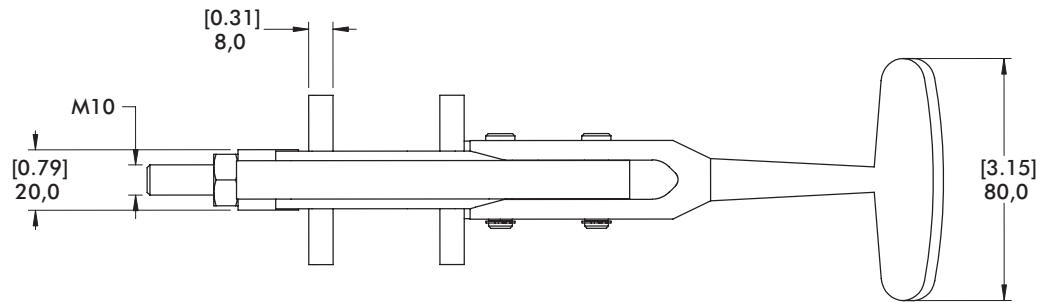
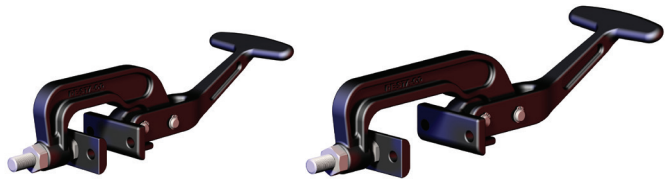
EF = Exerting Force, AF = Applied Force

353 SERIES

Pull Action Latch Clamps | Dimensions

353-35

353-65



mm [INCH]
THIRD ANGLE PROJECTION