



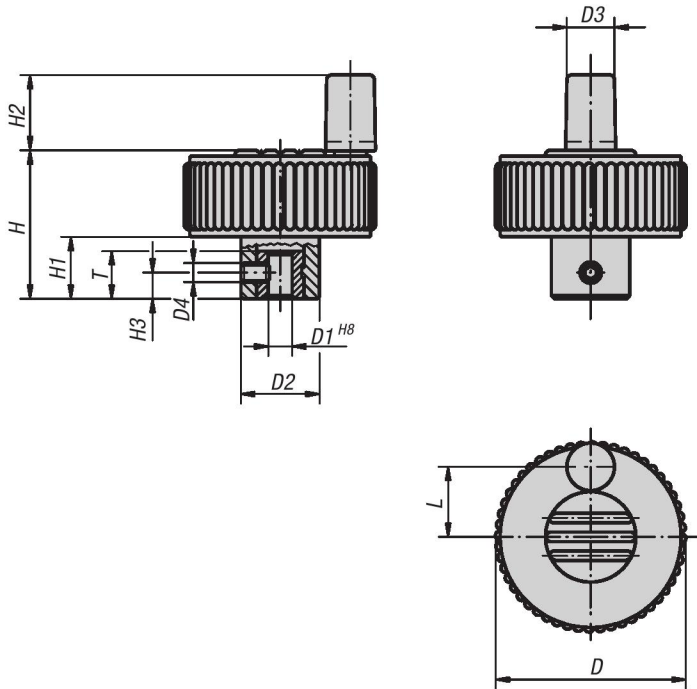
Positioning Wheels

INCH
Parts

METRIC
Parts

Style H
without tapped set screw hole

Style M
with tapped set screw hole and set screw



Attractive design and excellent ergonomic features make this Positioning Wheel a trendsetting product. Novo-Grip Positioning Wheels are durable, eye appealing and offer firm, a safe grip. Novo-Grip Positioning Wheels improve ease and performance in all applications.

Material:
Handle black gray thermoplastic, bushing in steel quality class 5.8.

Type:
Steel blue chromate.

Part Number Example:
K0262.21066 (wheel cap color traffic red)

Note:
Δ Add the desired wheel cap color here; no color code is required with black gray wheel caps



KIPP Positioning Wheels, inch

Item No.	Style	Size	D	D1	D2	D3	D4	H	H1	H2	H3	L	T
K0262.21CMA	H	1	40	.250	16.5	10	-	31	13	16	-	15	10
K0262.22CMA	H	2	50	.250	18	10	-	36	15	16	-	18.5	10
K0262.23CNA	H	3	63	.312	22	10	-	41	17	16	-	25	14
K0262.11CMA	M	1	40	.250	16.5	10	M4	31	13	16	5.5	15	10
K0262.12CMA	M	2	50	.250	18	10	M4	36	15	16	5.5	18.5	10
K0262.13CNA	M	3	63	.312	22	10	M4	41	17	16	8	25	14

KIPP Positioning Wheels, metric

Item No.	Style	Size	D	D1	D2	D3	D4	H	H1	H2	H3	L	T
K0262.2106Δ	H	1	40	6	16,5	10	-	31	13	16	-	15	10
K0262.2206Δ	H	2	50	6	18	10	-	36	15	16	-	18,5	10
K0262.2308Δ	H	3	63	8	22	10	-	41	17	16	-	25	14
K0262.1106Δ	M	1	40	6	16,5	10	M4	31	13	16	5,5	15	10
K0262.1206Δ	M	2	50	6	18	10	M4	36	15	16	5,5	18,5	10
K0262.1308Δ	M	3	63	8	22	10	M4	41	17	16	8	25	14