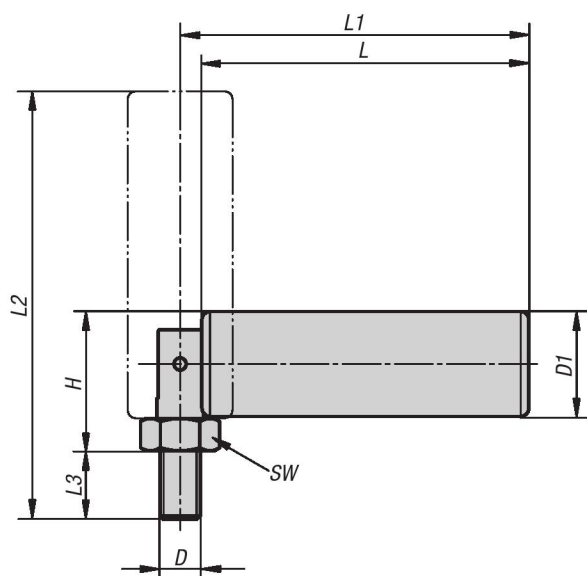


Cylindrical grips fold-down

METRIC
Parts

New Item

**Material:**

Grip thermoplastic.
Steel parts black oxide finish.

Type:

Black satin finished.

Part Number Example:

K0775.10260890

Note:

Cylindrical grips can be screwed onto our handwheels, crank handles etc.

KIPP Cylindrical grips fold-down, metric

Item No.	D	D1	SW	L	L1	L2	L3	H
K0775.06200490	M6	20	10	49	53	63,0	9	24,5
K0775.08250690	M8	25	13	70	74	87,5	11	28,0
K0775.10260890	M10	26	17	90	96	114,0	16	34,0