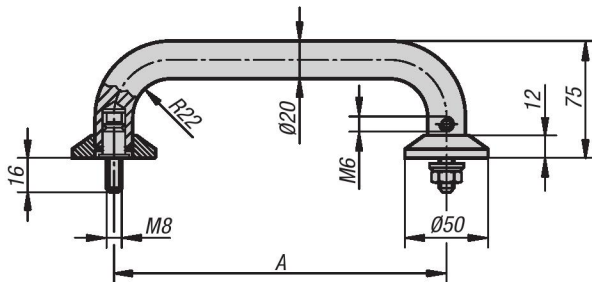


Pull Handles

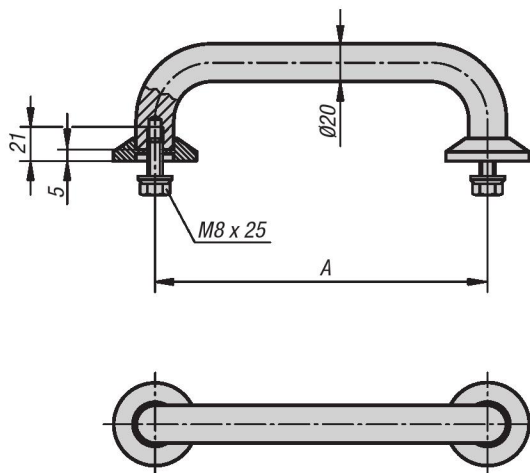
stainless steel, with cover plates



Style A
Front mounted



Style B
Rear mounted



Material:

Handle in stainless steel 1.4305;
fastening material 1.4301

Type:

Ground and satin brushed finish.

Part Number Example:

K0215.2001

Note:

These pull handles are ideal for all technical applications where top load rating and high chemical or corrosive stress resistance is required.

KIPP Pull Handles, stainless steel, with cover plates, metric

Item No.	Style	A	Load capacity N
K0215.2001	A	200	1000
K0215.2501	A	250	1000
K0215.2002	B	200	1000
K0215.2502	B	250	1000