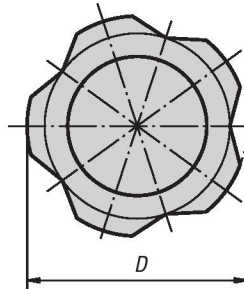
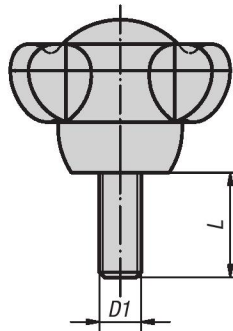
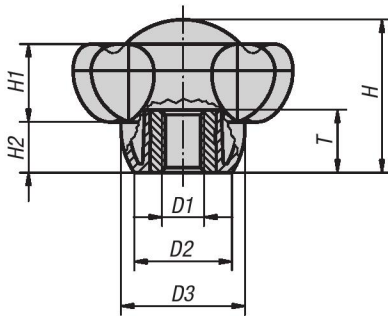


Five Lobe Grips

INCH
PartsMETRIC
Parts

Modern design and hi-tech engineering technology make Kipp's Novo-Grip line pleasing to the eye and highly functional.

Novo-Grip Five Lobe Grips are a cost effective alternative to make customers' products stand out!

Material:

Thermoplastic black gray.
Bushing and threaded bolt steel 5.8 or stainless steel 1.4305.

Type:

Steel blue chromate or stainless steel natural finish.

Part Number Example:

K0255.50106X30
(cap color traffic red; include length L)

Note:

The screw lengths 15, 35 and 45 are not available in stainless steel.

Δ Add the desired grip cap color here; no color code is required with black gray grip caps

Five Lobe Grips



KIPP Five Lobe Grips, internal thread, inch

Item No. bushing steel	Item No. bushing stainless steel	D	D1	D2	D3	H	H1	H2	T
K0255.50A3Δ	K0255.50A31Δ	50	5/16-18	22.2	28.2	34.8	17.8	11.5	14
K0255.50A4Δ	K0255.50A41Δ	50	3/8-16	22.2	28.2	34.8	17.8	11.5	14
K0255.50A5Δ	K0255.50A51Δ	50	1/2-13	22.2	28.2	34.8	17.8	11.5	18
K0255.63A4Δ	K0255.63A41Δ	63	3/8-16	28	35.5	44	22.5	14.5	14
K0255.63A5Δ	K0255.63A51Δ	63	1/2-13	28	35.5	44	22.5	14.5	18
K0255.63A6Δ	-	63	5/8-11	28	35.5	44	22.5	14.5	18

KIPP Five Lobe Grips, external thread, inch

Item No. bolt steel	Item No. bolt stainless steel	D	D1	D2	D3	H	H1	H2	L
K0255.50A4ΔX	K0255.50A41ΔX	50	3/8-16	22.2	28.2	34.8	17.8	11.5	20/40
K0255.50A5ΔX	-	50	1/2-13	22.2	28.2	34.8	17.8	11.5	30/60
K0255.63A4ΔX	K0255.63A41ΔX	63	3/8-16	28	35.5	44	22.5	14.5	20/40
K0255.63A5ΔX	-	63	1/2-13	28	35.5	44	22.5	14.5	30/60

KIPP Five Lobe Grips, internal thread, metric

Item No. bushing steel	Item No. bushing stainless steel	D	D1	D2	D3	H	H1	H2	T
K0255.5008Δ	K0255.50081Δ	50	M8	22,2	28,2	34,8	17,8	11,5	14
K0255.5010Δ	K0255.50101Δ	50	M10	22,2	28,2	34,8	17,8	11,5	14
K0255.5012Δ	K0255.50121Δ	50	M12	22,2	28,2	34,8	17,8	11,5	18
K0255.6310Δ	K0255.63101Δ	63	M10	28	35,5	44	22,5	14,5	14
K0255.6312Δ	K0255.63121Δ	63	M12	28	35,5	44	22,5	14,5	18
K0255.6316Δ	-	63	M16	28	35,5	44	22,5	14,5	18

KIPP Five Lobe Grips, external thread, metric

Item No. bolt steel	Item No. bolt stainless steel	D	D1	D2	D3	H	H1	H2	L
K0255.5010ΔX	K0255.50101ΔX	50	M10	22,2	28,2	34,8	17,8	11,5	15/20/25/30/35/40/45/50/60
K0255.5012ΔX	-	50	M12	22,2	28,2	34,8	17,8	11,5	15/20/25/30/35/40/45/50/60
K0255.6310ΔX	K0255.63101ΔX	63	M10	28	35,5	44	22,5	14,5	20/25/30/35/40/45/50/60
K0255.6312ΔX	-	63	M12	28	35,5	44	22,5	14,5	20/25/30/35/40/45/50/60